

[54] TUMBLER OR SIMILAR ARTICLE

[76] Inventor: Joost R. Ritman, Bloemgracht 15-19, 1016 KB Amsterdam, Netherlands

[**] Term: 14 Years

[21] Appl. No.: 539,373

[22] Filed: Oct. 5, 1983

[30] Foreign Application Priority Data

Apr. 6, 1983 [DE] Fed. Rep. of Germany URA 391/83

[52] U.S. Cl. D7/14

[58] Field of Search D7/6, 11, 14, 15; D9/429, 428, 410, 405

[56] References Cited

U.S. PATENT DOCUMENTS

- D. 19,694 3/1890 Proeger D7/6
- D. 46,646 11/1914 Whipple D7/14
- D. 47,721 8/1915 Haley D7/14
- D. 64,368 4/1924 Oldham D7/14
- D. 81,984 9/1930 Kirkpatrick D7/14
- D. 112,983 1/1939 Bryce D7/14

- D. 238,541 1/1976 Benes D7/6
- D. 260,839 9/1981 Durand D7/14

FOREIGN PATENT DOCUMENTS

134201 7/1933 Austria D7/6 X

Primary Examiner—Winifred E. Hermann
Attorney, Agent, or Firm—Allegretti, Newitt, Witcoff & McAndrews

[57] CLAIM

The ornamental design for a tumbler or similar article, as shown and described.

DESCRIPTION

FIG. 1 is a top perspective view of a tumbler or similar article showing my new design;
 FIG. 2 is a top plan view thereof;
 FIG. 3 is a side elevational view thereof;
 FIG. 4 is a bottom plan view thereof;
 FIG. 5 is a sectional view thereof taken along line 5—5 of FIG. 2;
 FIG. 6 is a sectional view thereof taken along line 6—6 of FIG. 2; and
 FIG. 7 is a sectional view thereof taken along line 7—7 of FIG. 3.

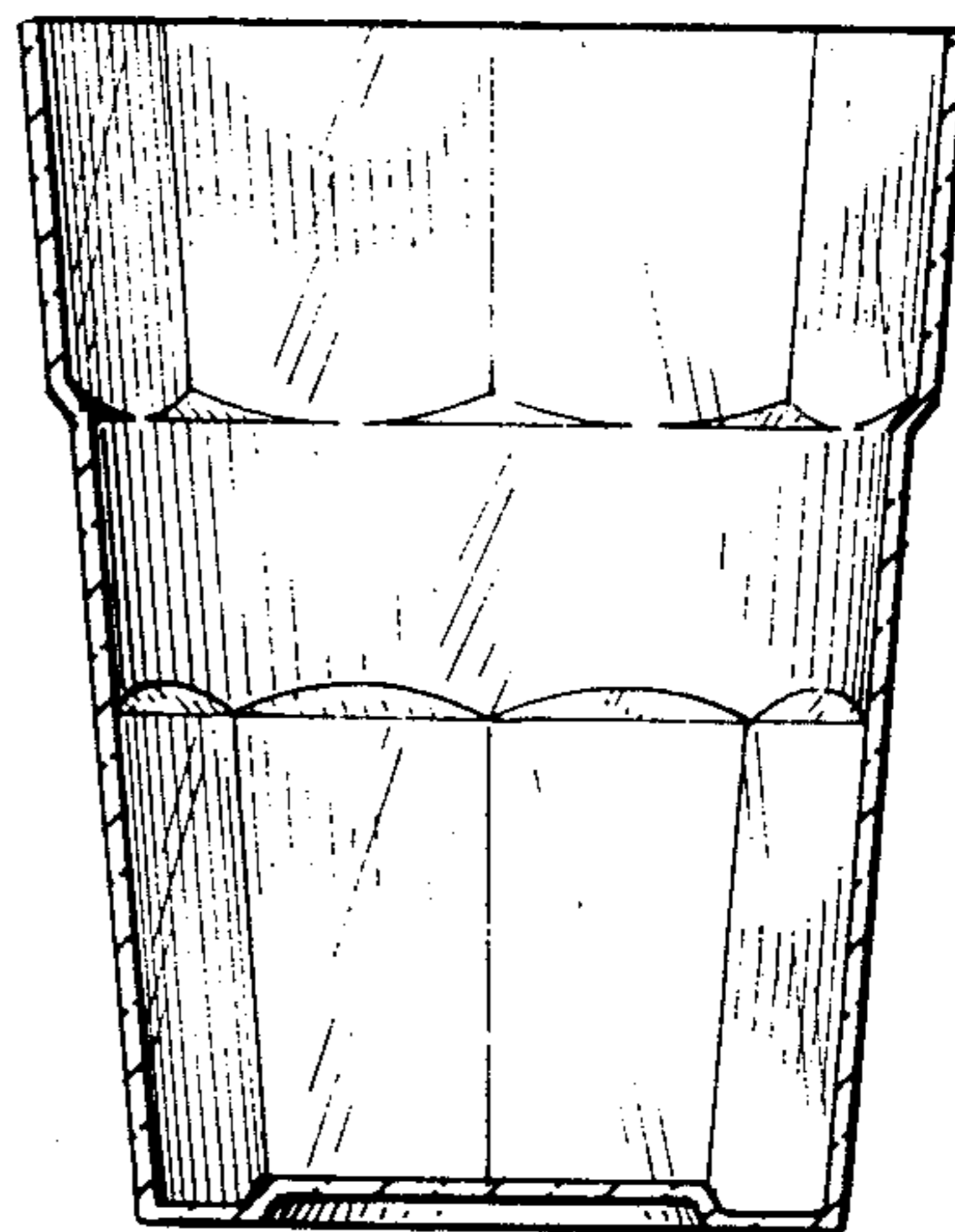
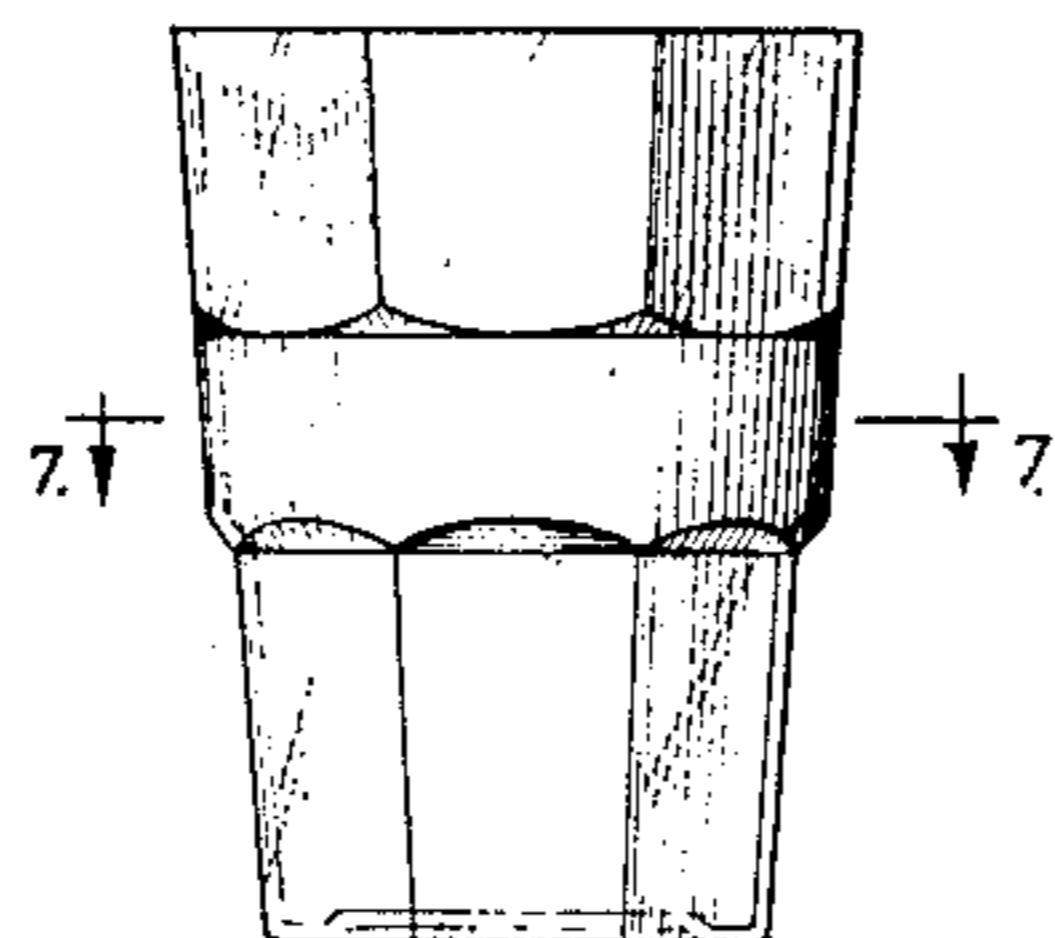
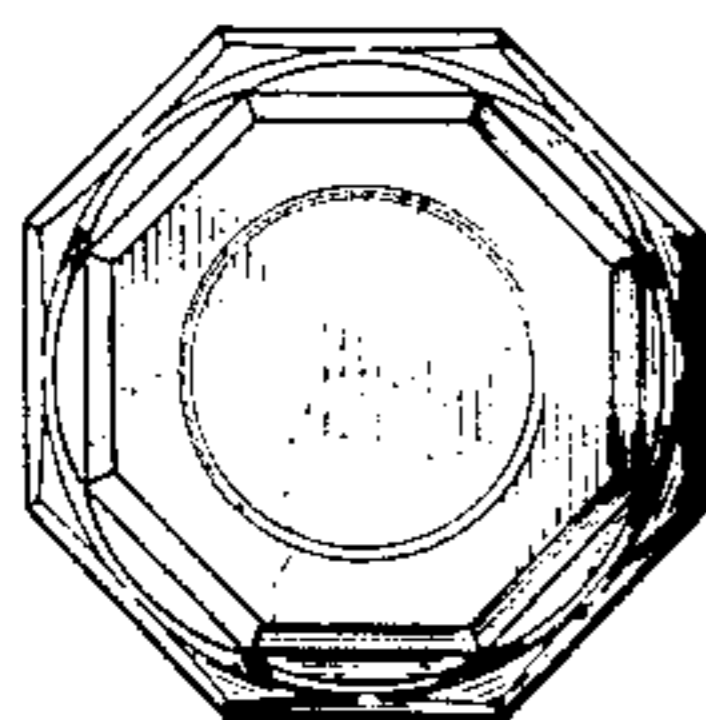
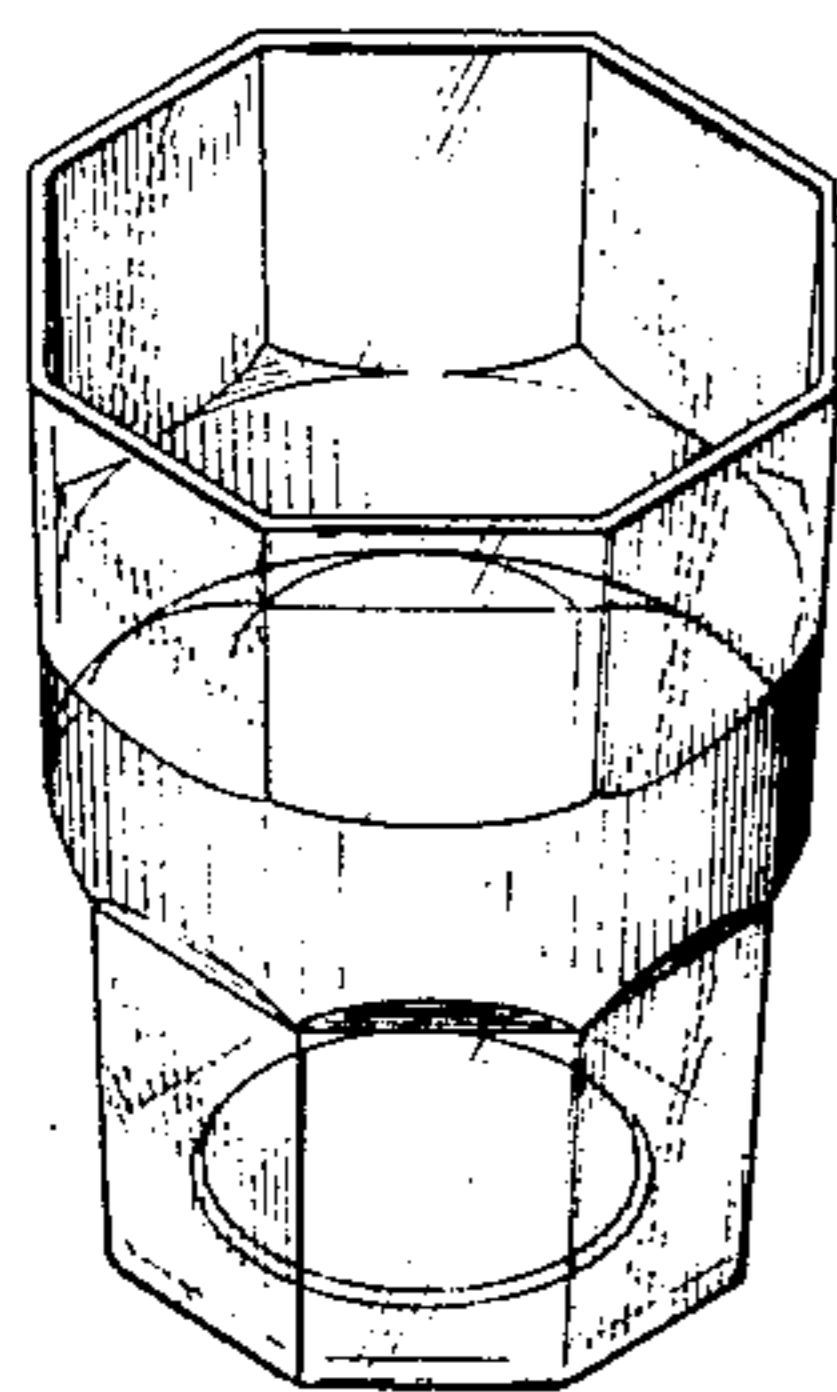


Fig. 1

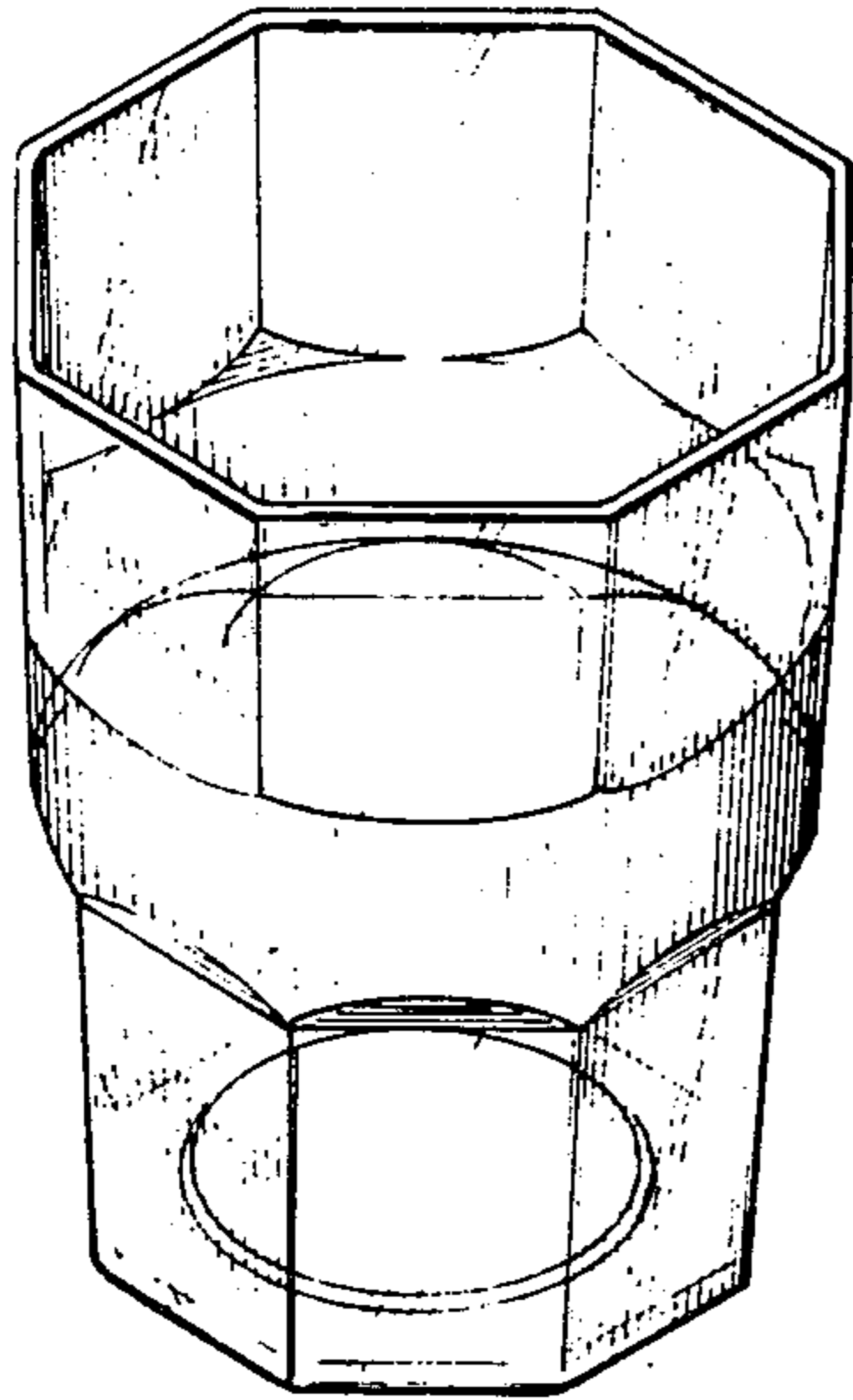


Fig. 2

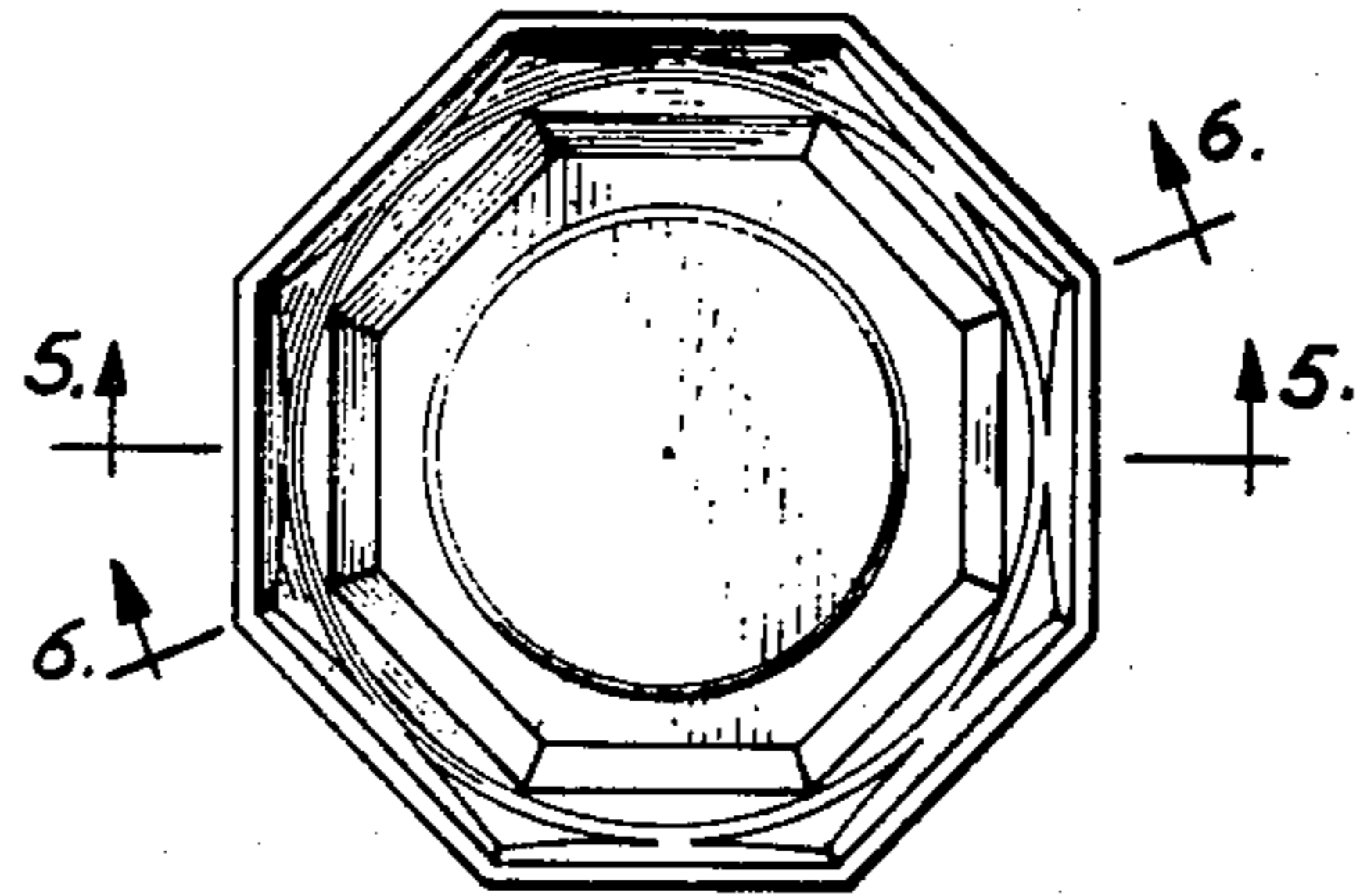


Fig. 3

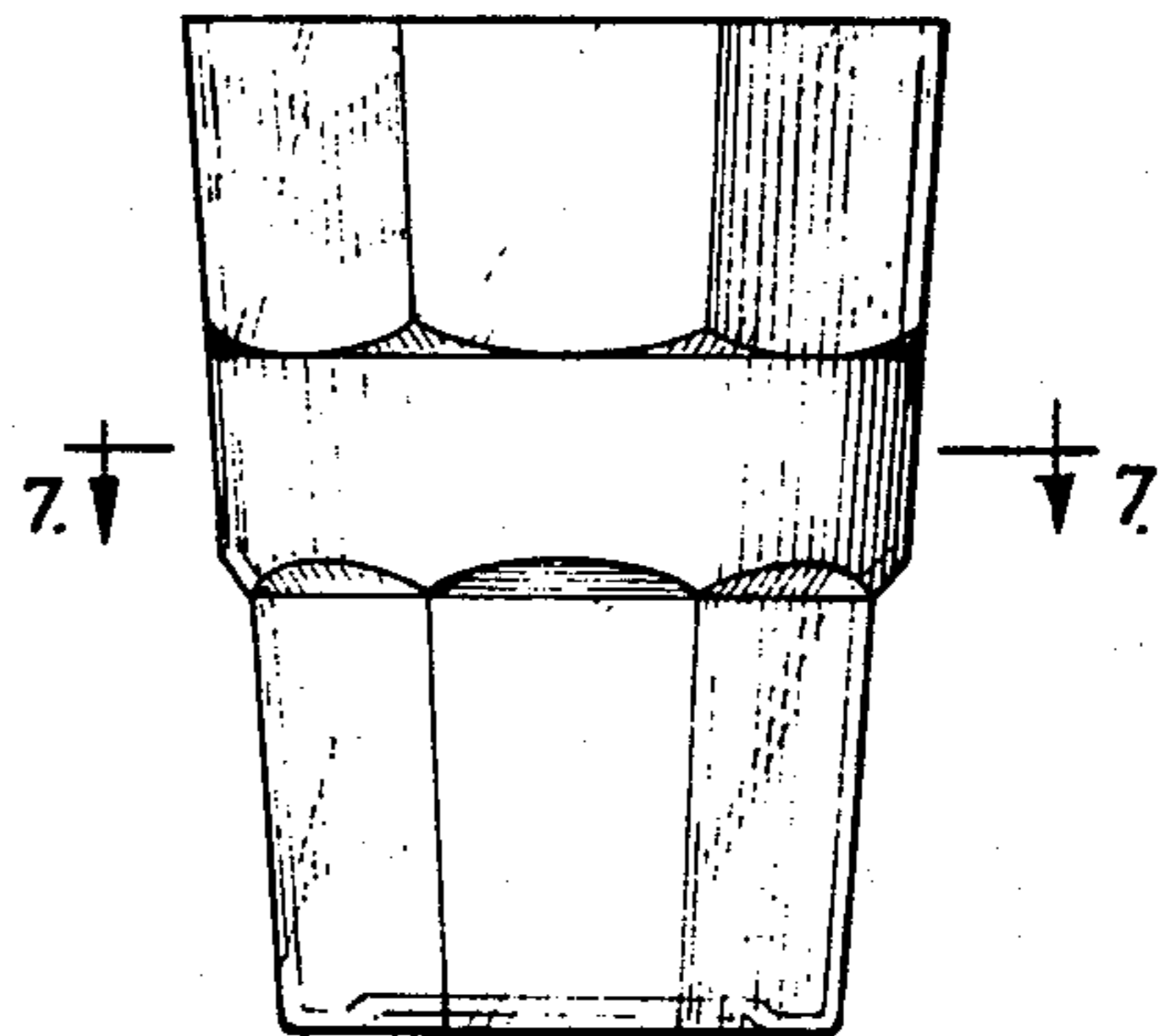


Fig. 4

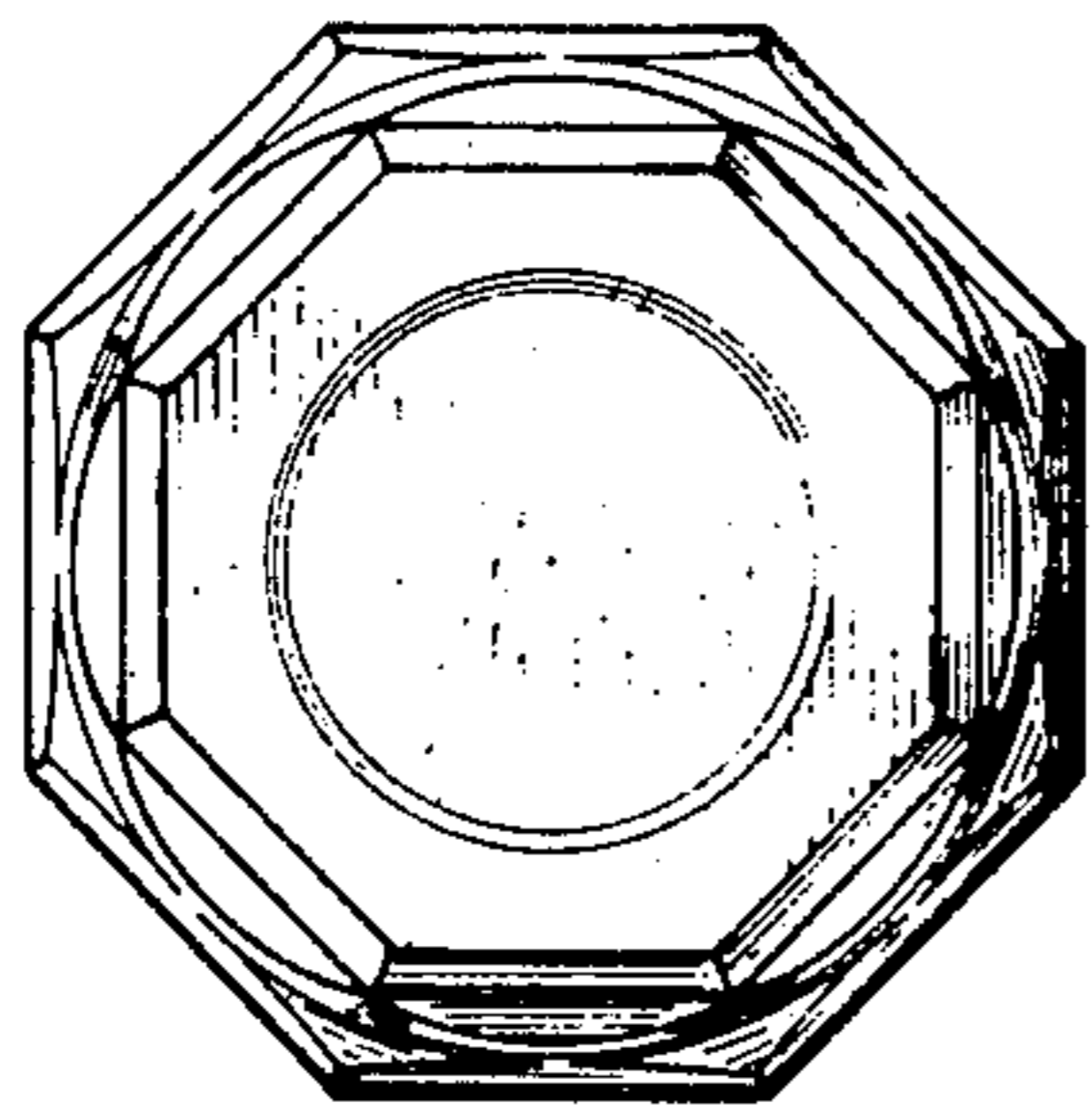


Fig. 5

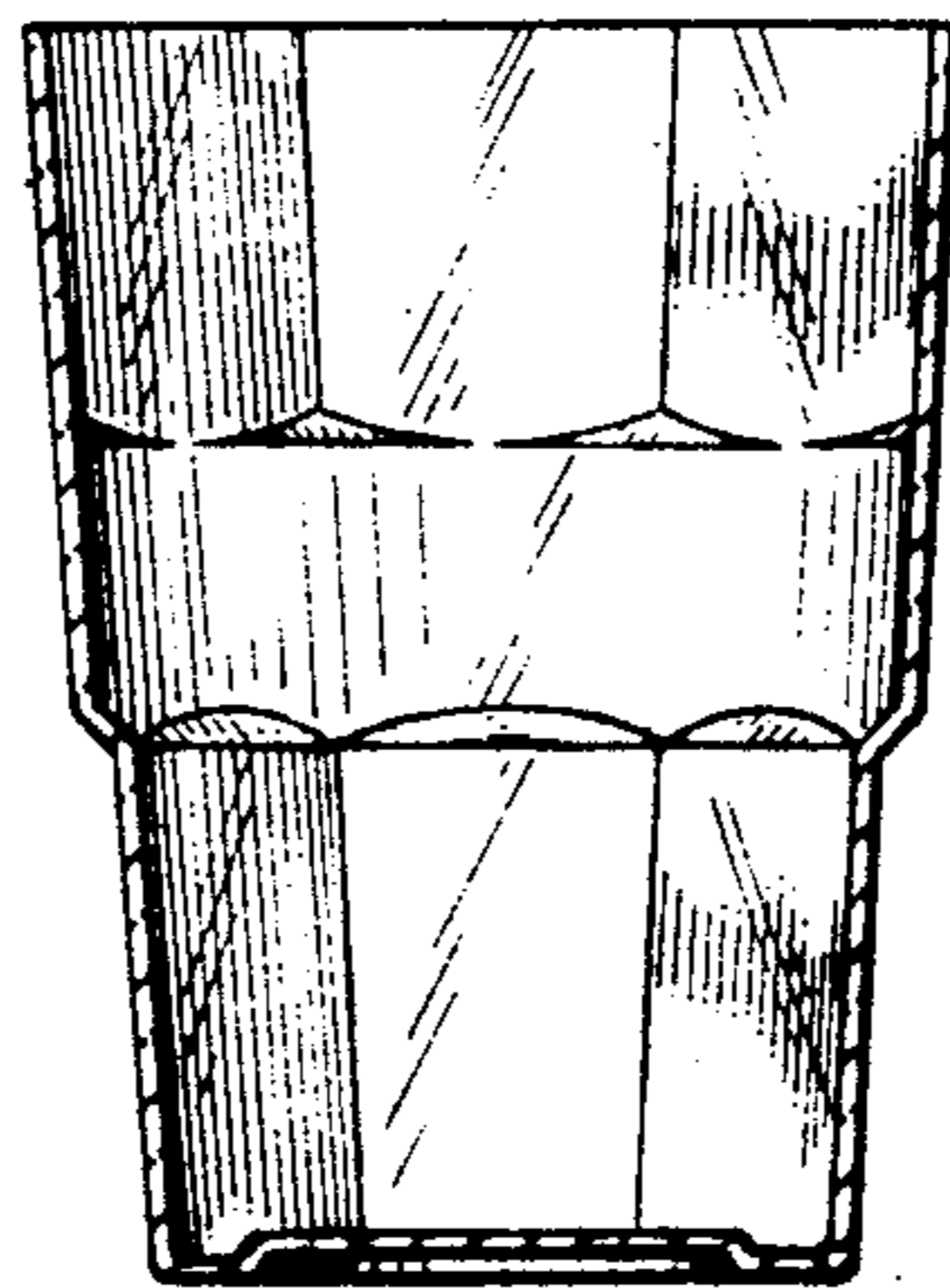


Fig. 6

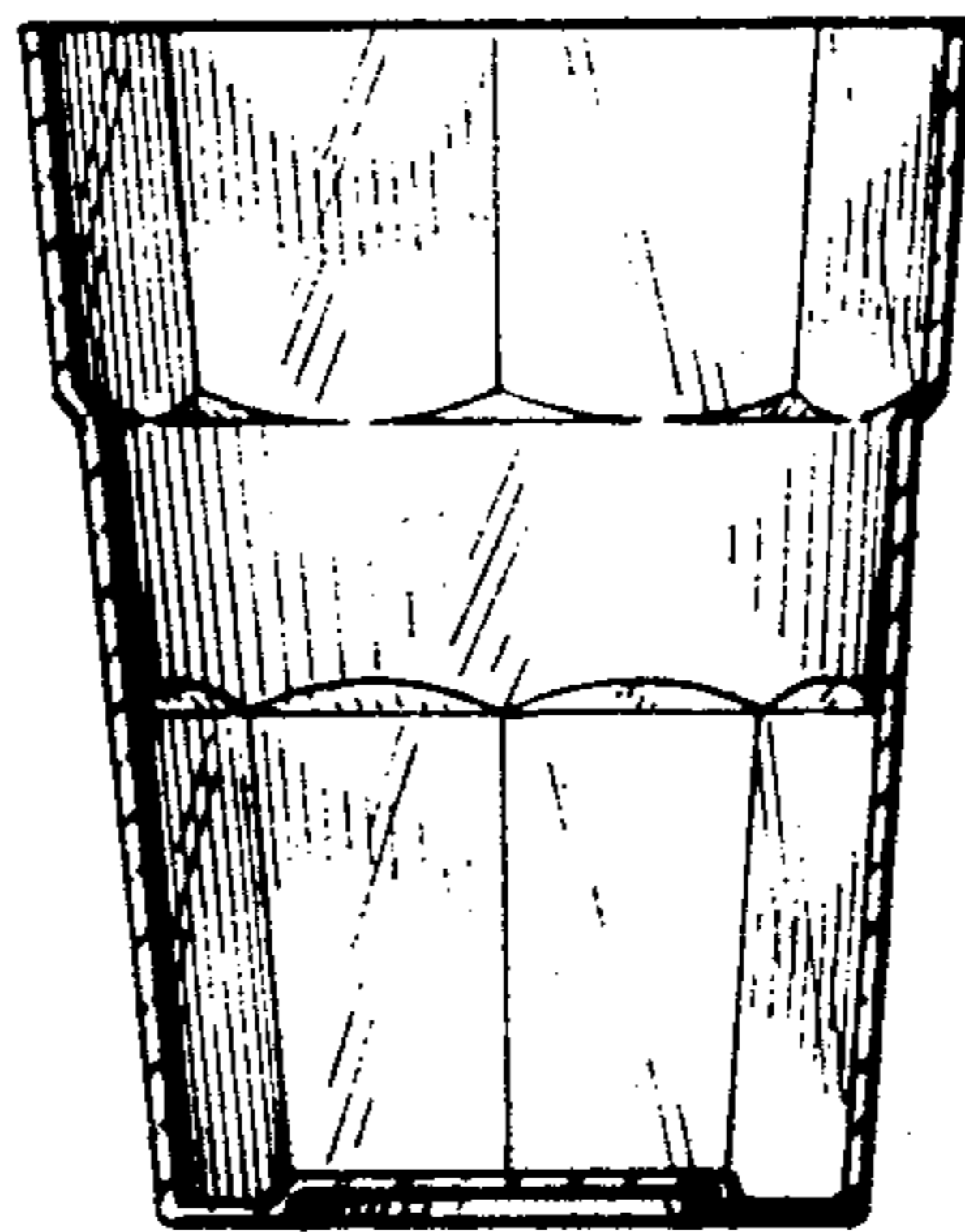


Fig. 7

