

[54] **CONNECTING BRACKET FOR FURNITURE**

[76] **Inventor: James Van Horn, Rte. 2, Box 166, Mundelein, Ill. 60060**

[\*\*] **Term: 14 Years**

[21] **Appl. No.: 544,275**

[22] **Filed: Oct. 21, 1983**

[52] **U.S. Cl. .... D6/191; D8/394**

[58] **Field of Search ..... D6/491; D8/382, 394; 5/295; 403/230, 235, 236, 205, 403; 248/245**

[56] **References Cited**

**U.S. PATENT DOCUMENTS**

D. 178,133	6/1956	Lurie .....	D8/394
D. 228,738	10/1973	Albrizzi .....	D8/394
D. 270,883	10/1983	Hultberg .....	D6/491
3,051,517	8/1962	Yalen .....	403/403
3,871,784	3/1975	Van Horn .....	403/236

**FOREIGN PATENT DOCUMENTS**

2826154 12/1979 Fed. Rep. of Germany ..... 403/205  
0450657 4/1968 Switzerland ..... 248/245

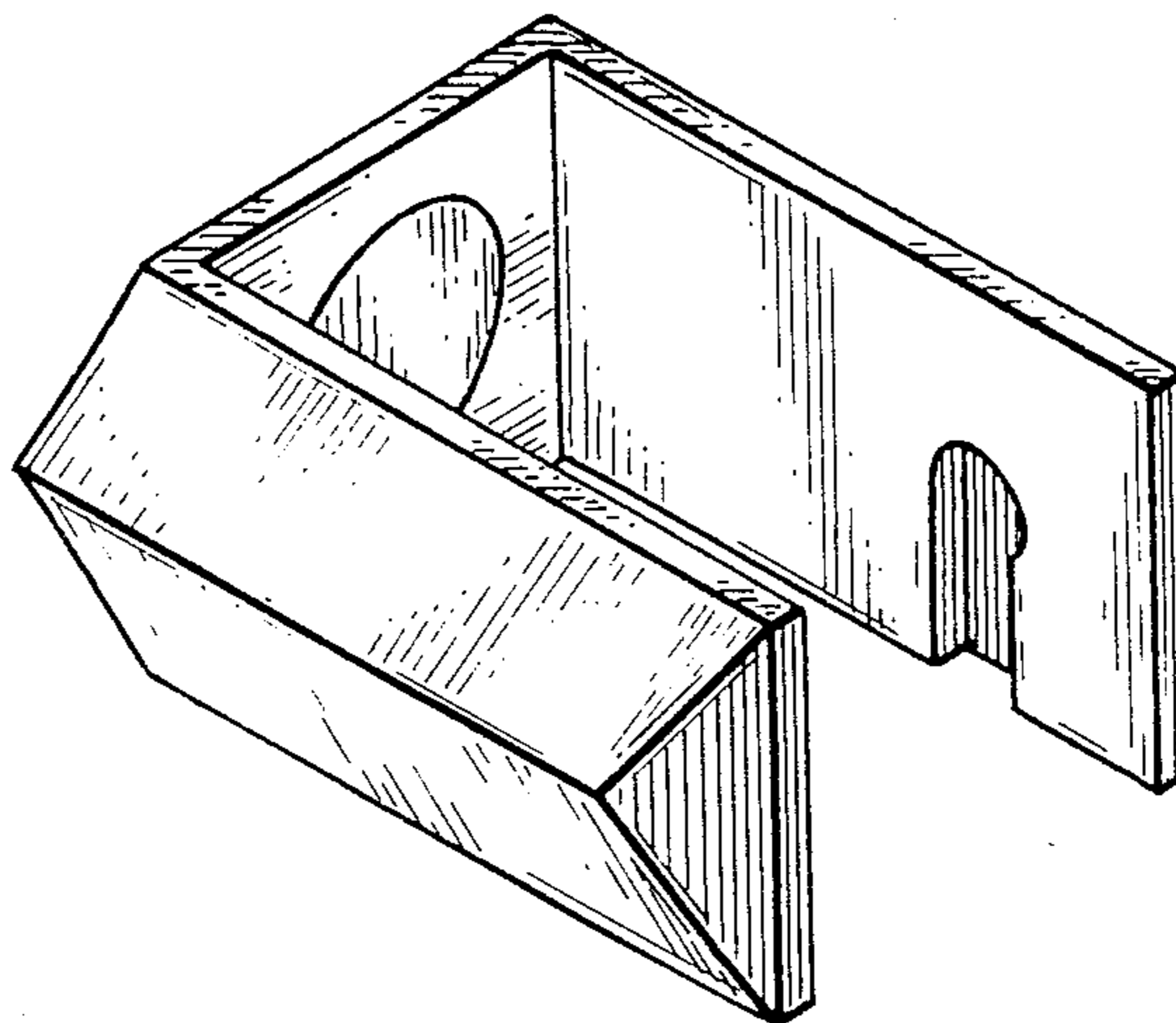
*Primary Examiner*—B. J. Bullock  
*Attorney, Agent, or Firm*—Gildo E. Fato

[57] **CLAIM**

The ornamental design for a connecting bracket for furniture, substantially as shown and described.

**DESCRIPTION**

FIG. 1 is a perspective view of the connecting bracket for furniture showing my new design, the inner wall opposite that shown is a mirror image;  
FIG. 2 is a top plan view thereof;  
FIG. 3 is a bottom plan view thereof;  
FIG. 4 is a front elevational view thereof;  
FIG. 5 is a rear elevational view thereof;  
FIG. 6 is a left side elevational view thereof; and  
FIG. 7 is a right side elevational view thereof.



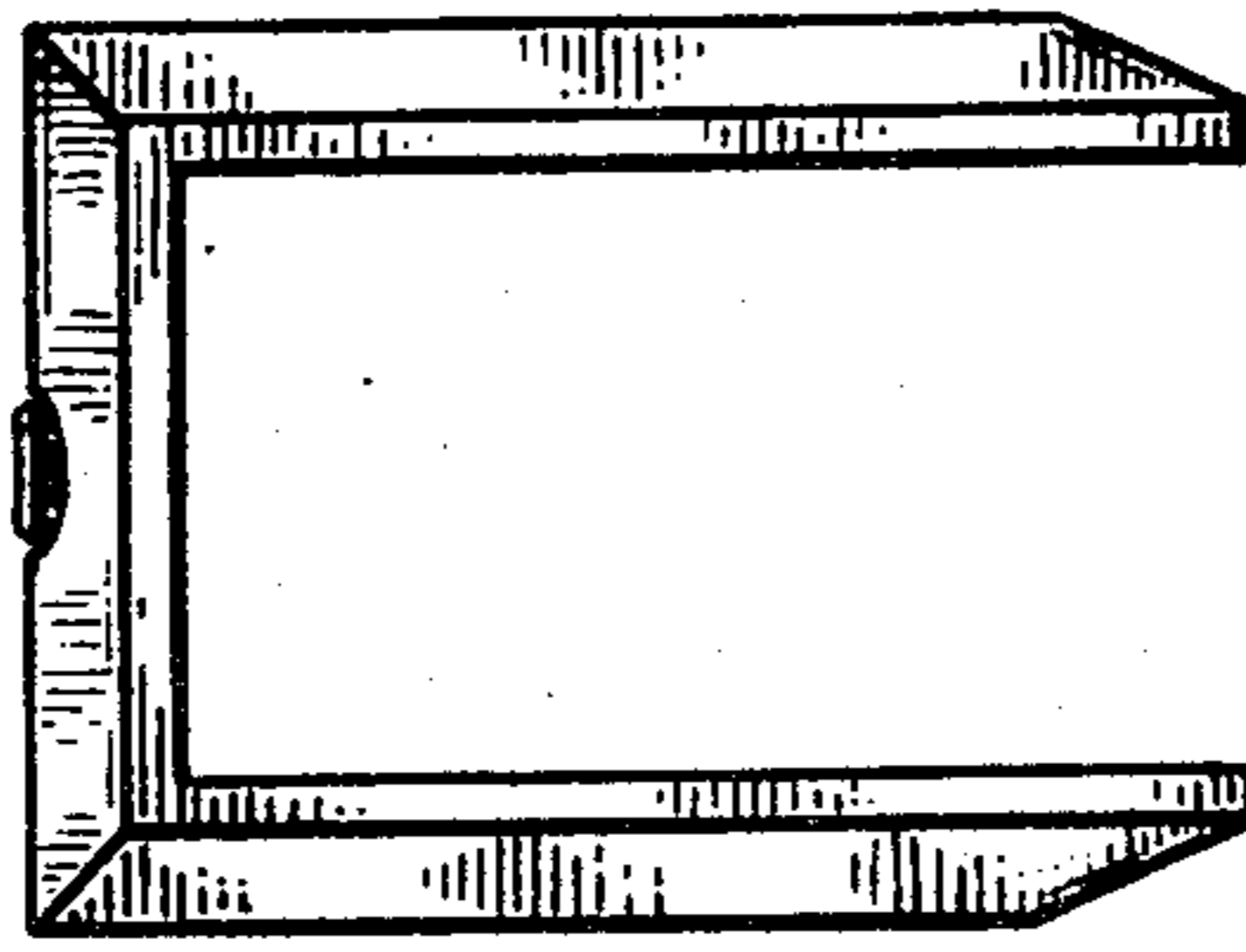


FIG. 2.

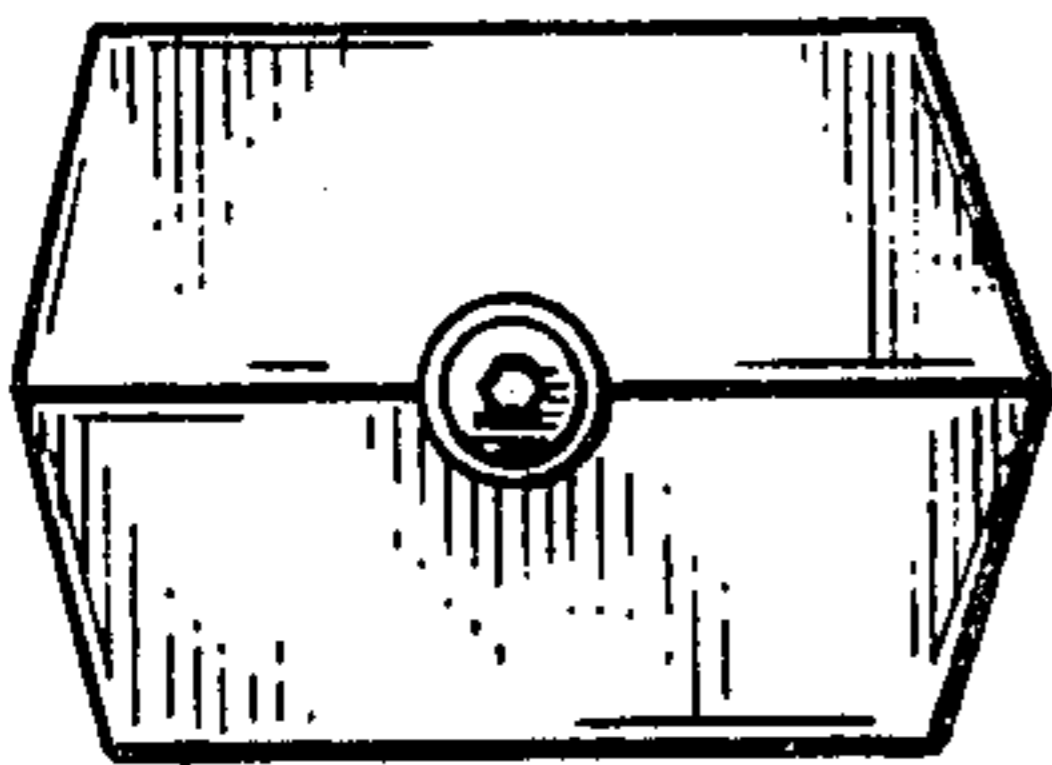


FIG. 4.

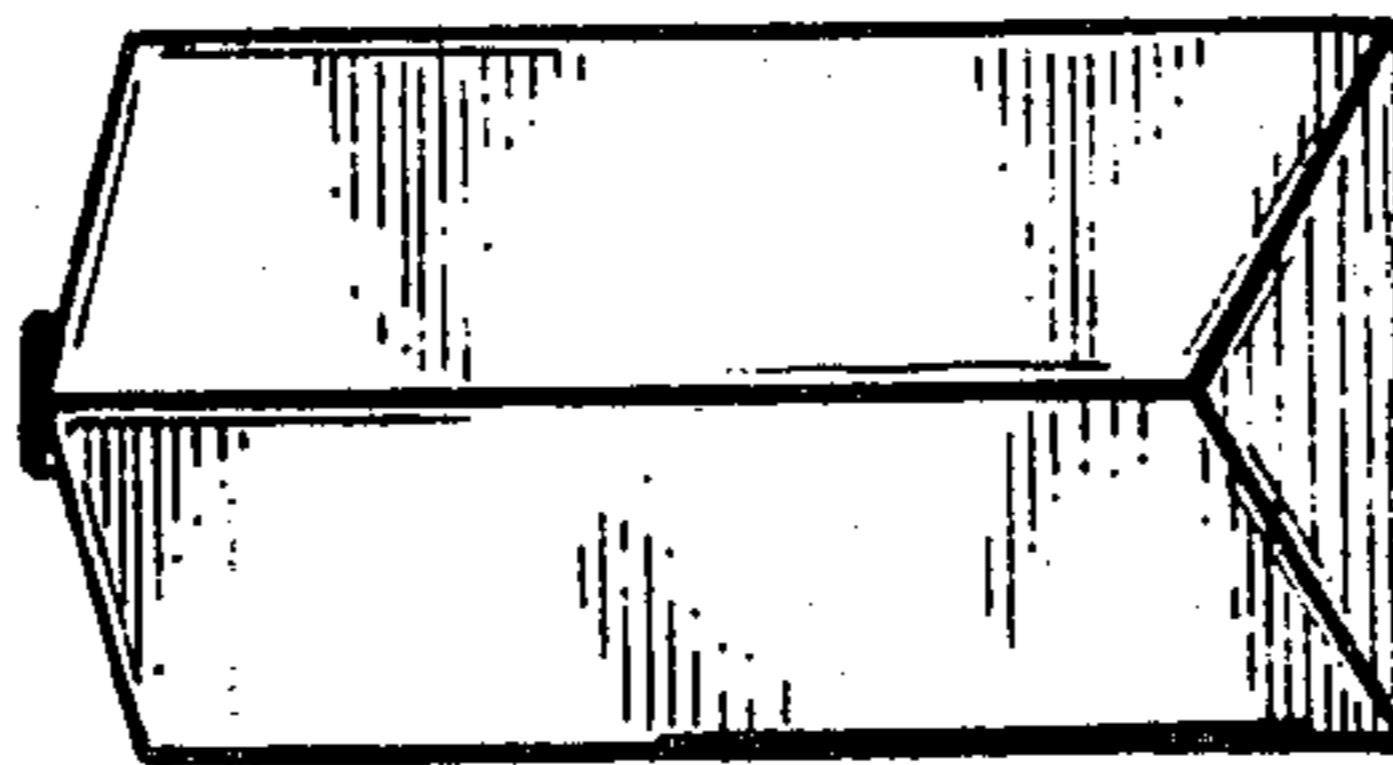


FIG. 6.

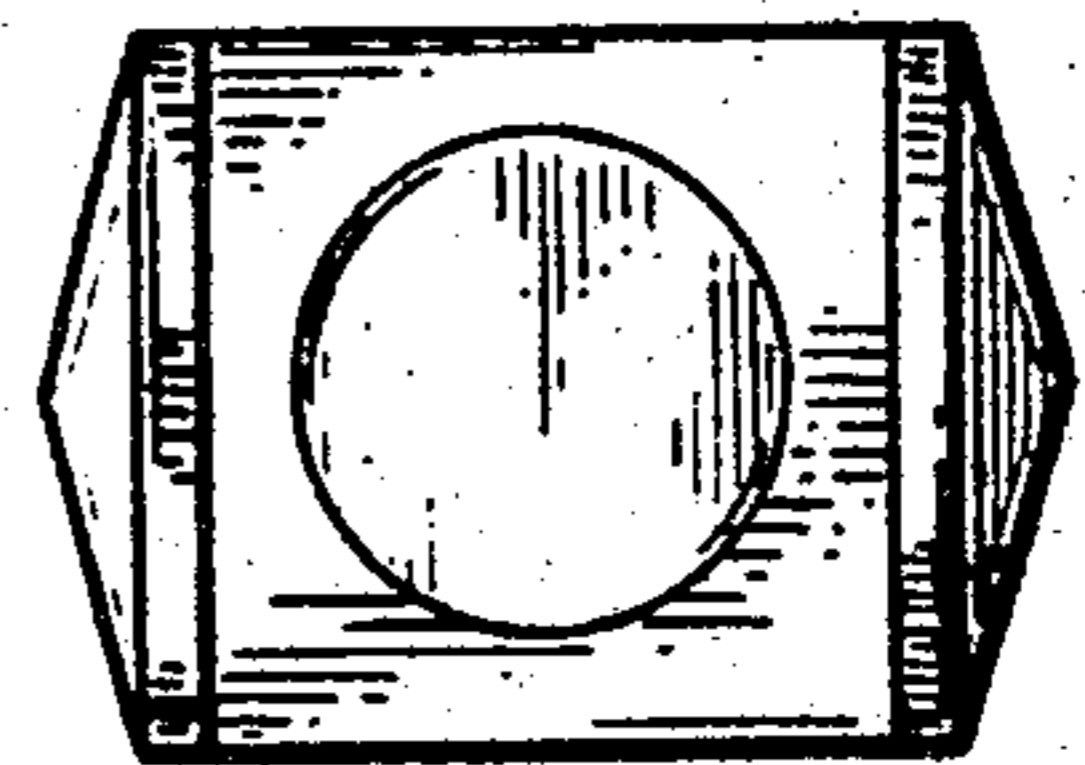


FIG. 5.

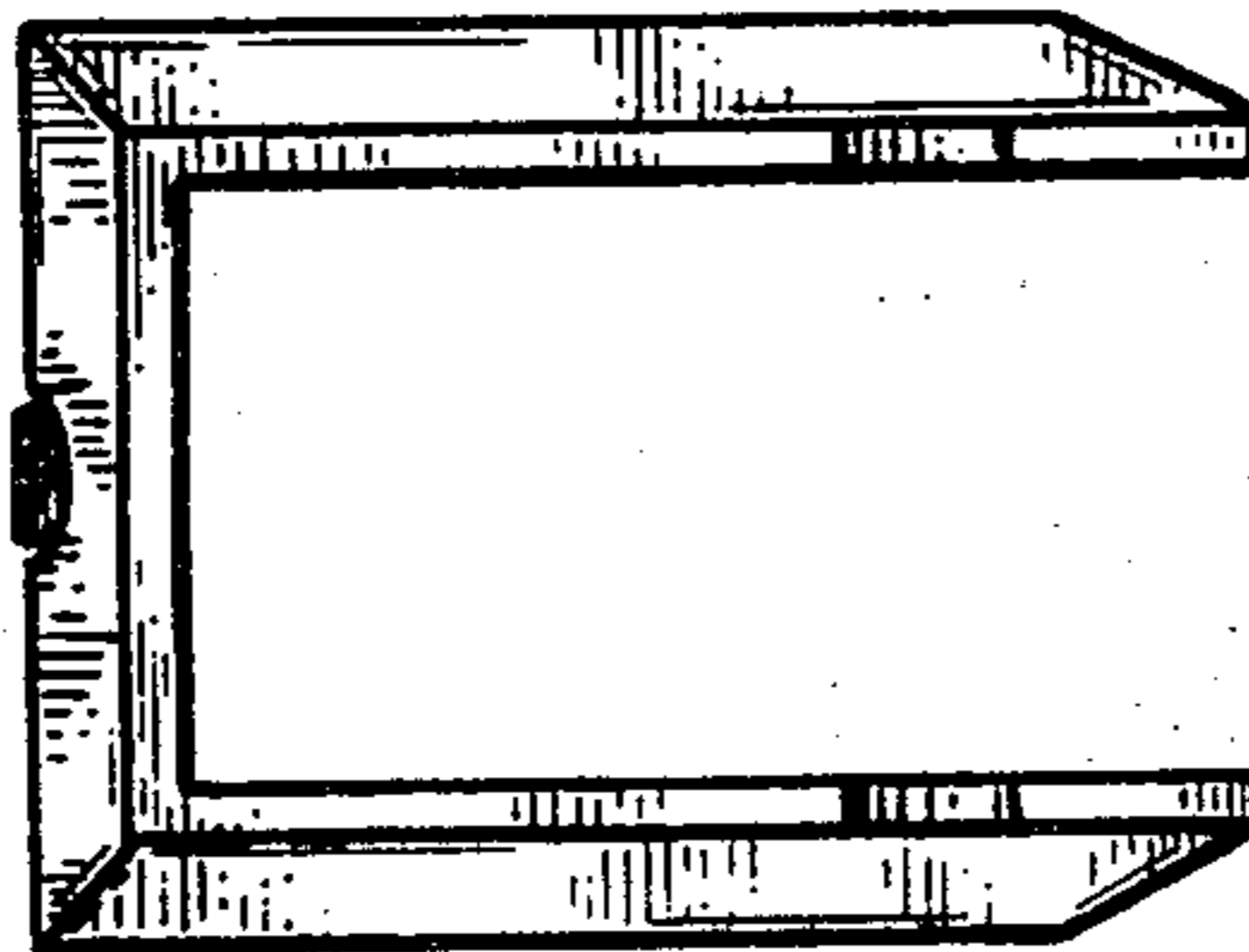


FIG. 3.

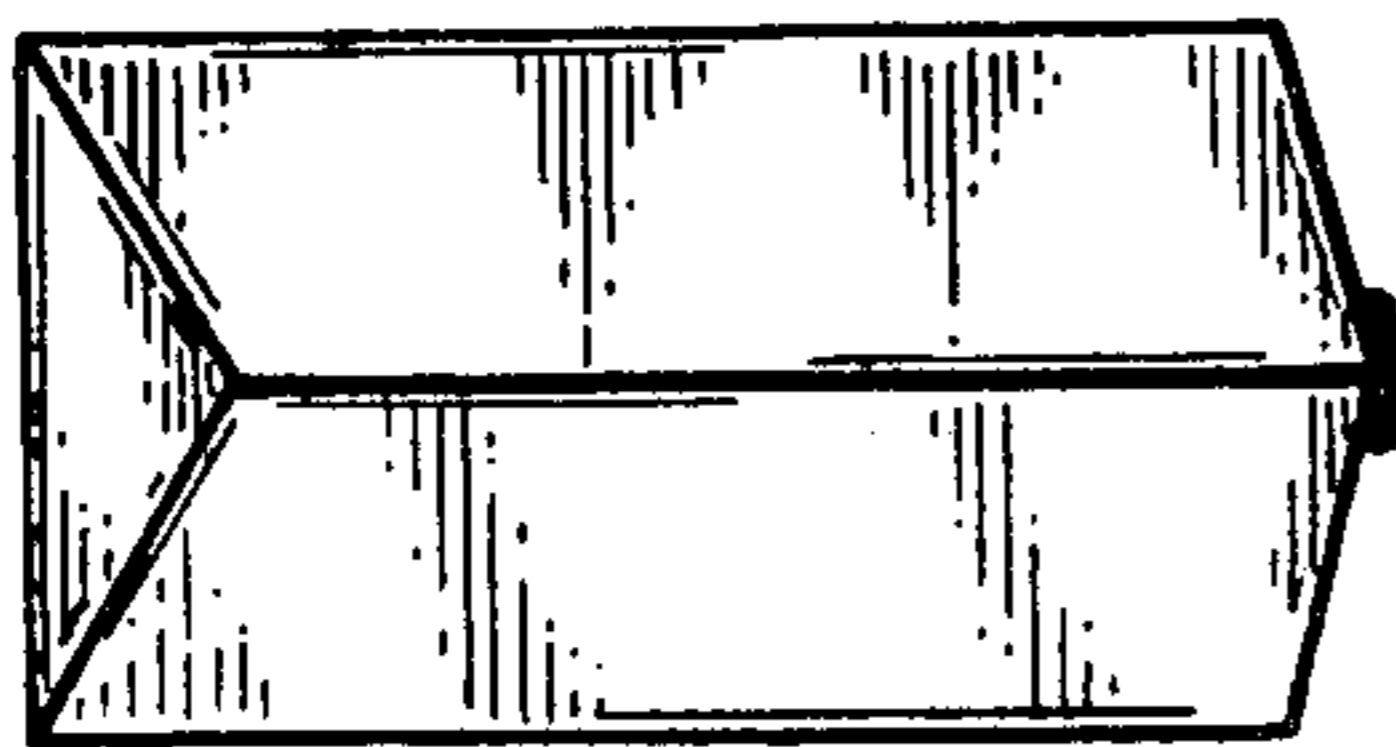


FIG. 7.

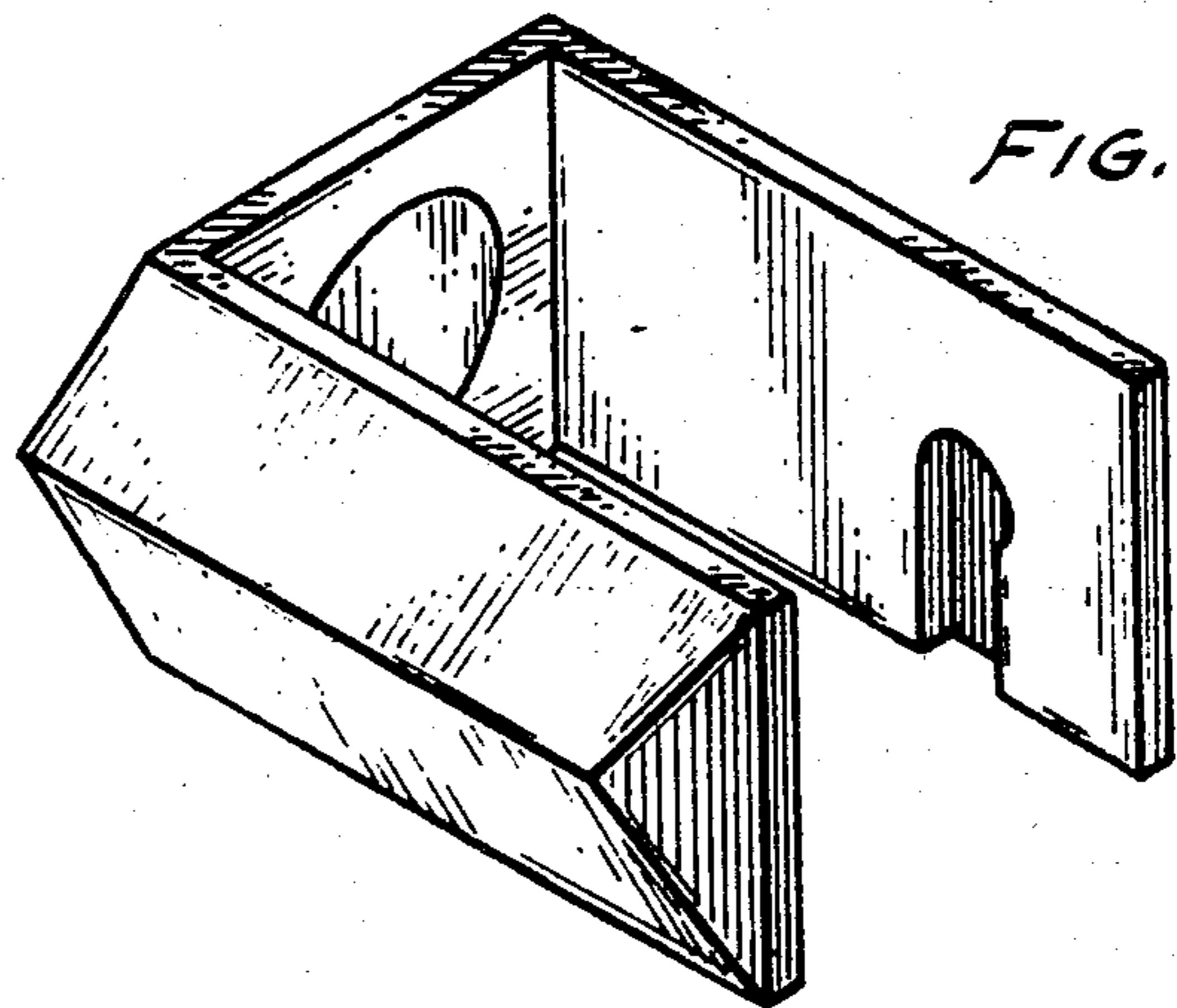


FIG. 1.