

[54] **ARM CHAIR**

[75] **Inventor: Didier Deconinck, Seyssins, France**

[73] **Assignee: Allibert SA, Grenoble Cedex, France**

[\*\*] **Term: 14 Years**

[21] **Appl. No.: 578,745**

[22] **Filed: Feb. 9, 1984**

[30] **Foreign Application Priority Data**

Aug. 12, 1983 [XH] Hague ..... DM-002786

[52] **U.S. Cl. .... D6/368; D6/370; D6/371**

[58] **Field of Search ..... D6/334, 348, 367, 368, D6/370, 371, 372, 373, 380, 379**

[56] **References Cited**

**U.S. PATENT DOCUMENTS**

D. 263,435 3/1982 Deconinck ..... D6/368

D. 263,654	4/1982	Borichevsky	.....	D6/368
D. 269,653	7/1983	Deconinck	.....	D6/368
D. 269,832	7/1983	Crane	.....	D6/368
D. 276,106	10/1984	Grosfillex	.....	D6/368
D. 276,107	10/1984	Grosfillex	.....	D6/368

*Primary Examiner*—Bruce W. Dunkins  
*Attorney, Agent, or Firm*—Young & Thompson

[57] **CLAIM**

The ornamental design for an arm chair, as shown and described.

**DESCRIPTION**

FIG. 1 is a front perspective view of an arm chair showing my new design;  
FIG. 2 is a top and left side perspective view thereof;  
FIG. 3 is a left side perspective view thereof, the right side perspective view being the mirror image thereof;  
FIG. 4 is a top perspective view thereof;  
FIG. 5 is a rear perspective view thereof; and  
FIG. 6 is a bottom perspective view thereof.

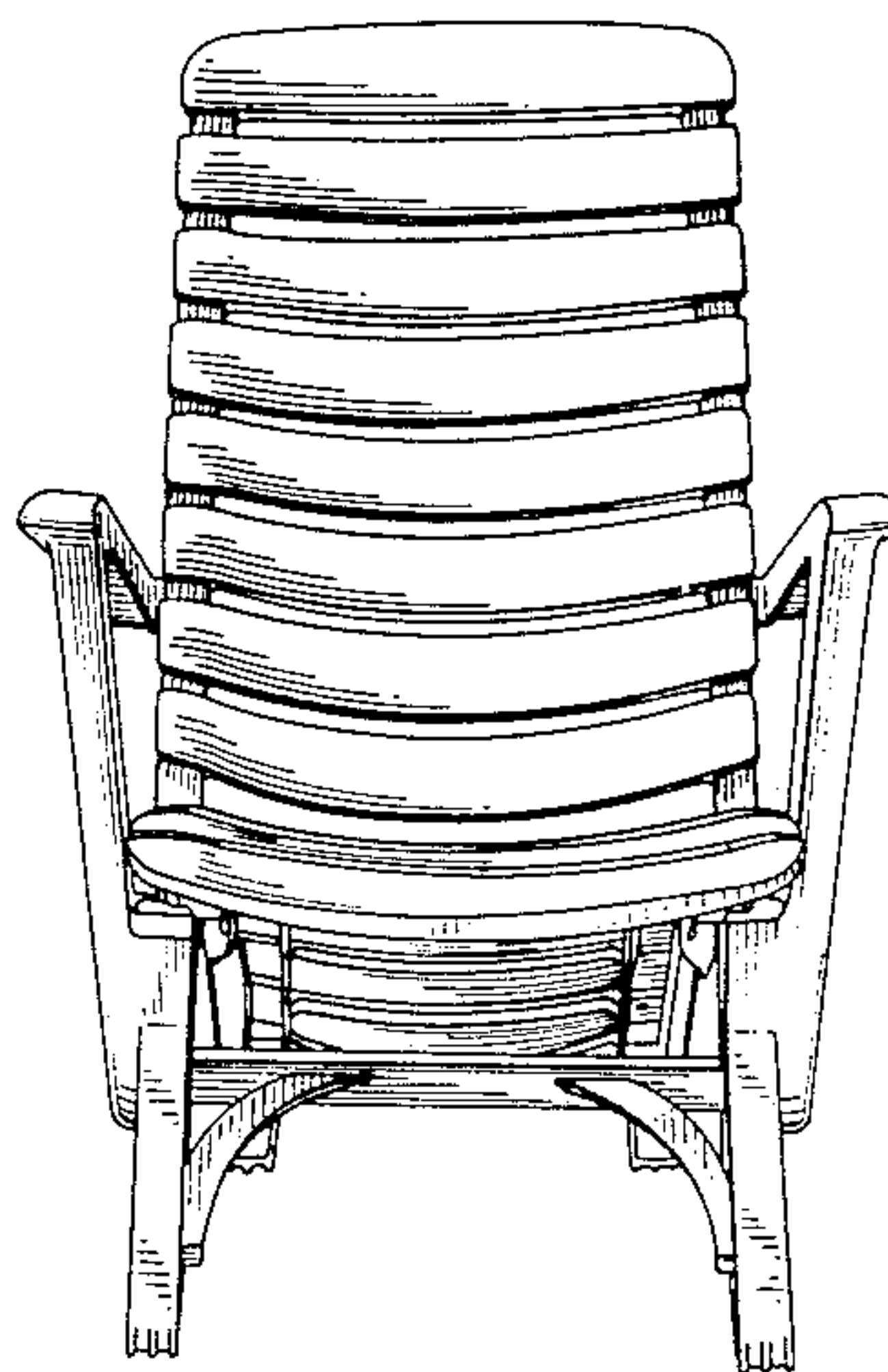


FIG. 1

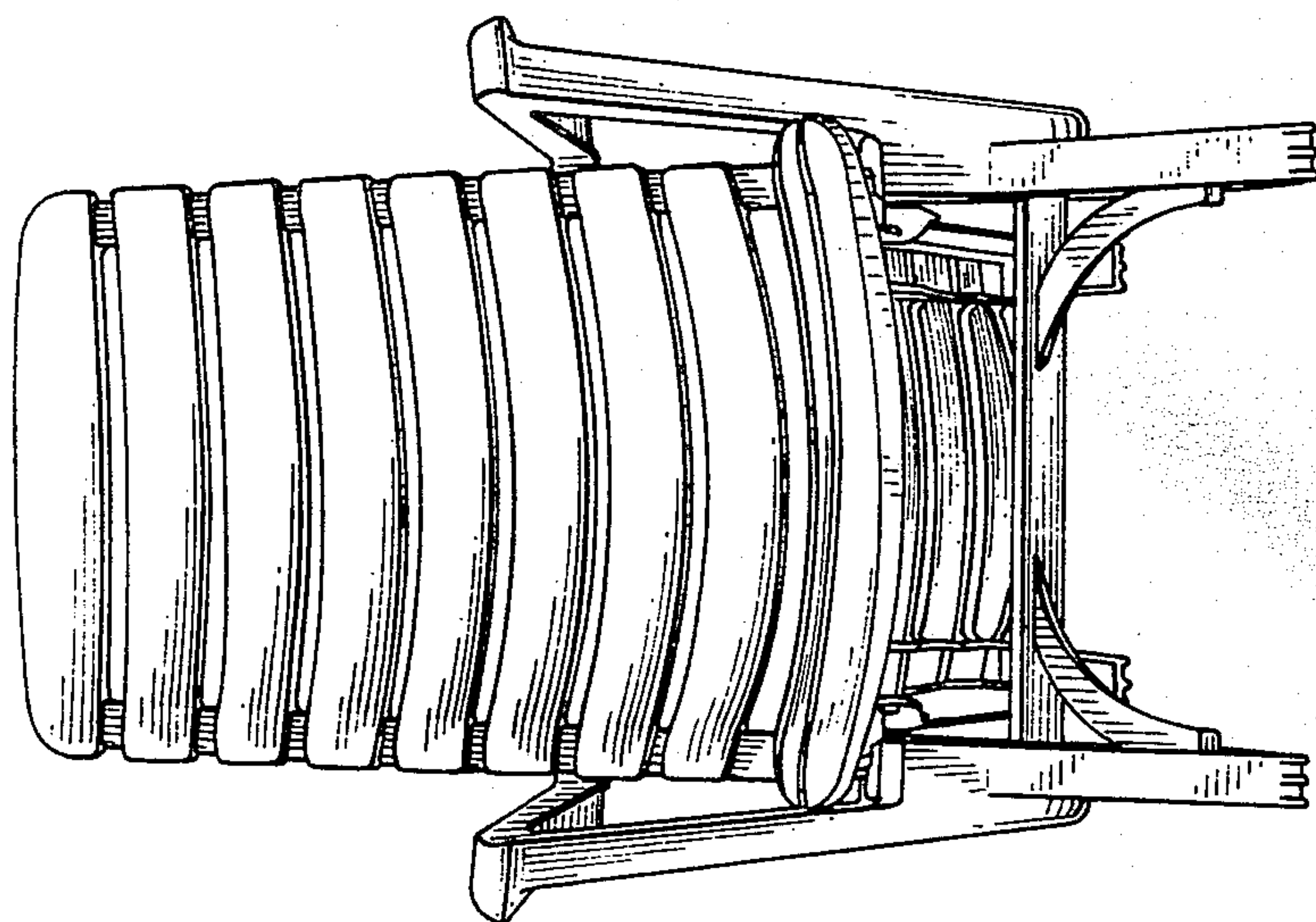
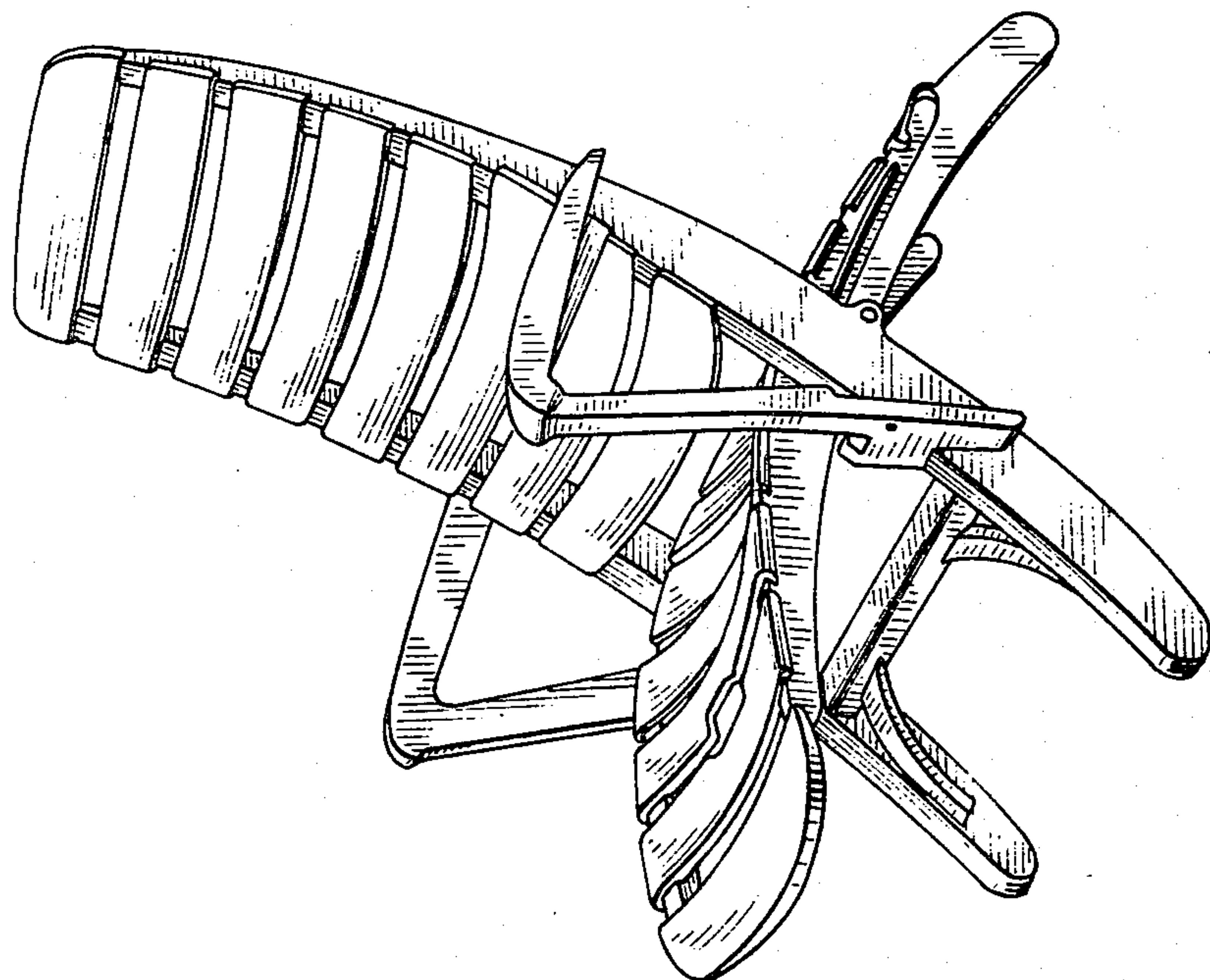


FIG. 2



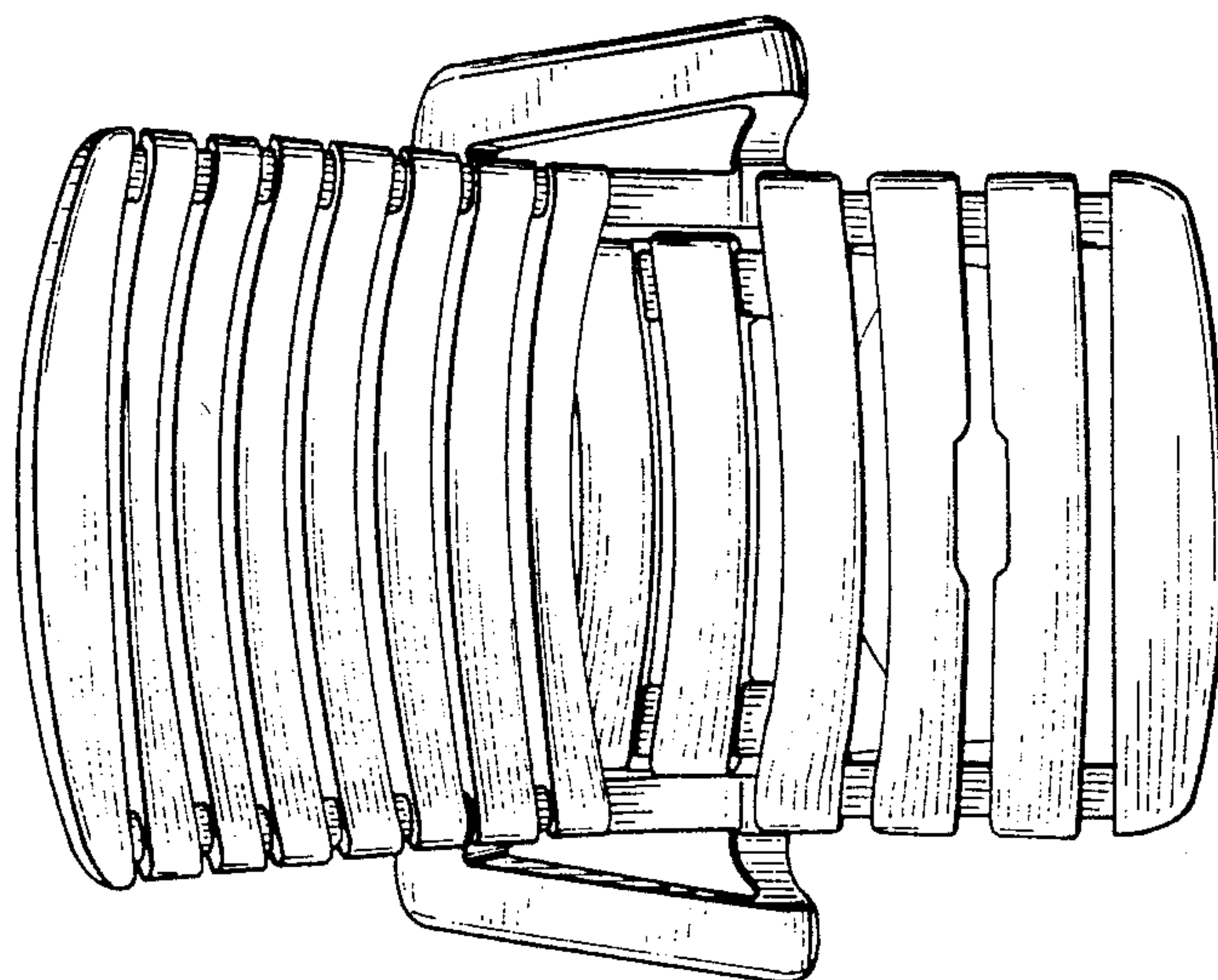


FIG 4

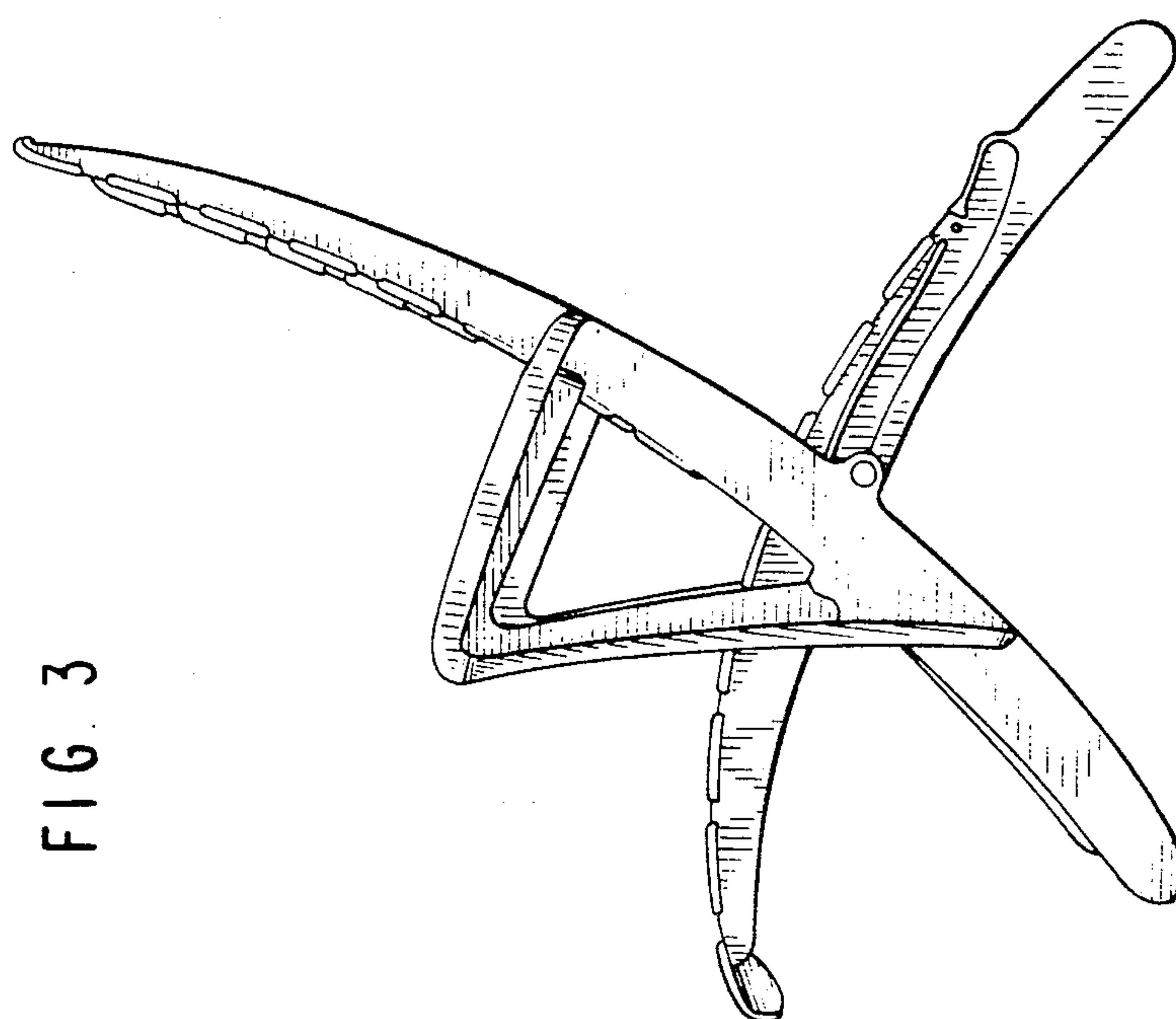


FIG 3

FIG. 6

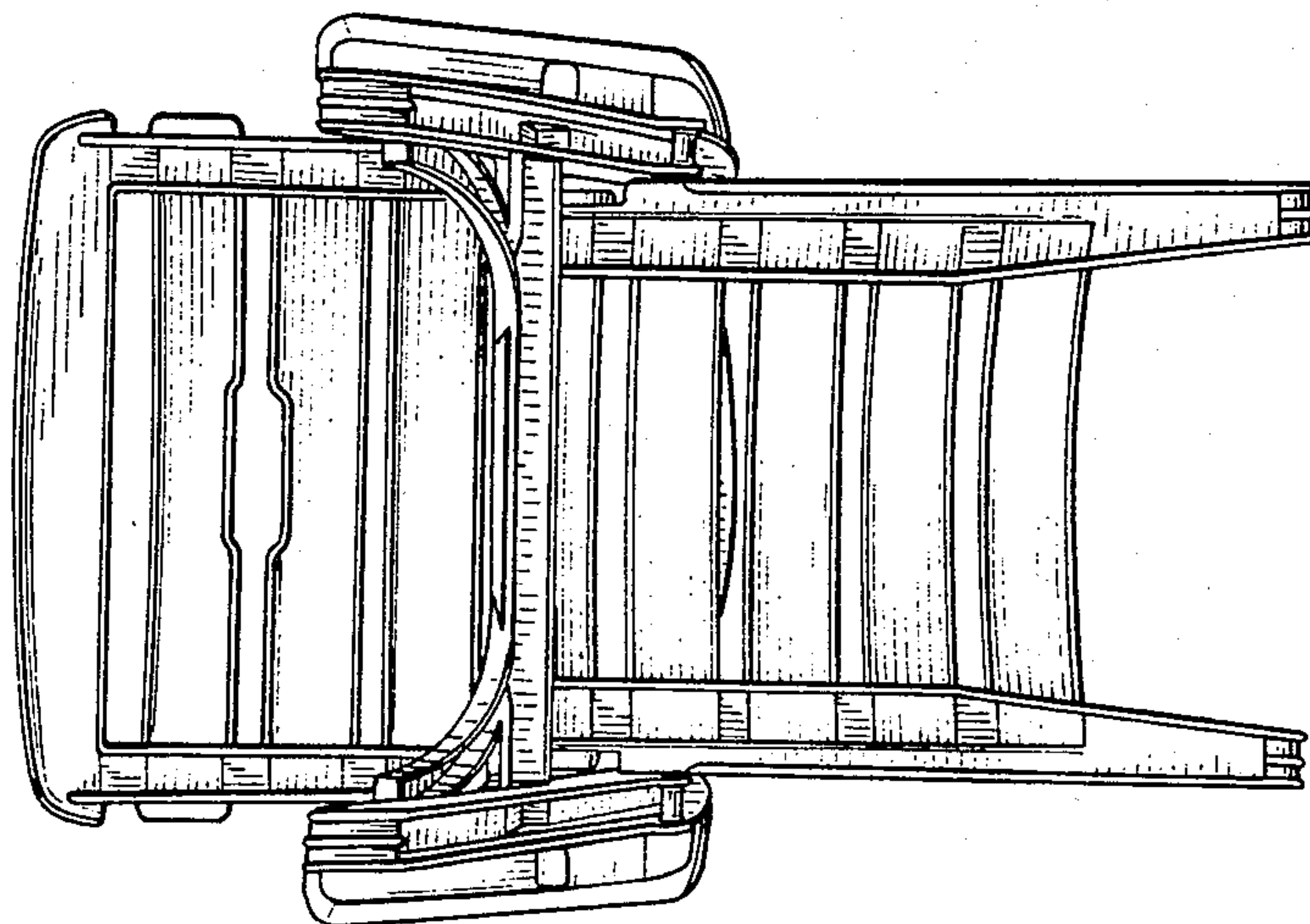


FIG. 5

