

[54] **STEP STOOL**

[75] **Inventor: Gary R. Lemmeyer, East Aurora, N.Y.**

[73] **Assignee: The Quaker Oats Company, Chicago, Ill.**

[**] **Term: 14 Years**

[21] **Appl. No.: 576,262**

[22] **Filed: Feb. 2, 1984**

[52] **U.S. Cl. D6/349; D6/448**

[58] **Field of Search D6/349, 350, 354, 335, D6/336, 432, 440, 448**

[56] **References Cited**

U.S. PATENT DOCUMENTS

D. 125,174	2/1941	Churchill	D6/349 X
D. 151,662	11/1948	Smead	D6/349 X
D. 247,596	3/1978	Hashimoto	D6/374 X
D. 254,941	5/1980	Simmons	D6/349
D. 265,958	8/1982	Markus	D6/478

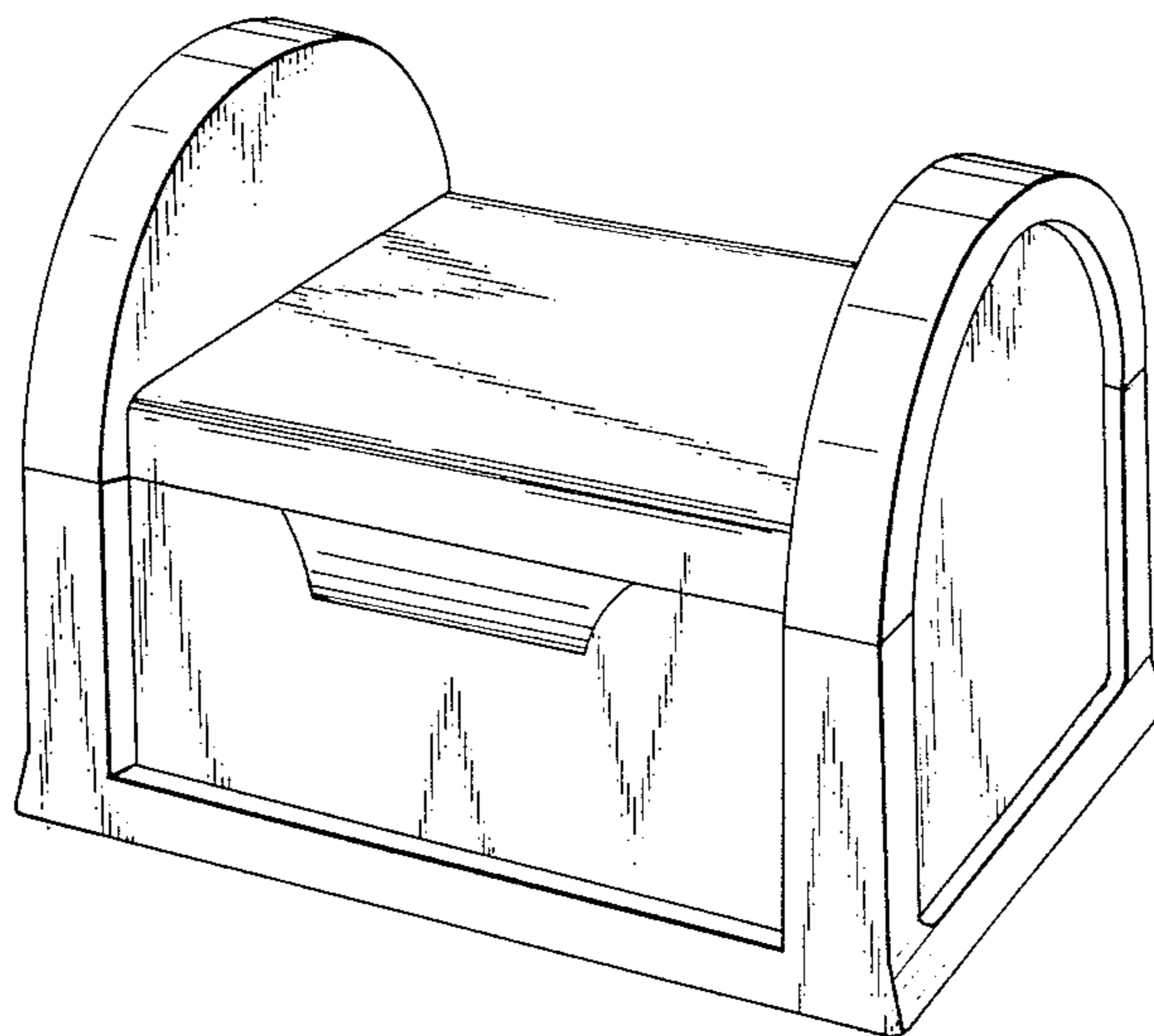
Primary Examiner—Bruce W. Dunkins
Attorney, Agent, or Firm—Cumpston & Shaw

[57] **CLAIM**

The ornamental design for a step stool, substantially as shown and described.

DESCRIPTION

FIG. 1 is a front perspective view of a step stool showing my new design; FIG. 2 is a left-side elevational view thereof; Fig. 3 is a rear elevational view thereof; and FIG. 4 is a bottom plan view thereof.



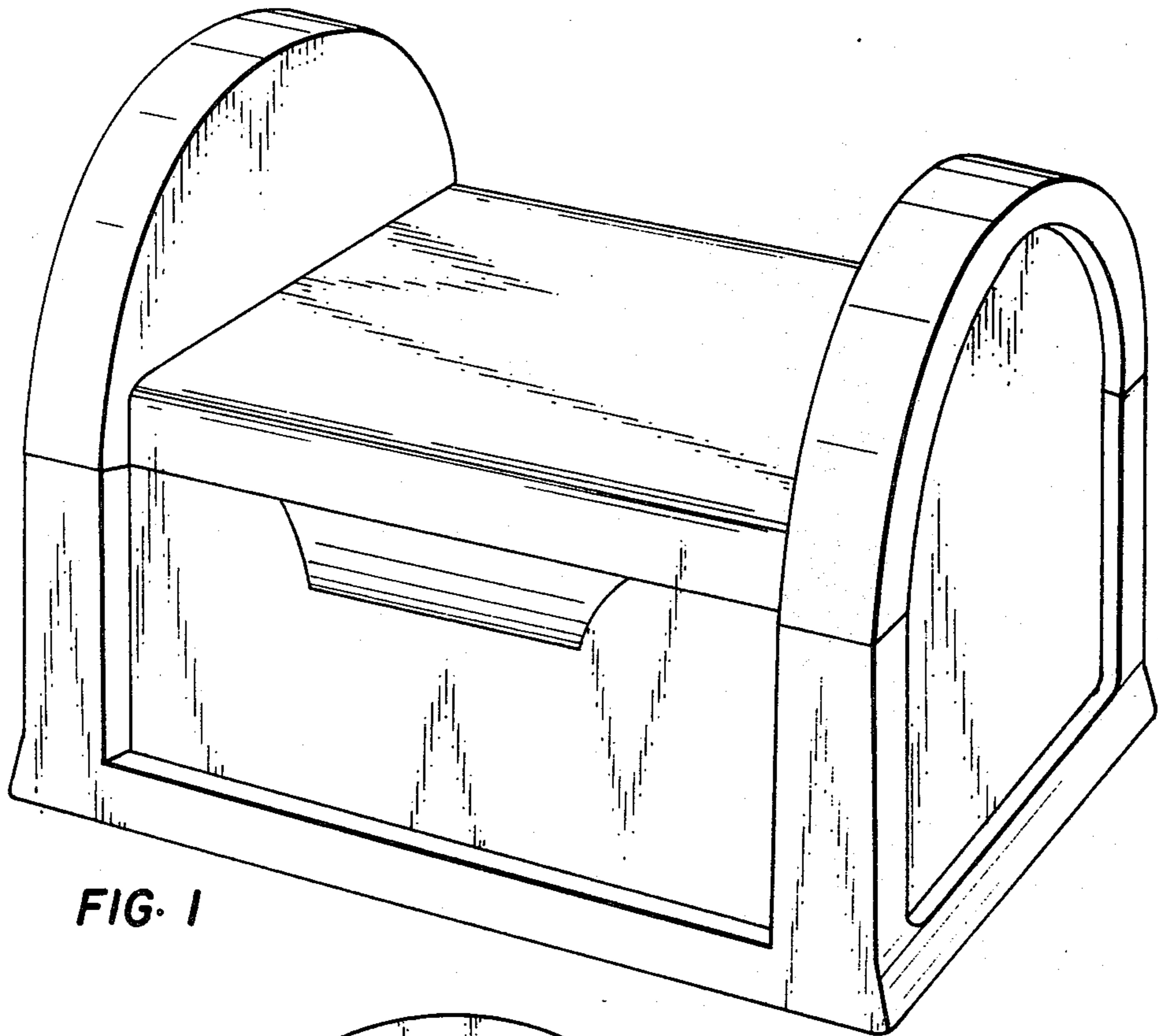


FIG. 1

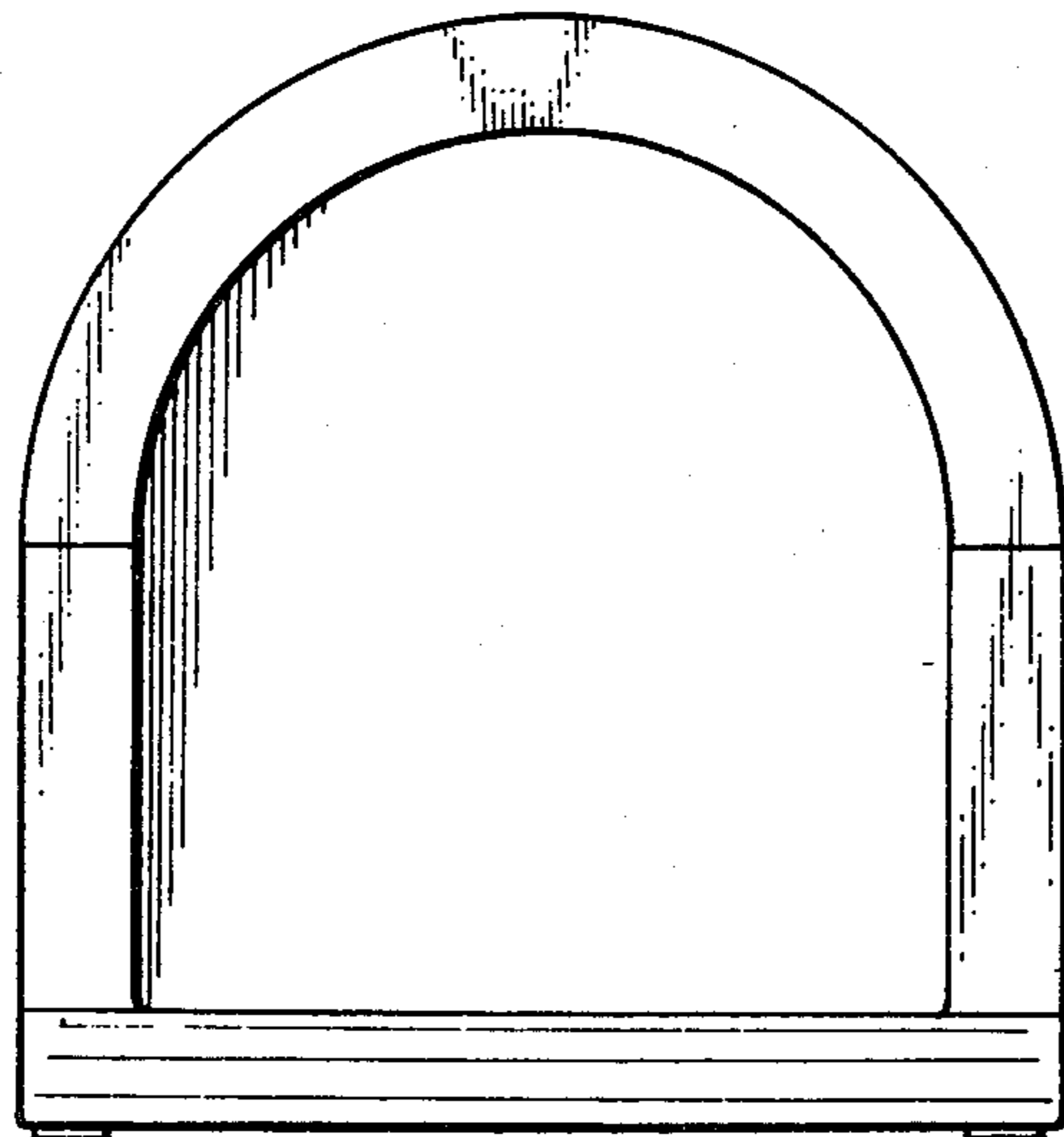


FIG. 2

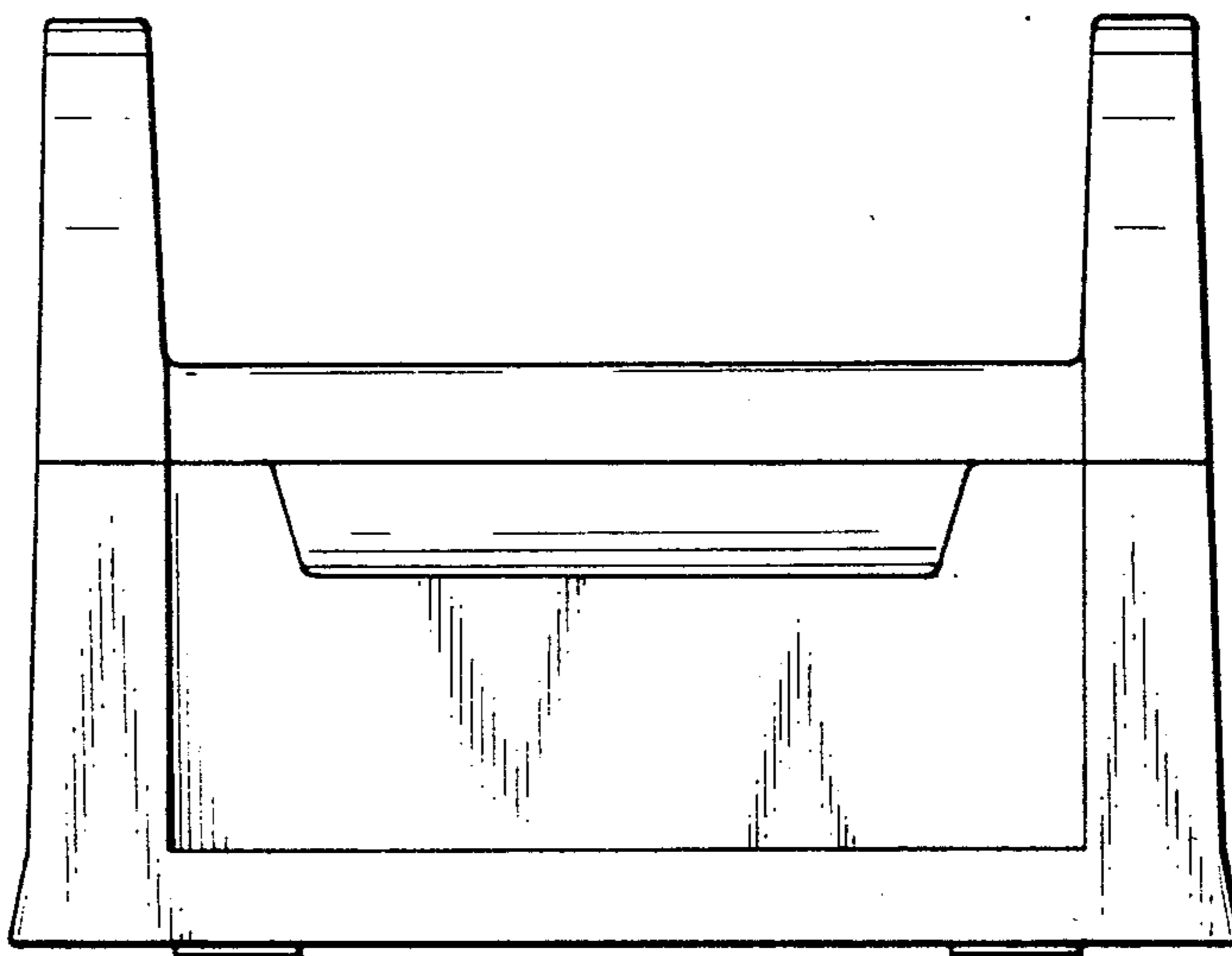


FIG. 3

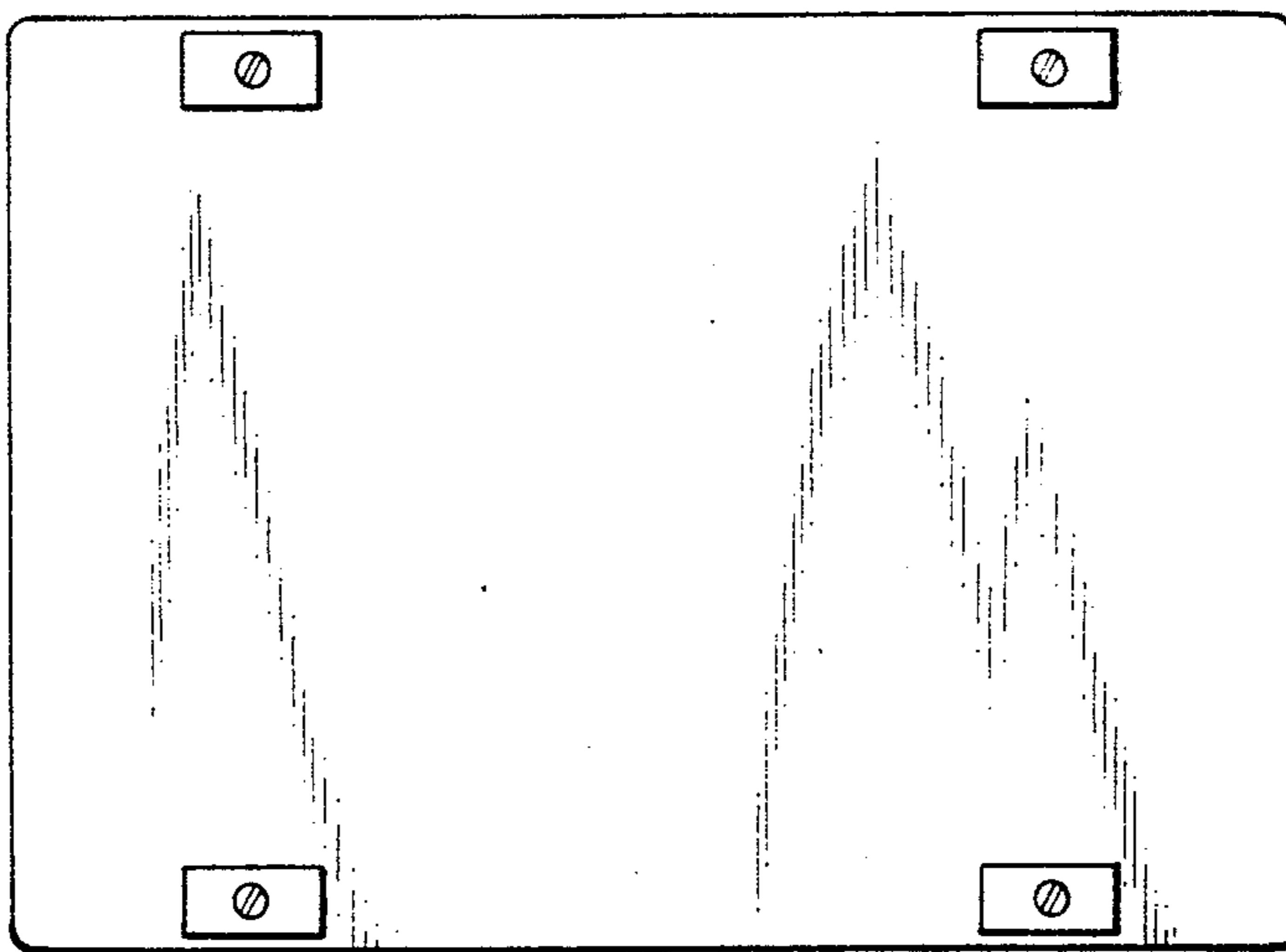


FIG. 4