

[54] GOLF CARRIER

4,154,274 5/1979 Adamson 206/315.2

[76] Inventor: James W. Wiedeman, Box 133B, Mill Run, Pa. 15464

Primary Examiner—George P. Word
Attorney, Agent, or Firm—Jon M. Lewis

[**] Term: 14 Years

[57] CLAIM

[21] Appl. No.: 438,337

The ornamental design for a golf carrier, as shown and described.

[22] Filed: Nov. 1, 1982

[52] U.S. Cl. D3/37; D3/30.1

[58] Field of Search D3/30.1, 36-38;
248/530, 533, 96, 156; 206/315.2, 315.7;
224/274, 277; 150/526; 294/146, 147

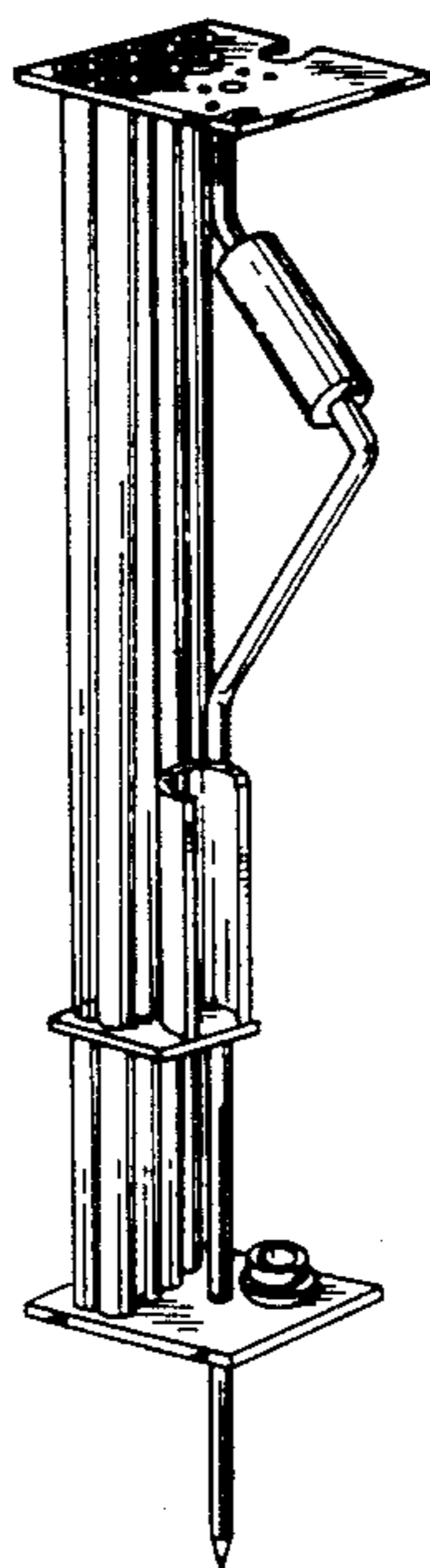
DESCRIPTION

FIG. 1 is a perspective view of a golf carrier showing my new design;
FIG. 2 is an enlarged scale top plan view thereof;
FIG. 3 is a front elevational view of FIG. 1;
FIG. 4 is a rear elevational view thereof;
FIG. 5 is a right side elevational view thereof;
FIG. 6 is an enlarged scale bottom plan view thereof;
FIG. 7 is a side elevational view of one of the tubes removed from the carrier;
FIG. 8 is a front elevational view of the carrier with the tubes removed;
FIG. 9 is a rear elevational view thereof;
FIG. 10 is a right side elevational view thereof; and
FIG. 11 is an enlarged scale top plan view thereof.

[56] References Cited

U.S. PATENT DOCUMENTS

D. 176.627	1/1956	Nash	224/274
D. 195.472	6/1963	Zimmers	224/274
D. 266.373	10/1982	Baptista	D3/37
2,782.971	2/1957	Hershey	224/274
2,791.255	5/1957	Ogden	206/315.2
2,970.629	2/1961	Masten	206/315.2
3,128.021	4/1964	Habbena	224/274
3,866.646	2/1975	Nevard	206/315.2



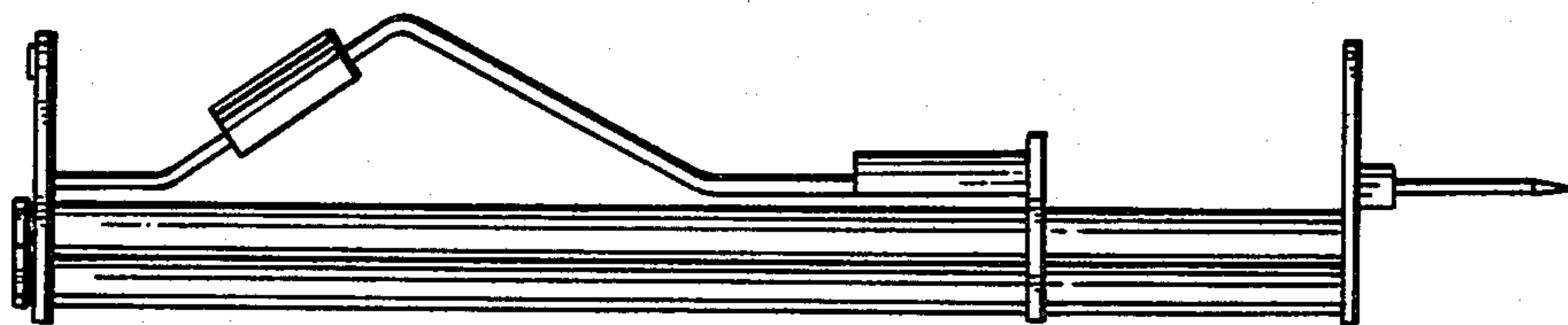


FIG. 3

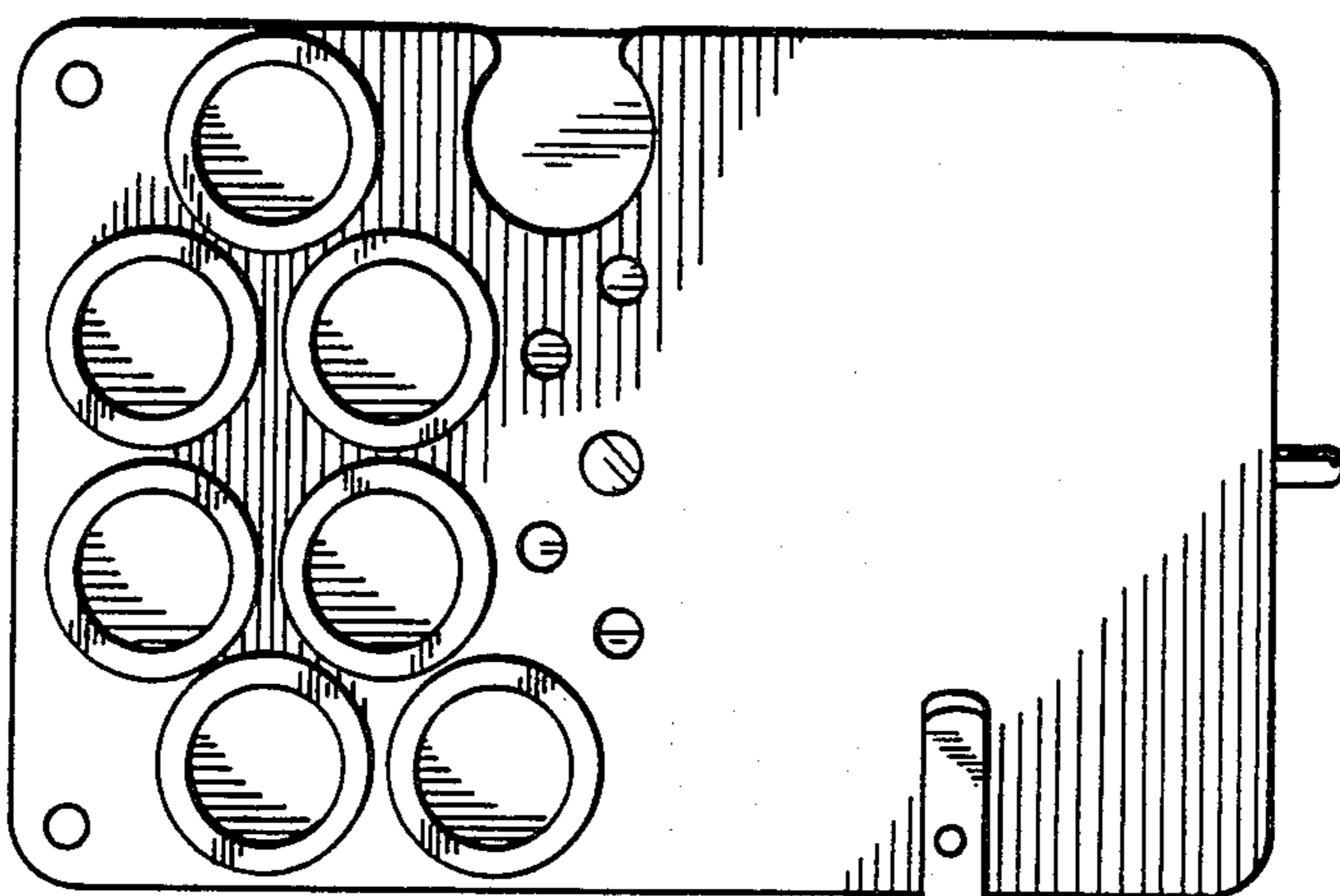


FIG. 2

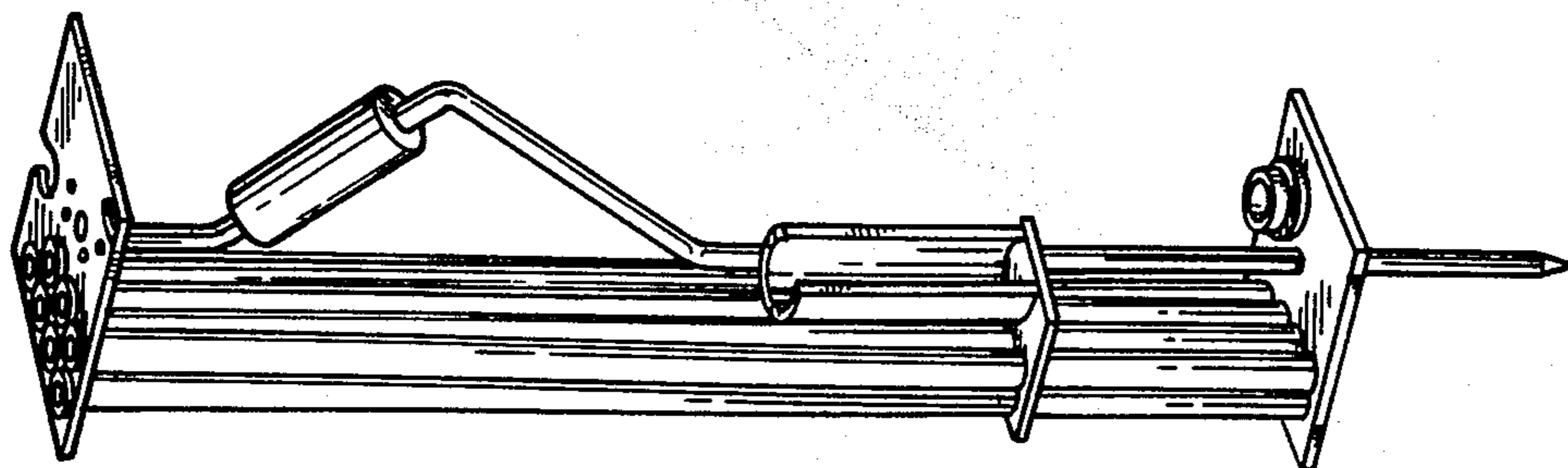


FIG. 1

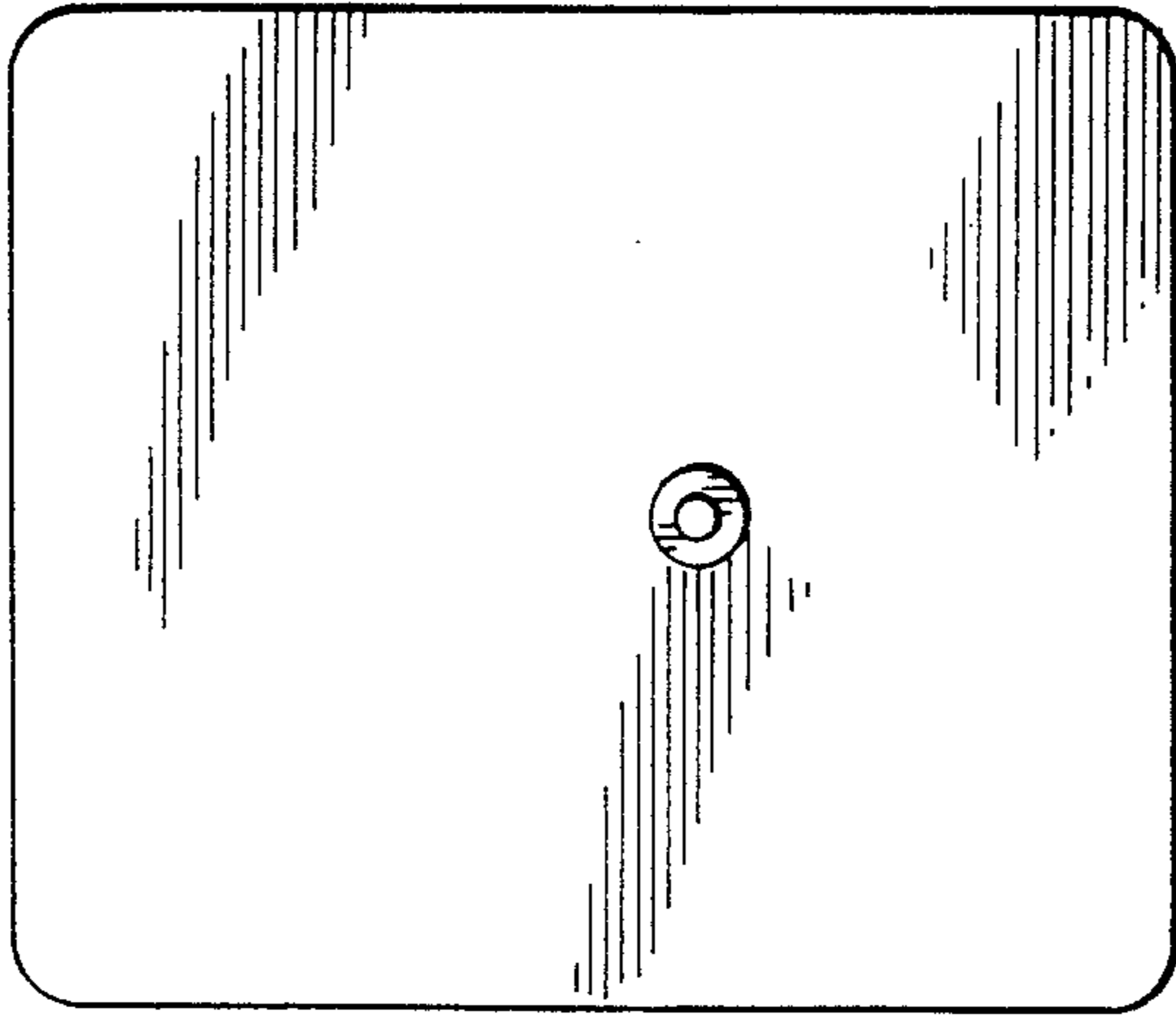


FIG. 6

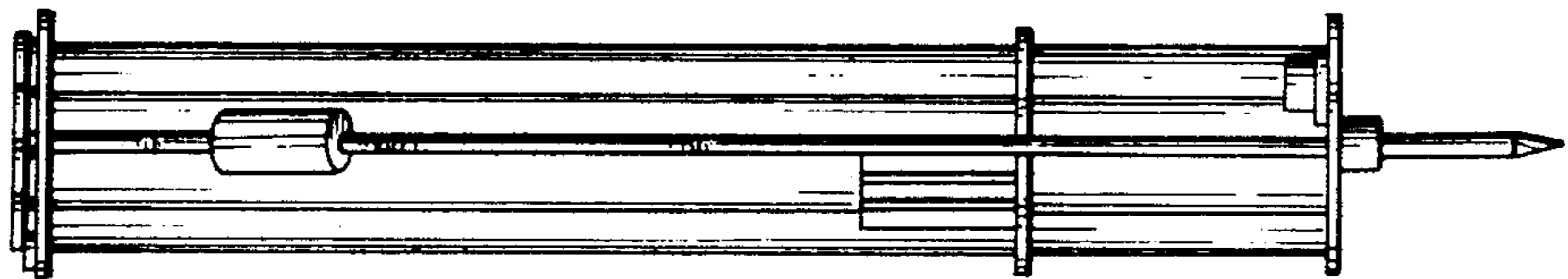


FIG. 5

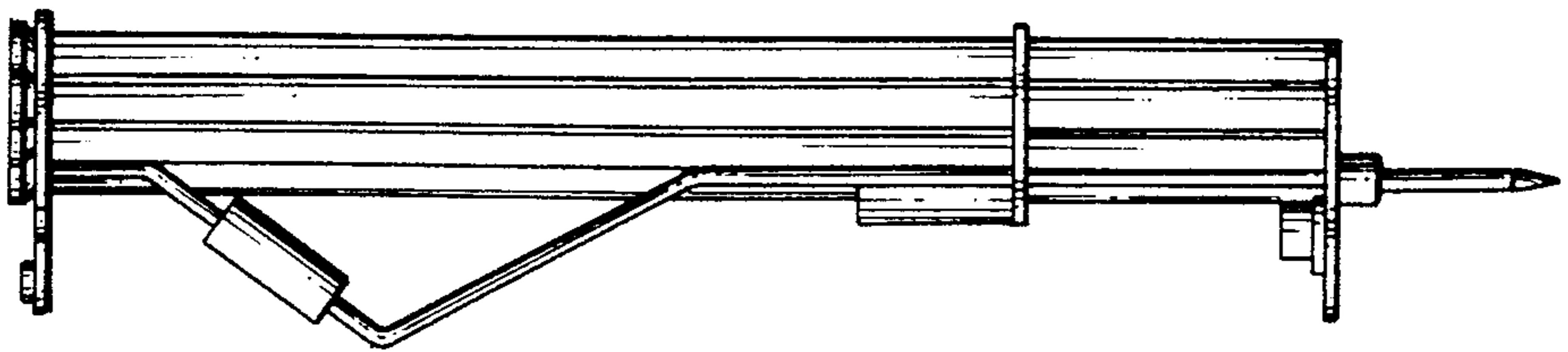


FIG. 4



FIG. 7

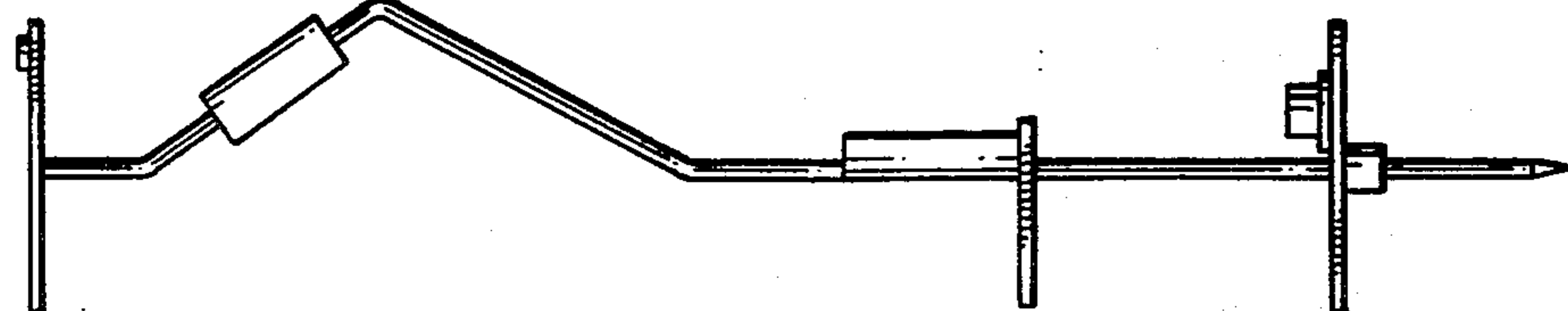


FIG. 8

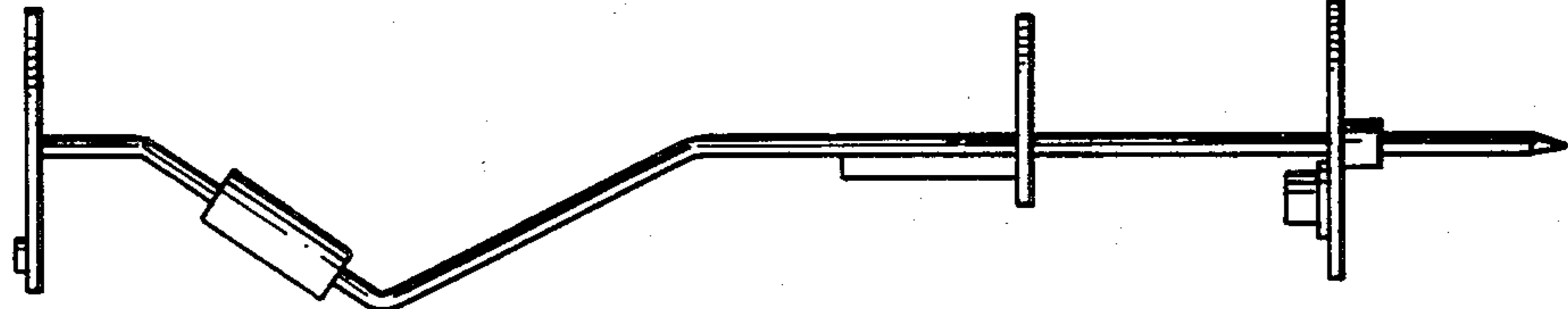


FIG. 9

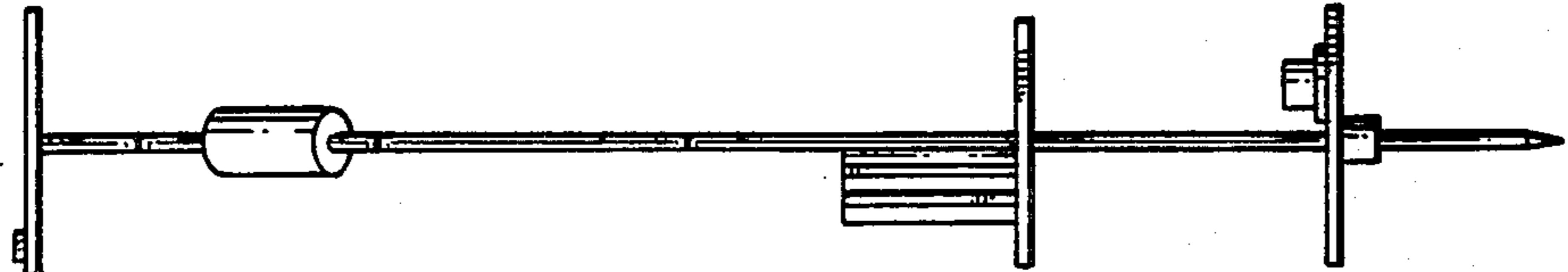


FIG. 10

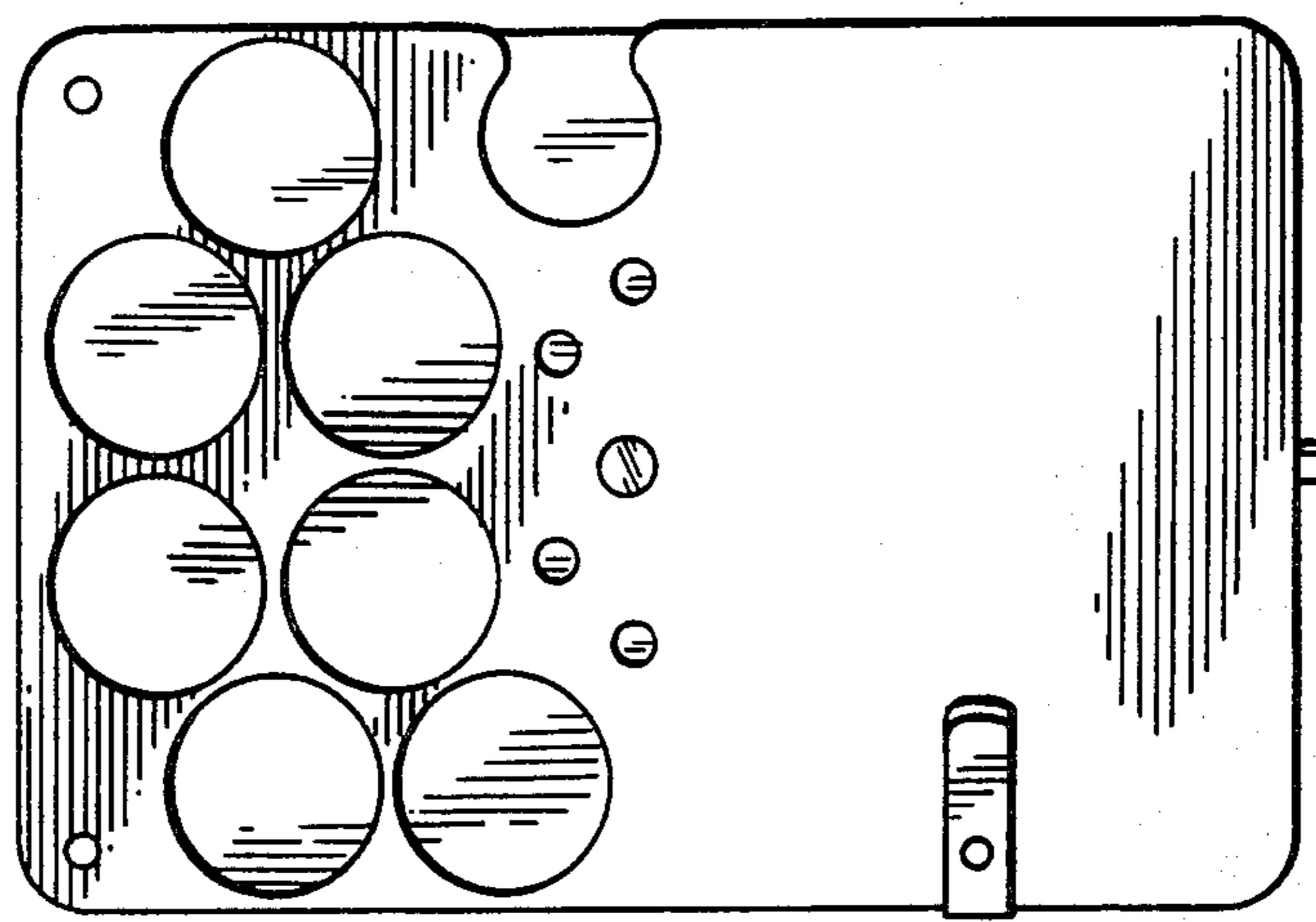


FIG. 11