

[54] CARRIER FOR CASSETTE PLAYER AND CASSETTES

787,853 4/1905 Mills 224/224
2,782,553 2/1957 Harris 224/224
4,440,525 4/1984 Perla 224/224

[76] Inventor: Barbara A. Rose, 330-44 Windward Cir., Aurora, Ohio 44202

Primary Examiner—George P. Word
Attorney, Agent, or Firm—Fay, Sharpe, Fagan, Minnich & McKee

[**] Term: 14 Years

[21] Appl. No.: 543,020

[57] CLAIM

[22] Filed: Oct. 18, 1983

The ornamental design for a carrier for a cassette player and cassettes, substantially as shown and described.

[52] U.S. Cl. D2/383; D2/400; D3/35

DESCRIPTION

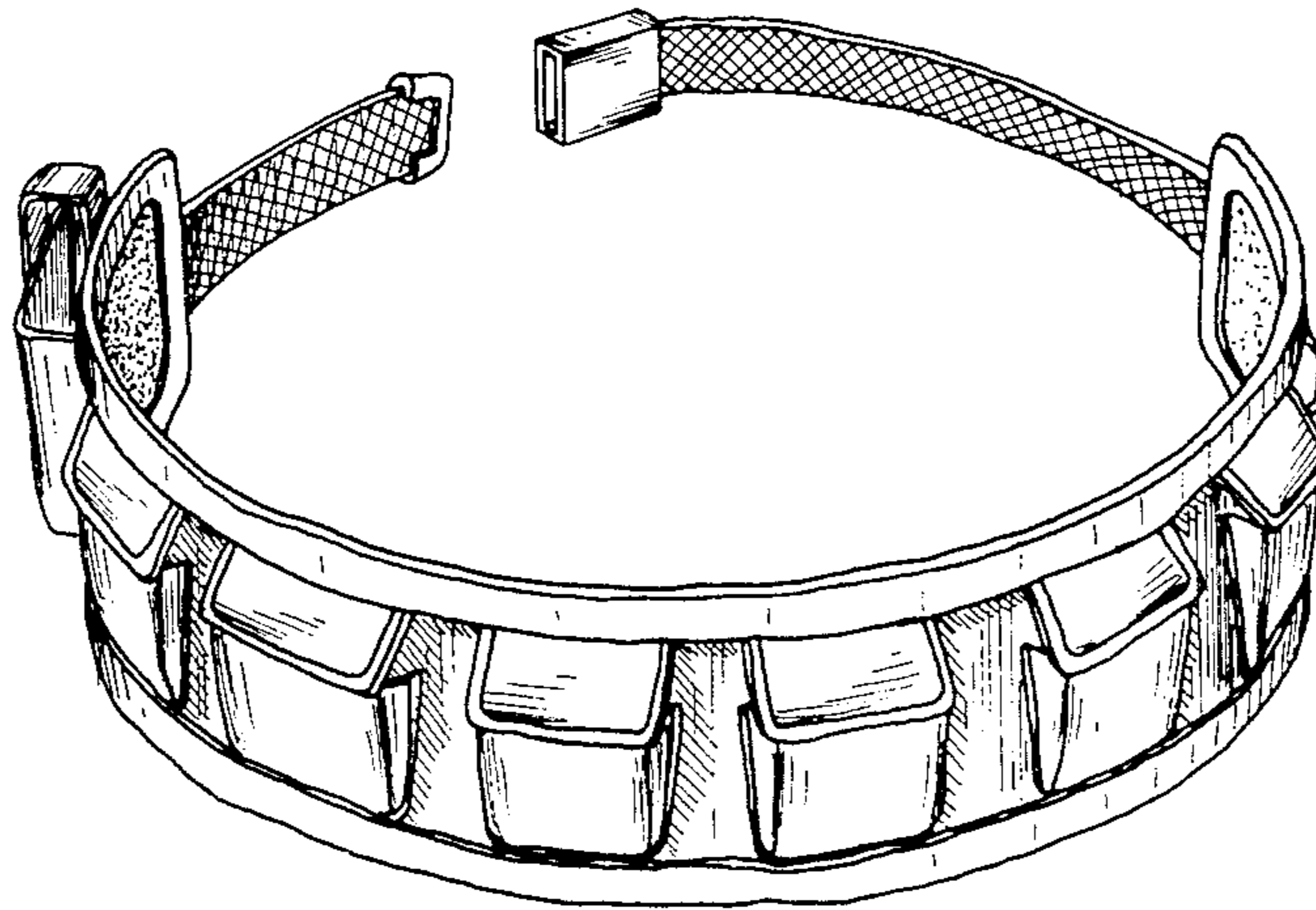
[58] Field of Search D2/383, 400, 402; 224/223, 224, 227, 236, 237, 211, 907, 908

FIG. 1 is a perspective view of a carrier for a cassette player and cassettes showing my new design;
FIG. 2 is a reduced scale front elevational view thereof in the extended condition;
FIG. 3 is a rear elevational view thereof;
FIG. 4 is a top plan view thereof;
FIG. 5 is a bottom plan view thereof;
FIG. 6 is a right side elevational view thereof; and
FIG. 7 is a left side elevational view thereof.

[56] References Cited

U.S. PATENT DOCUMENTS

- D. 248,899 8/1978 Neufville D2/400
- D. 254,758 4/1980 Rodstein D2/400
- D. 277,810 3/1985 Dickens D2/383
- D. 278,386 4/1985 Share D2/383



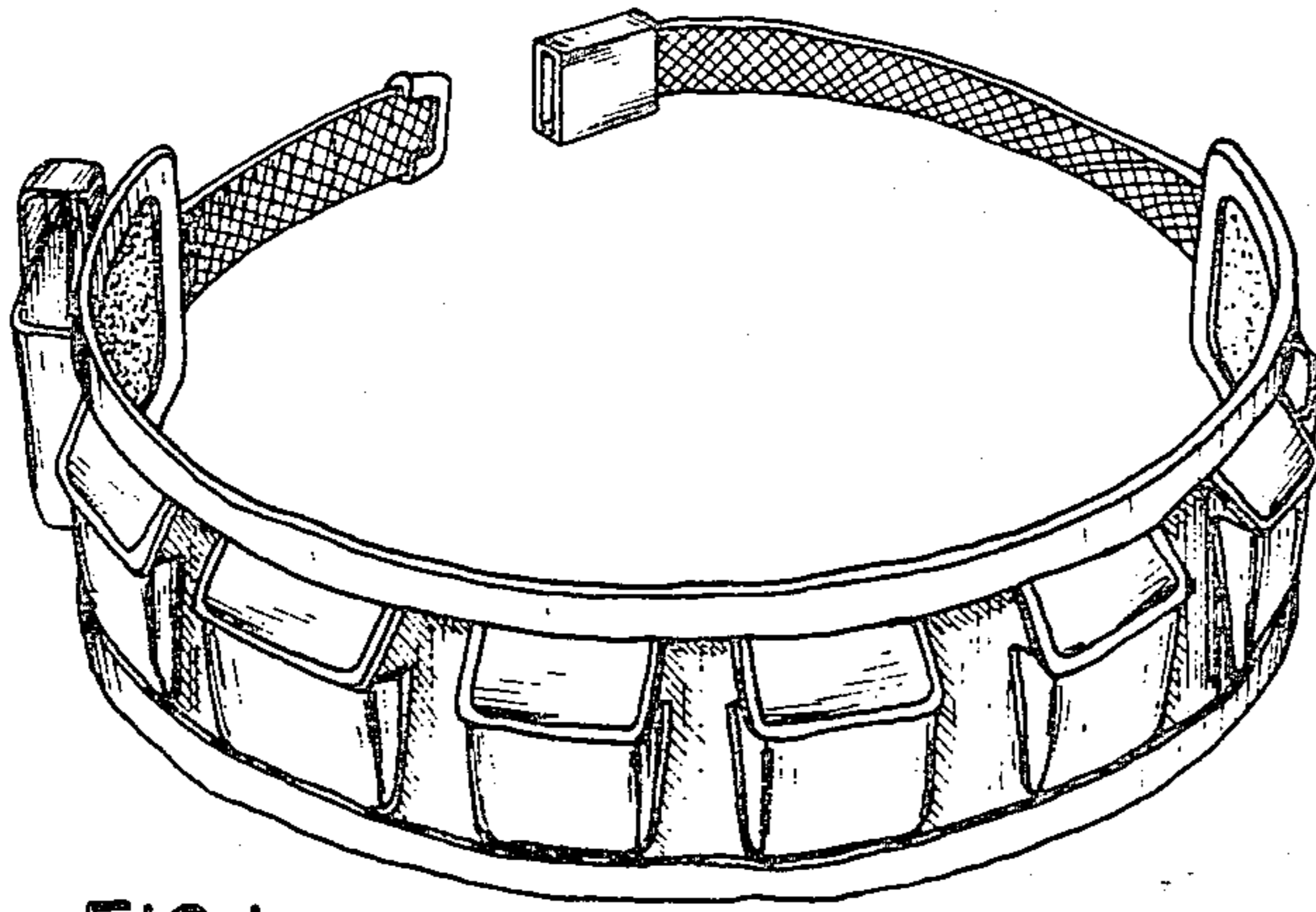


FIG. 1

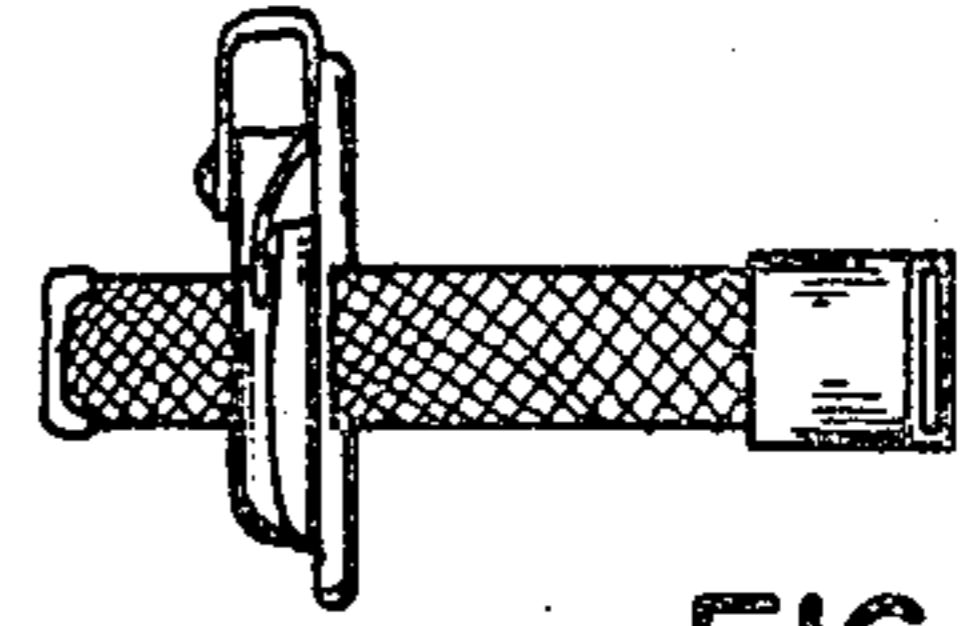


FIG. 6

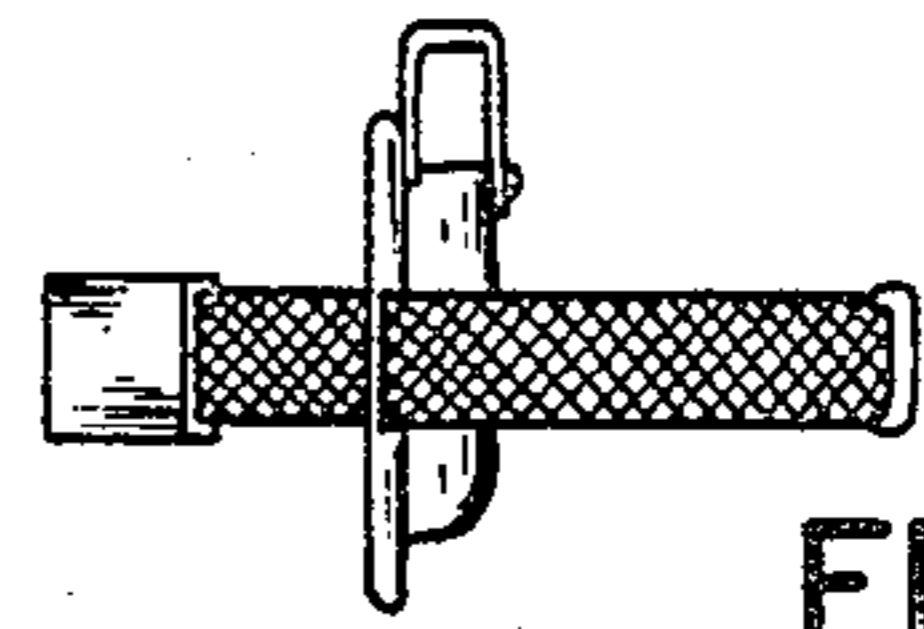


FIG. 7



FIG. 2

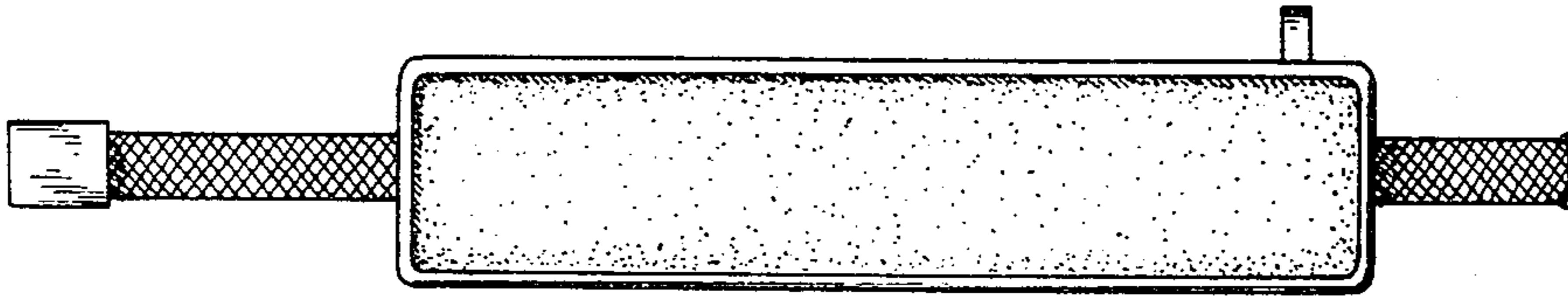


FIG. 3



FIG. 4



FIG. 5