

[54] INHALATOR

[76] Inventors: Ernst Fink, Stelthornerstr. 1, 2910 Westerstede; Hans-Peter Muller, Karlsbadstr. 3., 2900 Oldenburg, both of Fed. Rep. of Germany

[**] Term: 14 Years

[21] Appl. No.: 488,665

[22] Filed: Apr. 26, 1983

[52] U.S. Cl. D24/62

[58] Field of Search D24/62; D29/7; 128/200.14, 203.16, 203.17, 203.26, 203.27, 200.16, 368

[56] References Cited

U.S. PATENT DOCUMENTS

D. 198,487	6/1964	Ferris	D29/7
D. 235,484	6/1975	Baro et al.	D24/62
1,476,194	12/1922	Dismond	128/203.16
3,152,240	10/1964	Scott	128/368 X
3,658,059	4/1972	Steil	128/203.15 X
4,399,349	8/1983	Deming et al.	128/203.17 X

FOREIGN PATENT DOCUMENTS

231847	3/1926	United Kingdom	128/203.26
--------	--------	----------------	-------	------------

Primary Examiner—A. Hugo Word
Assistant Examiner—Stella M. Reid
Attorney, Agent, or Firm—Steinberg & Raskin

[57] CLAIM

The ornamental design for an inhalator, as shown and described.

DESCRIPTION

FIG. 1 is a top plan view of an inhalator showing our new design, with ventilation bellows omitted for convenience of illustration;
FIG. 2 is a front-left perspective view thereof, with ventilation bellows omitted for convenience of illustration;
FIG. 3 is a fragmentary exploded perspective view of a portion of the inhalator showing the locking element;
FIG. 4 is a fragmentary perspective view of a portion of the inhalator in locked position;
FIG. 5 is a fragmentary left side elevational view thereof showing the breathing mask headpiece;
FIG. 6 is a detailed left side elevational view thereof showing the breathing mask headpiece in a forwardly tilted position;
FIG. 7 is a detailed left side elevational view thereof showing the breathing mask headpiece in a rearwardly tilted position;
FIG. 8 is a front-right perspective view thereof showing a ventilation bellows associated therewith;
FIG. 9 is a front-right perspective view thereof showing the ventilation bellows disassociated therefrom and showing the bores and closure stopper of the bellows; and
FIG. 10 is a bottom plan view thereof.

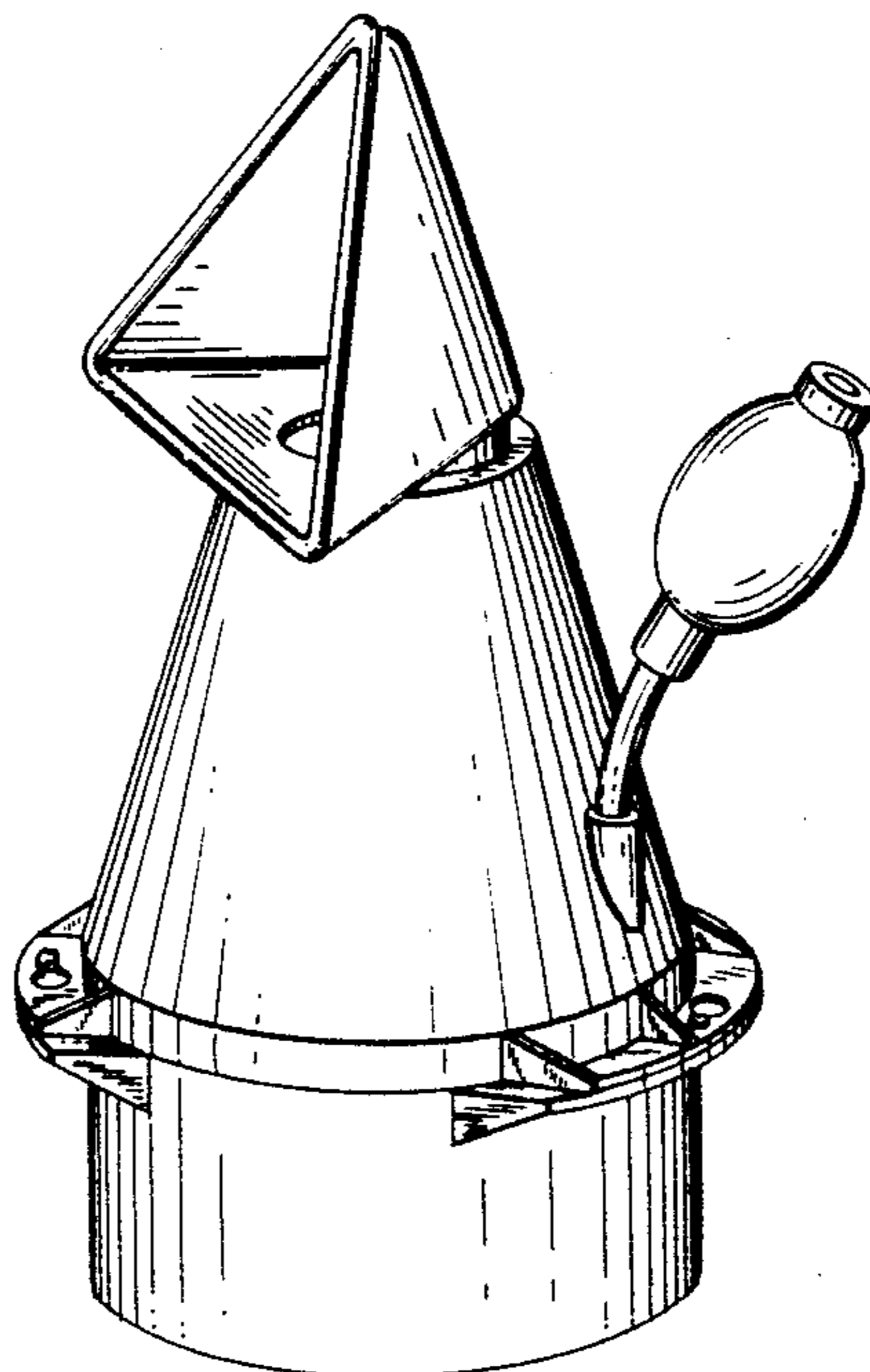


FIG. 1

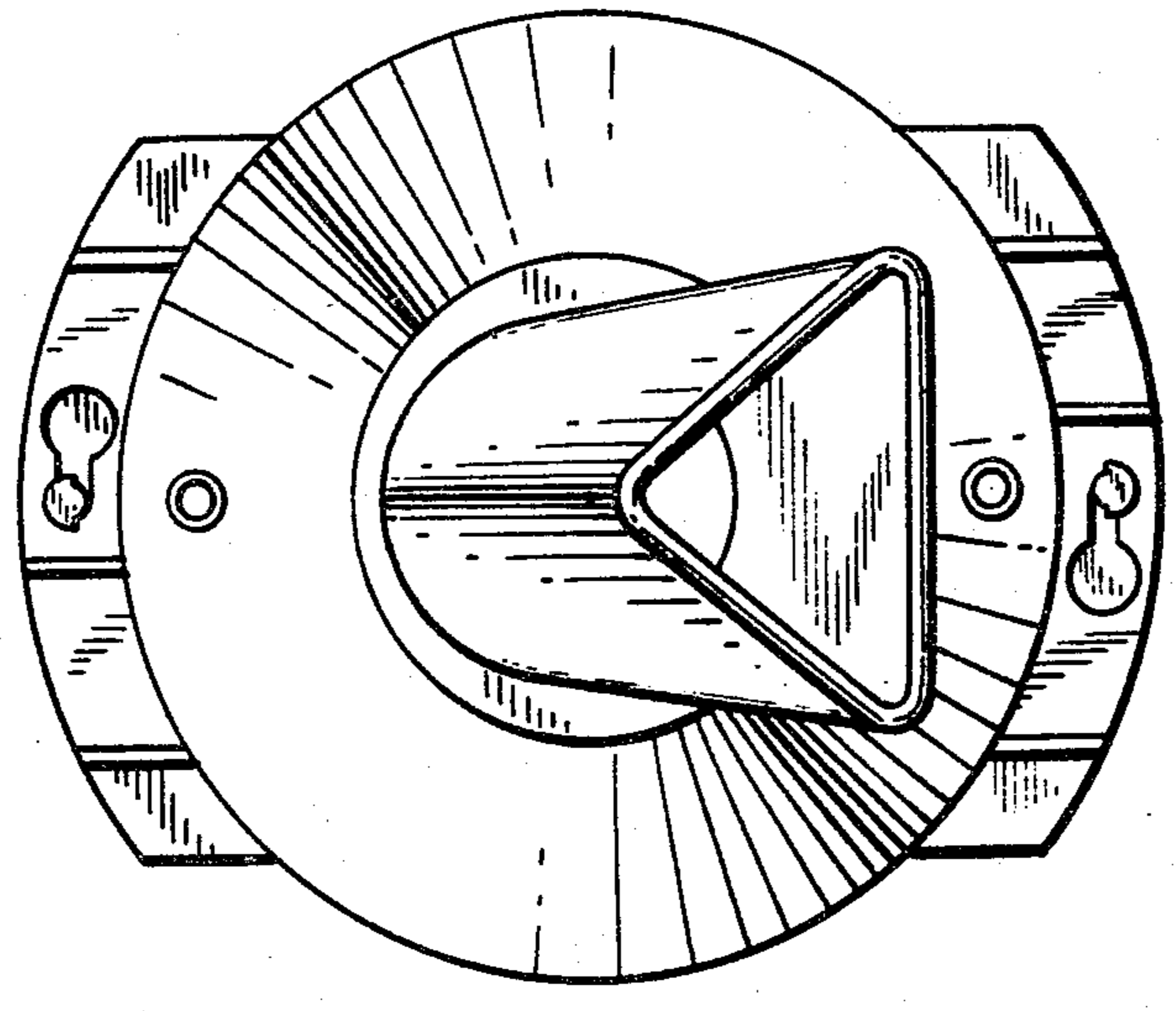


FIG. 2

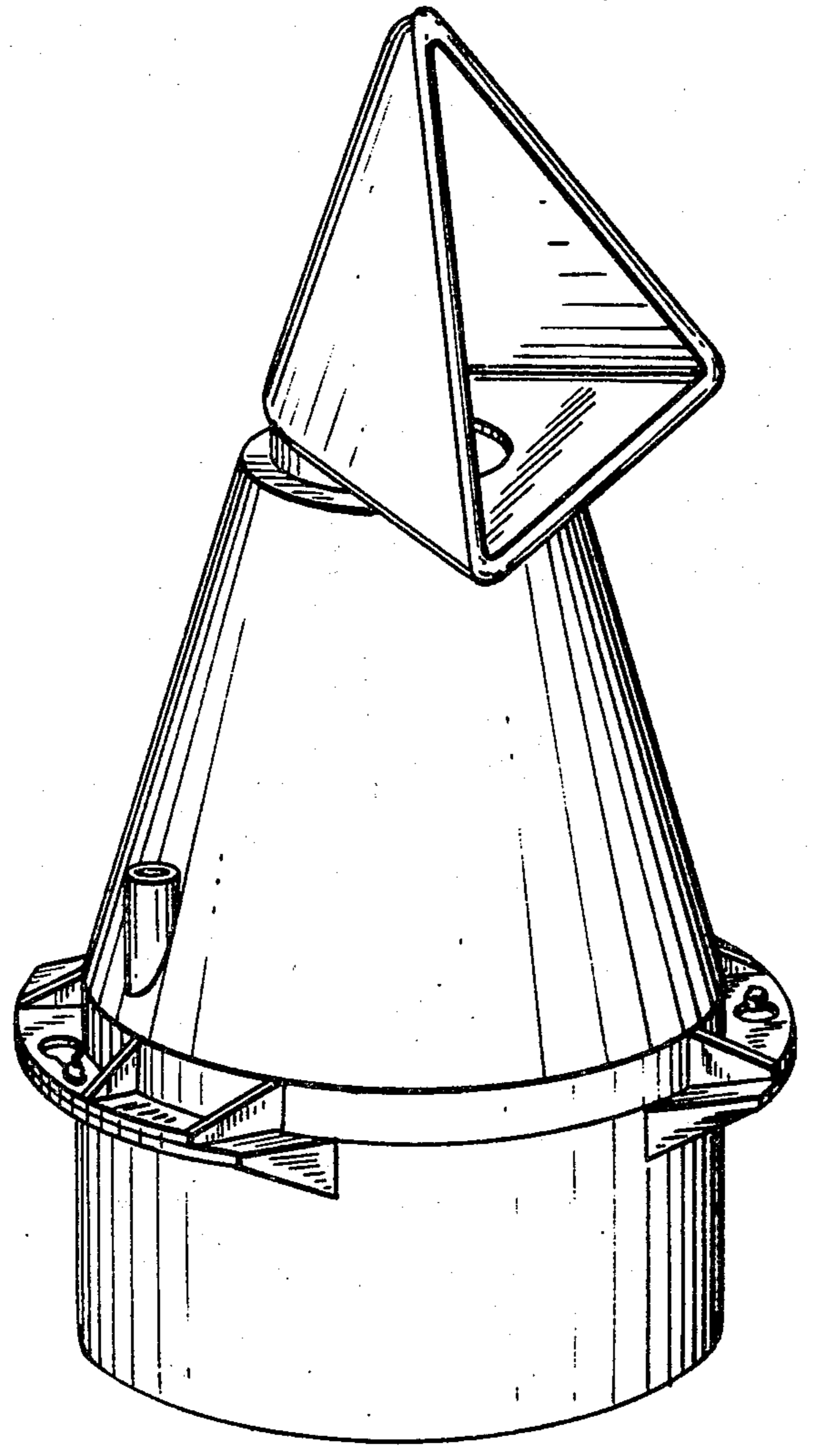


FIG. 3

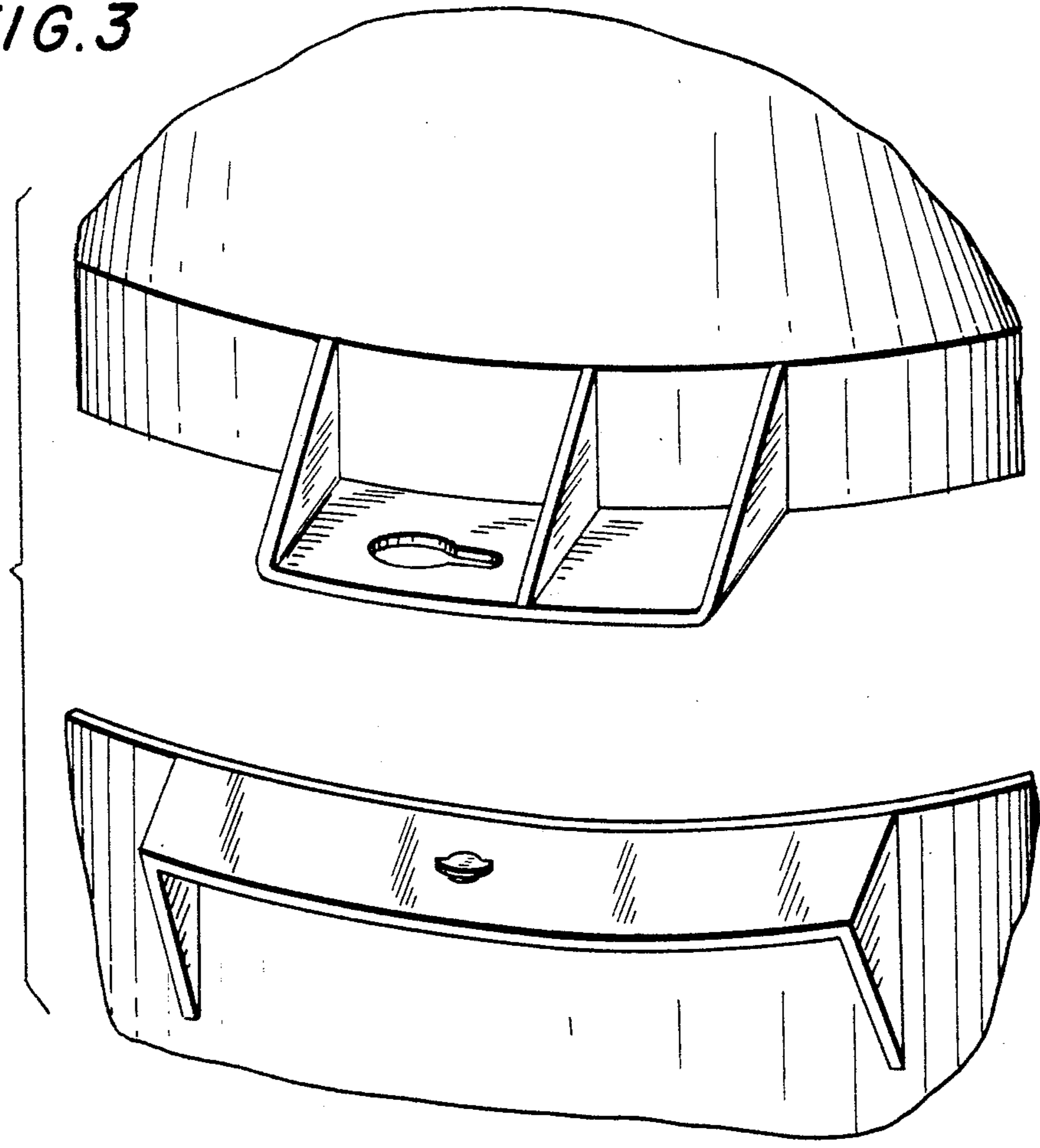


FIG. 4

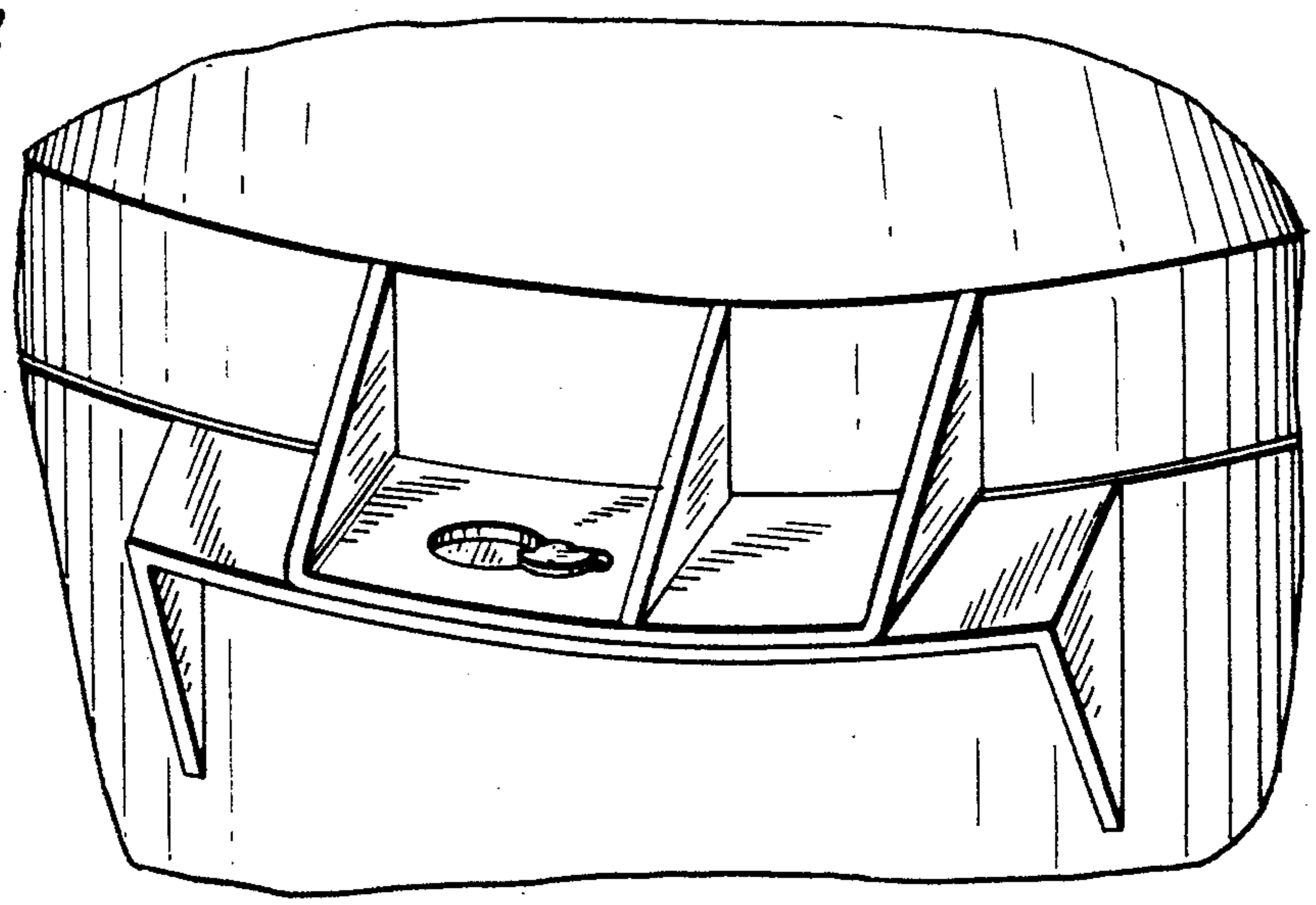


FIG. 5

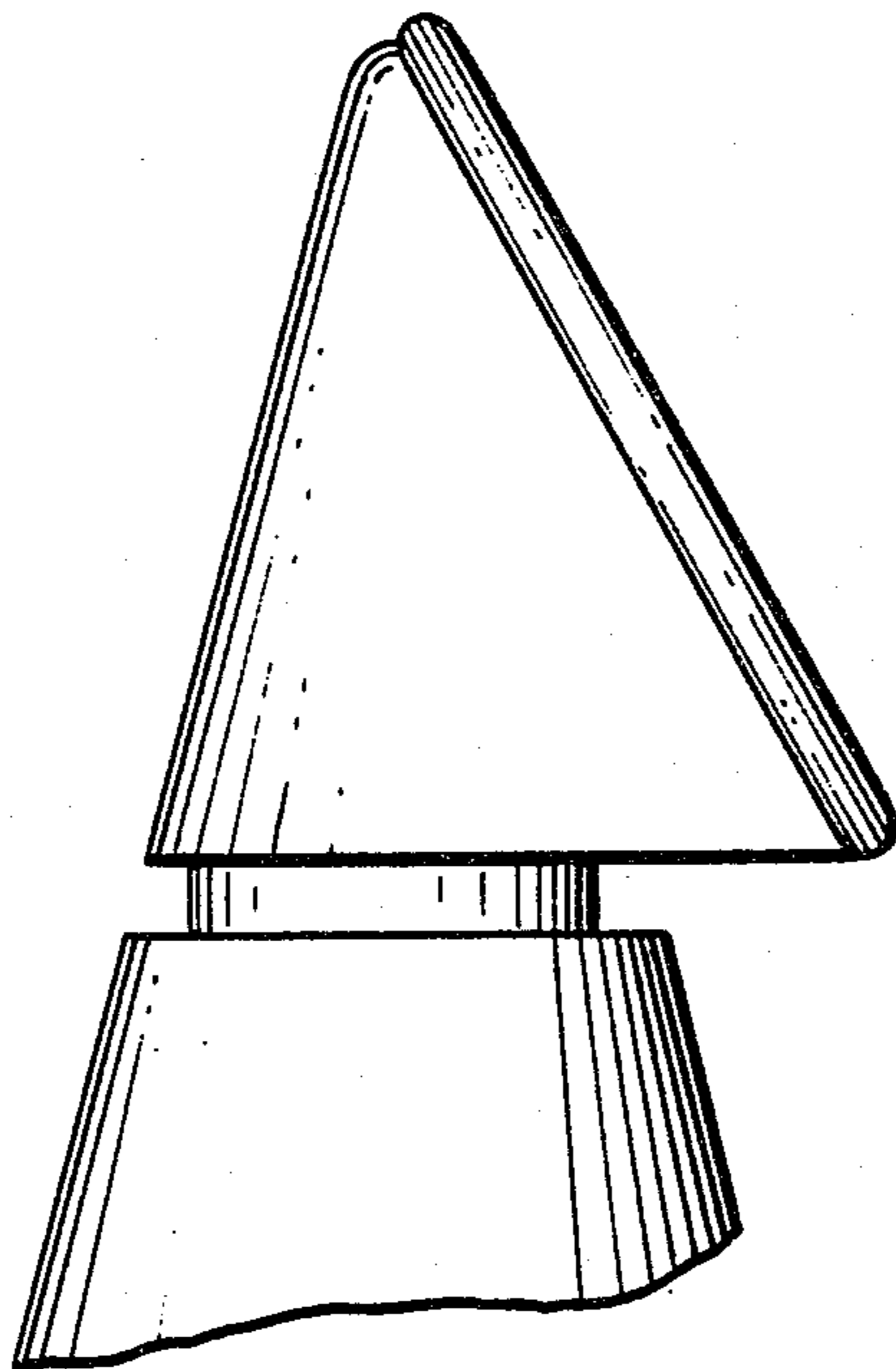


FIG. 6

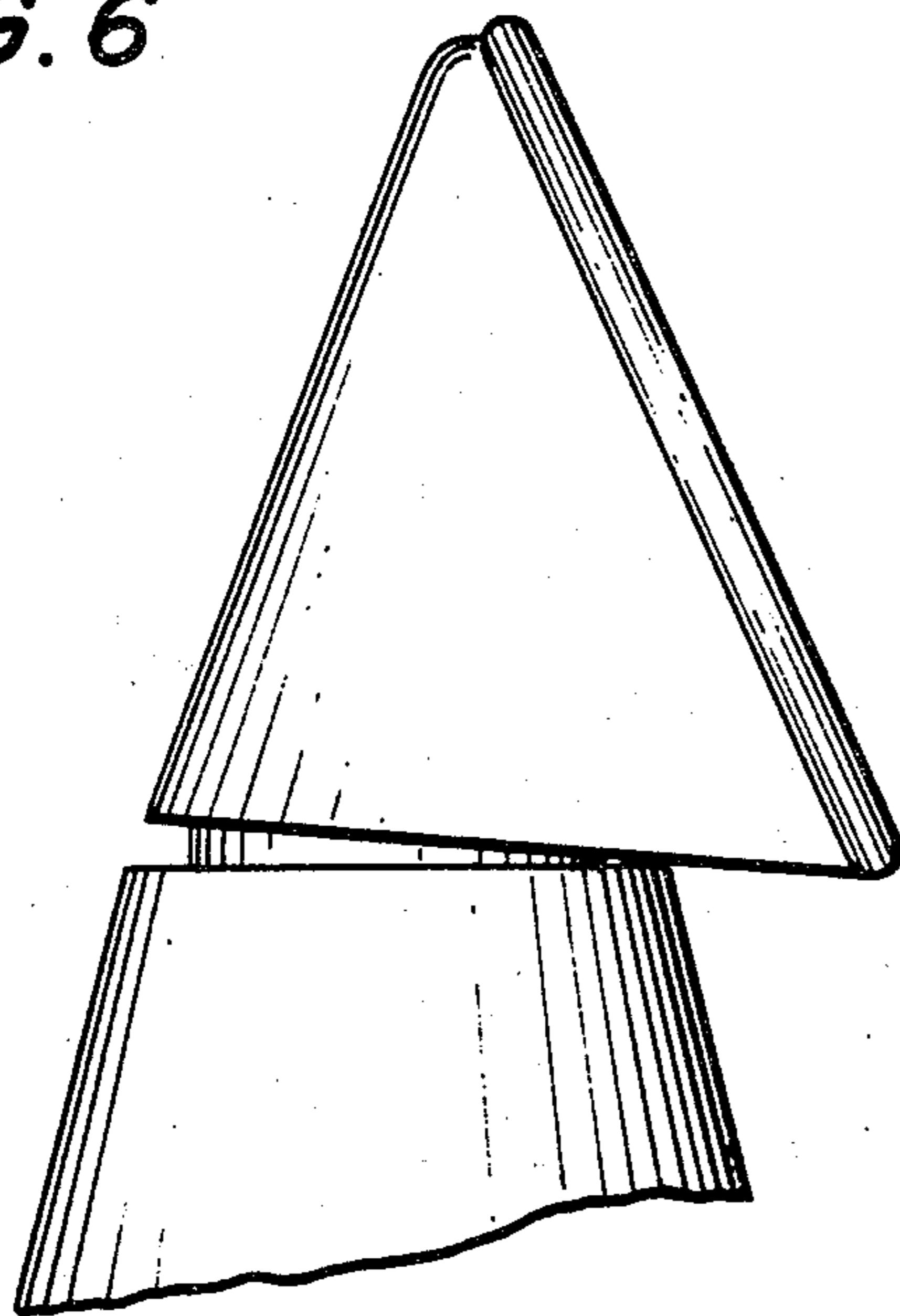


FIG. 7

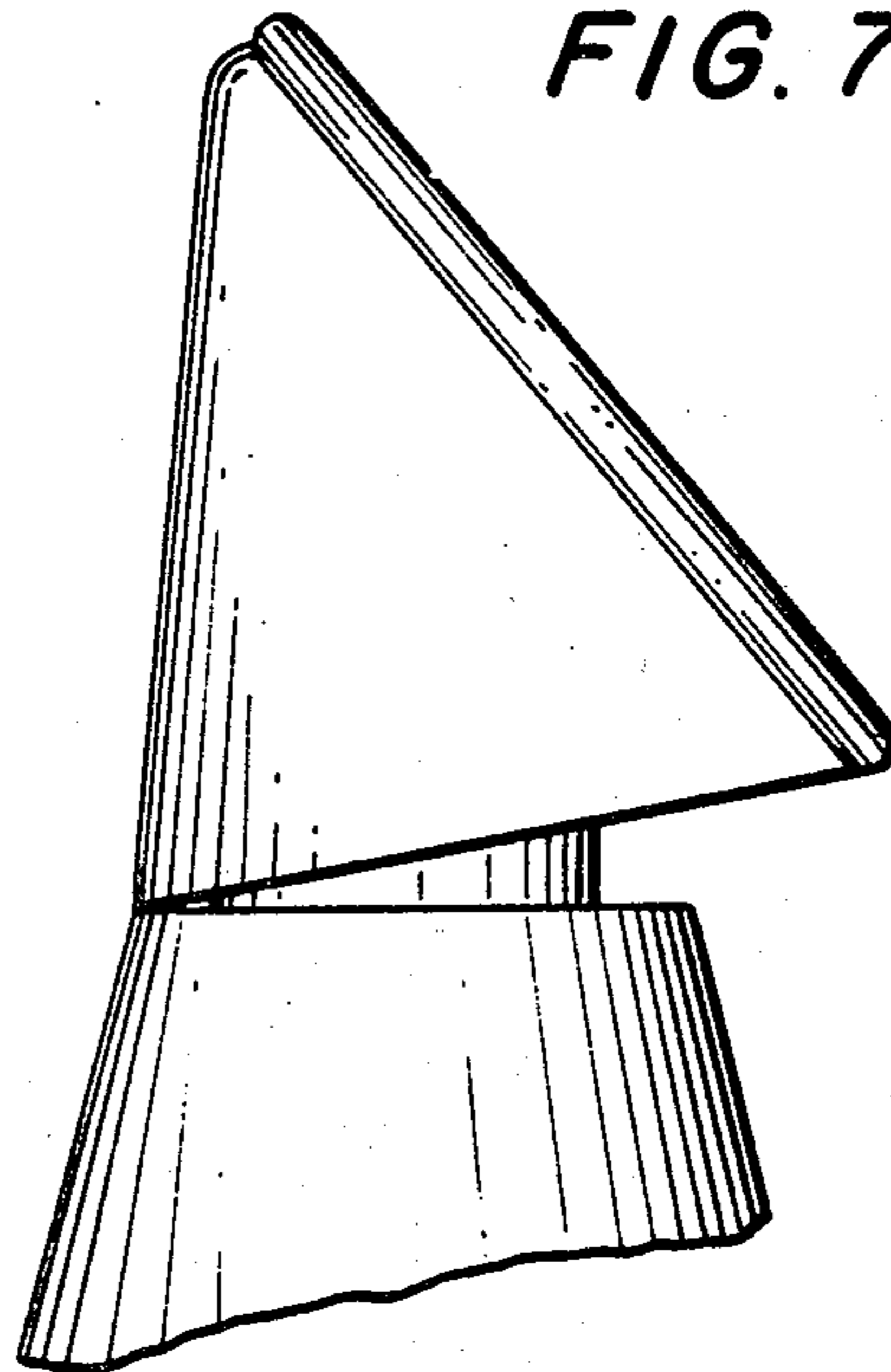


FIG. 8

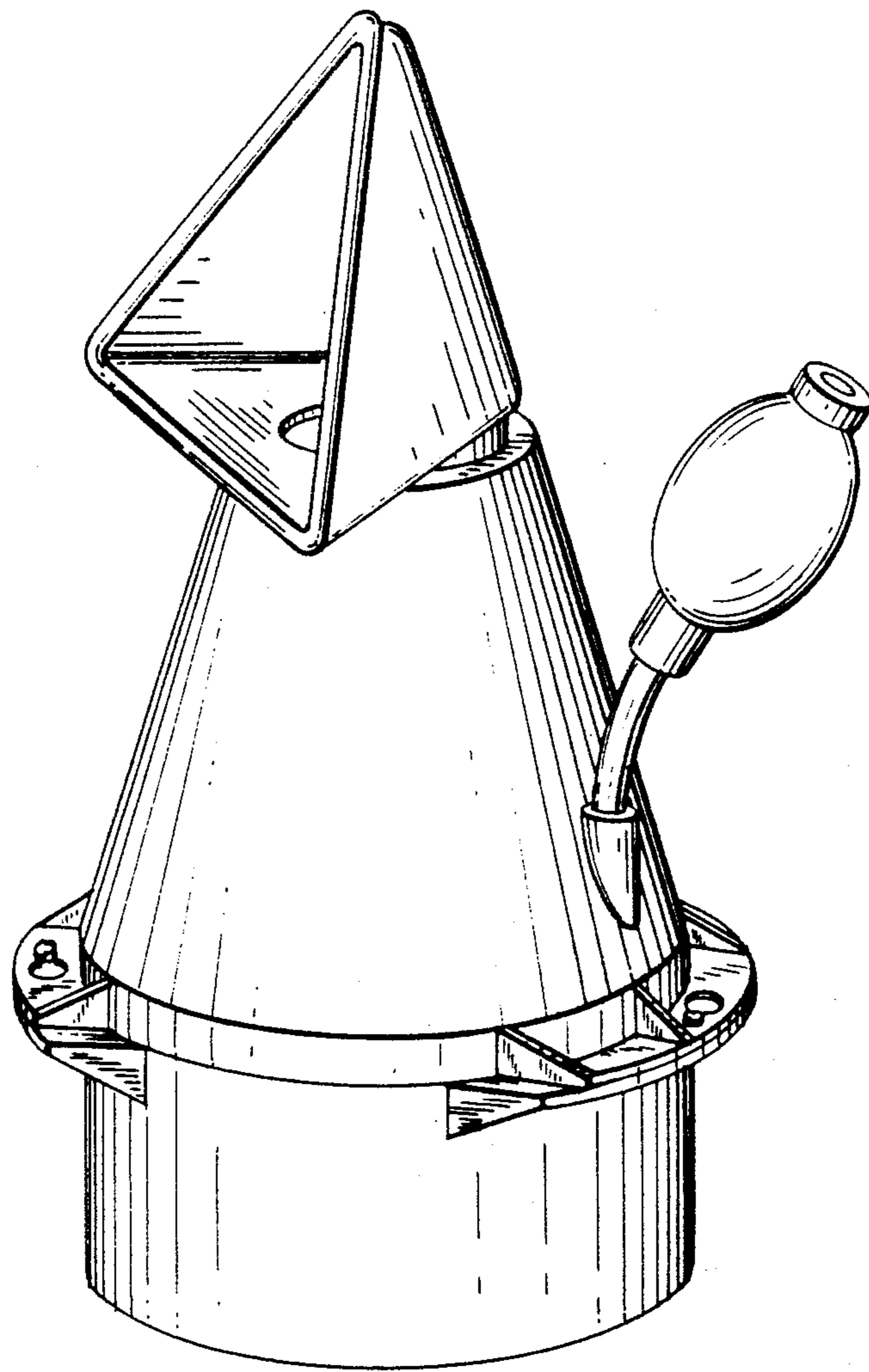


FIG. 9

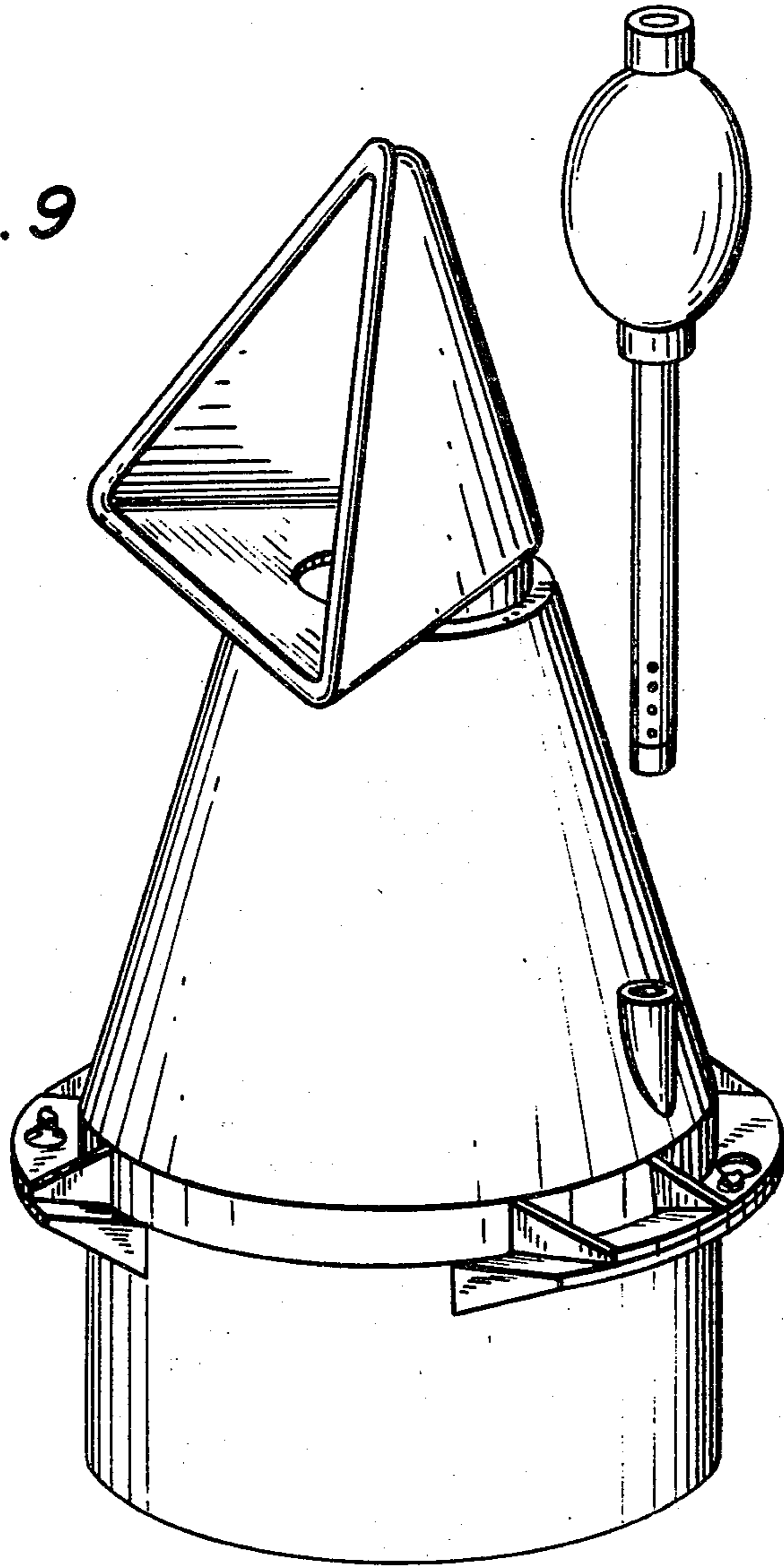


FIG. 10

