

[54] COMBINED ACETABULUM SIZER AND DRILL GUIDE

[75] Inventor: Robert V. Kenna, Saddle River, N.J.

[73] Assignee: Howmedica, Inc., New York, N.Y.

[**] Term: 14 Years

[21] Appl. No.: 543,206

[22] Filed: Oct. 19, 1983

[52] U.S. Cl. D24/26; D24/8; D24/27; D24/33

[58] Field of Search D24/33, 8; 3/1.912, 3/1.913, 1.91, 303 R, 305; 128/92 E

[56] References Cited

U.S. PATENT DOCUMENTS

4,475,549 10/1984 OH 128/303 R

OTHER PUBLICATIONS

Journal of Bone and Joint Surgery, Nov. 1951, Im-

proved Instr. for Hip Arthroplasty, p. 12, Female Eccentric Reamer for Femoral Head. Zimmer-Medical/Surgical Products, 1981, Item 40333-39 Cup Holder and Guide, p. A70.

Primary Examiner—A. Hugo Word
Assistant Examiner—Stella M. Reid
Attorney, Agent, or Firm—Charles J. Knuth; Peter C. Richardson; Harold W. Ordway

[57] CLAIM

The ornamental design for a combined acetabulum sizer and drill guide, as shown and described.

DESCRIPTION

FIG. 1 is a left side elevational view of a combined acetabulum sizer and drill guide showing my new design;

FIG. 2 is a top plan view thereof;

FIG. 3 is a bottom plan view thereof;

FIG. 4 is a front elevational view thereof;

FIG. 5 is a right side elevational view thereof; and

FIG. 6 is a rear elevational view thereof.

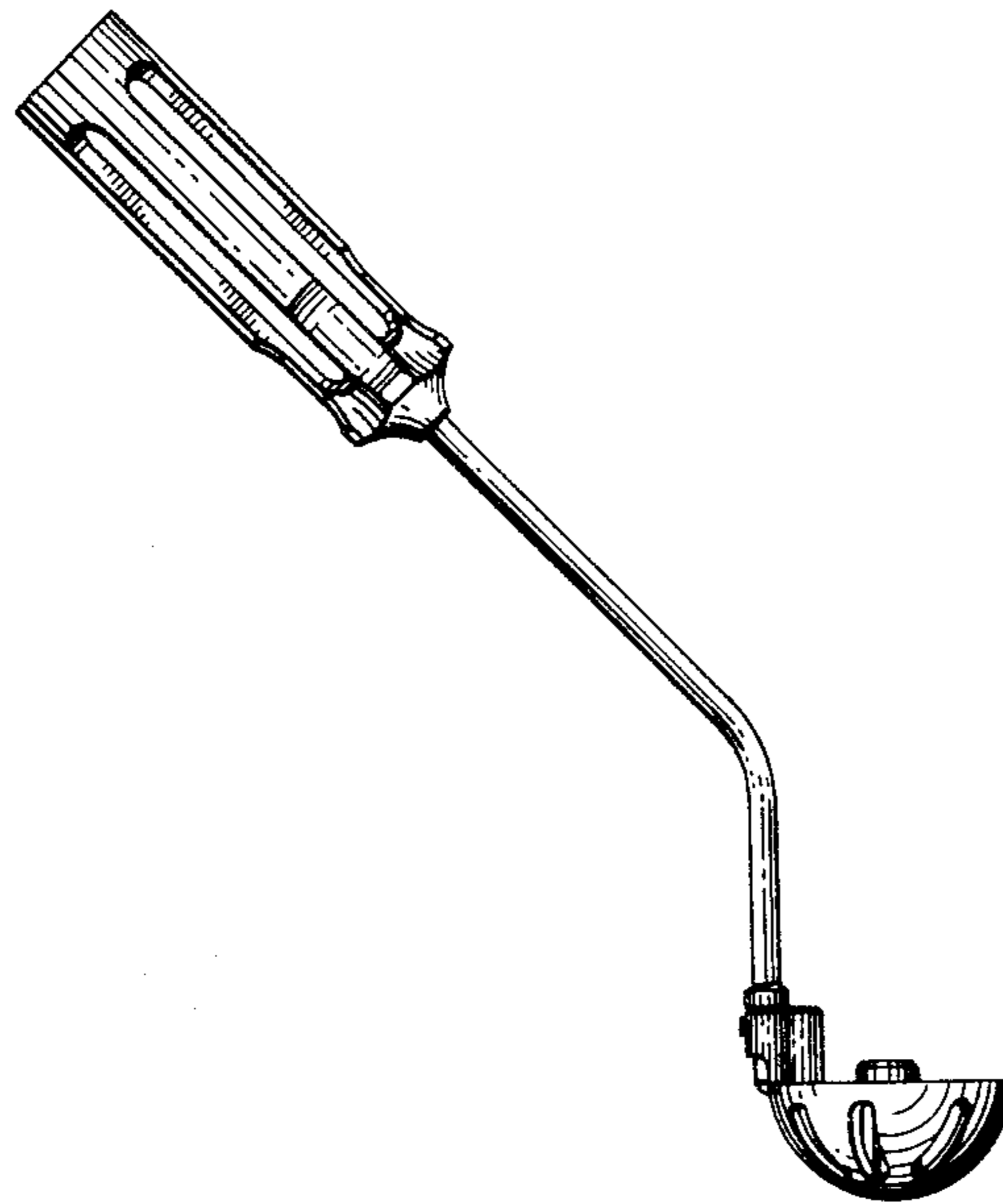


Fig. 2.

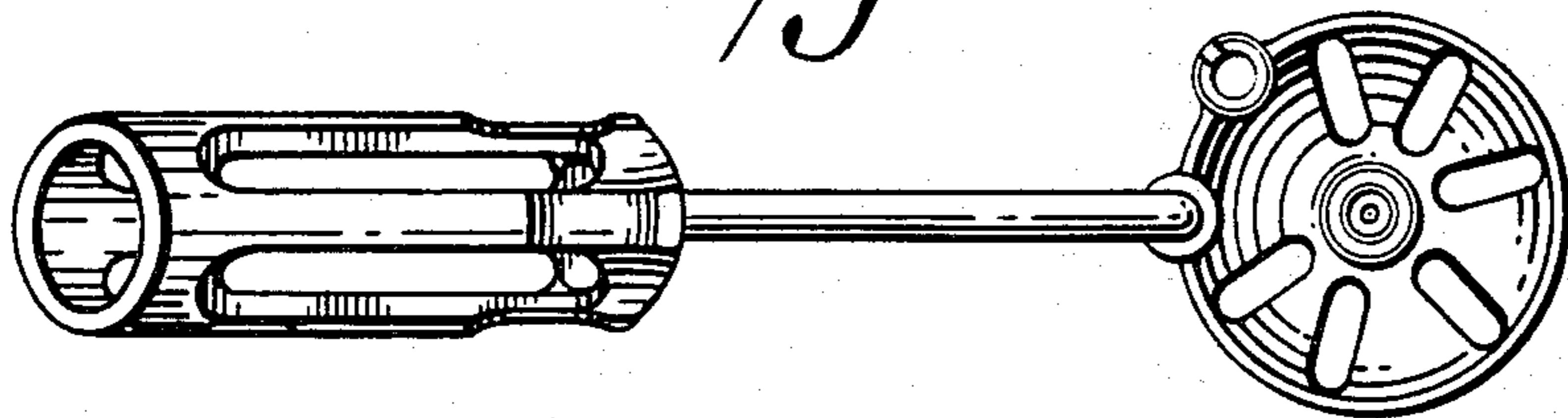


Fig. 4.

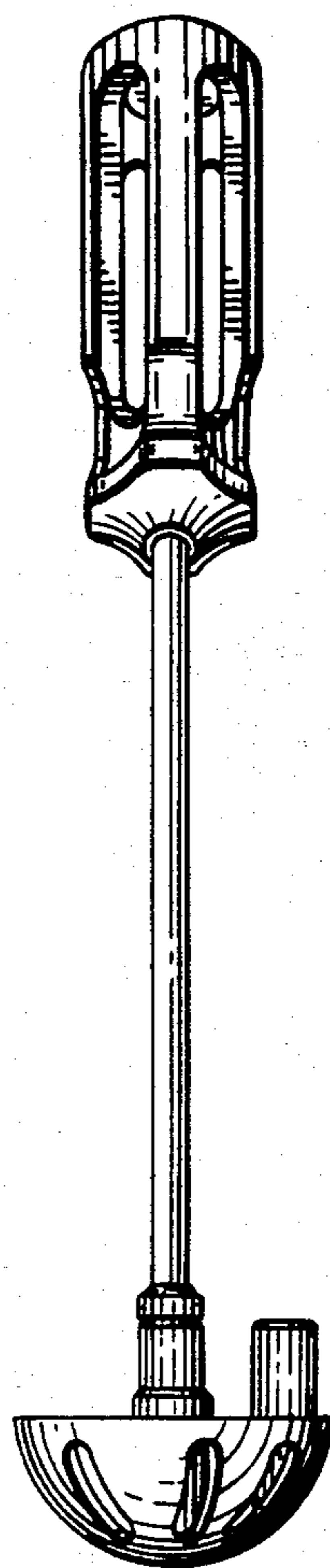


Fig. 1.

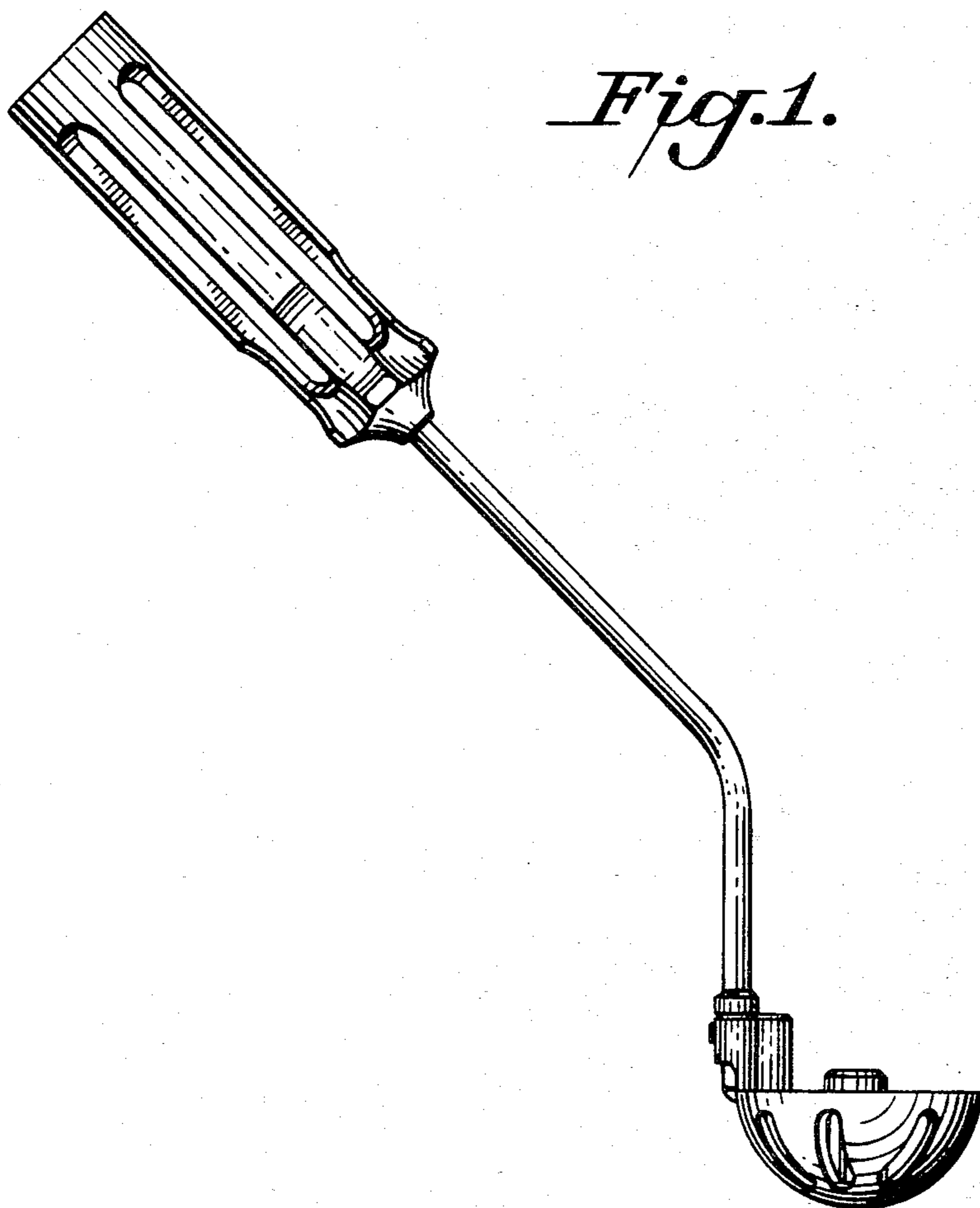


Fig. 3.

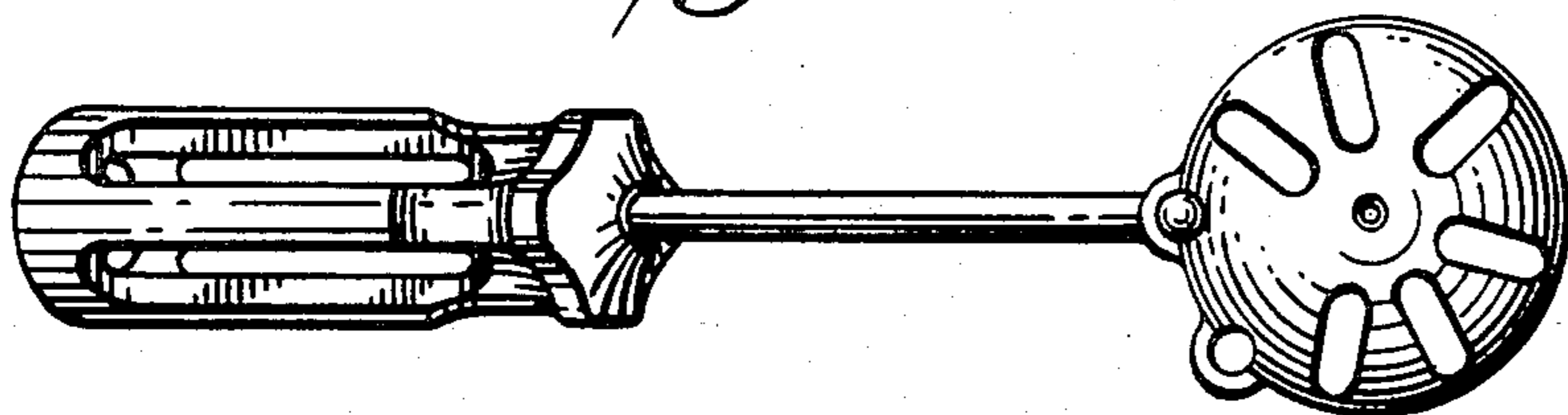


Fig. 5.

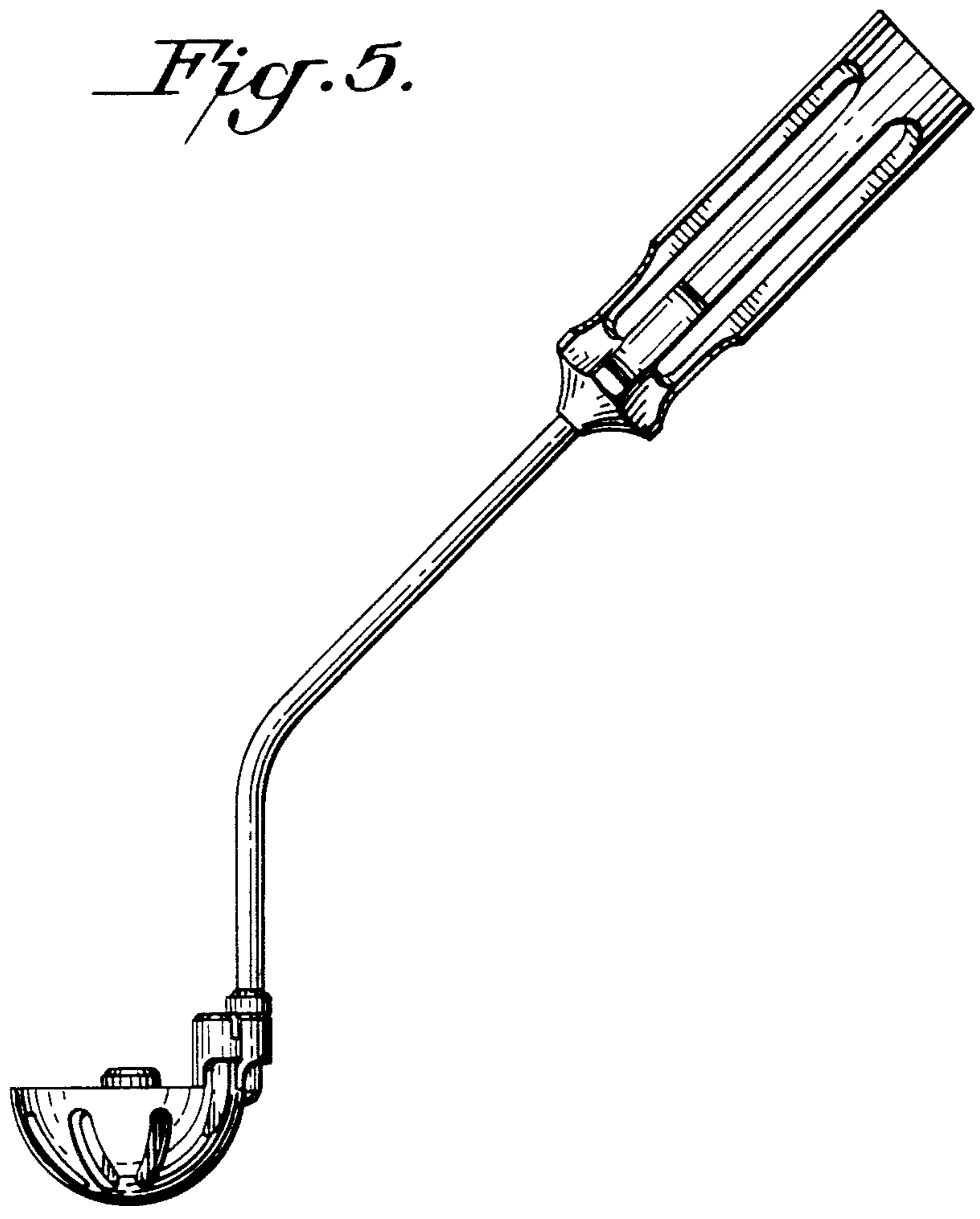


Fig. 6.

