

[54] **LAVATORY FAUCET SET**

D. 265,579 7/1982 Paul D23/25

[76] **Inventor: Gerhard E. Joerger,**
Hans-Thoma-Strasse 89-99, 6800
Mannheim 25, Fed. Rep. of Germany

OTHER PUBLICATIONS

House & Garden, Feb. 1961, Five items on the left side of the page.

House & Home, Jan. 1966, p. 70.

House & Home, Jan. 1966 p. 124, left center item.

Interiors, Jul. 1958, p. 107, "Cellini Cherub" item.

[**] **Term: 14 Years**

Primary Examiner—James R. Largen

Attorney, Agent, or Firm—Jordan and Hamburg

[21] **Appl. No.: 493,097**

[22] **Filed: May 9, 1983**

[30] **Foreign Application Priority Data**

Nov. 8, 1982 [DE] Fed. Rep. of Germany MR
V/1249

[57] **CLAIM**

The ornamental design for a lavatory faucet set, substantially as shown and described.

[52] **U.S. Cl. D23/25**

[58] **Field of Search D23/25; D23/23-32**

DESCRIPTION

[56] **References Cited**

U.S. PATENT DOCUMENTS

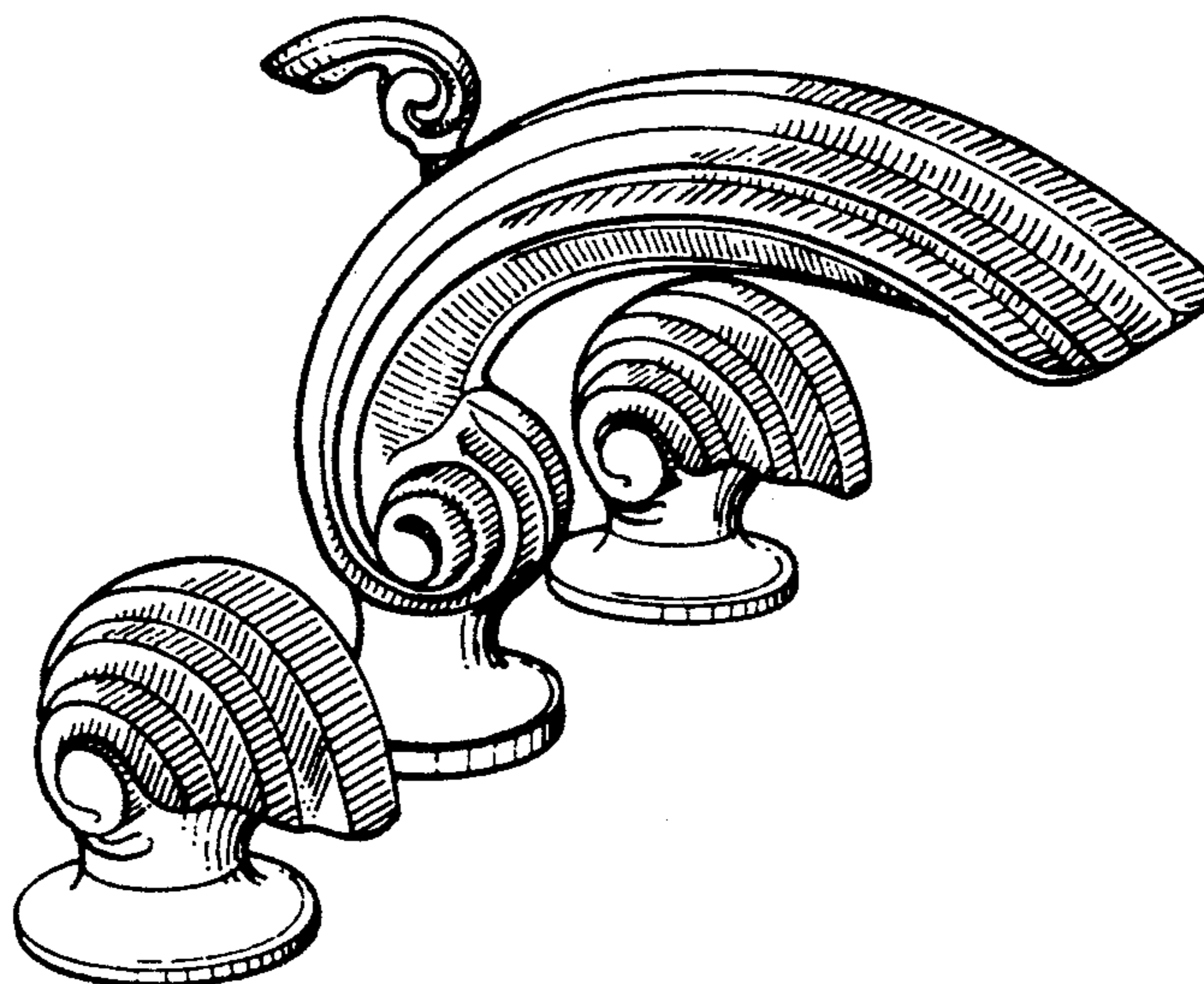
D. 237,613 11/1975 Saporito et al. D23/25

D. 258,522 3/1981 Thevenot D23/25

FIG. 1 is a perspective view of a lavatory faucet set showing my new design;

FIG. 2 is a front elevational view thereof; and

FIG. 3 is a right side elevational view thereof, the left side being a mirror image of the right side shown.



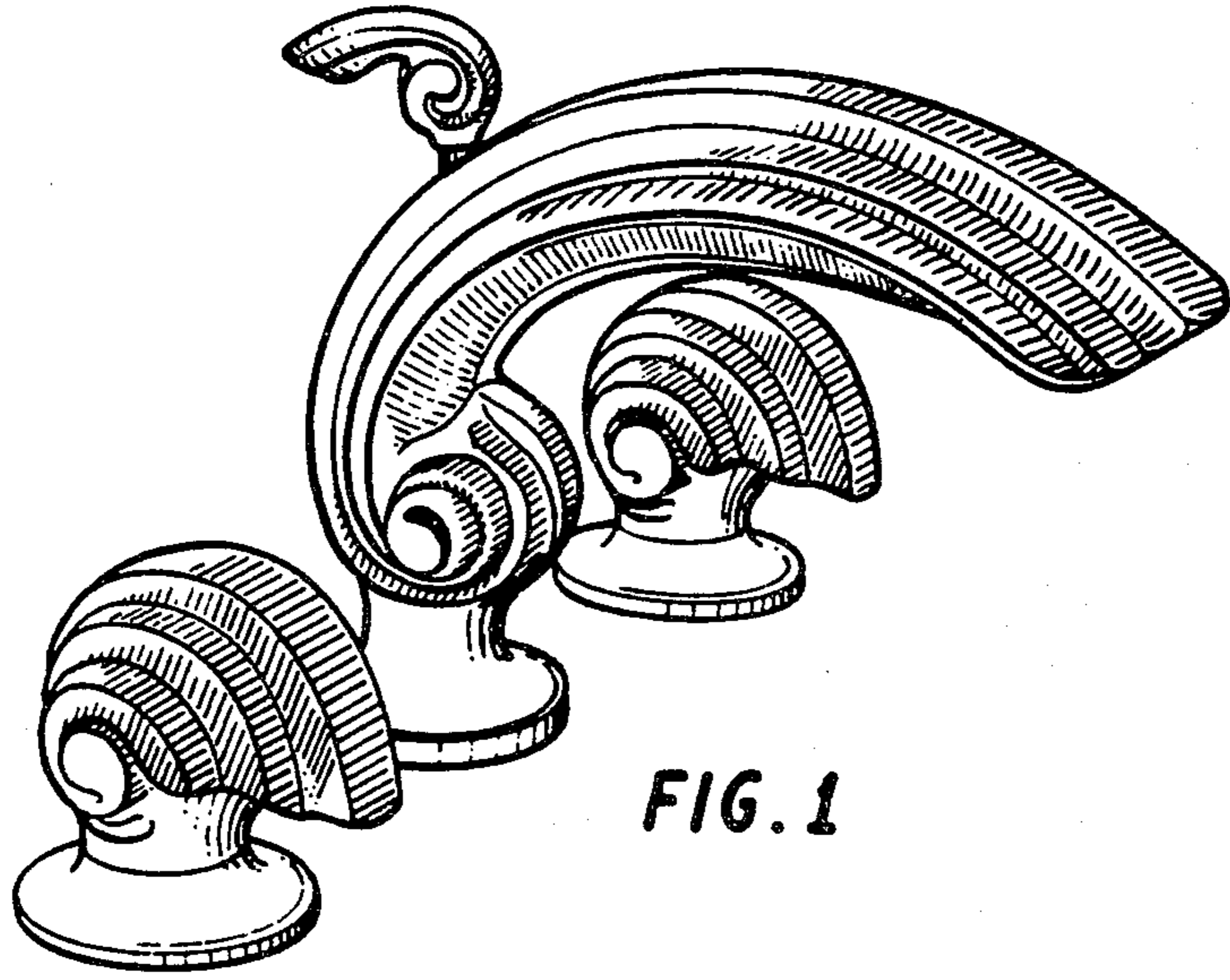


FIG. 1

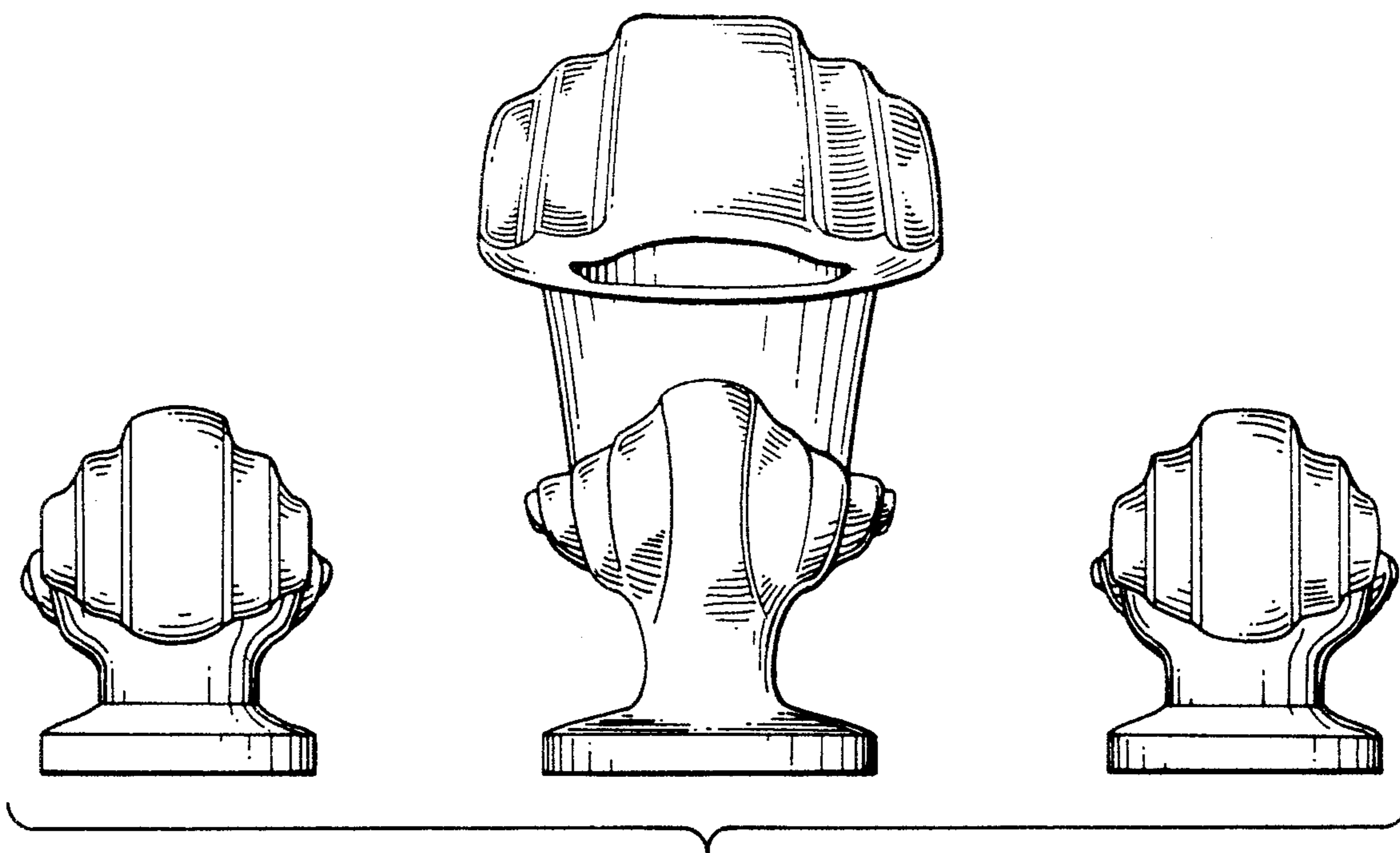


FIG. 2

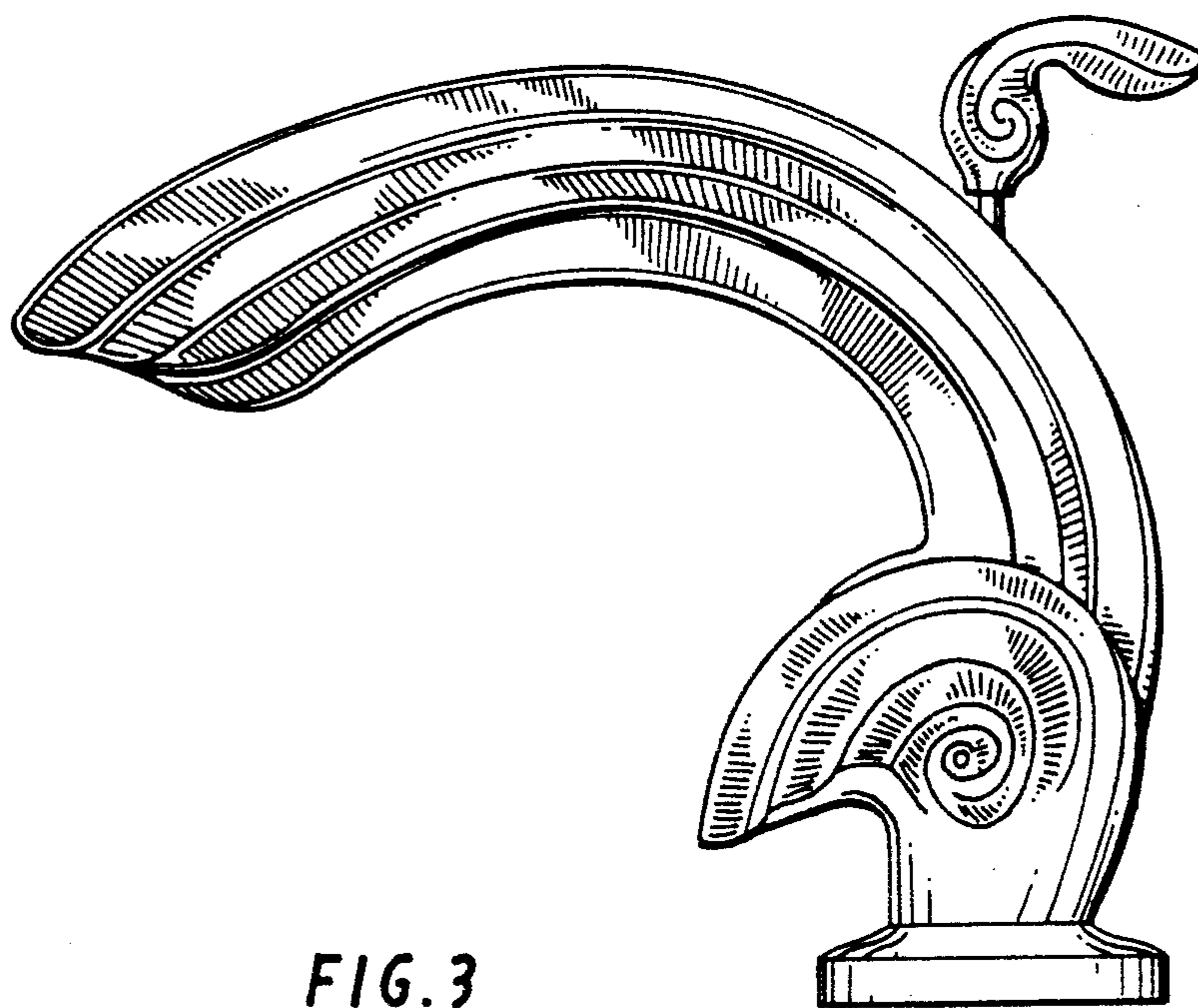


FIG. 3