

United States Patent [19]

Kertai et al.

[11] Patent Number: **Des. 284,882**

[45] Date of Patent: **** Jul. 29, 1986**

[54] **GOLF BALL RETRIEVER**

[76] Inventors: **Nandor J. Kertai**, 73605 Juniper St., Palm Desert, Calif. 92260; **Wallace H. Bishop**, 315 Orchid Tree La., Palm Springs, Calif. 92262

[**] Term: **14 Years**

[21] Appl. No.: **617,617**

[22] Filed: **Jun. 5, 1984**

[52] U.S. Cl. **D21/206**

[58] Field of Search **D21/206, 234; 294/19.2; 273/32 F**

[56] **References Cited**

U.S. PATENT DOCUMENTS

3,276,807 10/1966 Ward 294/19.2

3,887,225 6/1975 McKee 294/19.2
4,493,503 1/1985 Jeninga 294/19.2

Primary Examiner—Melvin B. Feifer
Attorney, Agent, or Firm—Nicholas J. Aquilino

[57] **CLAIM**

The ornamental design for a golf ball retriever, as shown and described.

DESCRIPTION

FIG. 1 is a perspective view of a golf ball retriever showing our new design with a fragmentary broken line showing of a handle for illustrative purposes only. FIG. 2 is a bottom view of the retriever of FIG. 1. FIG. 3 is a side view of the retriever of FIG. 1. FIG. 4 is a rear view of the retriever of FIG. 1. FIG. 5 is a front view of the retriever of FIG. 1. FIG. 6 is a top view of the retriever of FIG. 1.

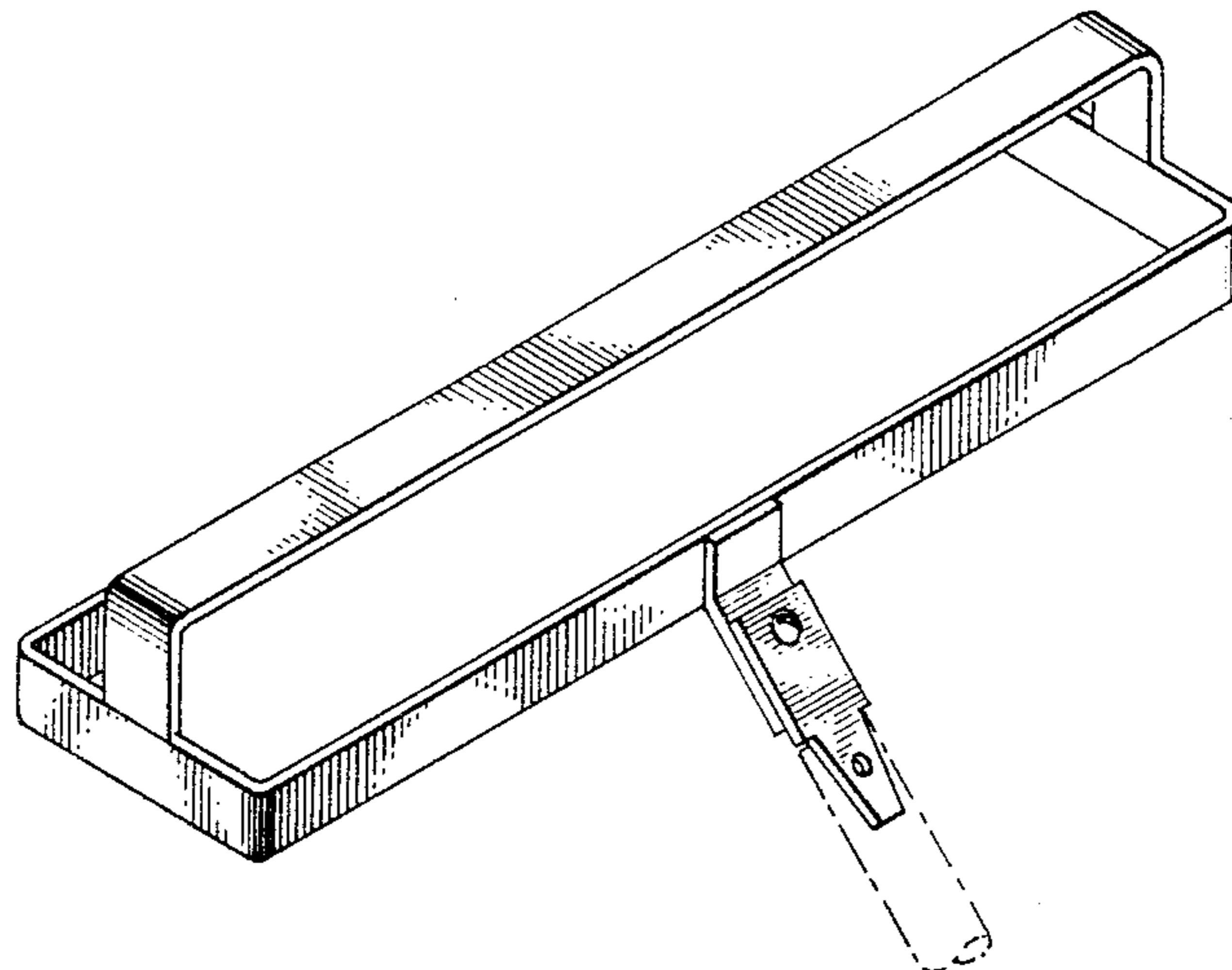


FIG. 1.

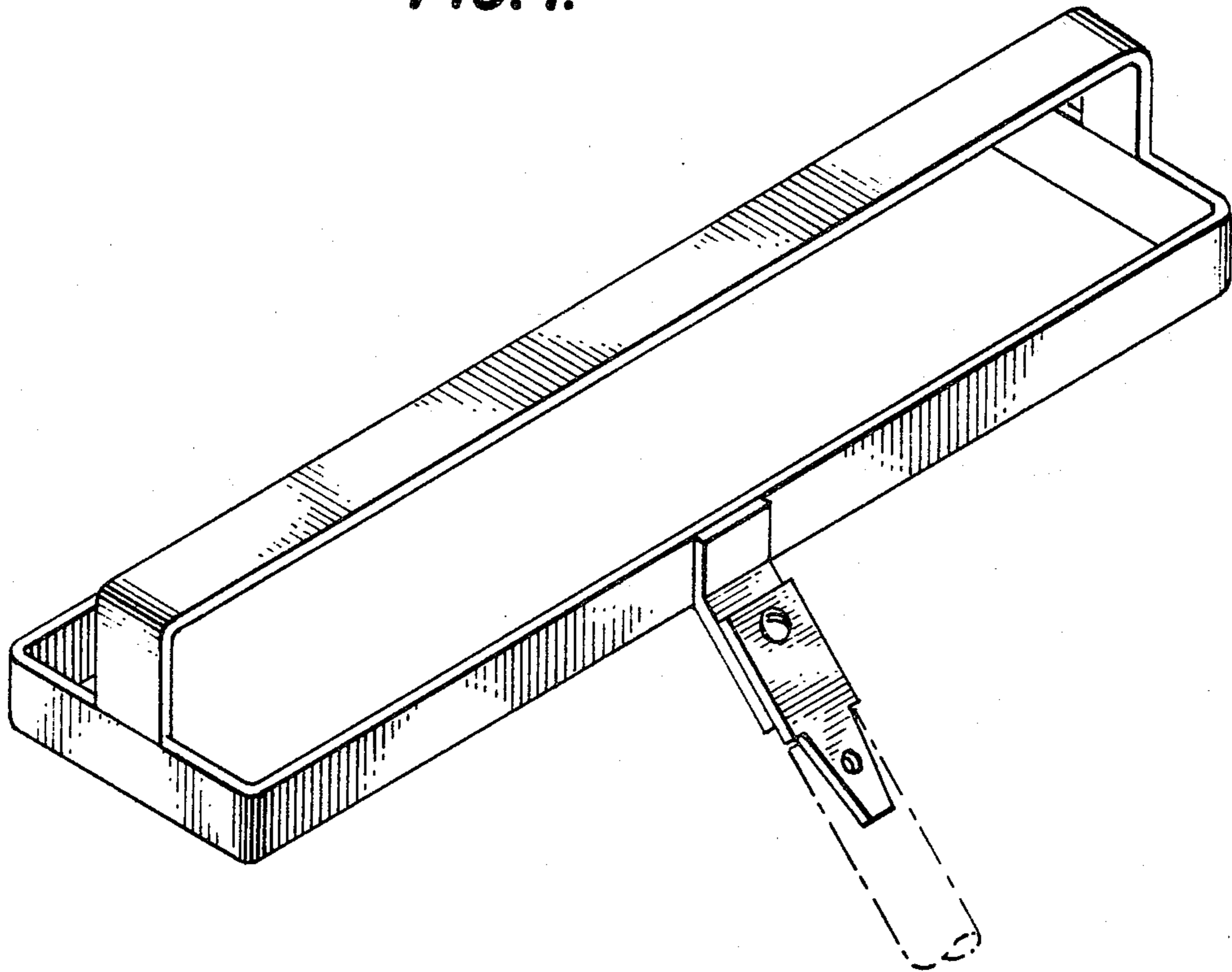


FIG. 2.

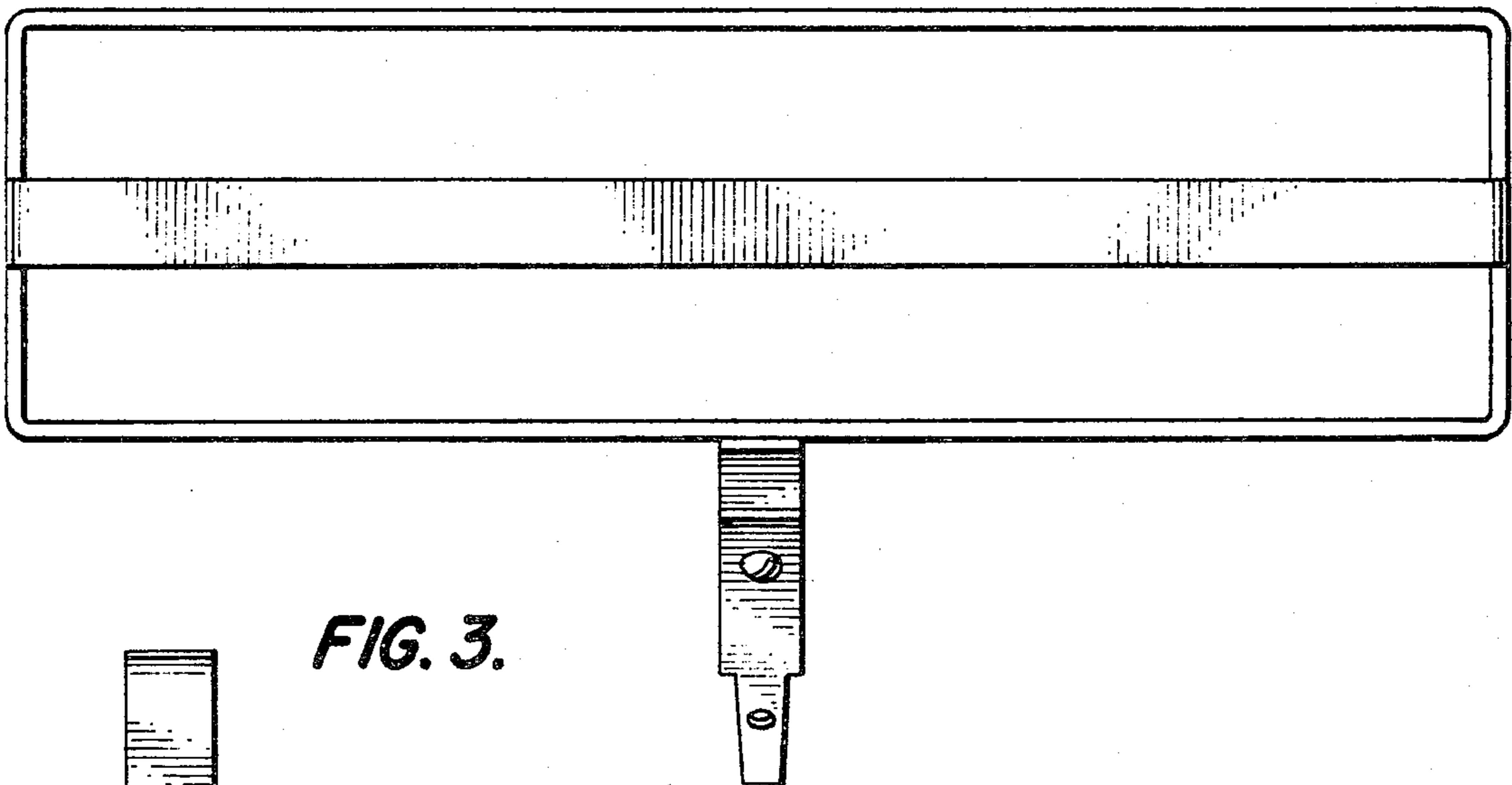


FIG. 3.

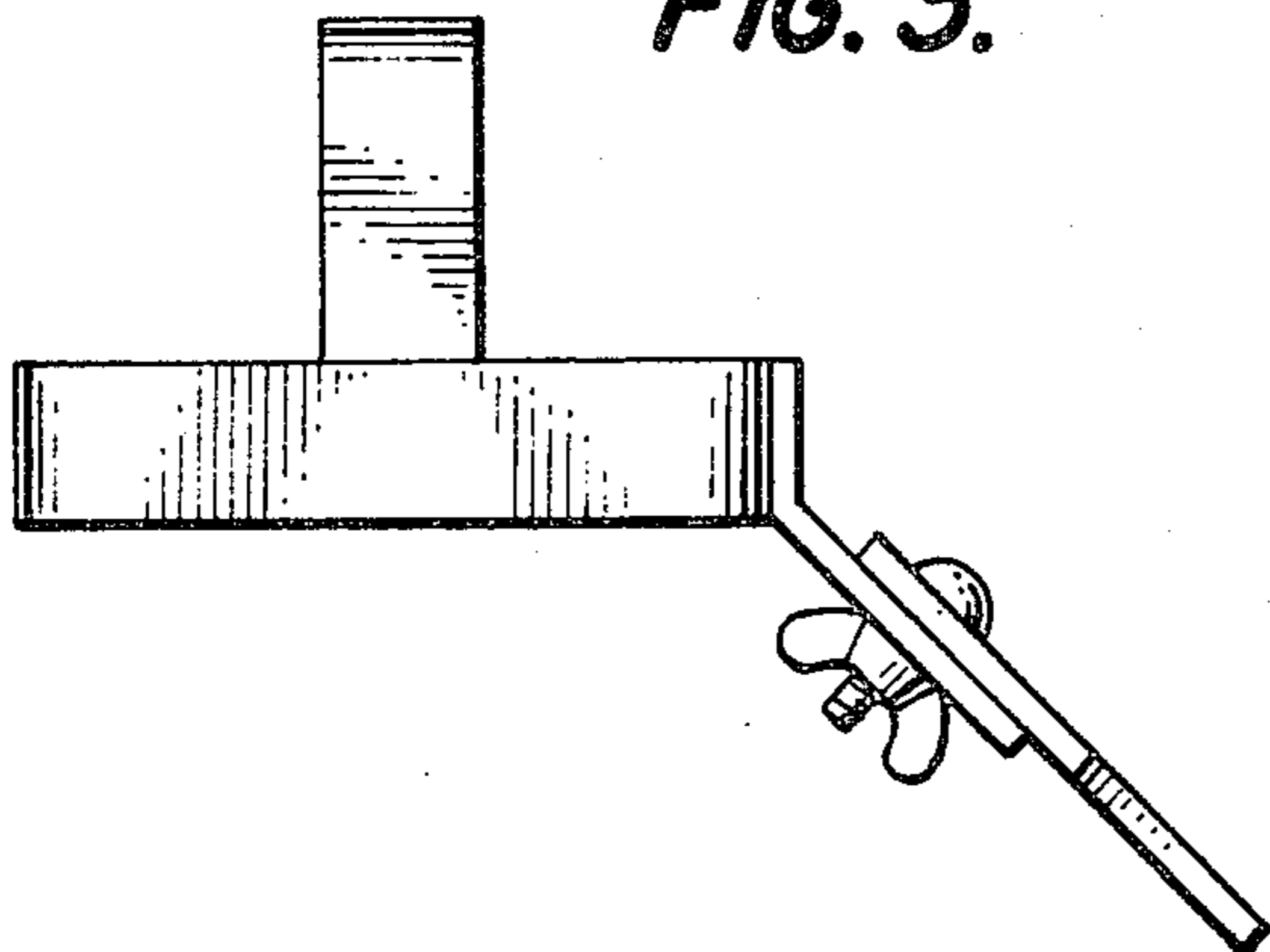


FIG. 4.

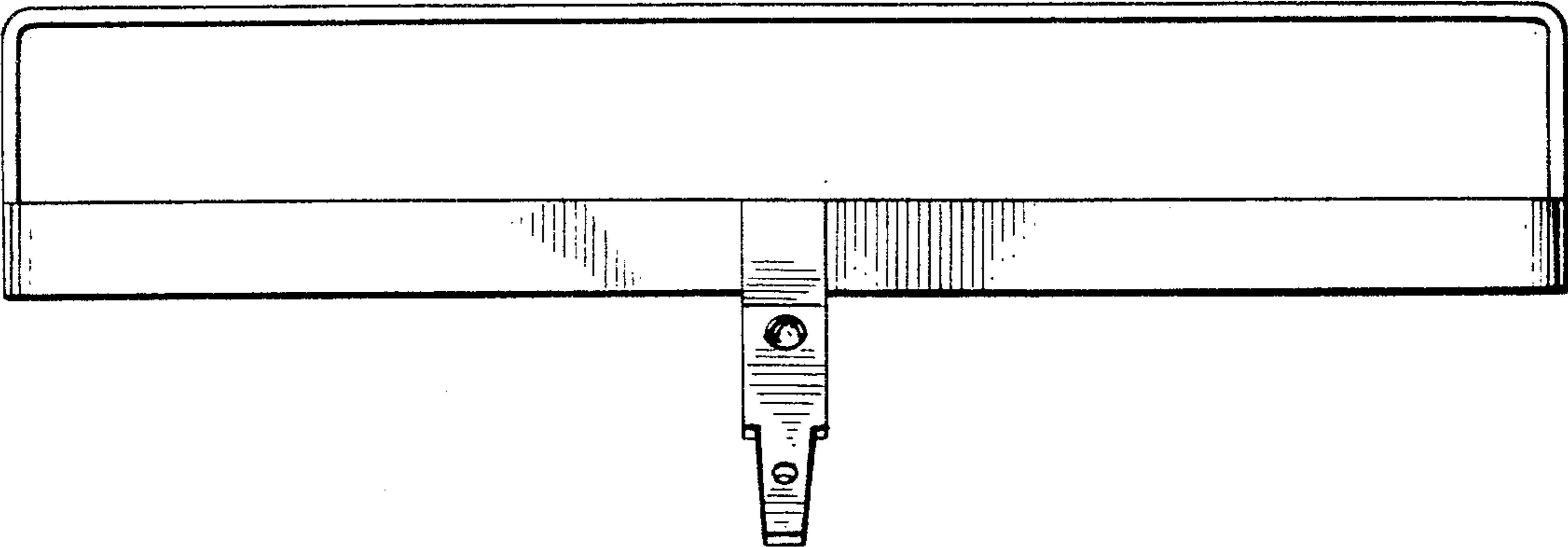


FIG. 5.

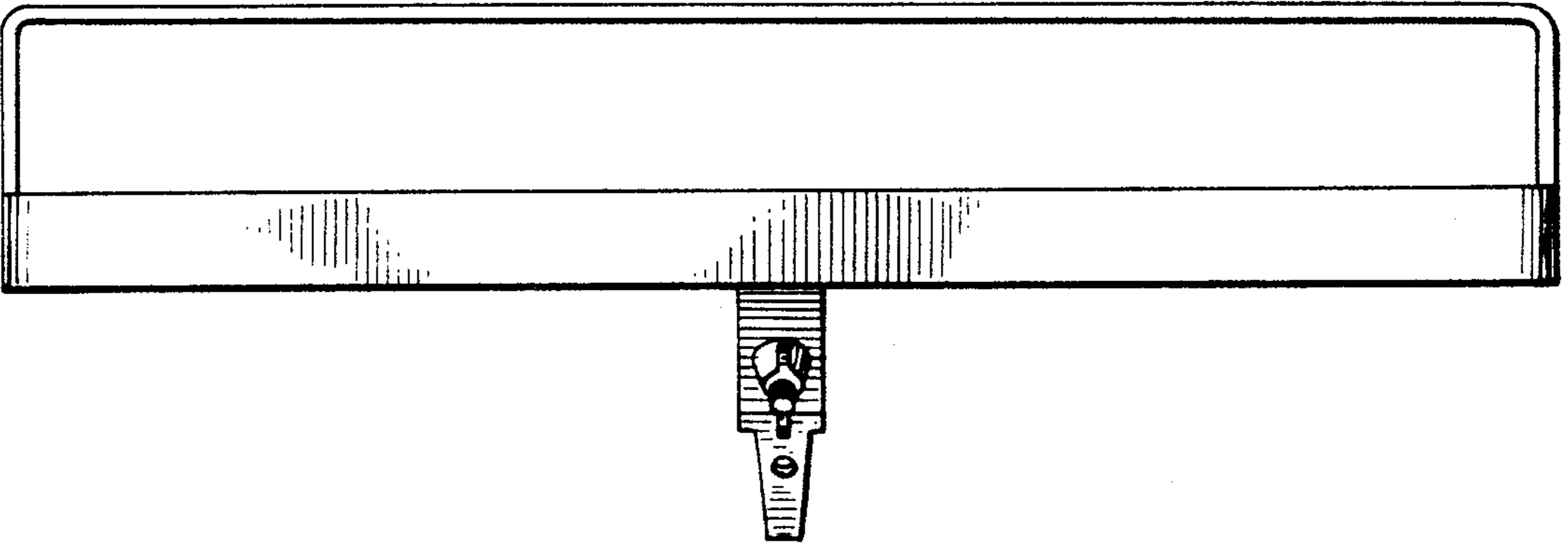


FIG. 6.

