

# United States Patent [19]

Howard

[11] Patent Number: **Des. 284,875**

[45] Date of Patent: **\*\* Jul. 29, 1986**

[54] **DISPLAY SCREEN**

[75] Inventor: **Robert Howard, Thornlie, Australia**

[73] Assignee: **Daventry Pty. Ltd., Australia**

[\*\*] Term: **14 Years**

[21] Appl. No.: **495,613**

[22] Filed: **May 18, 1983**

[30] **Foreign Application Priority Data**

Mar. 10, 1983 [AU] Australia ..... 3164/83

[52] U.S. Cl. .... **D20/10; D16/43; D19/52**

[58] Field of Search ..... 40/606, 602, 605, 611, 40/612, 152.1; D20/10; D19/52; D16/43

[56] **References Cited**

**U.S. PATENT DOCUMENTS**

2,236,888	4/1941	Bishop .....	40/606 X
2,345,913	4/1944	Bishop .....	40/606
2,454,648	11/1948	Green .....	40/606 X
2,880,534	4/1959	Lund .....	40/152.1 X

*Primary Examiner*—Catherine E. Kemper  
*Attorney, Agent, or Firm*—Harness, Dickey & Pierce

[57] **CLAIM**

The ornamental design for a display screen, substantially as shown.

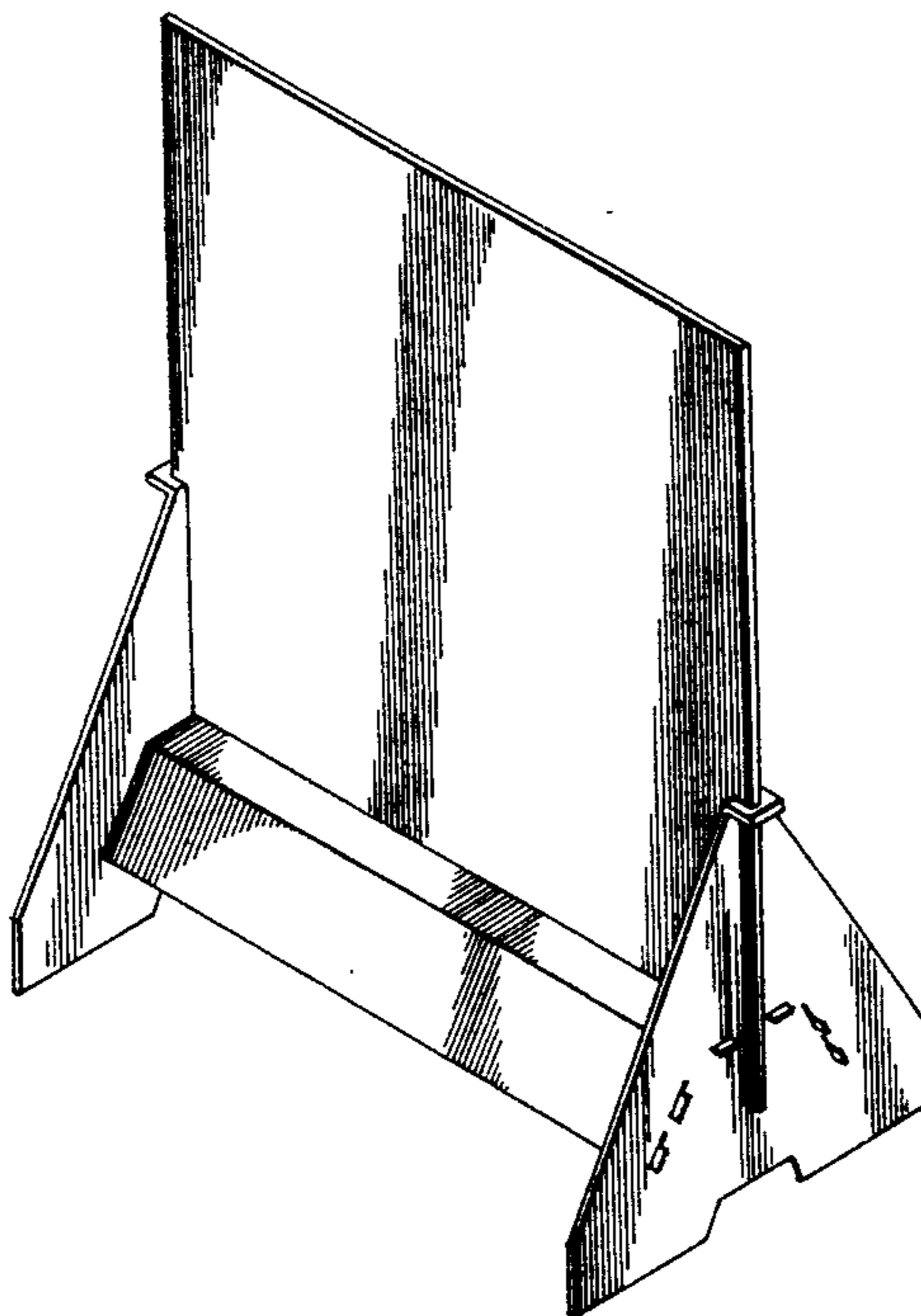
**DESCRIPTION**

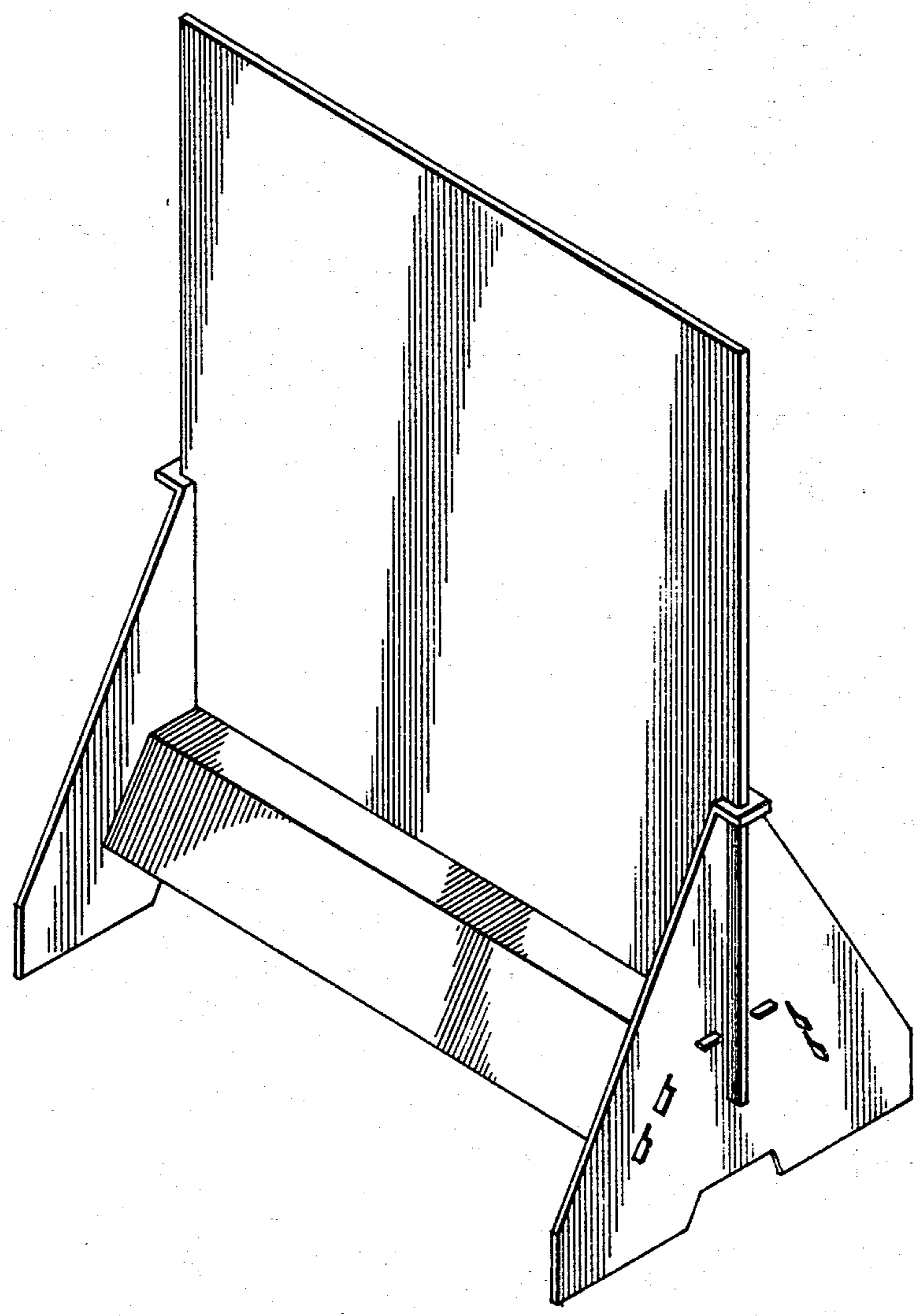
FIG. 1 is a top front perspective view of a display screen, showing my new design;

FIG. 2 is a bottom rear perspective view thereof;

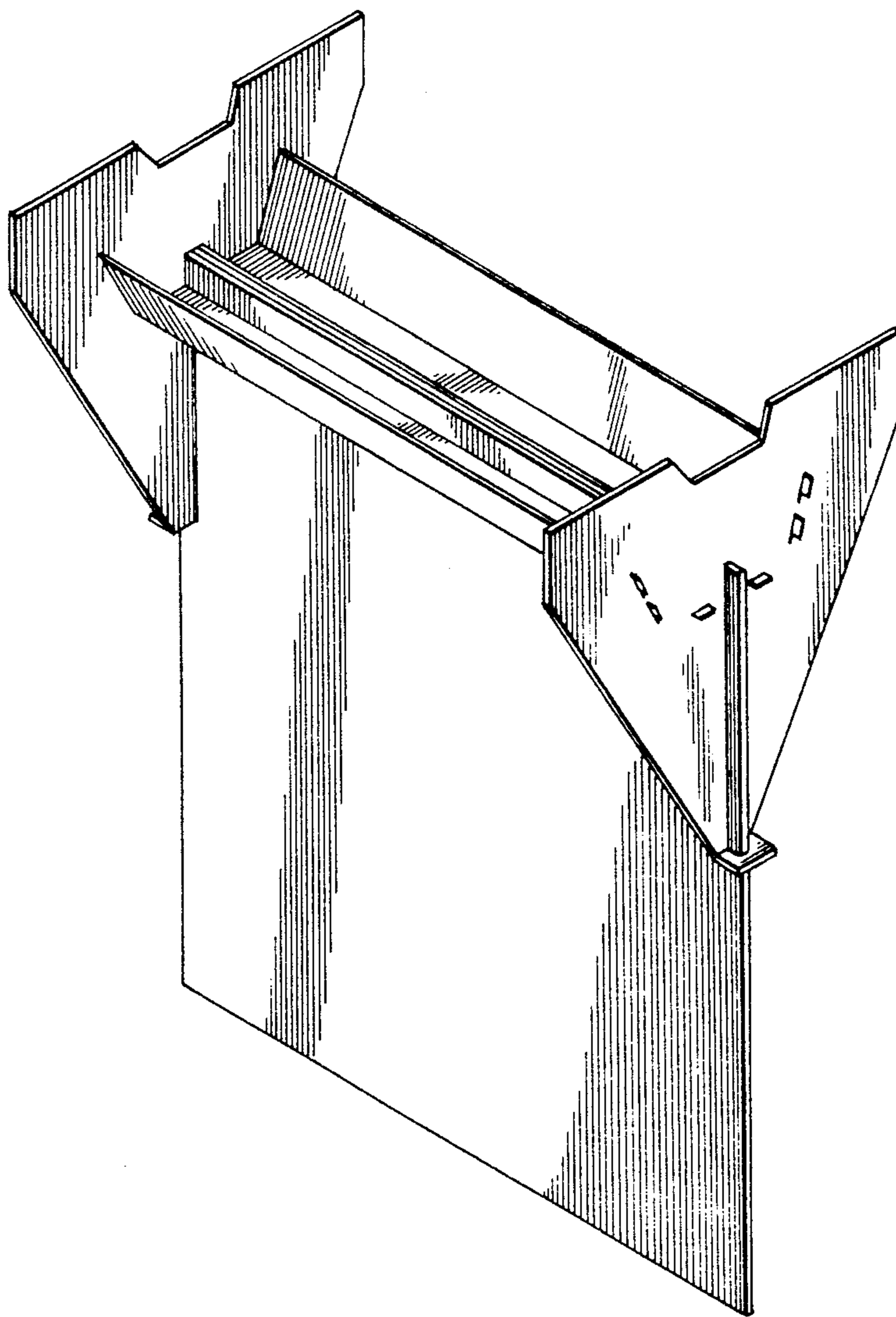
FIG. 3 is a plan view of the blank for the support panel portion of the display screen;

FIG. 4 is a plan view of the blank for the end panel portion of the display screen.

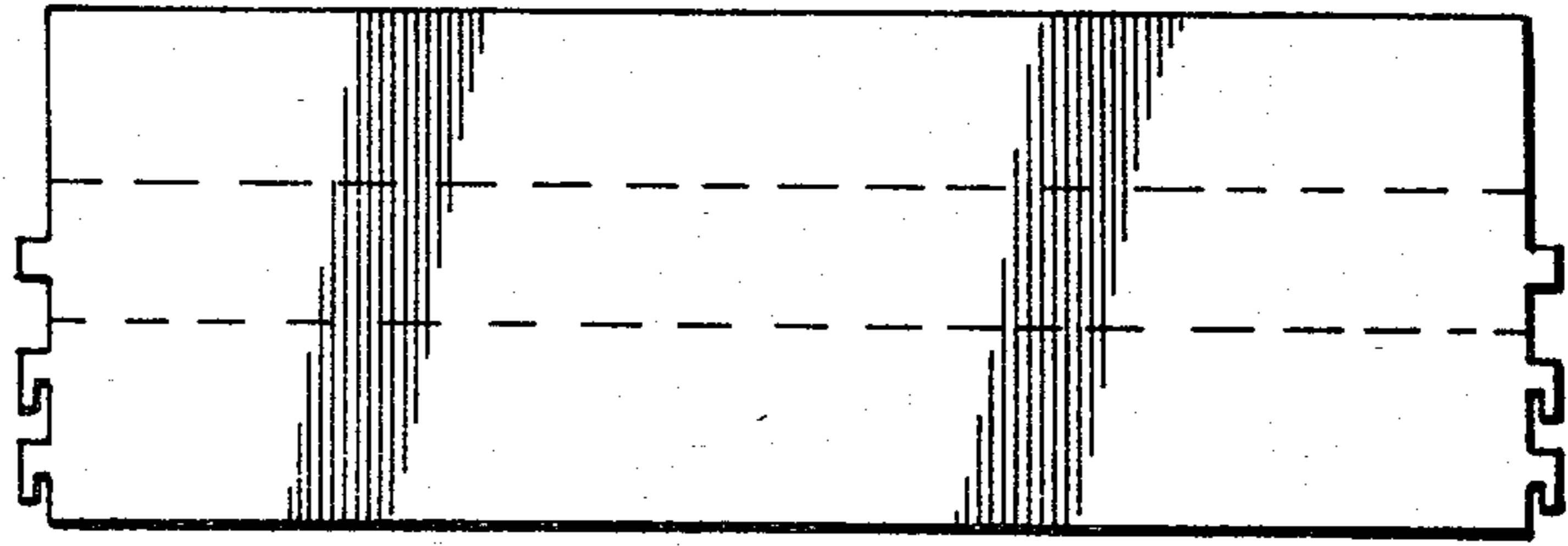




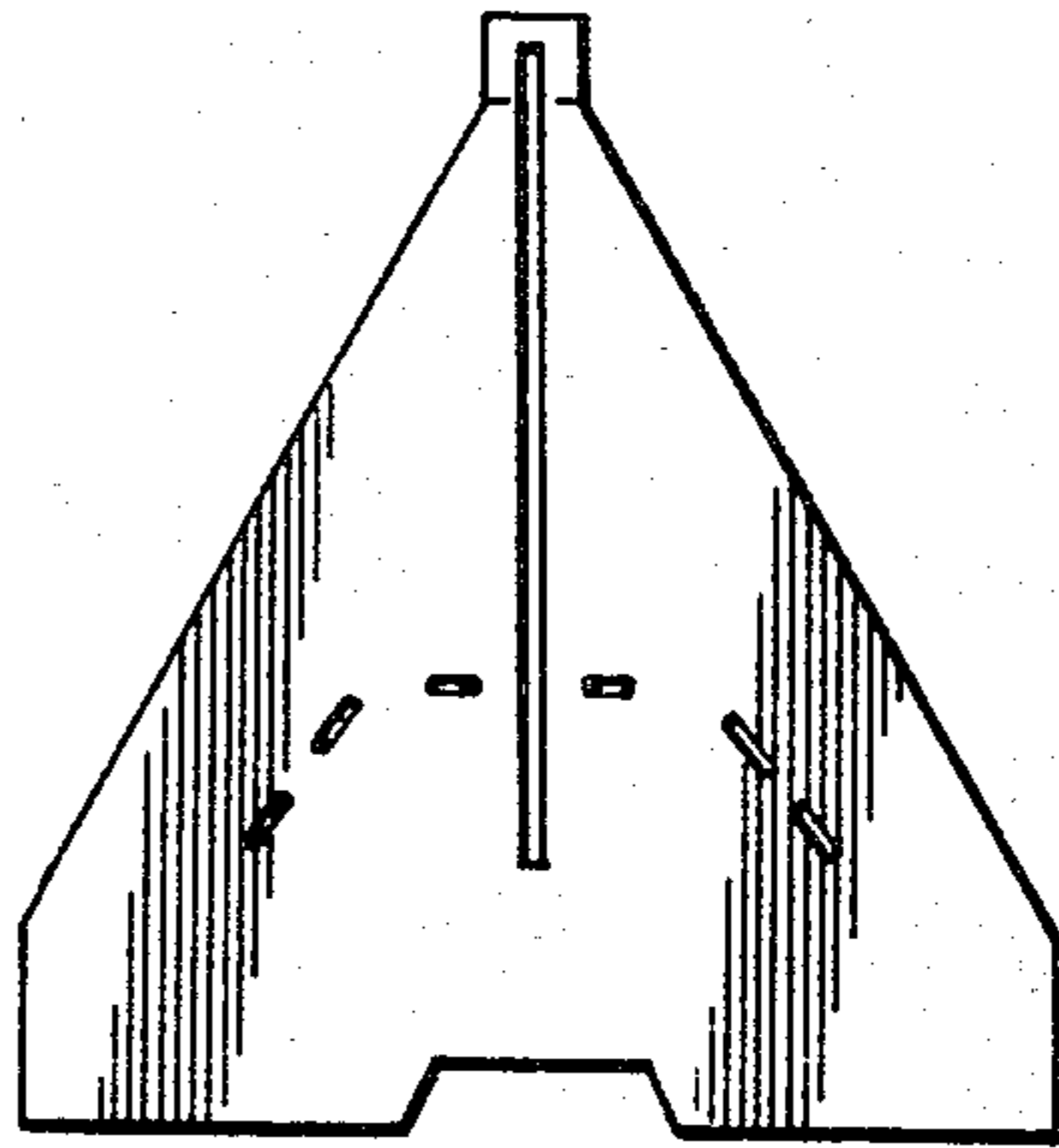
**FIG. 1**



**FIG. 2**



**Fig. 3**



**Fig. 4**