

[54] COMBINED PUNCH AND BINDING MACHINE

[76] Inventor: Flora Terracciano, Via Giulianova, 1, 20100 Milan, Italy

[**] Term: 14 Years

[21] Appl. No.: 544,269

[22] Filed: Oct. 19, 1983

[30] Foreign Application Priority Data

Apr. 22, 1983 [IT] Italy 21636/83[U]
 [52] U.S. Cl. D18/34
 [58] Field of Search D18/13, 22, 23, 99,
 D18/34; 412/16, 38-41

[56] References Cited

U.S. PATENT DOCUMENTS

D. 261,530 10/1981 Hausmann D18/34
 3,060,780 10/1962 Stuckens 412/40 X
 3,699,596 10/1972 Lyon 412/40 X
 3,967,336 7/1976 Cutter 412/40 X

Primary Examiner—Louis S. Zarfes
 Attorney, Agent, or Firm—Yount & Tarolli

[57] CLAIM

The ornamental design for a combined punch and binding machine, as shown.

DESCRIPTION

FIG. 1 is a front elevational view of a combined punch and binding machine showing my new design; FIG. 2 is a right side elevational view of the machine; FIG. 3 is a left side elevational view of the machine from the opposite side of FIG. 2; FIG. 4 is a rear elevational view of the machine; FIG. 5 is a top plan view of the machine; and FIG. 6 is a bottom plan view of the machine.

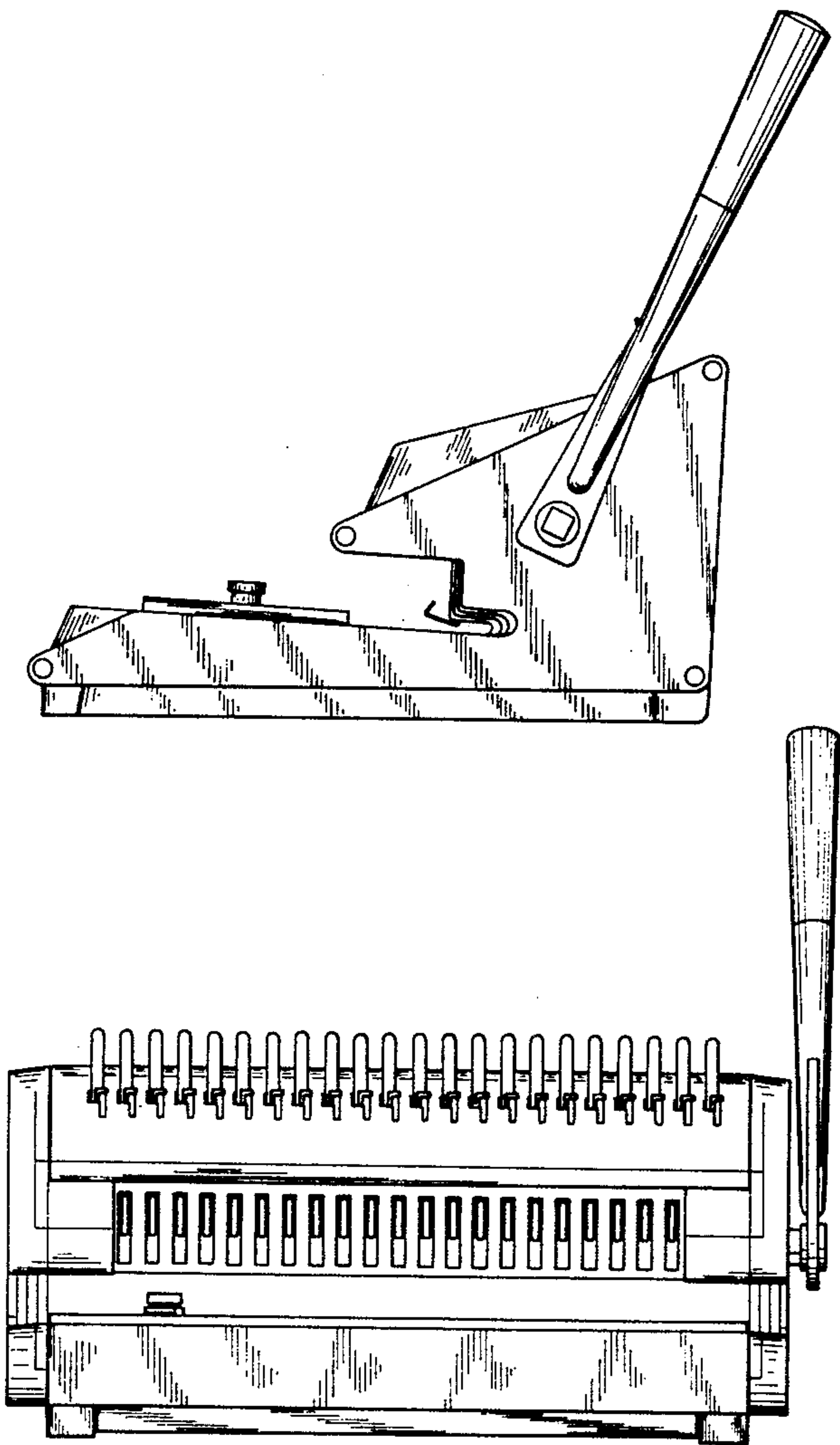


FIG.1

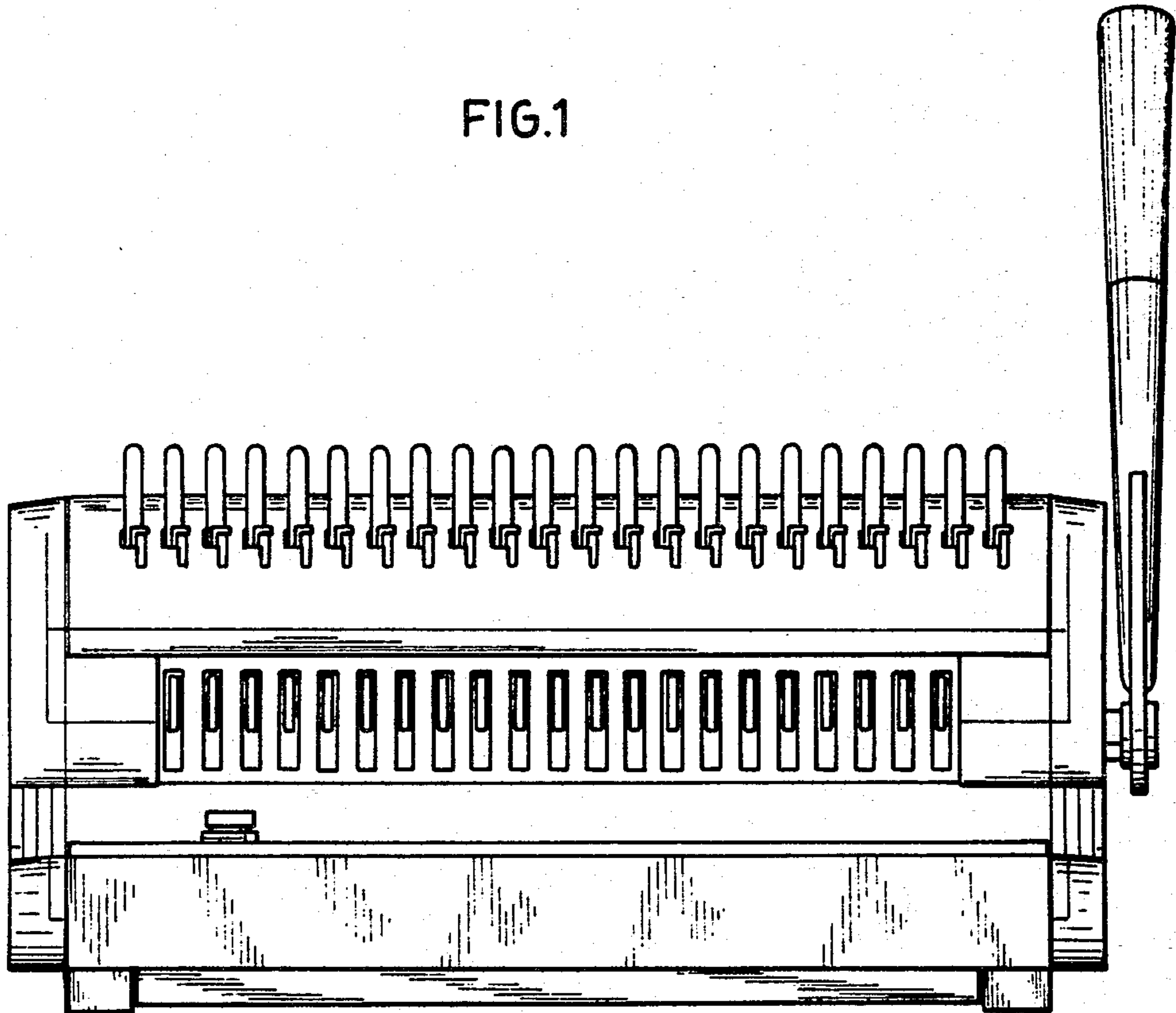
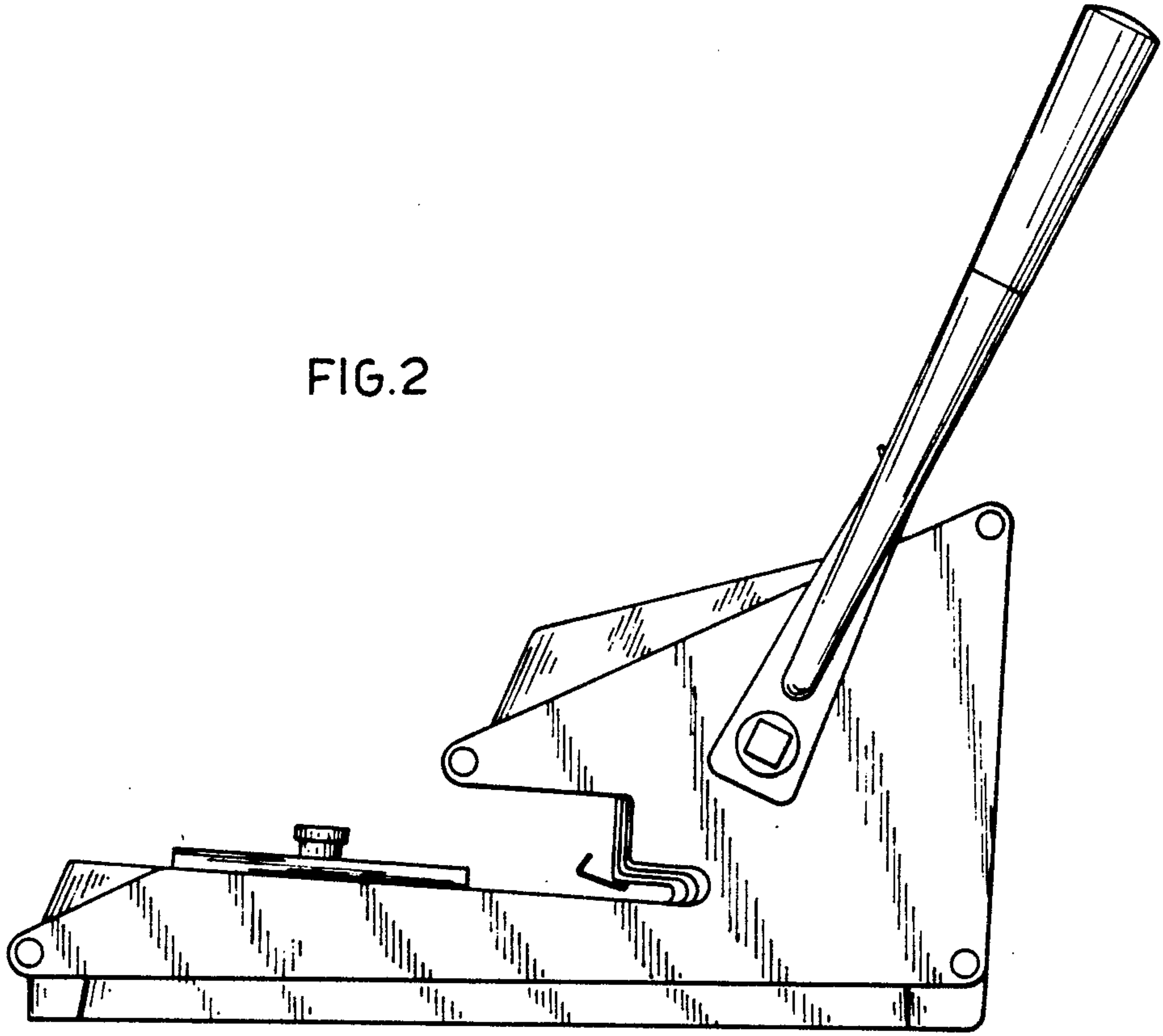


FIG.2



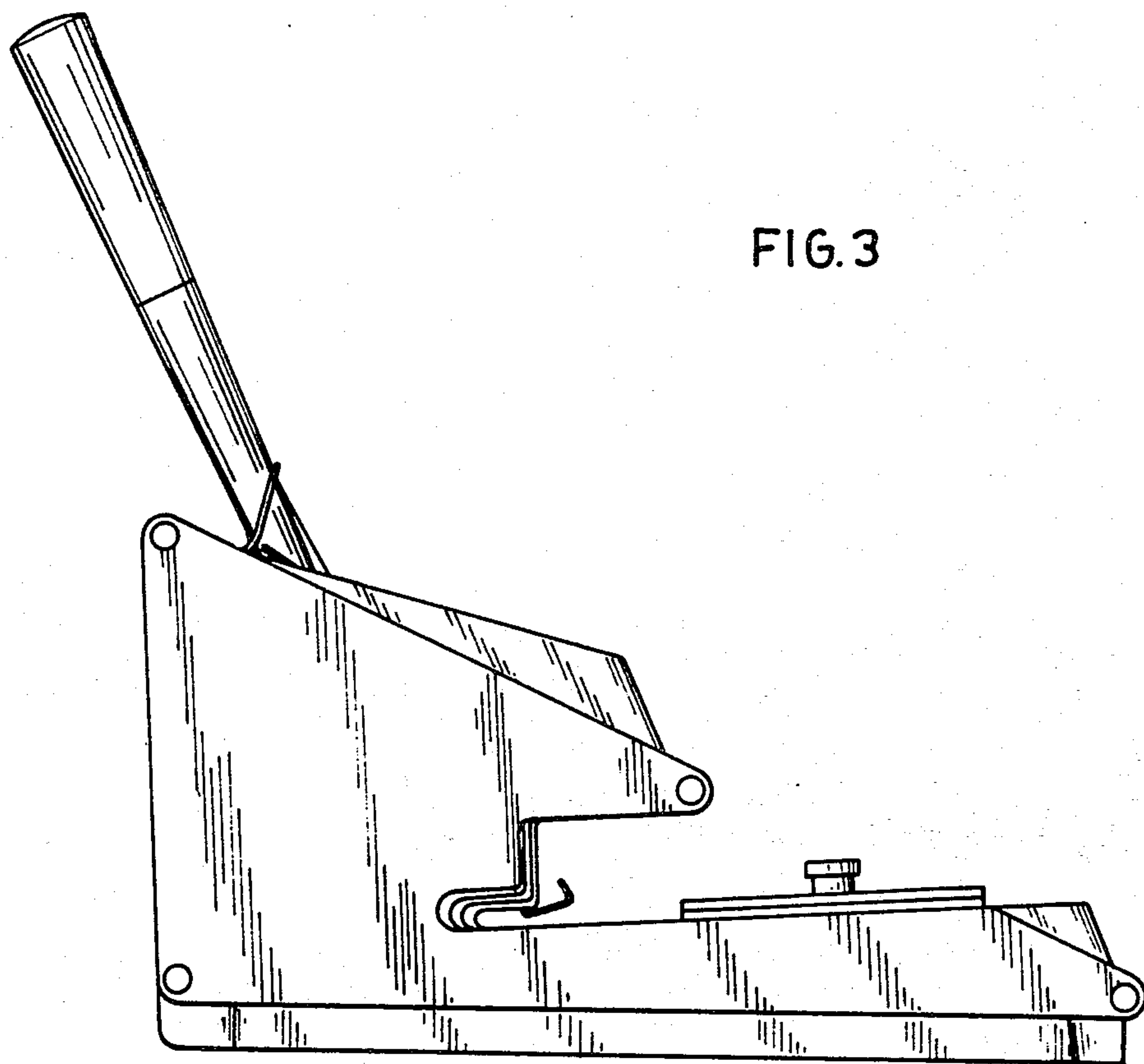


FIG. 3

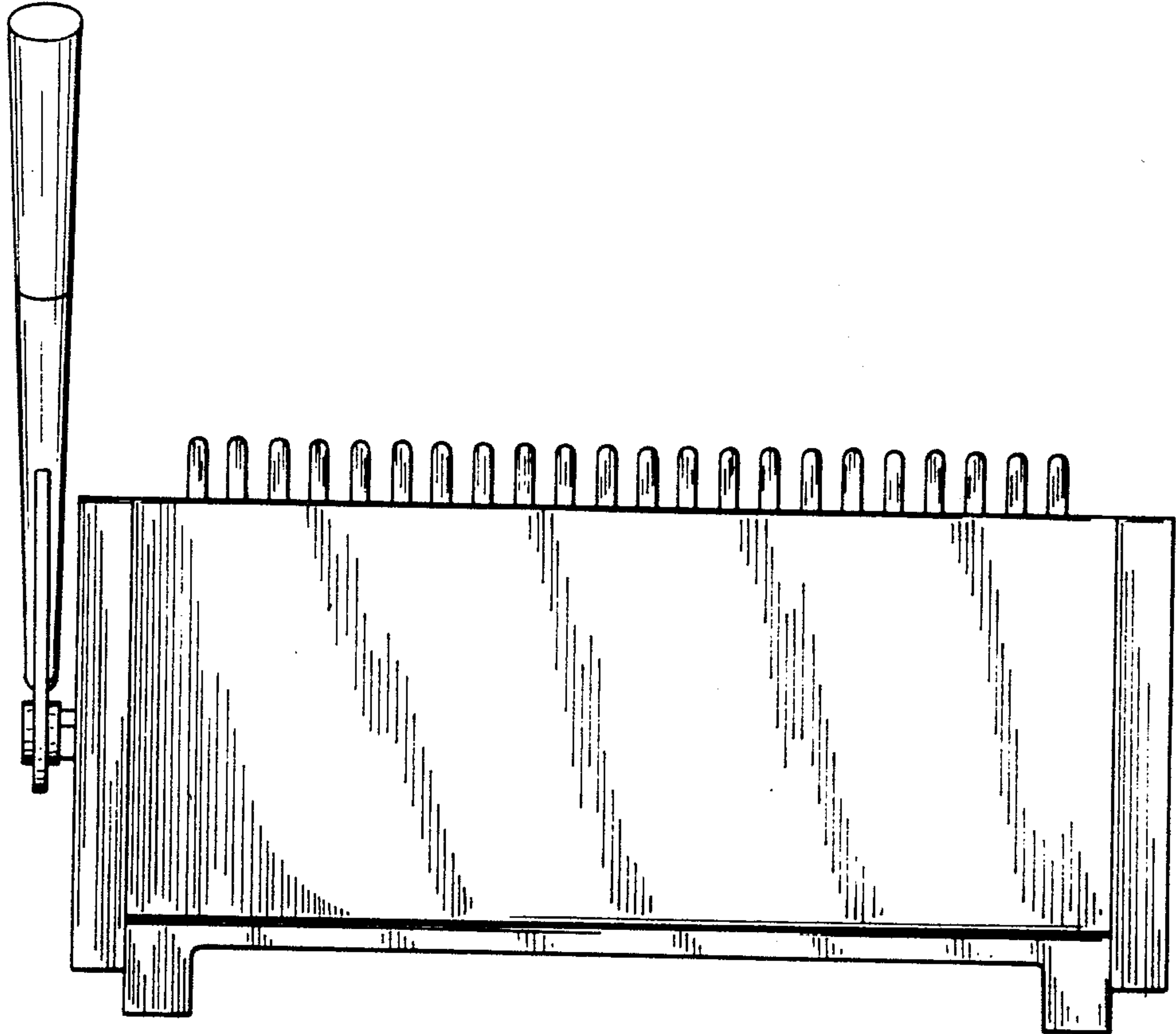


FIG. 4

FIG. 5

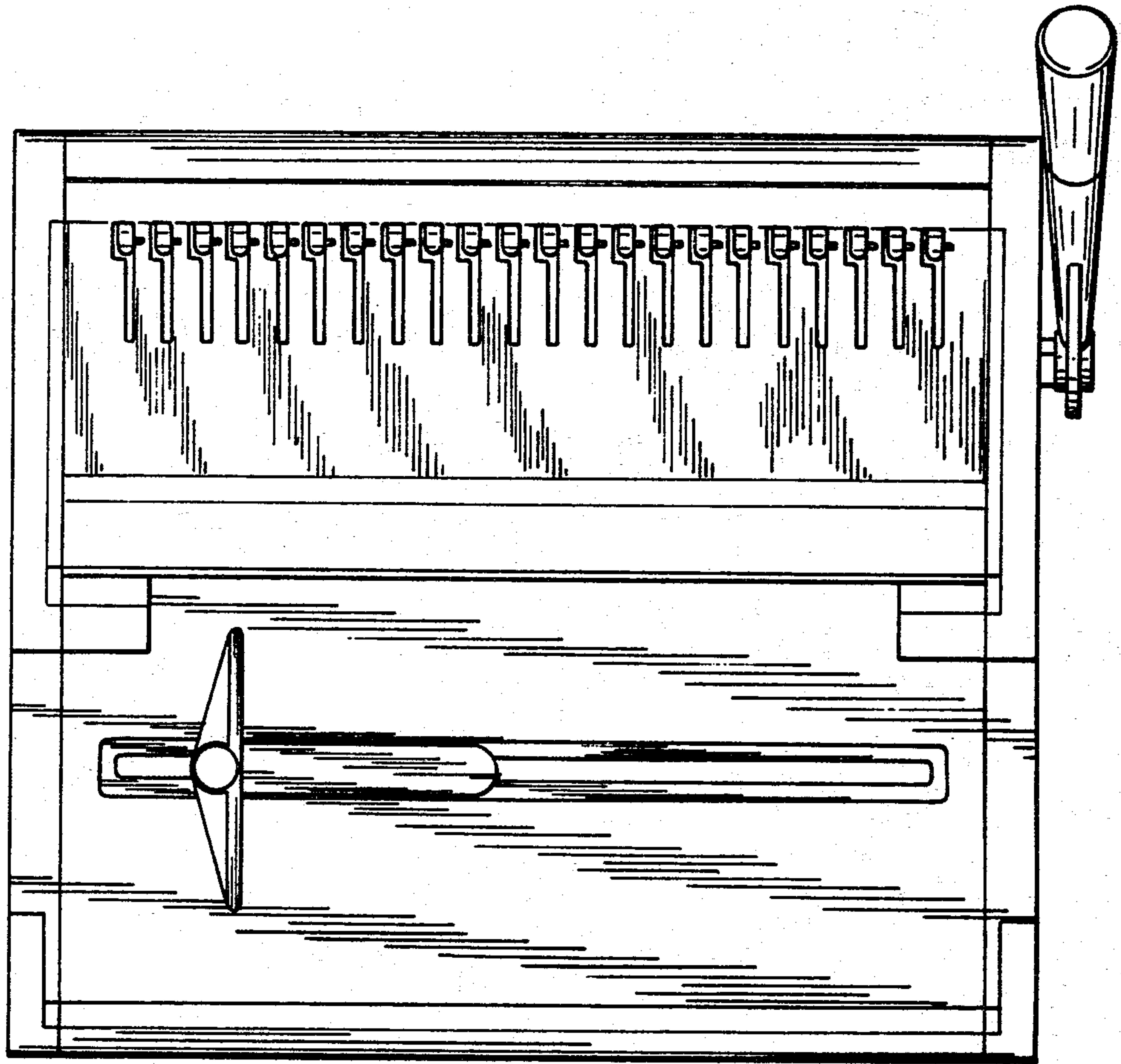


FIG. 6

