

- [54] CASSETTE RECEPTOR FOR A FILM AND PHOTOGRAPHIC PAPERS DISPENSER
- [76] Inventor: Gary E. Raymond, 755 S. Rainbow Dr., Hollywood, Fla. 33021
- [**] Term: 14 Years
- [21] Appl. No.: 515,215
- [22] Filed: Jul. 20, 1983
- [52] U.S. Cl. D16/37; D16/34
- [58] Field of Search D16/37, 27-37; 355/72, 100, 104; 242/71.7; 354/174, 275, 319, 321; 83/162, 422, 614

3,918,075 11/1975 Horn 354/275 X
 4,455,905 6/1984 Raymond 83/422

Primary Examiner—Nelson C. Holtje
 Attorney, Agent, or Firm—Bernard J. Murphy

[57] CLAIM

The ornamental design for a cassette receptor for a film and photographic papers dispenser, as shown.

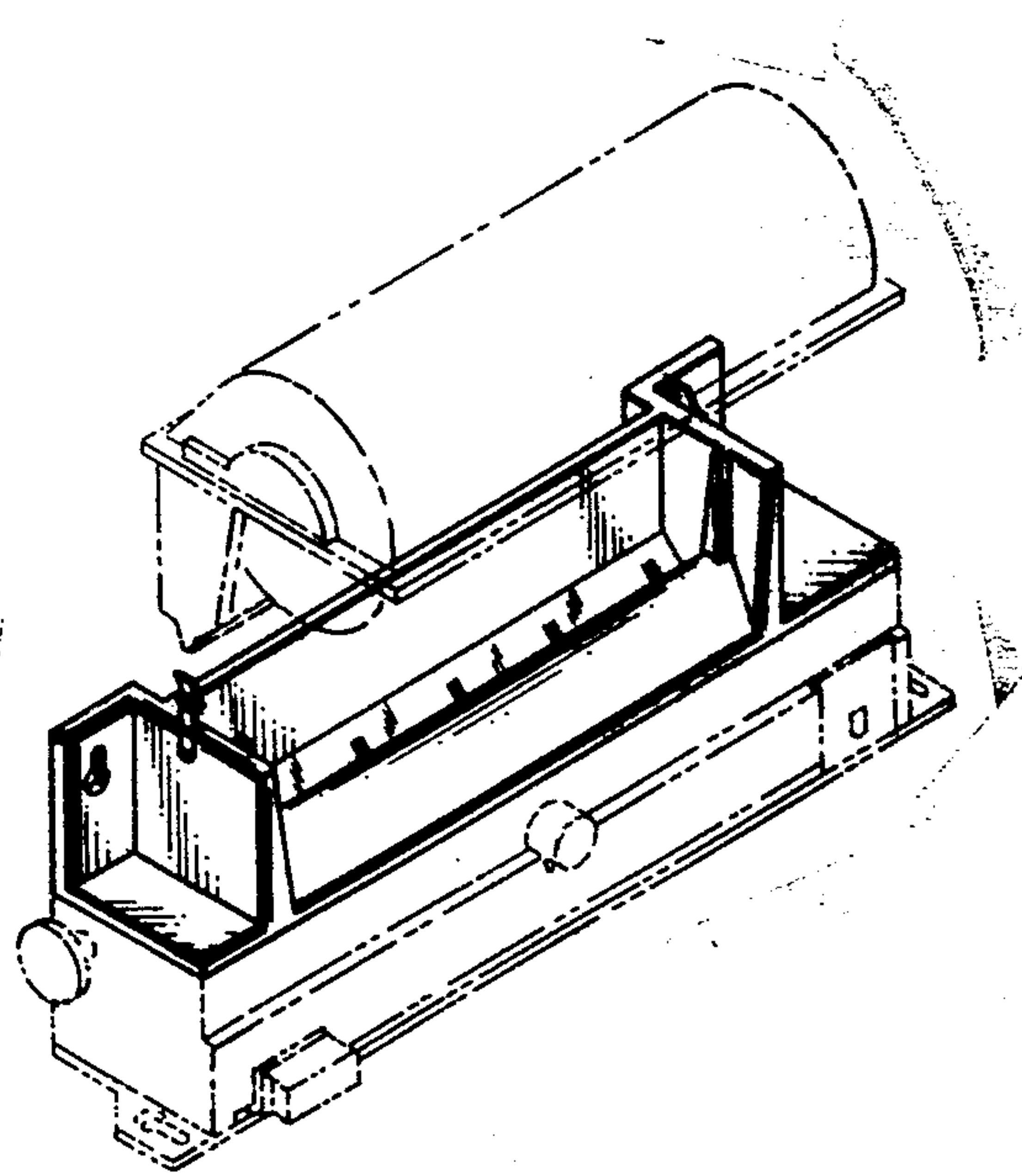
DESCRIPTION

FIG. 1 is a left-front perspective view of a cassette receptor for a film and photographic papers dispenser showing my new design, the broken line showings of a cassette and dispenser are environmental only and form no part of the claimed design;
 FIG. 2 is a front elevational view thereof;
 FIG. 3 is a left side elevational view thereof;
 FIG. 4 is a right side elevational view thereof;
 FIG. 5 is a top plan view thereof;
 FIG. 6 is a cross-sectional view thereof as taken from line 6—6 of FIG. 5; and
 FIG. 7 is a bottom plan view thereof.

[56] References Cited

U.S. PATENT DOCUMENTS

D. 204,832	5/1966	Vigna	D16/34
D. 204,833	5/1966	Robbins	D16/34
D. 210,983	5/1968	Lee	D16/34
D. 256,588	8/1980	Mahiques	D16/32
D. 272,157	1/1984	Raymond	D16/28
D. 276,439	11/1984	Raymond	D16/32



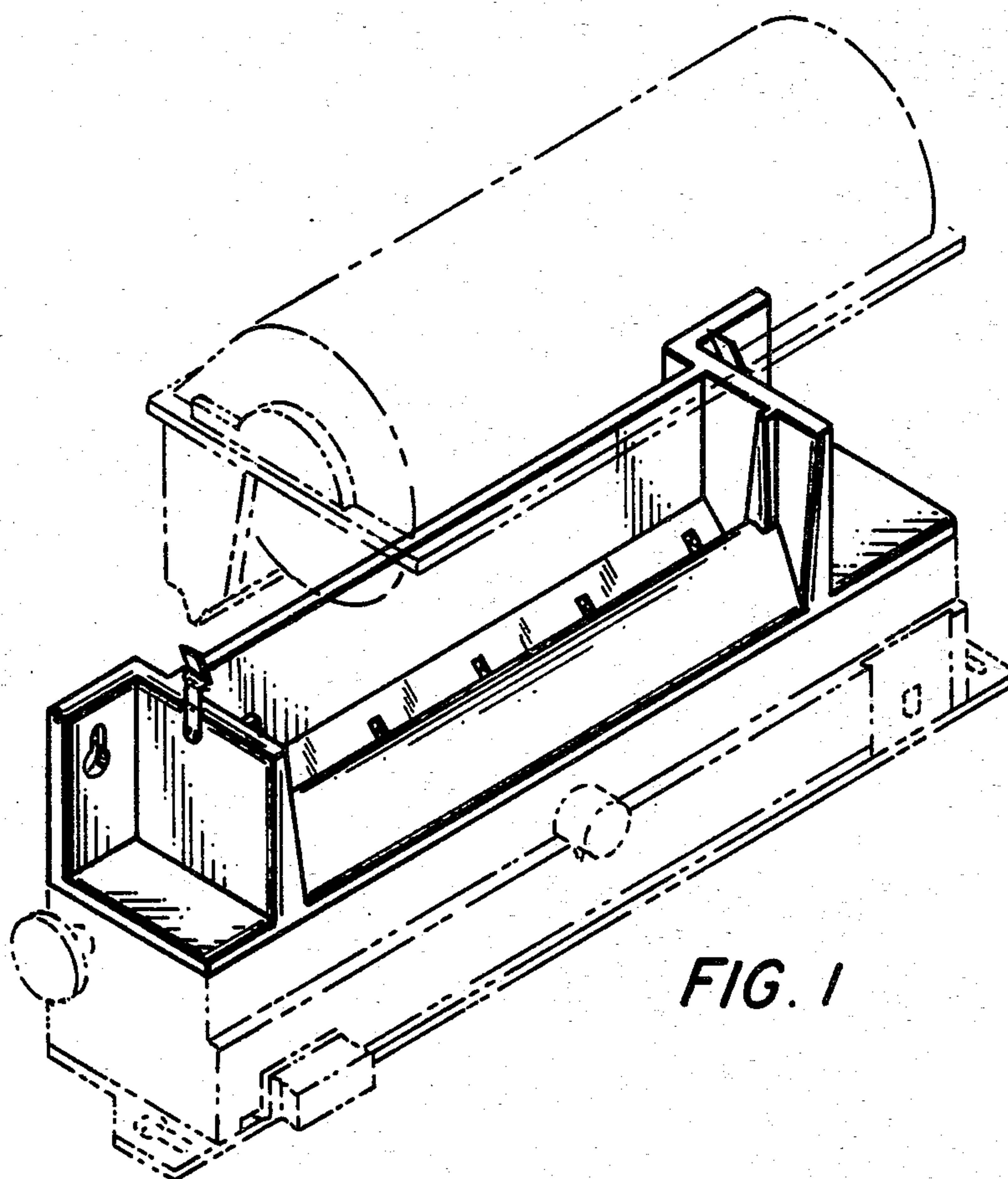


FIG. 1

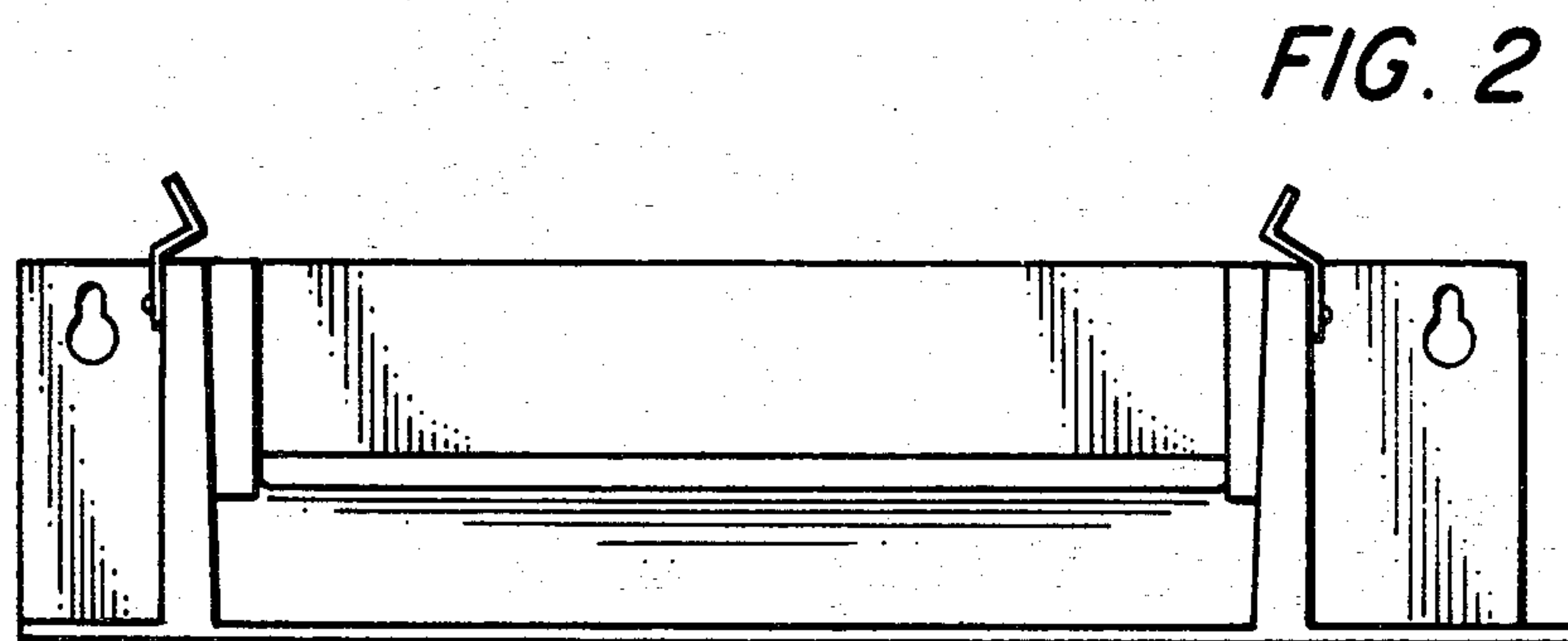


FIG. 2

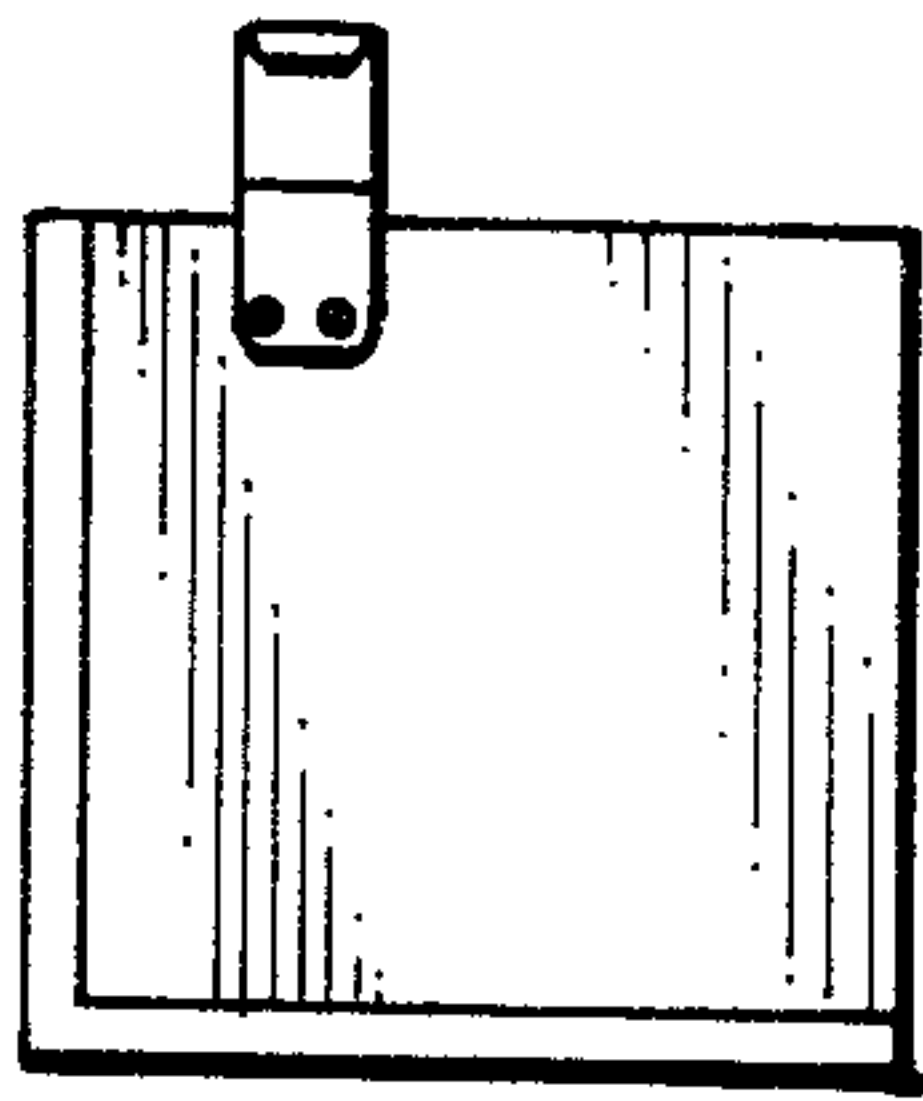


FIG. 3

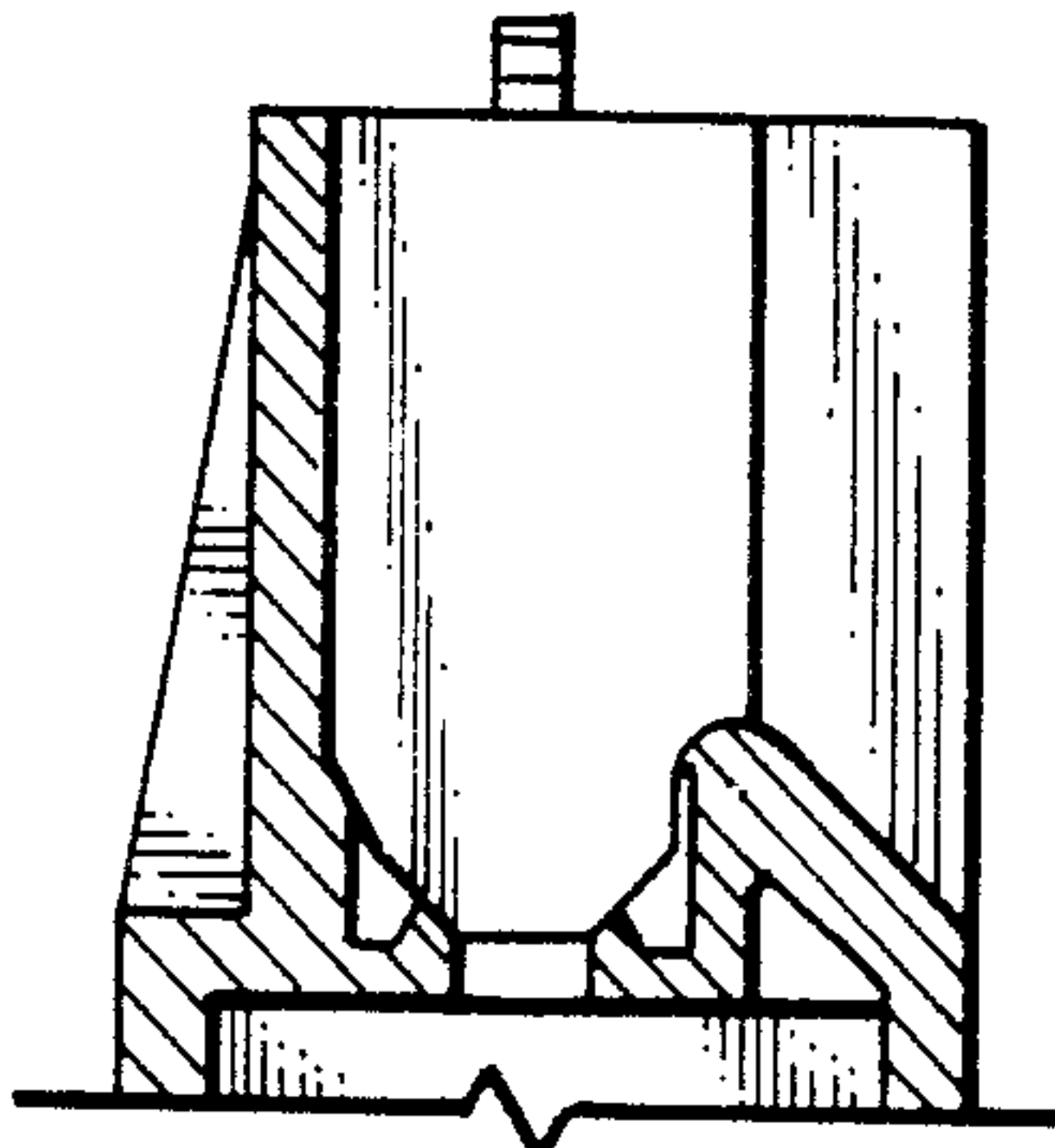


FIG. 6

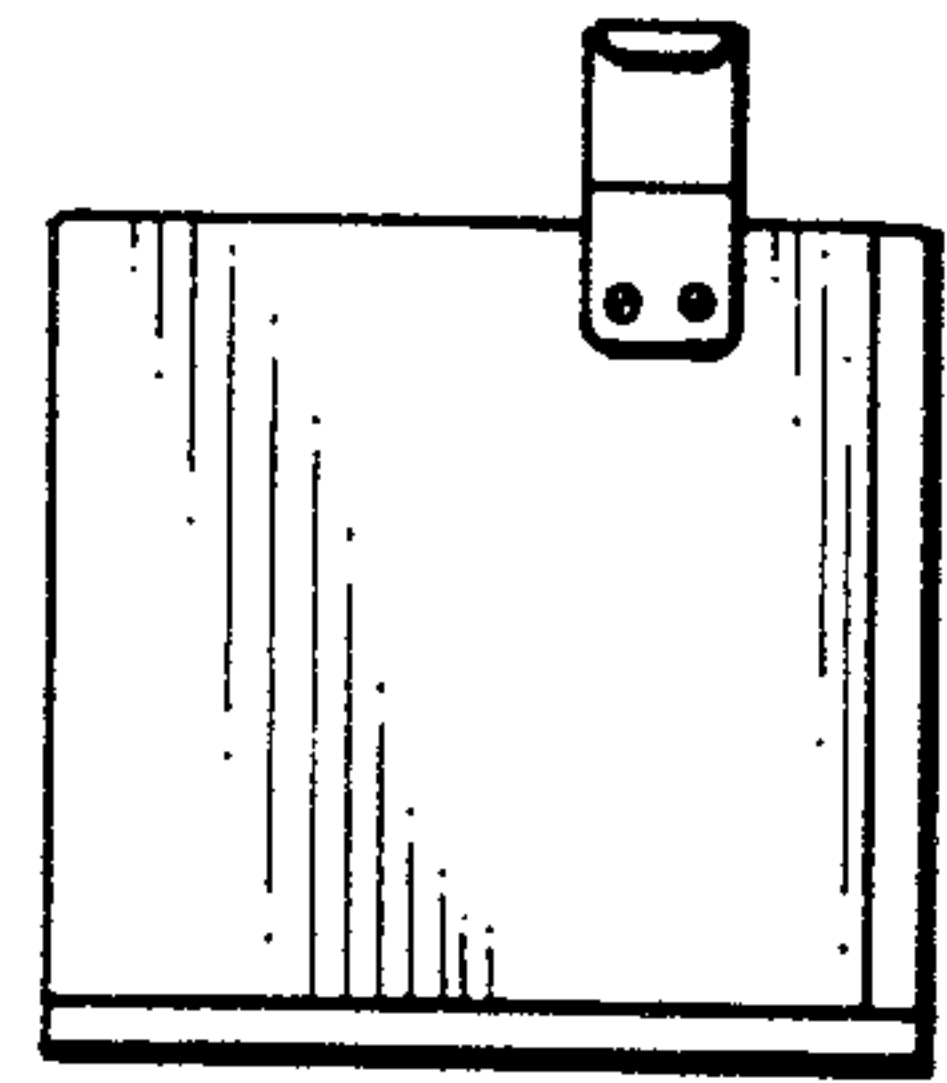


FIG. 4

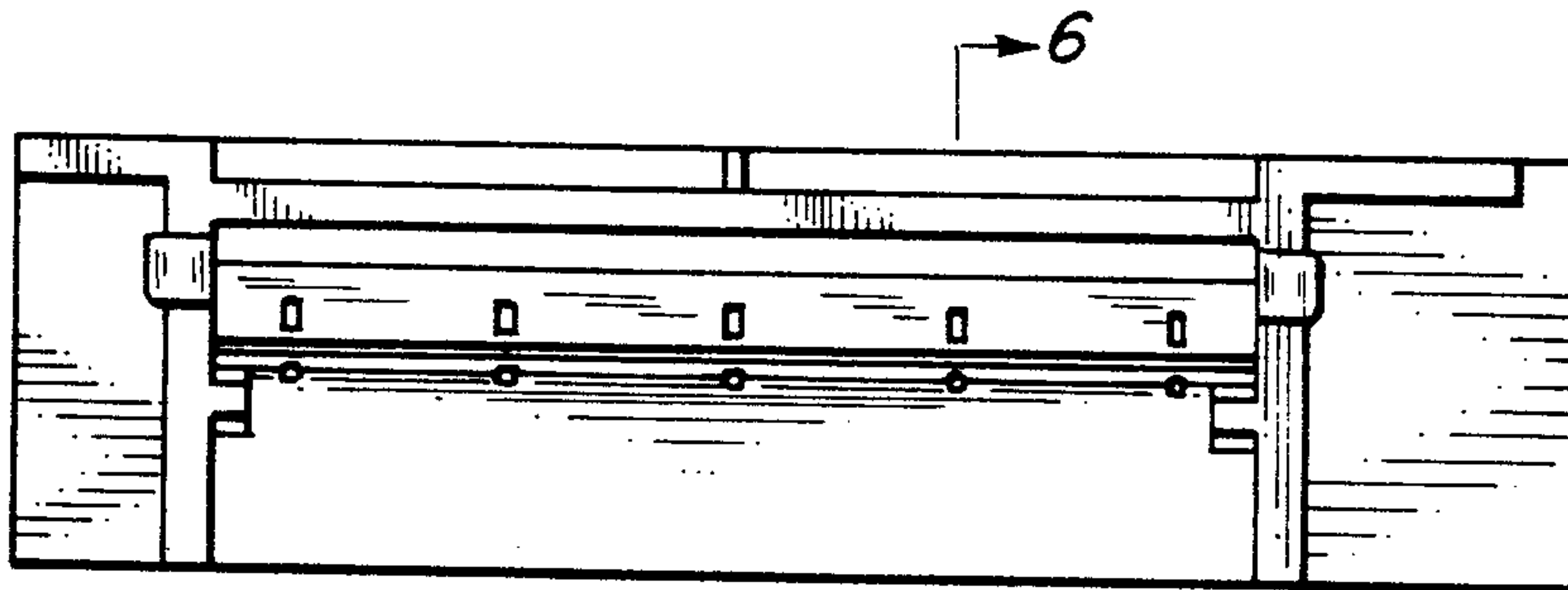


FIG. 5



FIG. 7

