

[54] TONER CARTRIDGE

[75] Inventor: Gary E. Gendron, Boiceville, N.Y.

[73] Assignee: Marpac Industries, Inc., Allendale, N.J.

[**] Term: 14 Years

[21] Appl. No.: 596,918

[22] Filed: Apr. 5, 1984

[52] U.S. Cl. D16/32; D9/306

[58] Field of Search D16/27-32, D16/33, 37, 38; 355/3 DD, 14 D, 3 DR; 222/DIG. 1, 166, 325; 206/316, 528-532, 631-633; D9/418, 424, 385, 399, 439, 306

[56] References Cited

U.S. PATENT DOCUMENTS

- D. 208,377 8/1967 Wagner D16/32
- D. 209,103 10/1967 Langewis D9/306
- D. 218,806 9/1970 Berg D16/32
- D. 236,694 9/1975 Avolio D16/32
- D. 240,201 6/1976 Avolio D16/32
- D. 248,148 6/1978 Chamberlin D16/37 X

- D. 252,557 8/1979 Walker D16/32
- D. 265,549 7/1982 Houts D9/424 X
- 3,338,410 8/1967 South D16/27 X
- 3,618,826 11/1971 Kangas 222/166
- 4,349,132 9/1982 Macaluso 222/DIG. 1 X
- 4,441,636 4/1984 Yamashita 222/DIG. 1 X

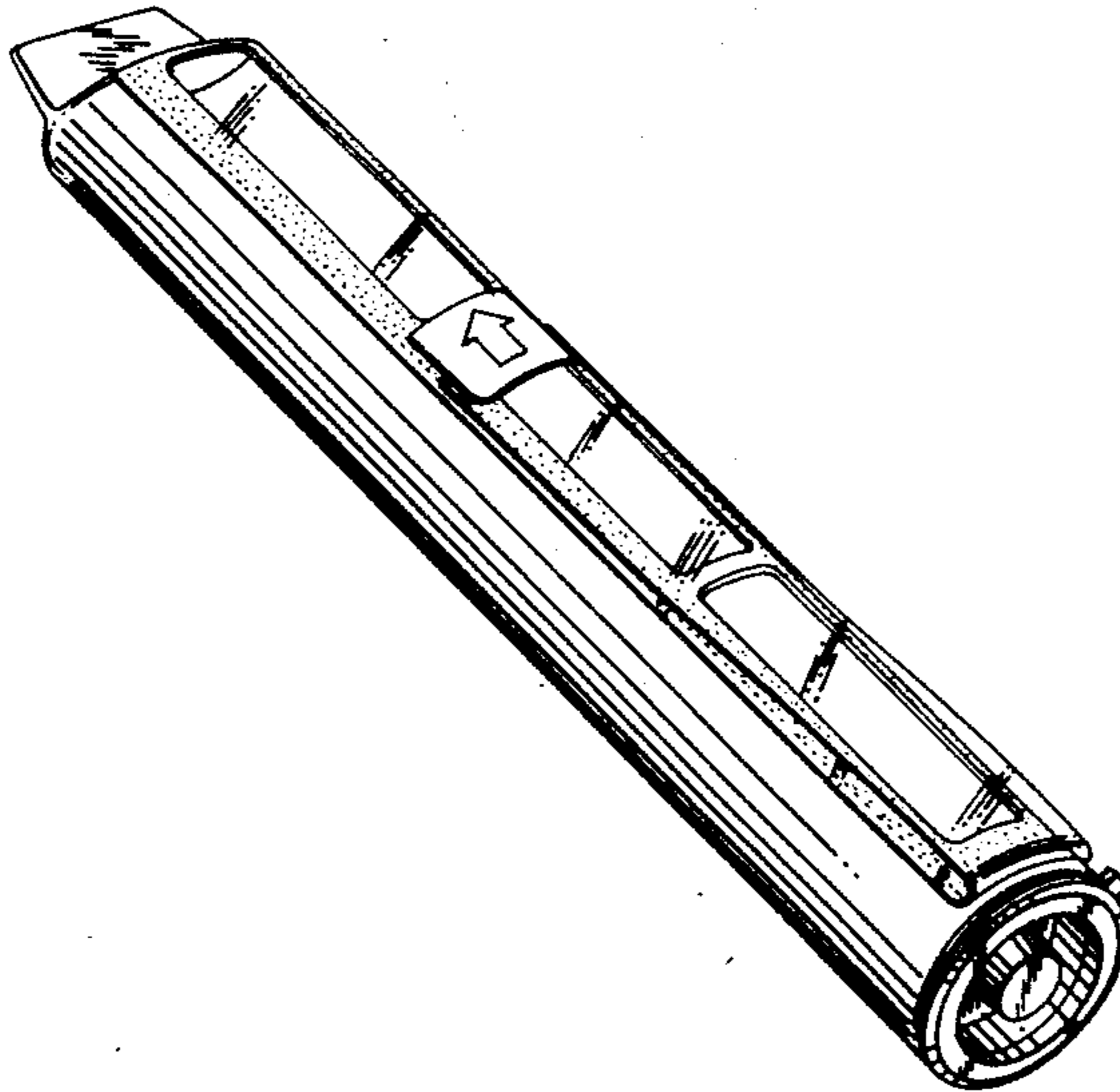
Primary Examiner—Nelson C. Holtje
Attorney, Agent, or Firm—W. Patrick Quast

[57] CLAIM

The ornamental design for a toner cartridge, as shown and described.

DESCRIPTION

FIG. 1 is a top perspective view of a toner cartridge showing my new design;
 FIG. 2 is an exploded top perspective view thereof with the dispersing port sealer film removed;
 FIG. 3 is a top perspective view of another embodiment of my new design of FIGS. 1-2;
 FIG. 4 is an exploded partial right end elevational view of FIG. 3 on an enlarged scale;
 FIG. 5 is a partial left end elevational view of FIG. 3 on an enlarged scale.



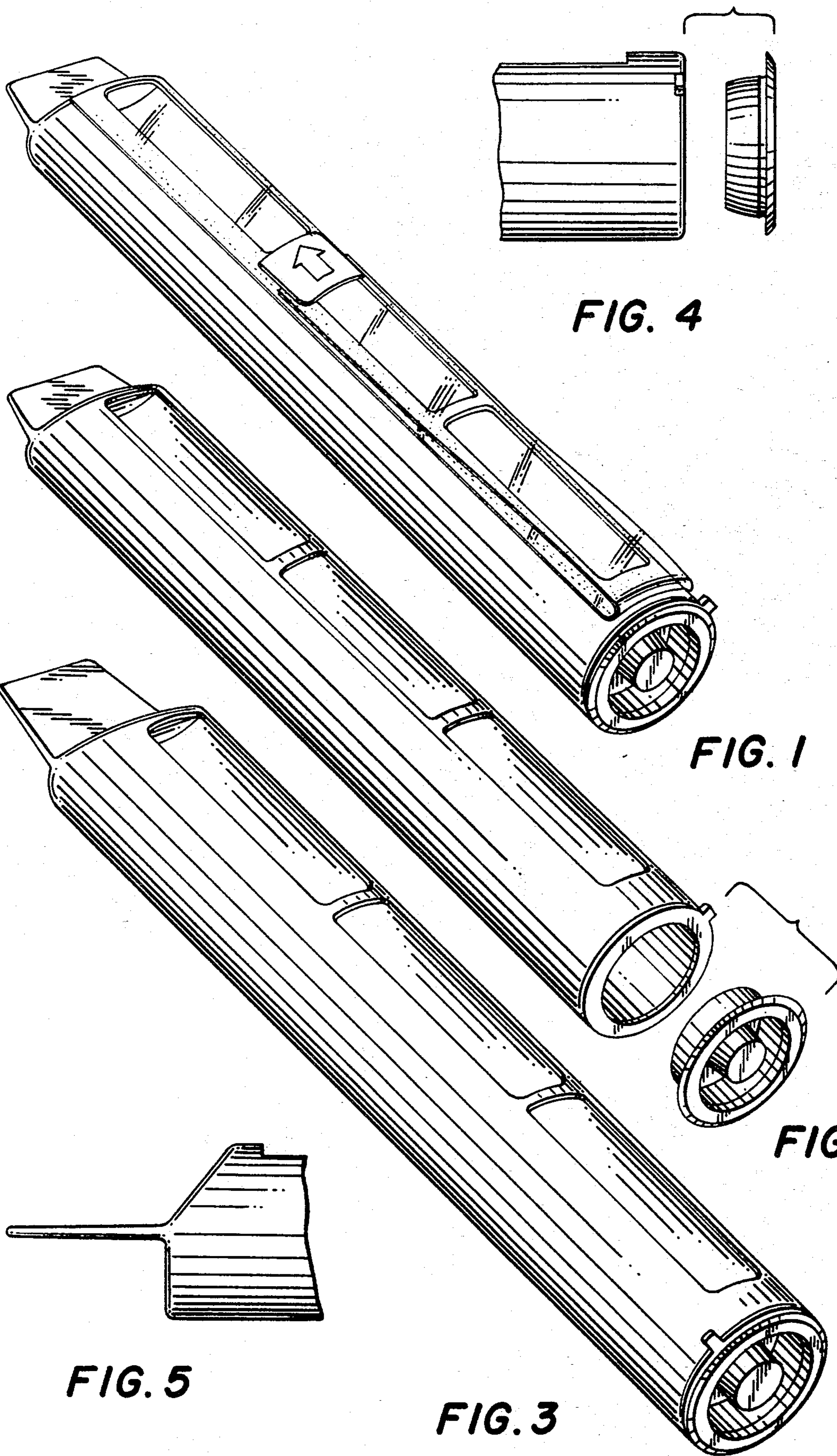


FIG. 4

FIG. 1

FIG. 2

FIG. 5

FIG. 3