

[54] ELECTRONIC COPYING MACHINE

[75] Inventors: Shiro Serikawa, Tama; Yoshiharu Abe, Tokyo, both of Japan

[73] Assignees: Casio Electronics Manufacturing Co., Ltd.; Casio Computer Co., Ltd., both of Tokyo, Japan

[**] Term: 14 Years

[21] Appl. No.: 588,800

[22] Filed: Mar. 12, 1984

[30] Foreign Application Priority Data

Sep. 22, 1983 [JP]	Japan	58-41462
Oct. 11, 1983 [JP]	Japan	58-44029
Oct. 11, 1983 [JP]	Japan	58-44030
Oct. 11, 1983 [JP]	Japan	58-44031
Oct. 11, 1983 [JP]	Japan	58-44033

[52] U.S. Cl. D16/31

[58] Field of Search D16/27-32, D16/31; 355/3 R, 3 SH, 14 R, 14 SH, 8-11, 51, 54, 5, 50, 64-65, 18-19

[56] References Cited

U.S. PATENT DOCUMENTS

D. 270,164	8/1983	Sawada	D16/31
D. 276,347	11/1984	Matsuzaka	D16/31
D. 278,346	4/1985	Saito	D16/31
D. 280,104	8/1985	Sutoh	D16/31
D. 280,634	9/1985	Imada	D16/31
2,954,563	10/1960	De Grazia	2/2.5
3,500,472	3/1970	Castellani	2/2
4,322,858	4/1982	Douglas	2/2

Primary Examiner—Nelson C. Holtje
 Attorney, Agent, or Firm—Frishauf, Holtz, Goodman & Woodward

[57] CLAIM

The ornamental design for an electronic copying machine, substantially as shown and described.

DESCRIPTION

FIG. 1 is a front, top and right side perspective view of

an electronic copying machine showing our new design;

FIG. 2 is a front, top and left side perspective view thereof;

FIG. 3 is a front elevational view thereof;

FIG. 4 is a right side elevational view thereof;

FIG. 5 is a rear elevational view thereof;

FIG. 6 is a left side elevational view thereof;

FIG. 7 is a top plan view thereof;

FIG. 8 is a front, top, and right side perspective view of a second embodiment of our new design of FIGS. 1-7;

FIG. 9 is a front, top and left side perspective view thereof;

FIG. 10 is a front elevational view thereof;

FIG. 11 is a right side elevational view thereof;

FIG. 12 is a rear elevational view thereof;

FIG. 13 is a left side elevational view thereof;

FIG. 14 is a top plan view thereof;

FIG. 15 is a front, top, and right side perspective view of a third embodiment of our new design of FIGS. 1-7;

FIG. 16 is a front, top and left side perspective view thereof;

FIG. 17 is a front elevational view thereof;

FIG. 18 is a right side elevational view thereof;

FIG. 19 is a rear elevational view thereof;

FIG. 20 is a left side elevational view thereof;

FIG. 21 is a top plan view thereof;

FIG. 22 is a front, top, and right side perspective view of a fourth embodiment of our new design of FIGS. 1-7;

FIG. 23 is a front, top and left side perspective view thereof;

FIG. 24 is a front elevational view thereof;

FIG. 25 is a right side elevational view thereof;

FIG. 26 is a rear elevational view thereof;

FIG. 27 is a left side elevational view thereof;

FIG. 28 is a top plan view thereof;

FIG. 29 is a front, top and right side perspective view of a fifth embodiment of our new design of FIGS. 1-7;

FIG. 30 is a front, top and left side perspective view thereof;

FIG. 31 is a front elevational view thereof;

FIG. 32 is a right side elevational view thereof;

FIG. 33 is a rear elevational view thereof;

FIG. 34 is a left side elevational view thereof; and

FIG. 35 is a top plan view thereof.

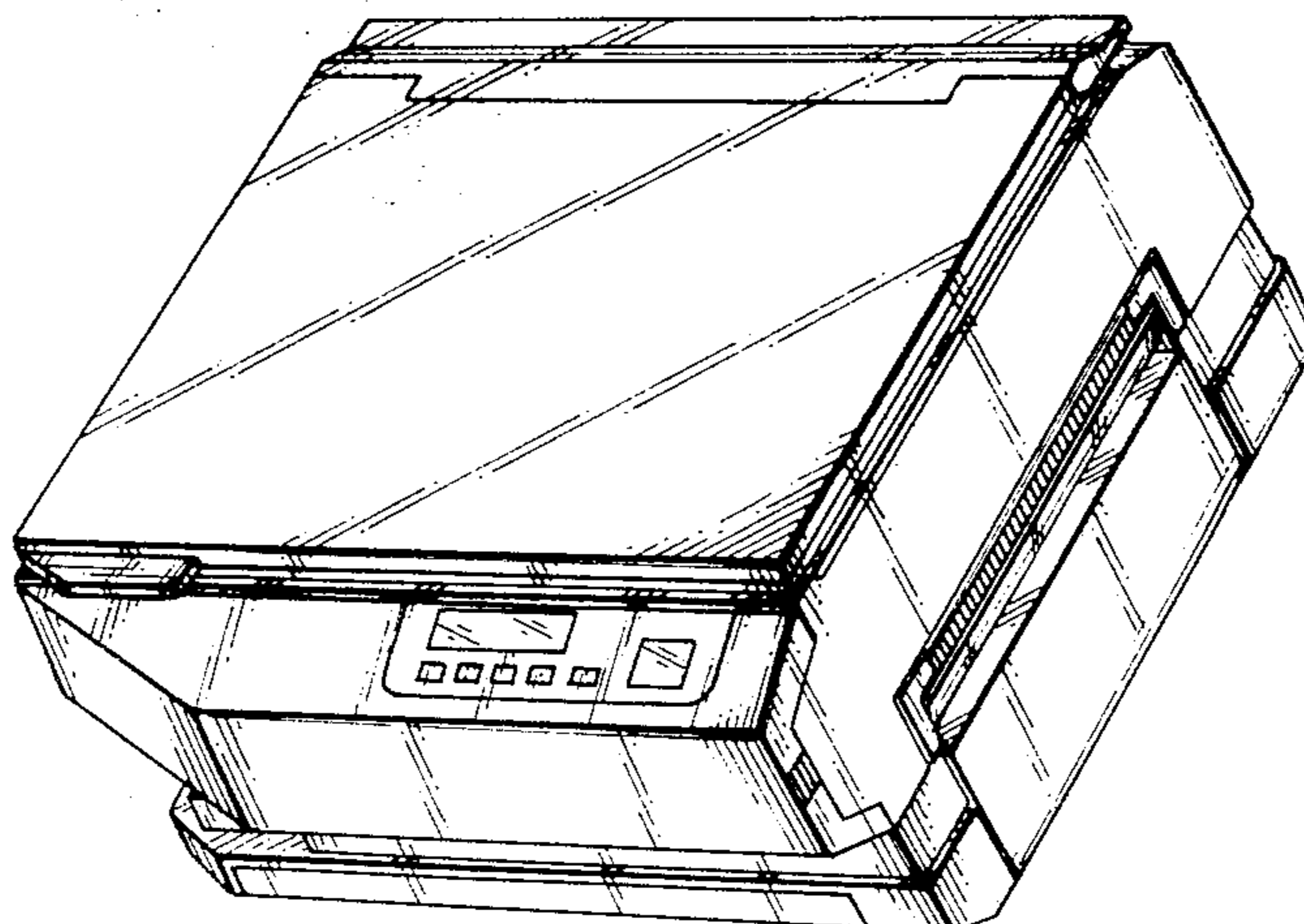


FIG. 1

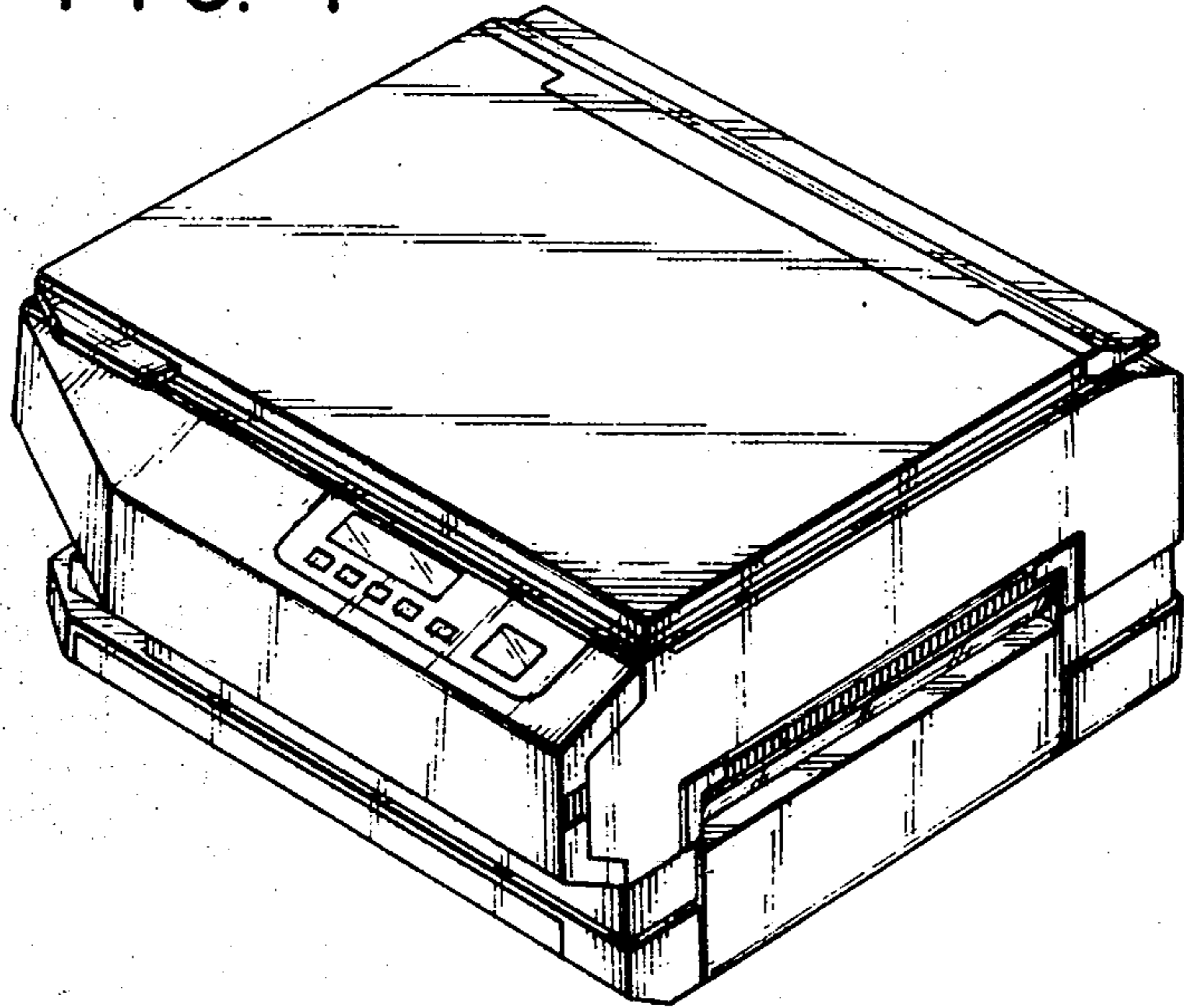


FIG. 2

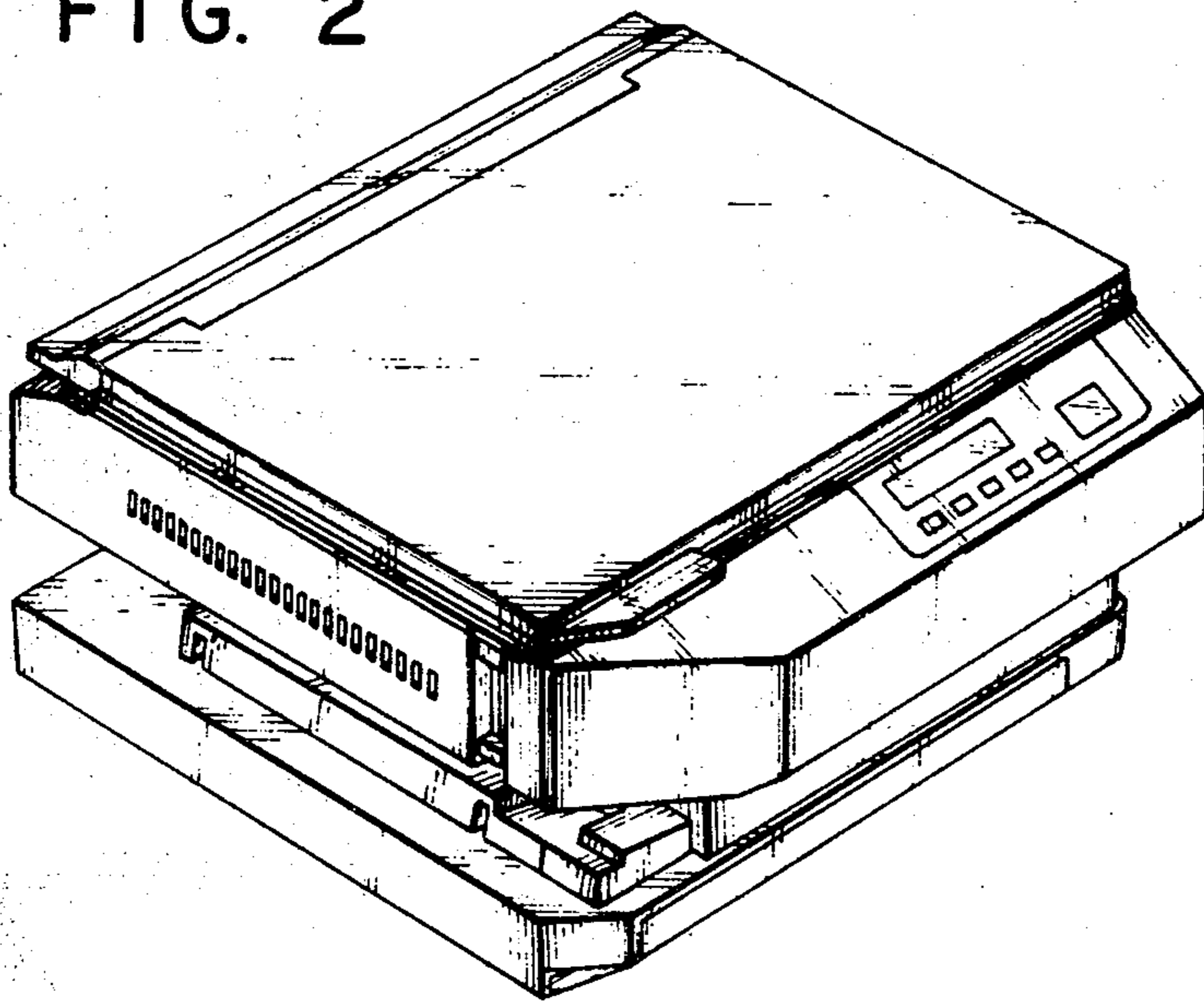


FIG. 3

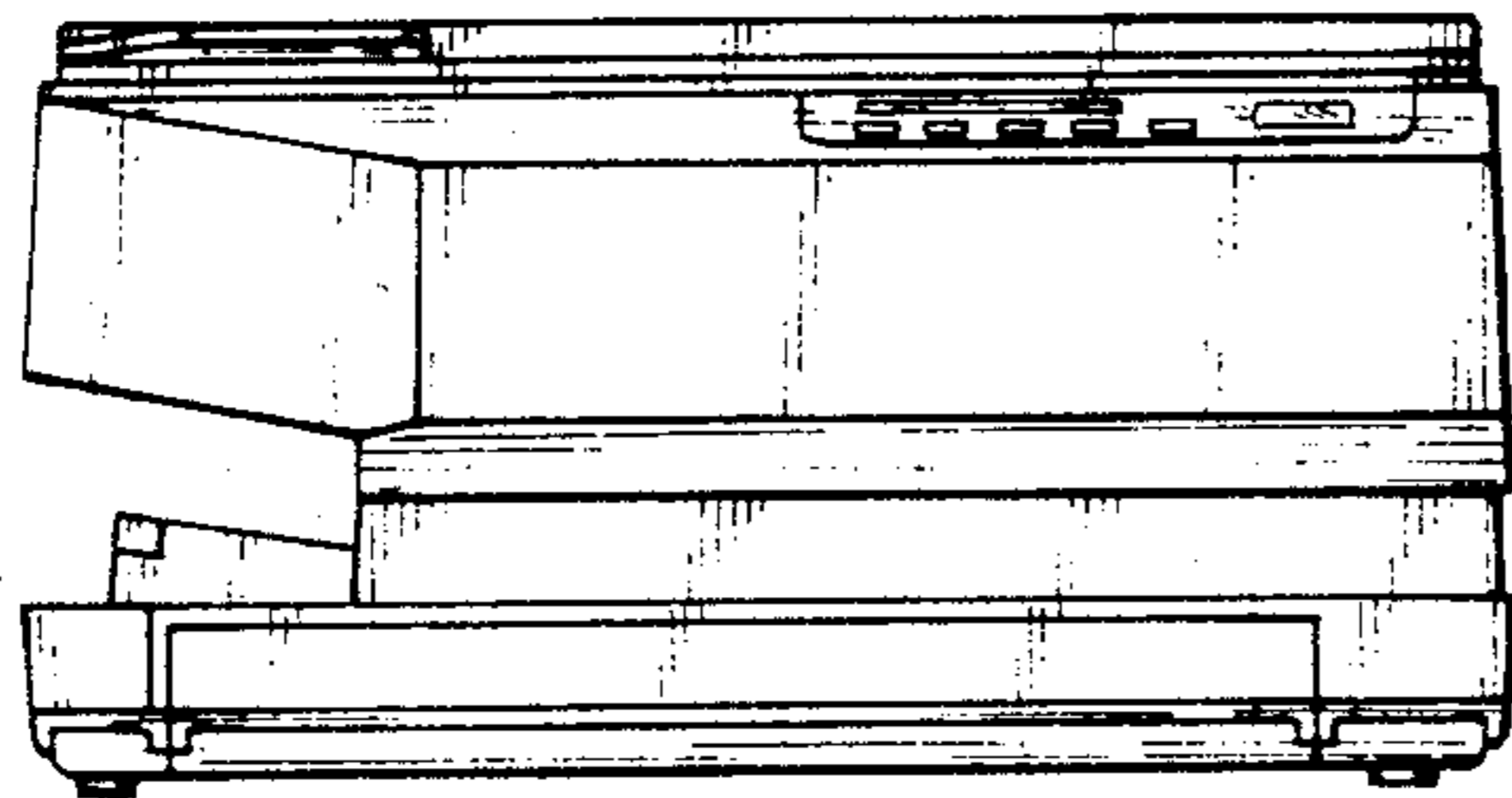


FIG. 4

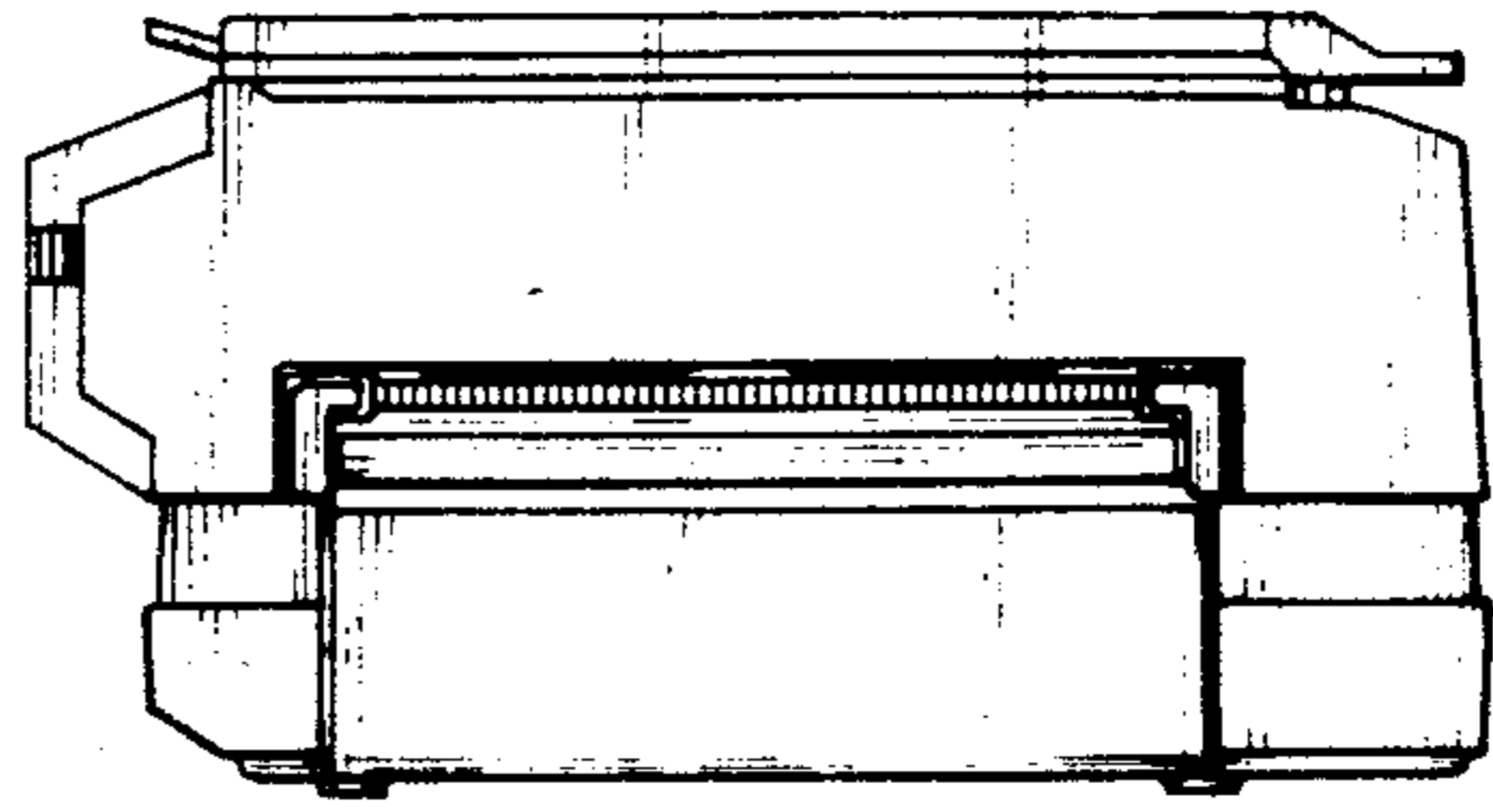


FIG. 5

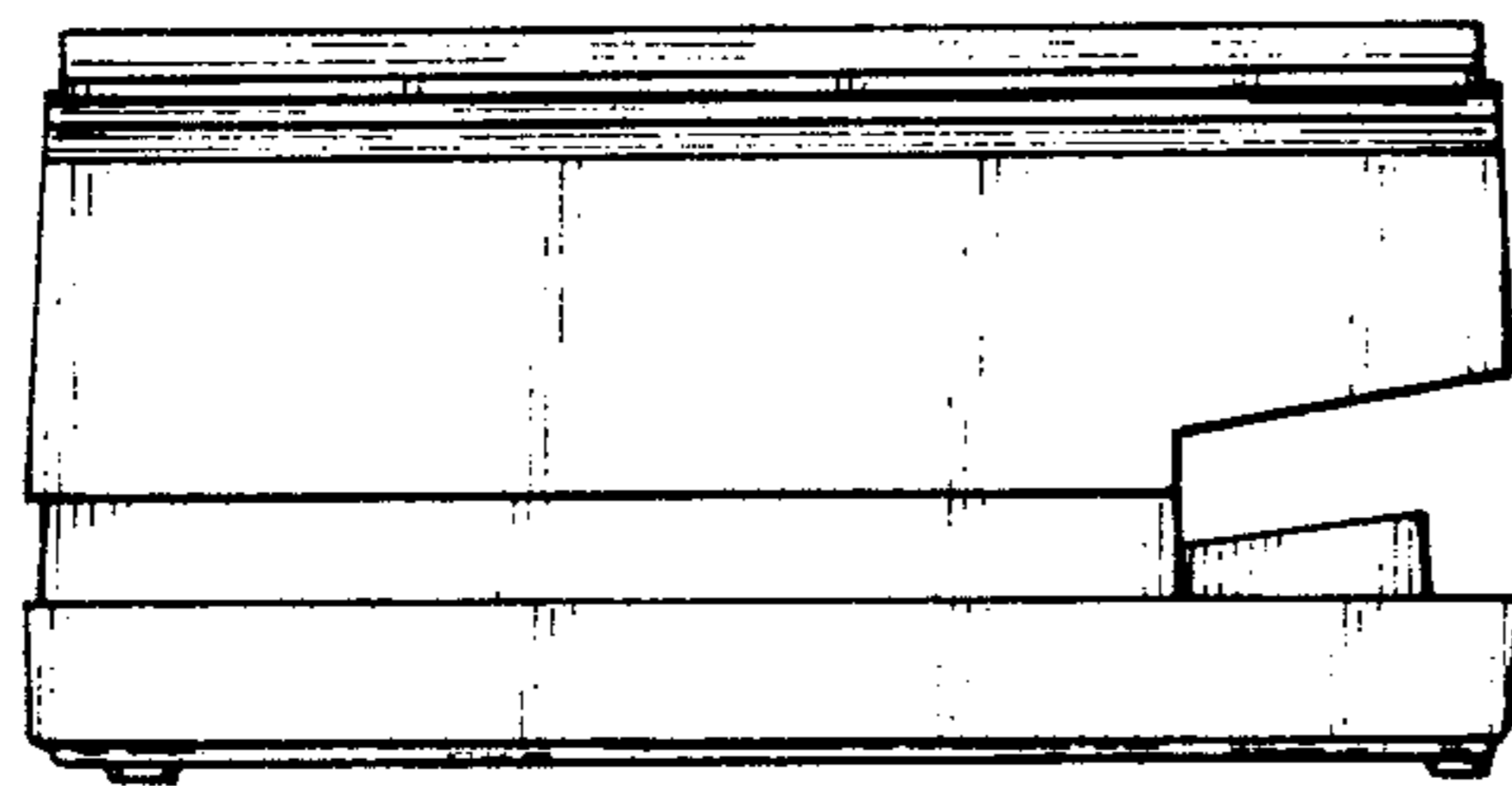


FIG. 6

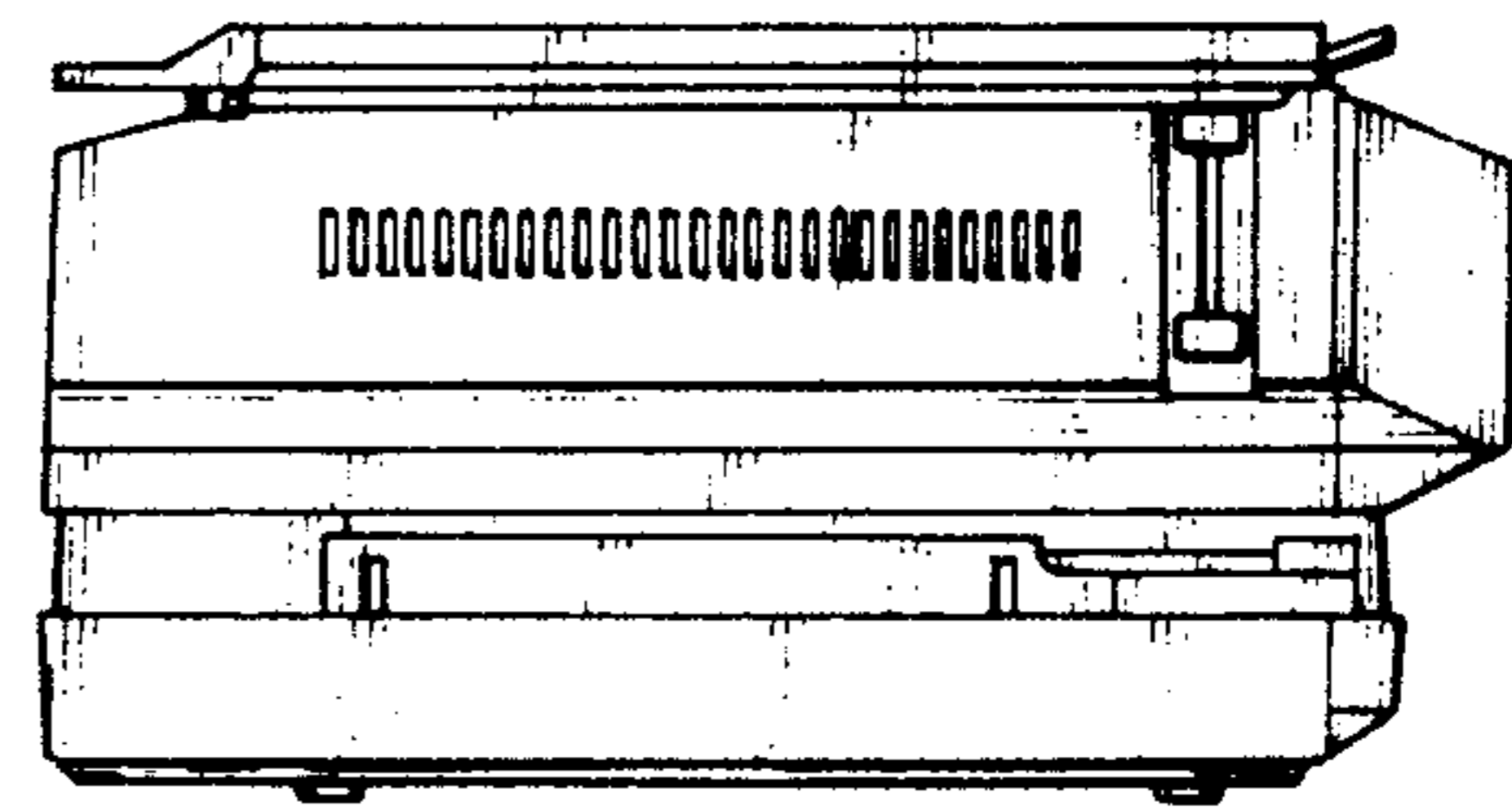


FIG. 7

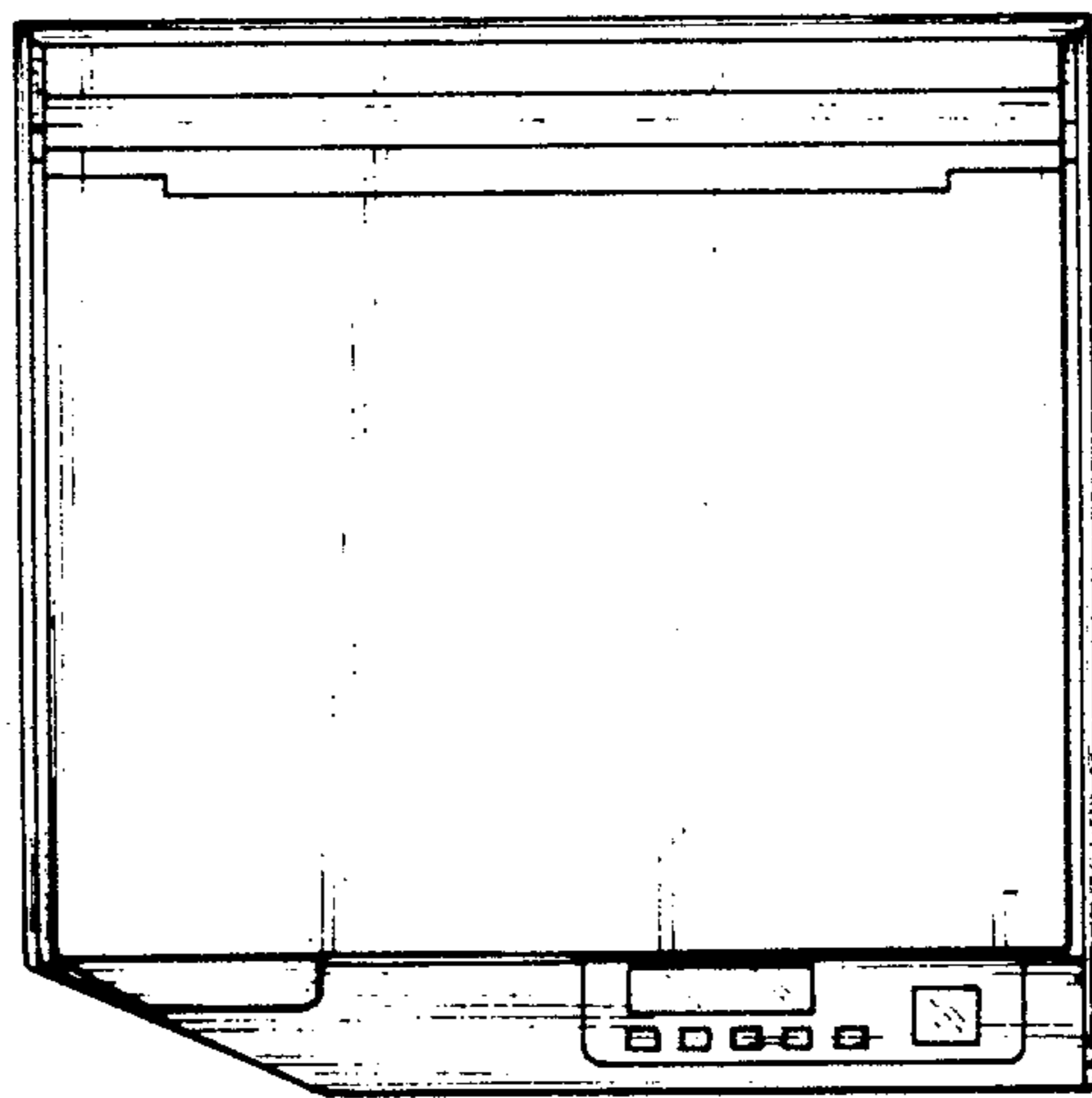


FIG. 8

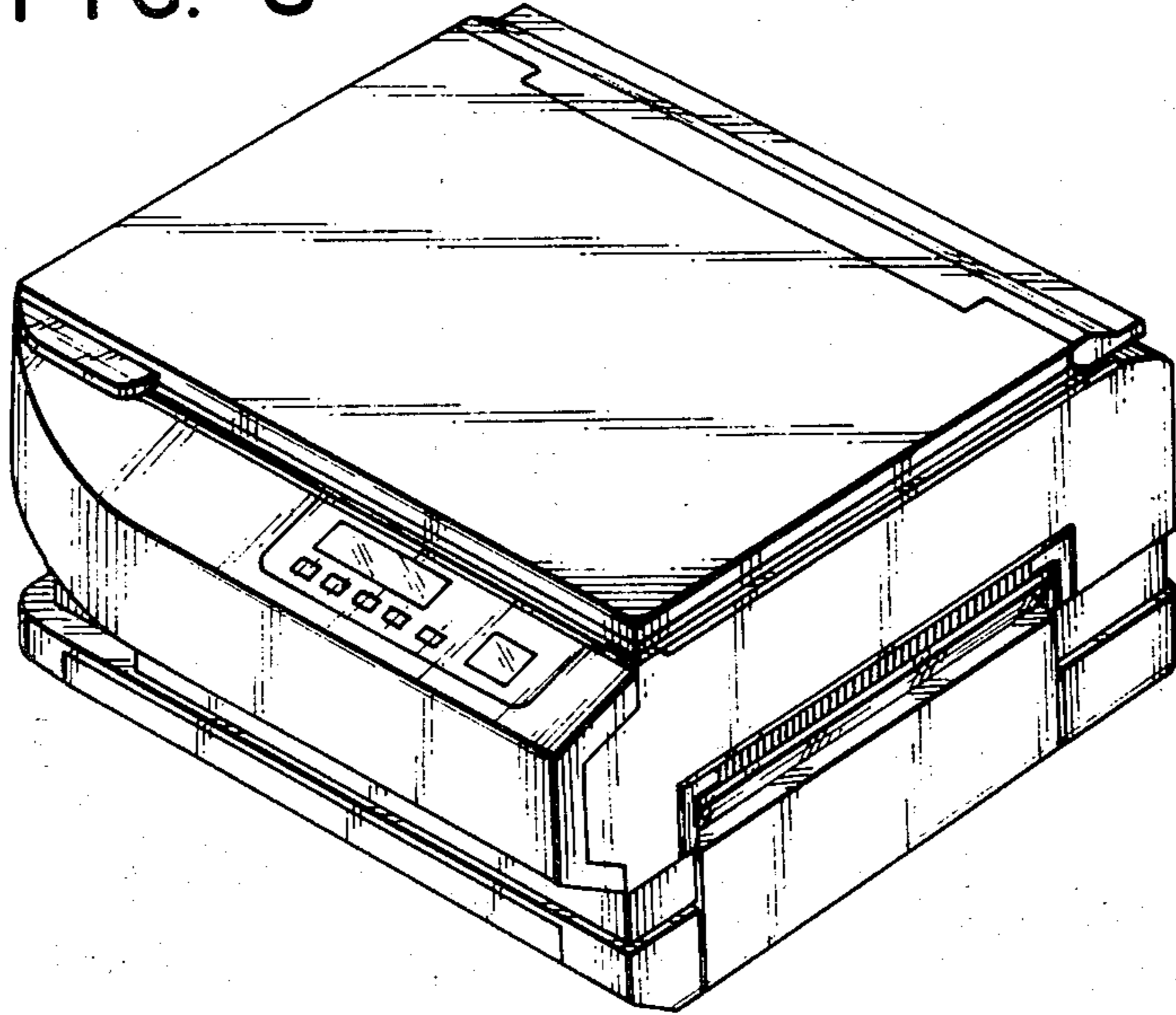


FIG. 9

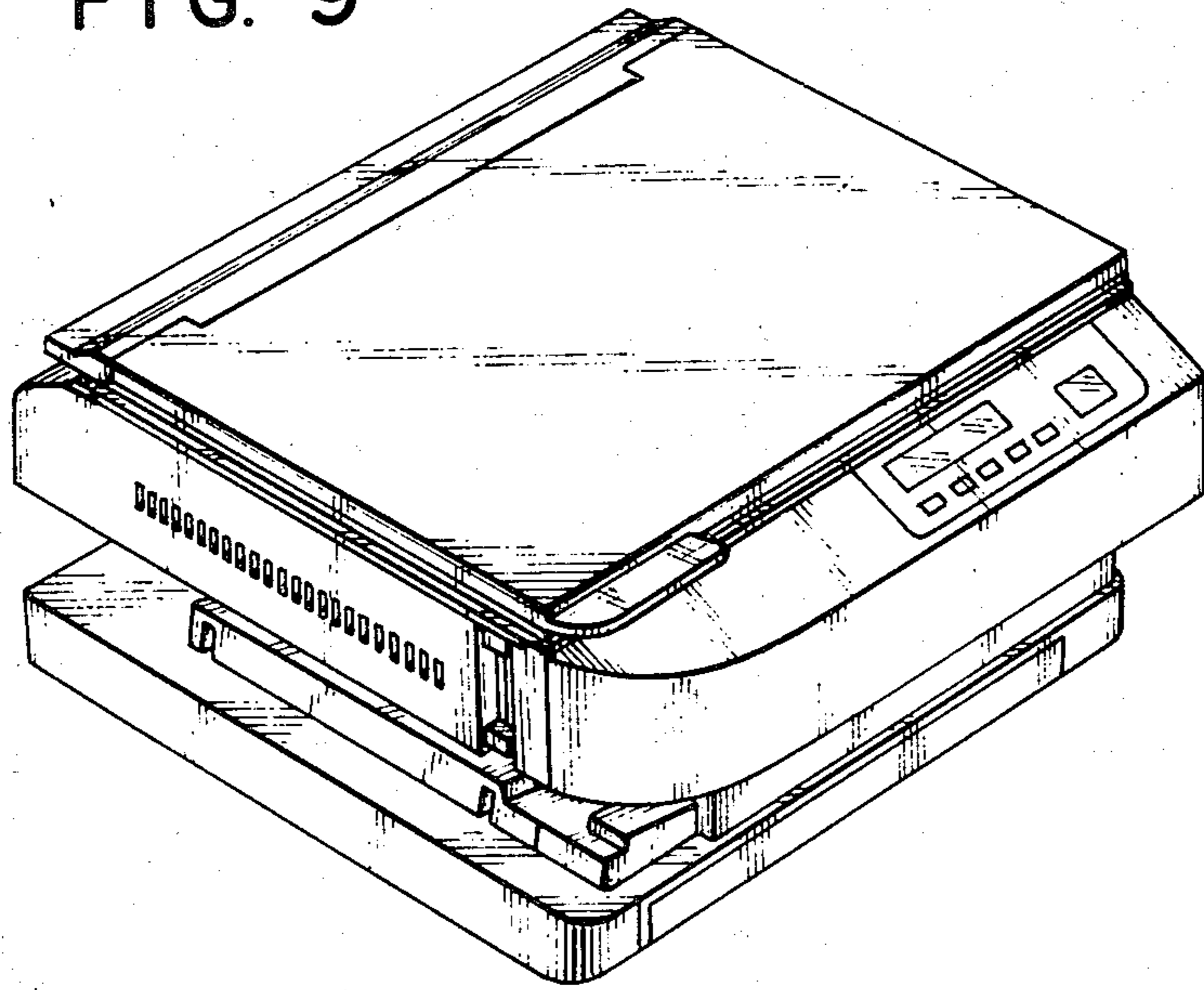


FIG. 10

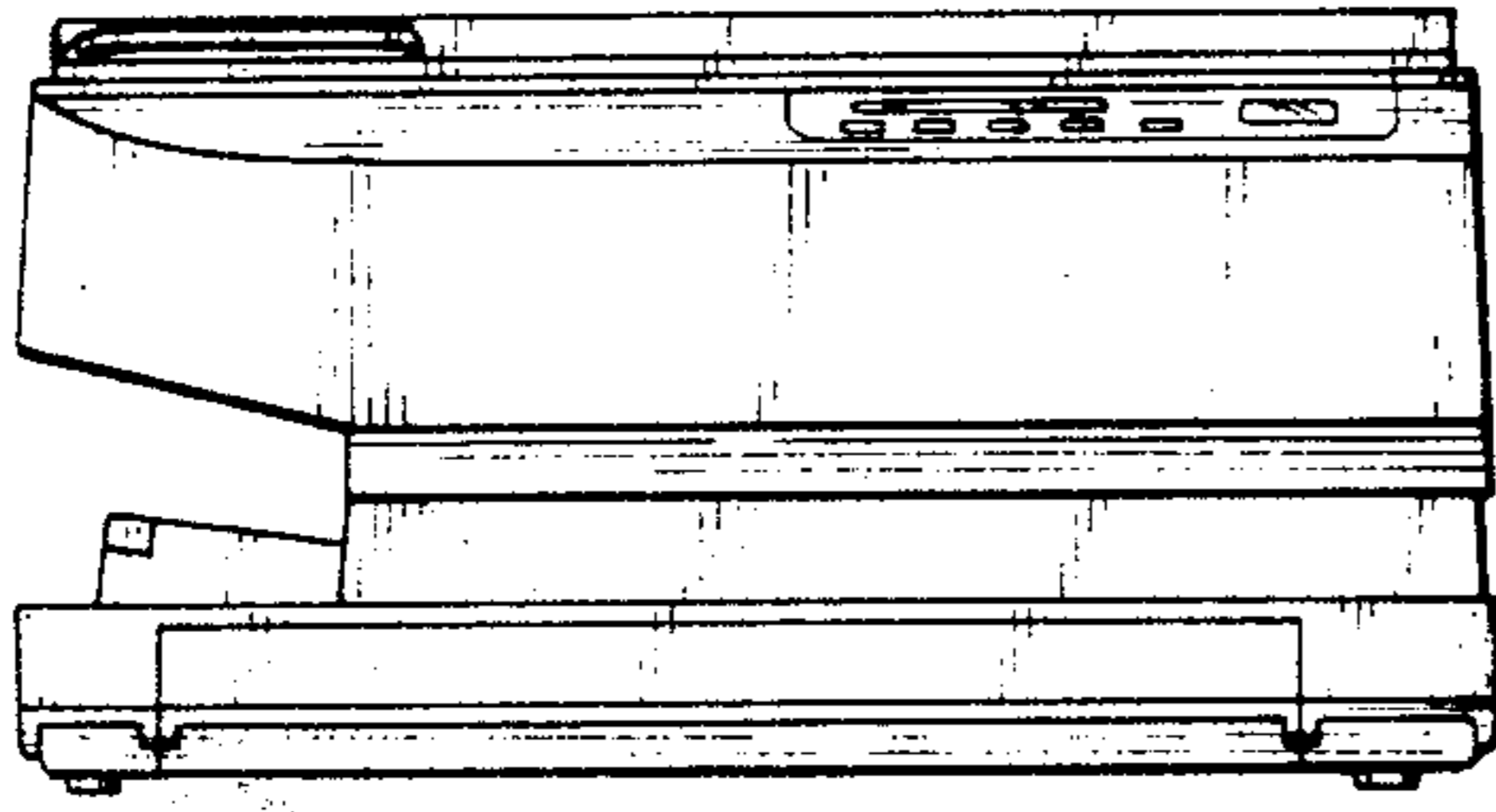


FIG. 11

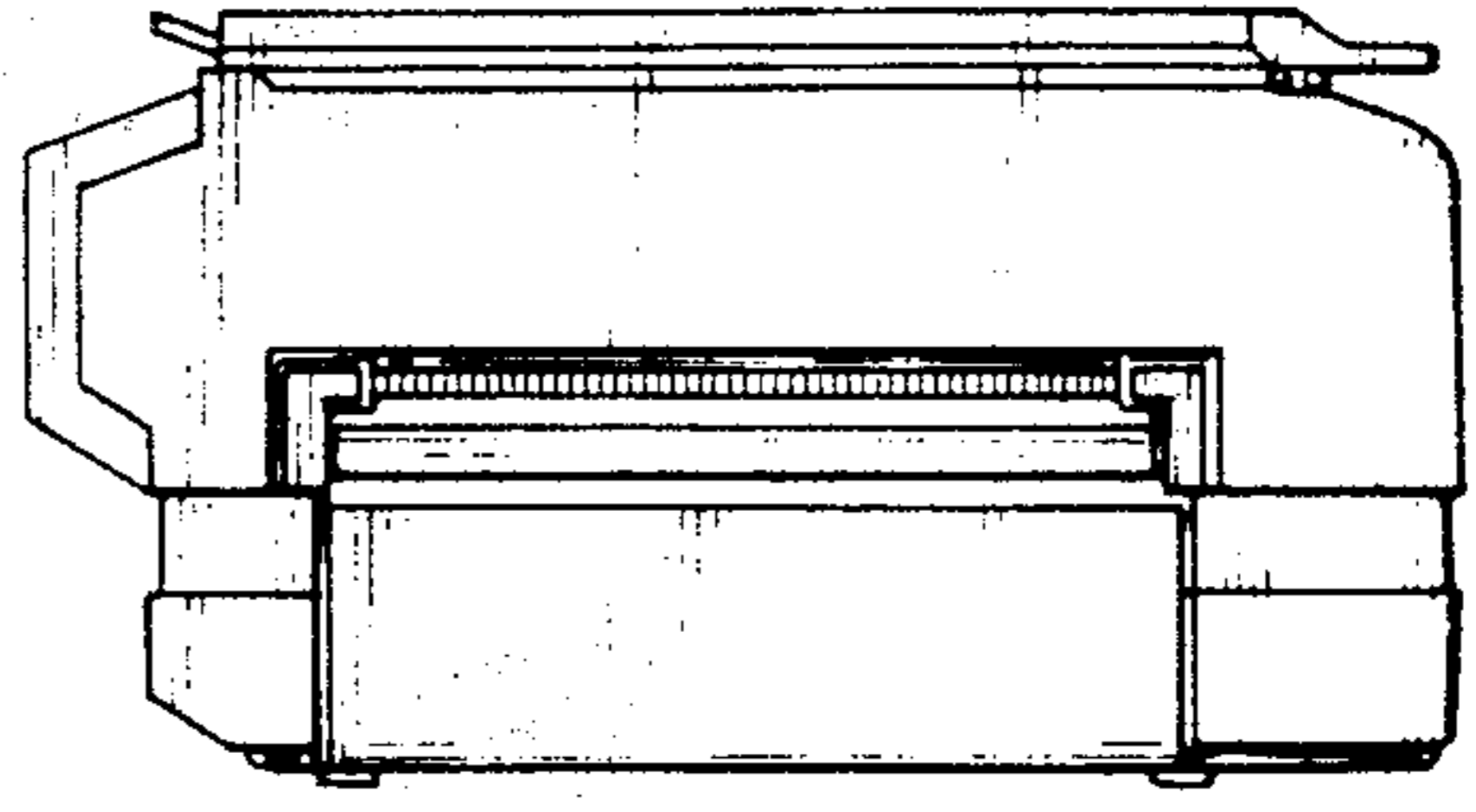


FIG. 12

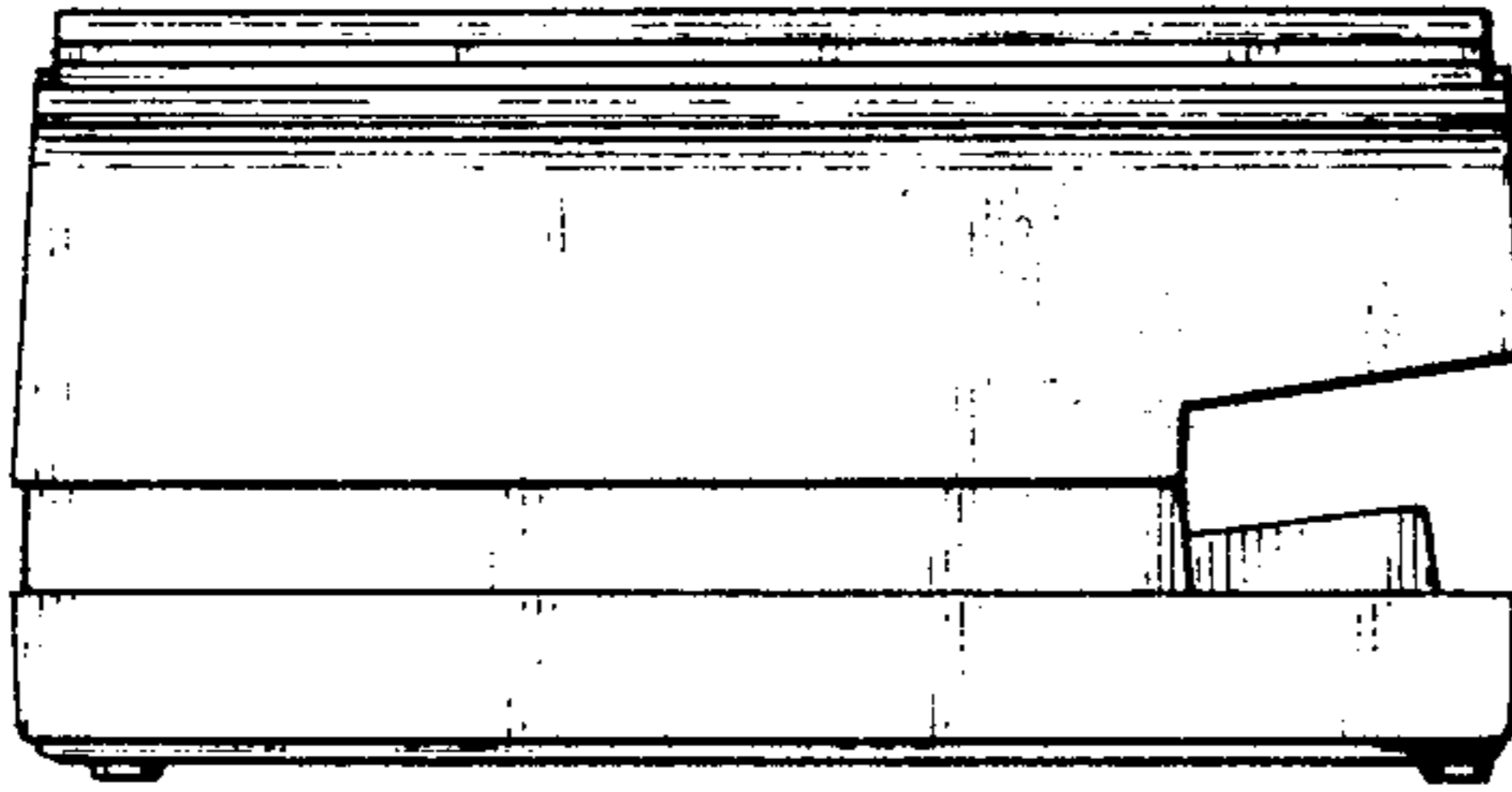


FIG. 13

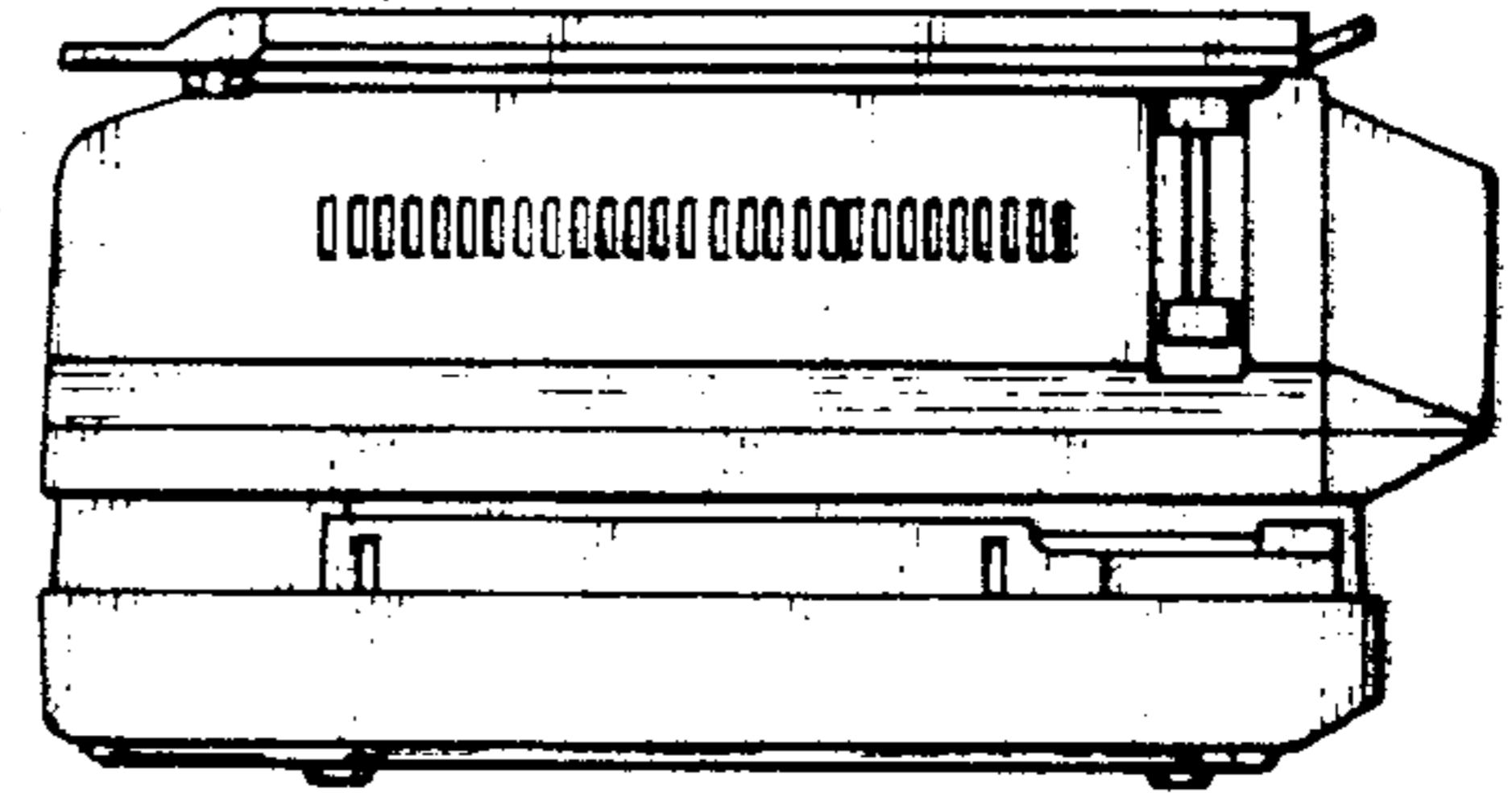


FIG. 14

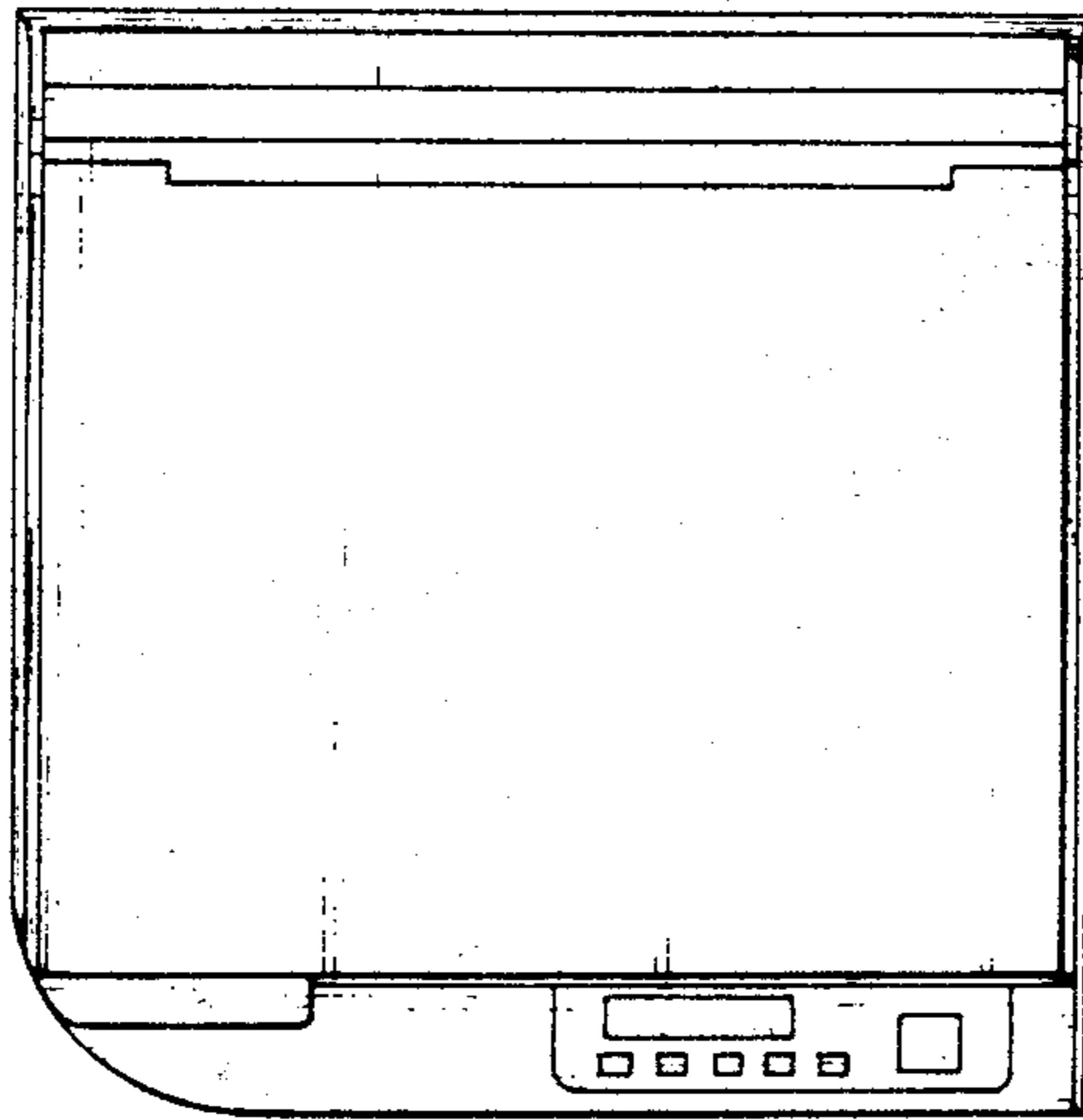


FIG. 15

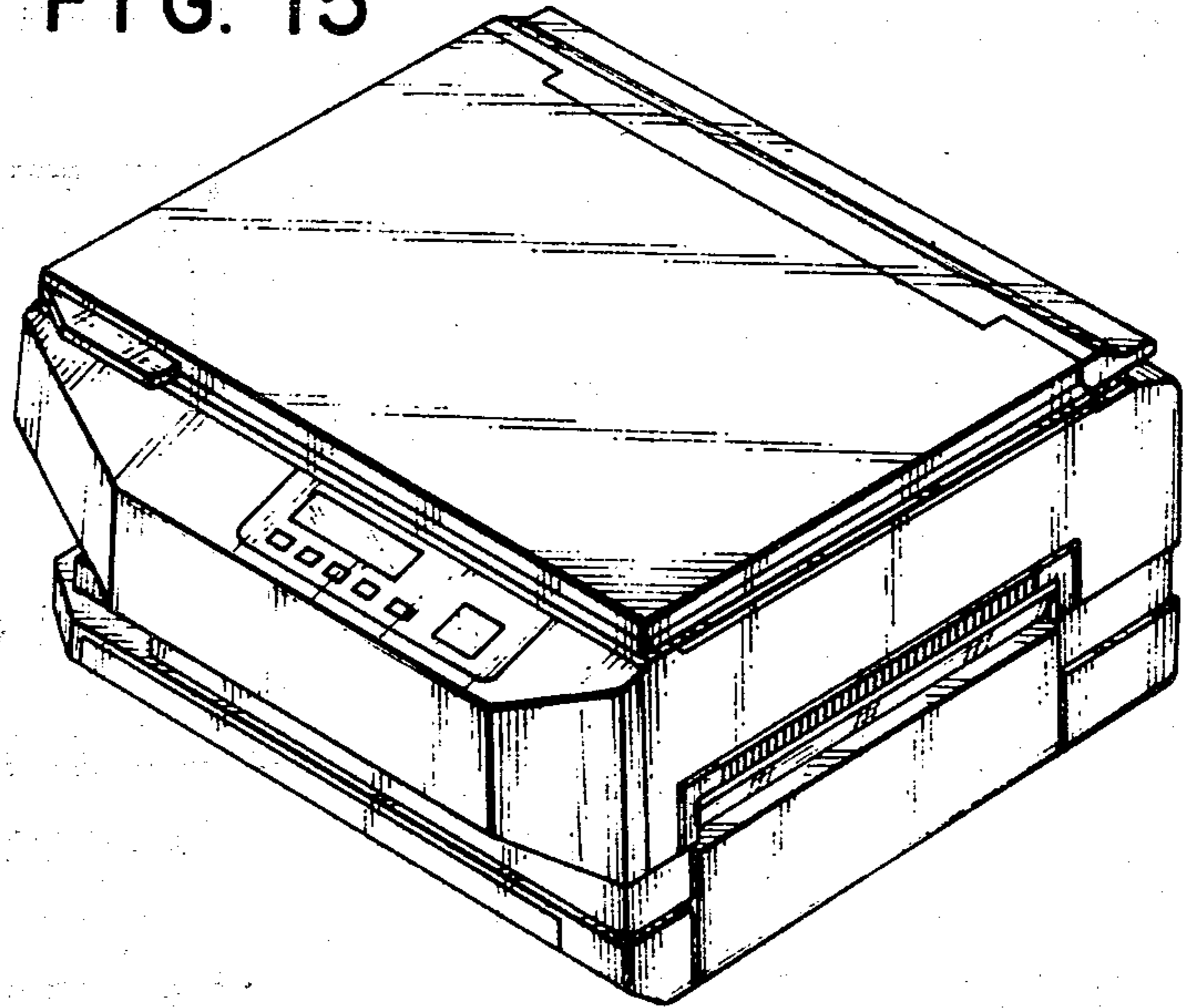


FIG. 16

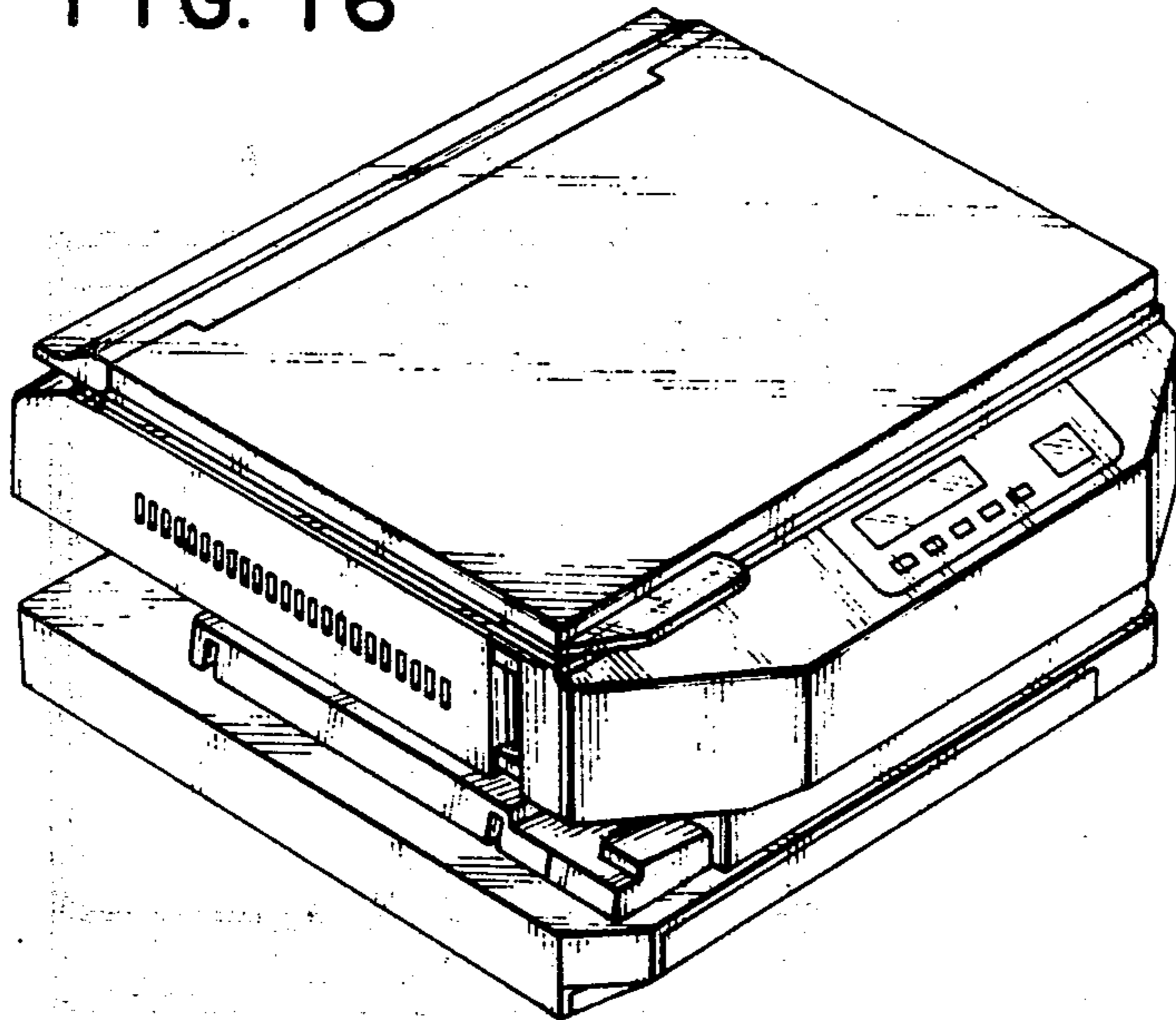


FIG. 17

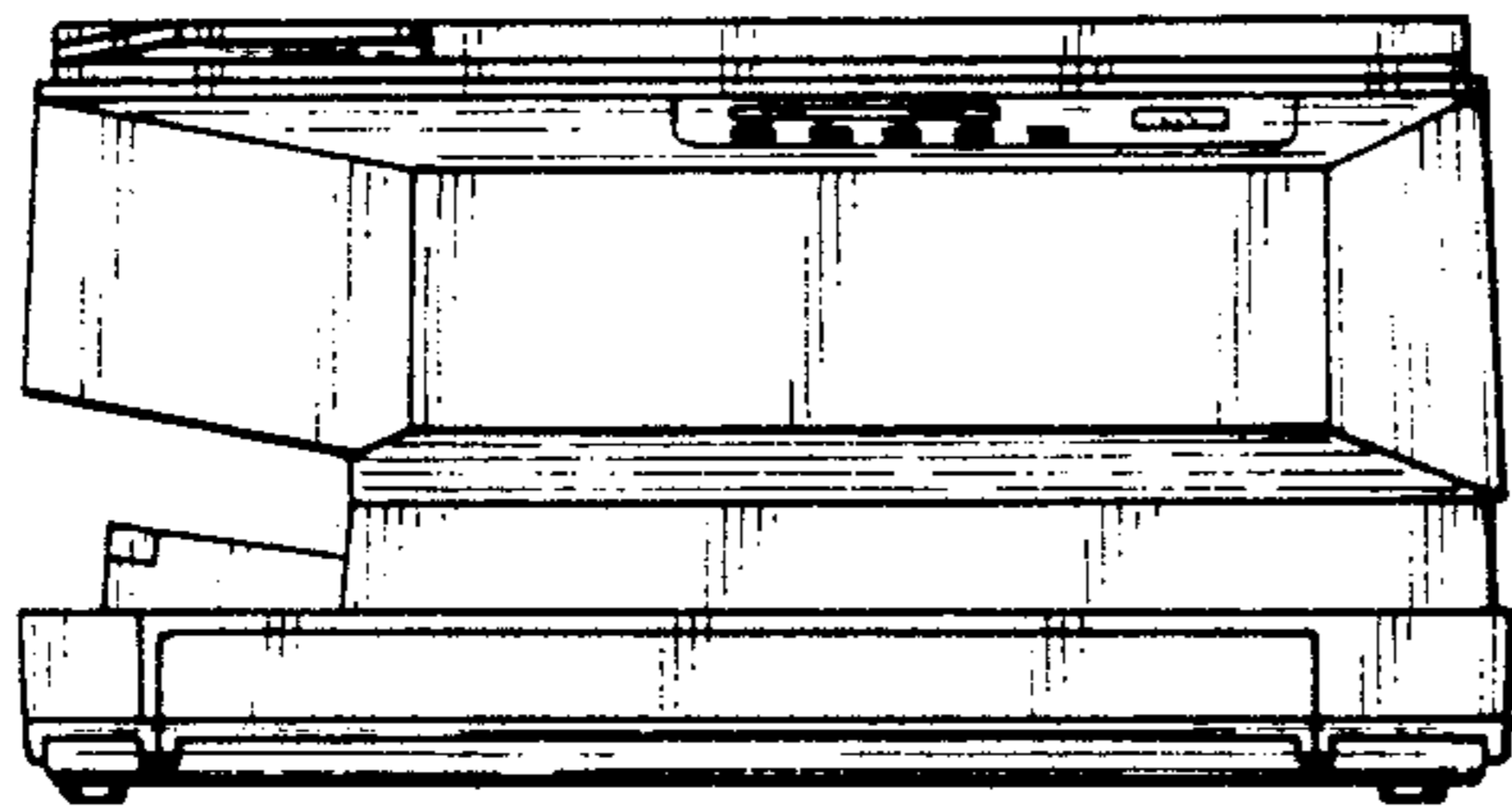


FIG. 18

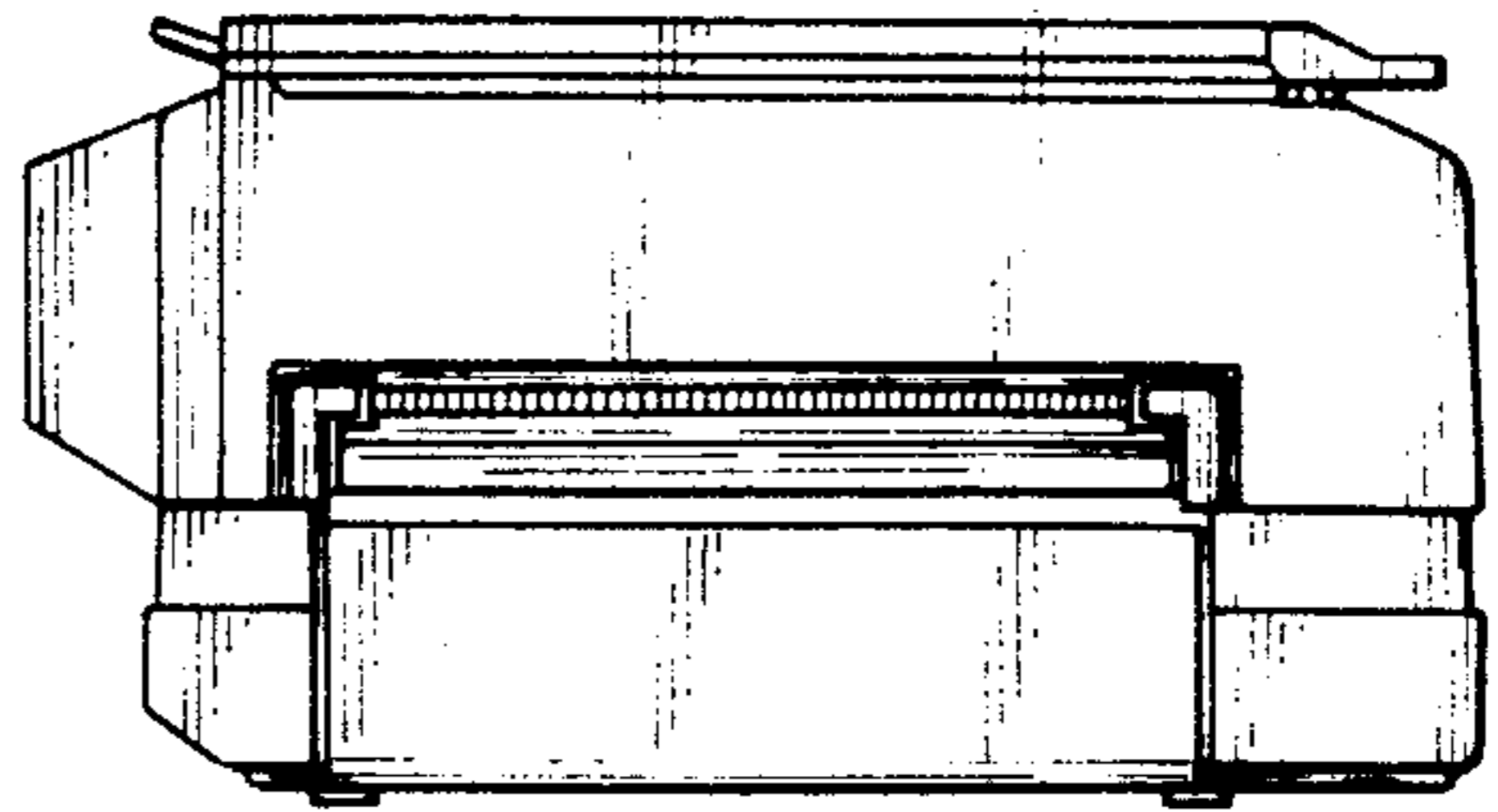


FIG. 19

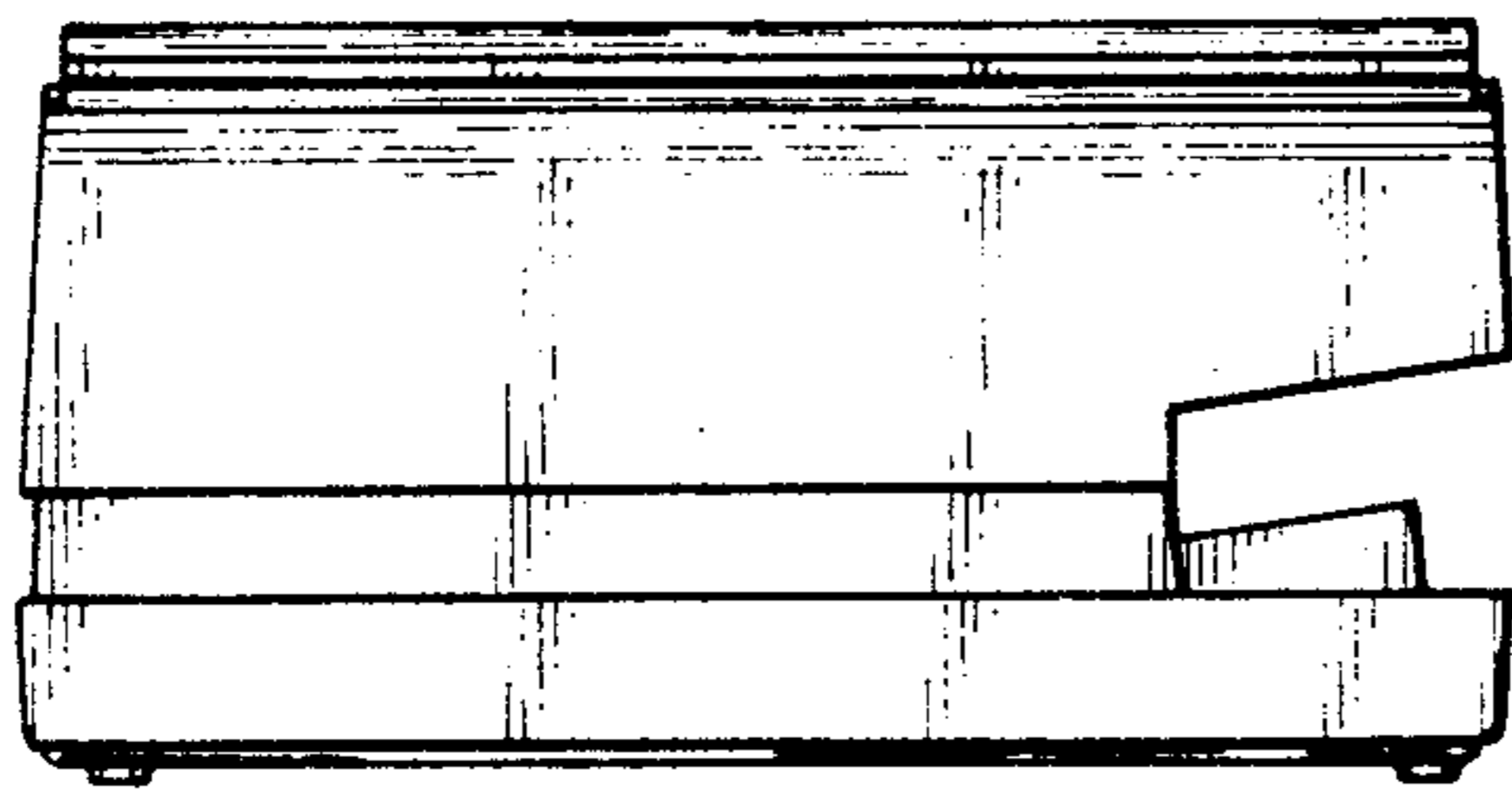


FIG. 20

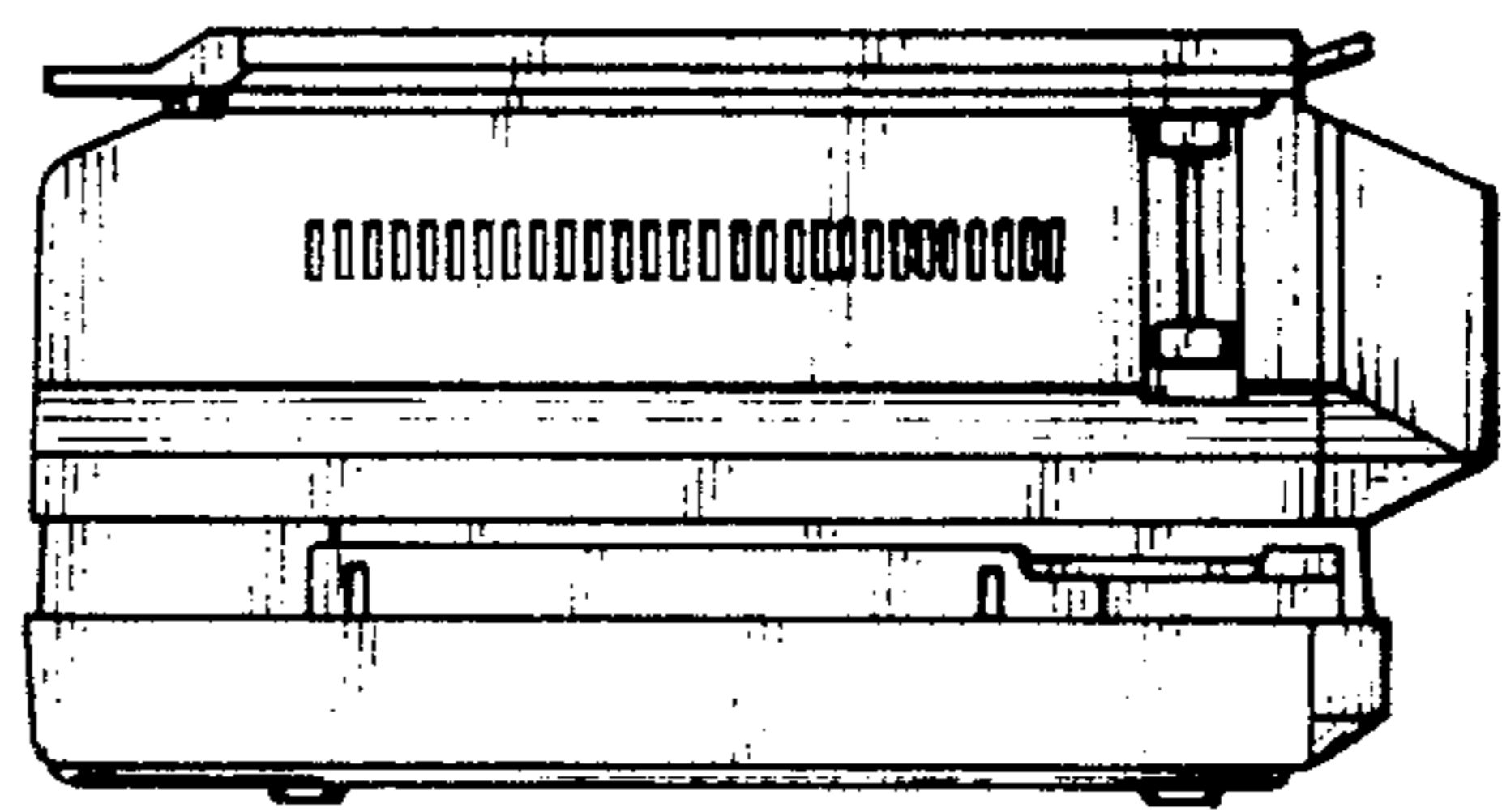


FIG. 21

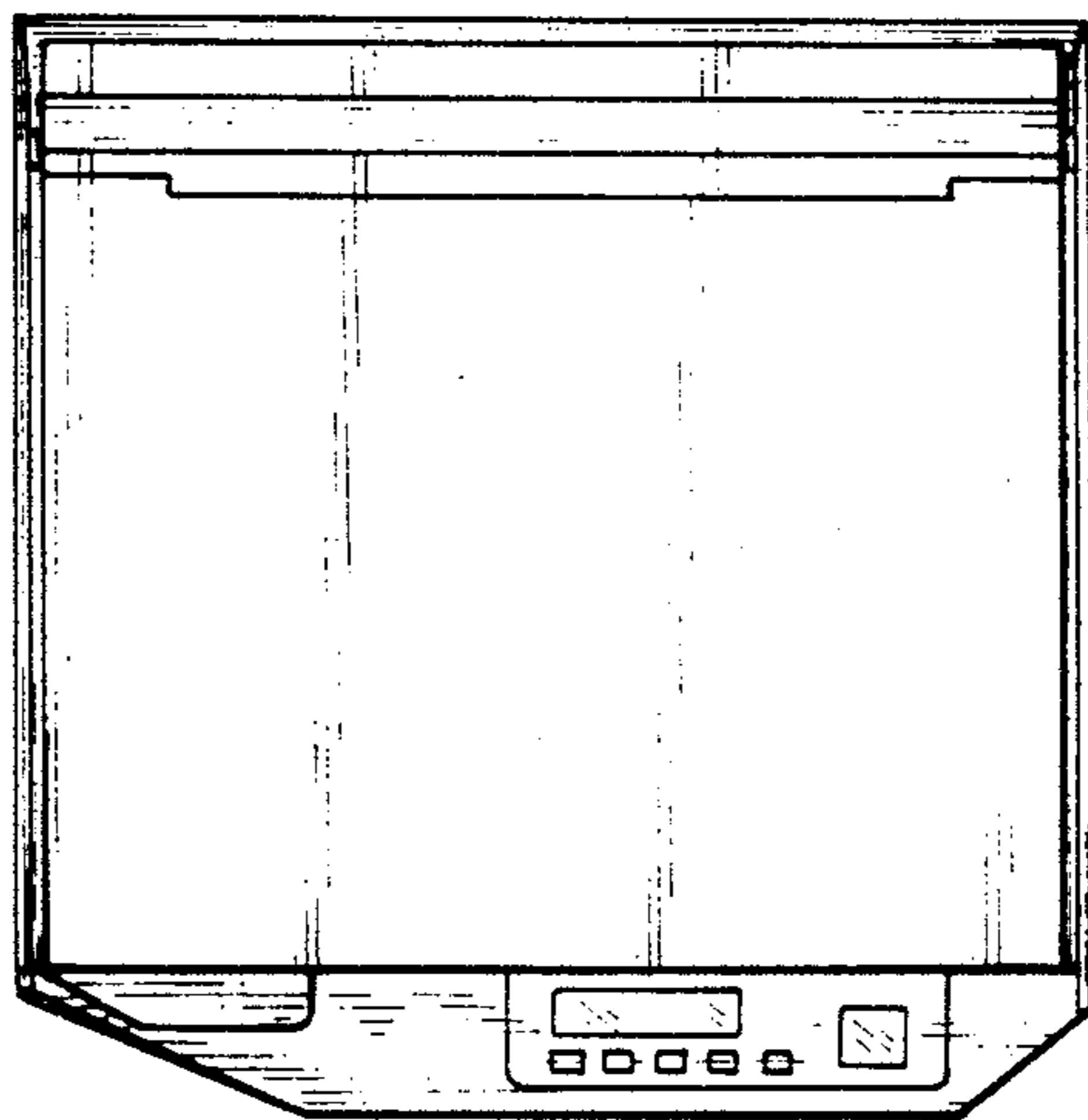


FIG. 22

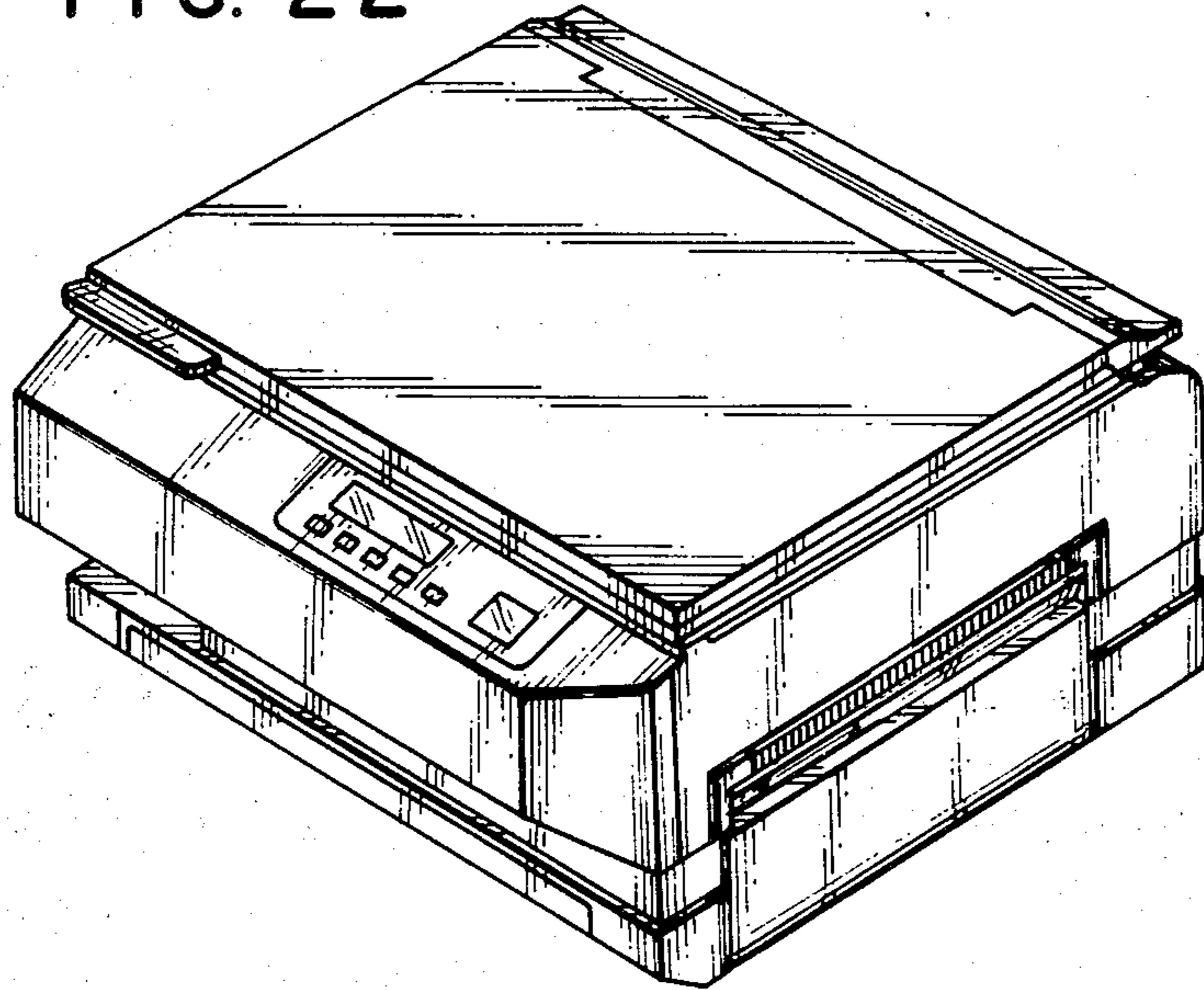


FIG. 23

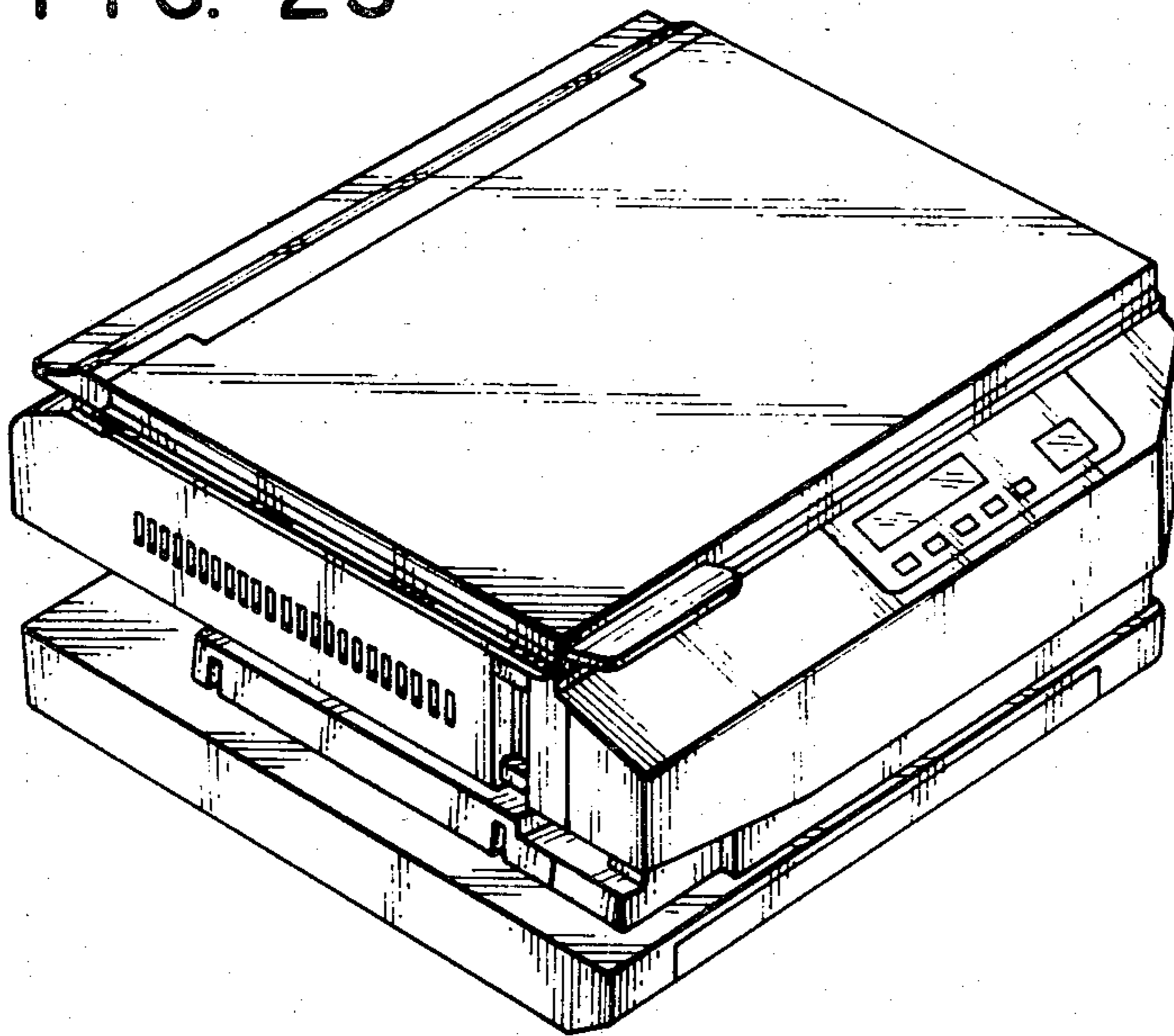


FIG. 24

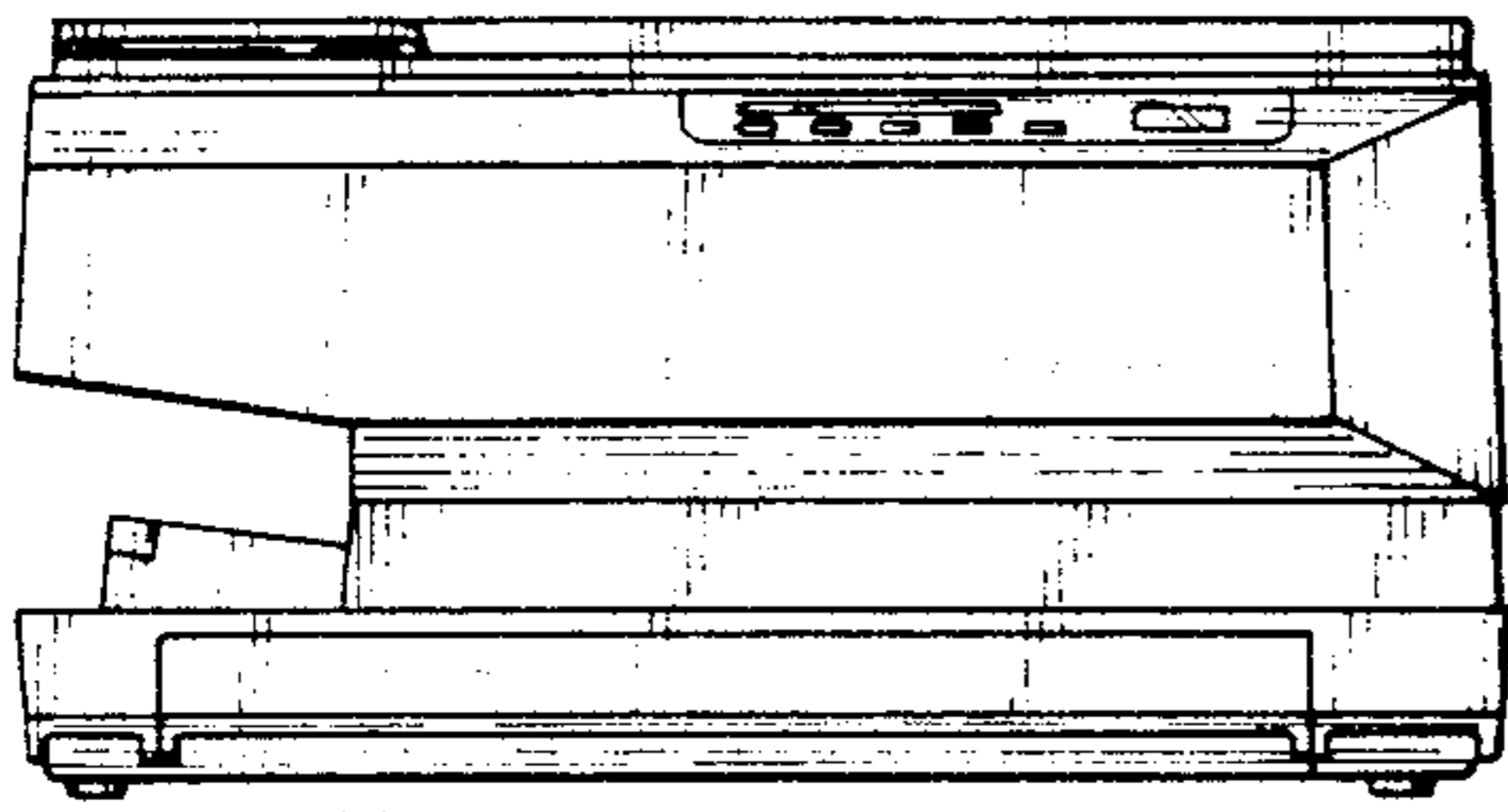


FIG. 25

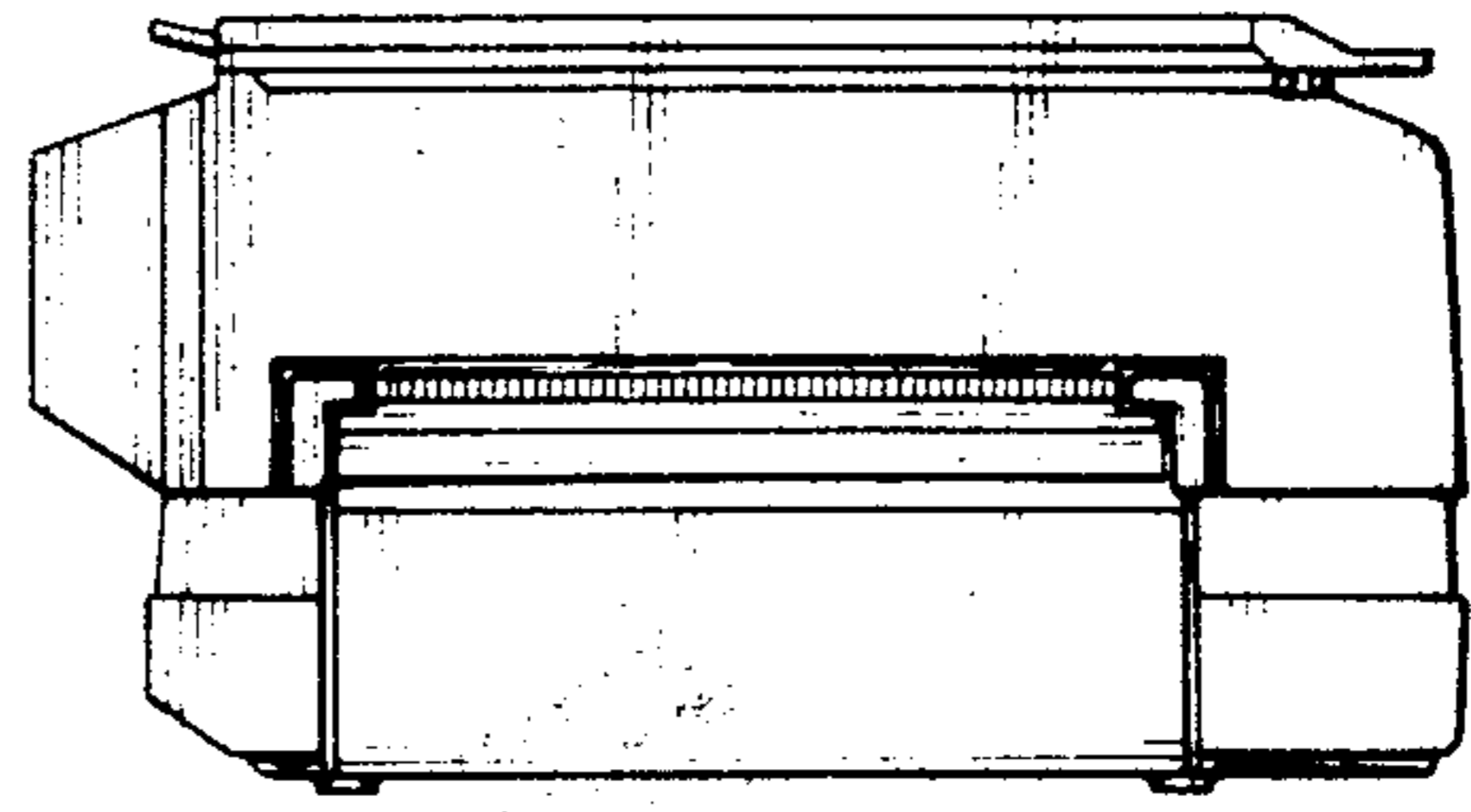


FIG. 26

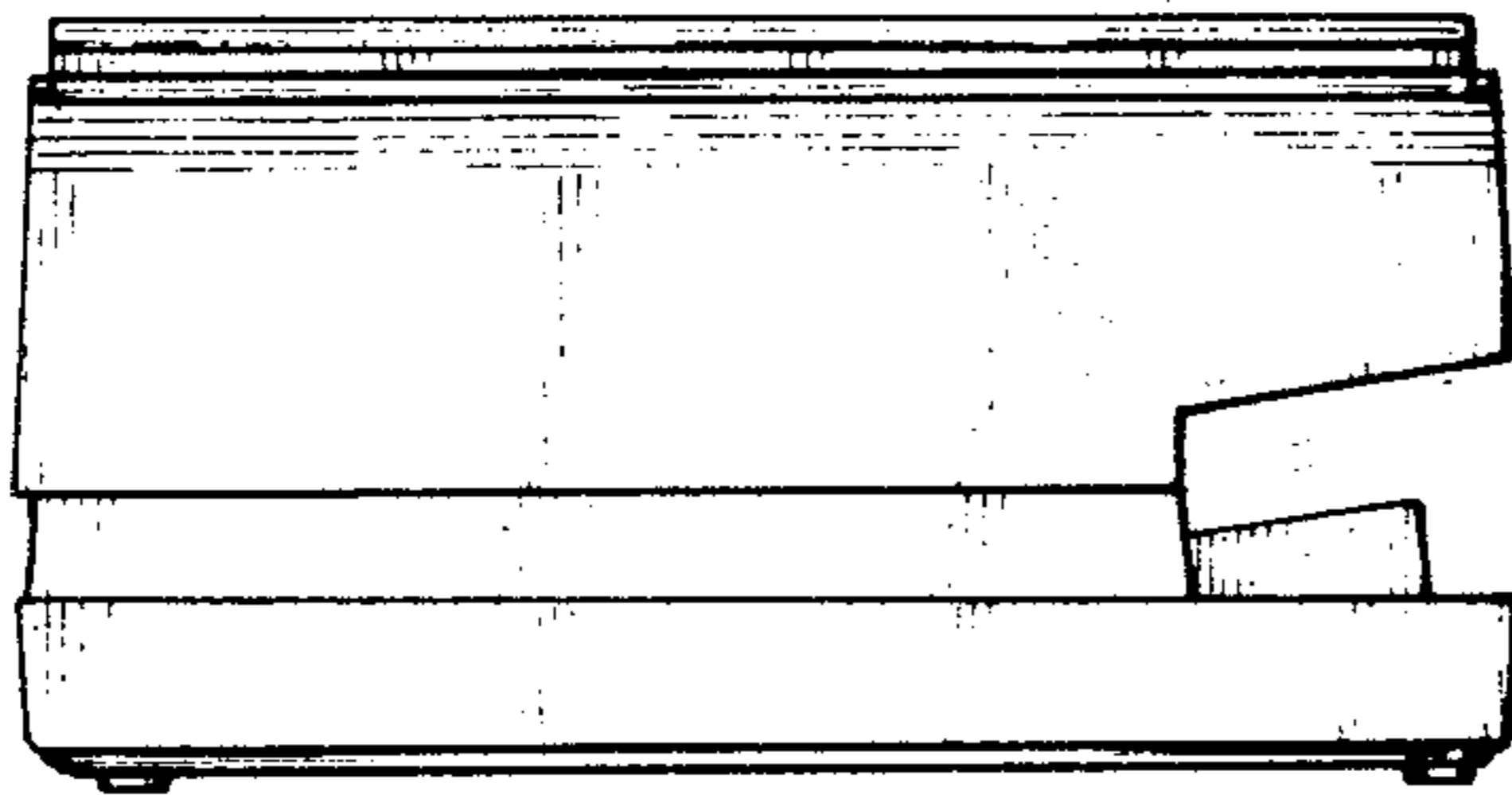


FIG. 27

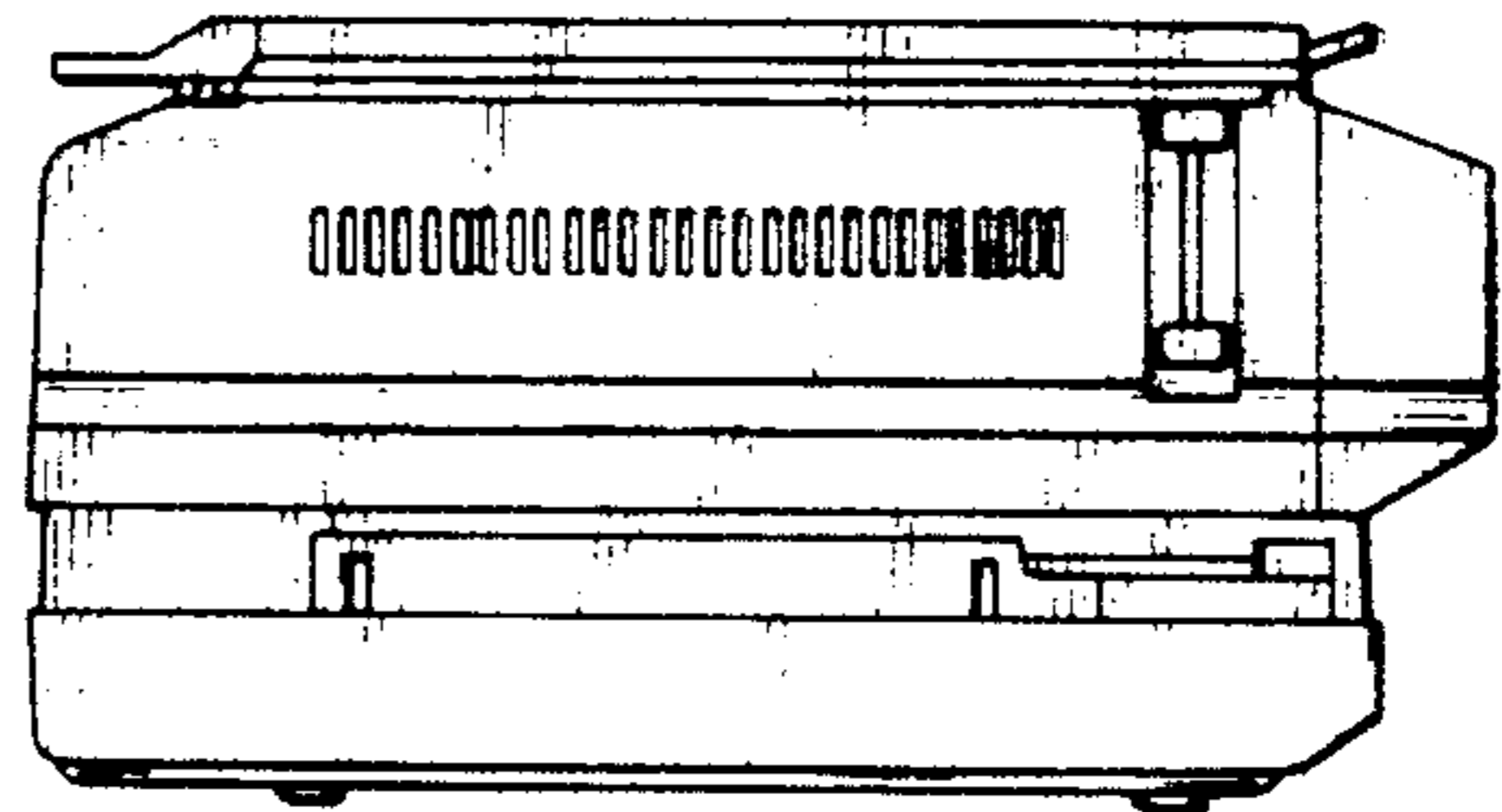


FIG. 28

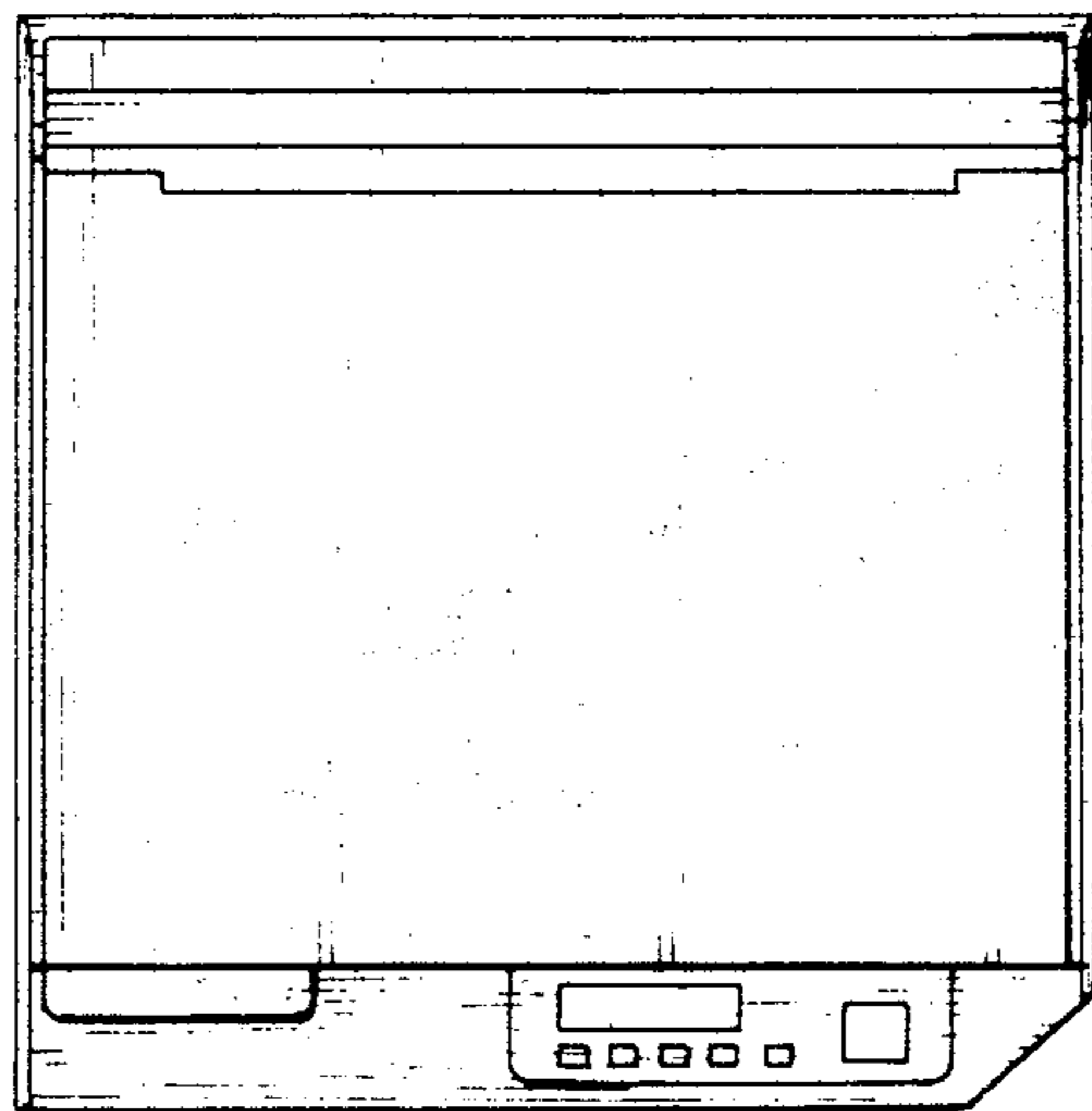


FIG. 29

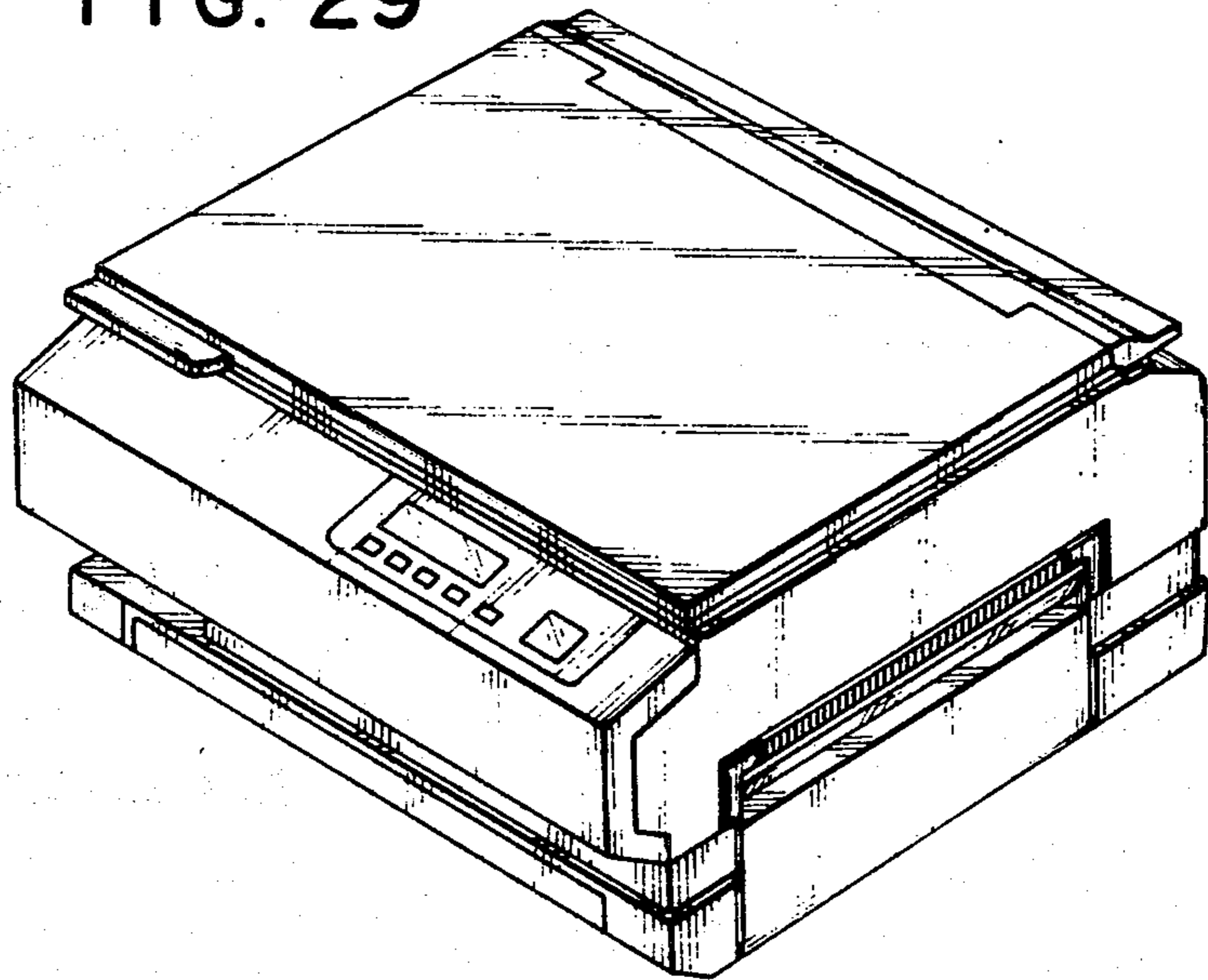


FIG. 30

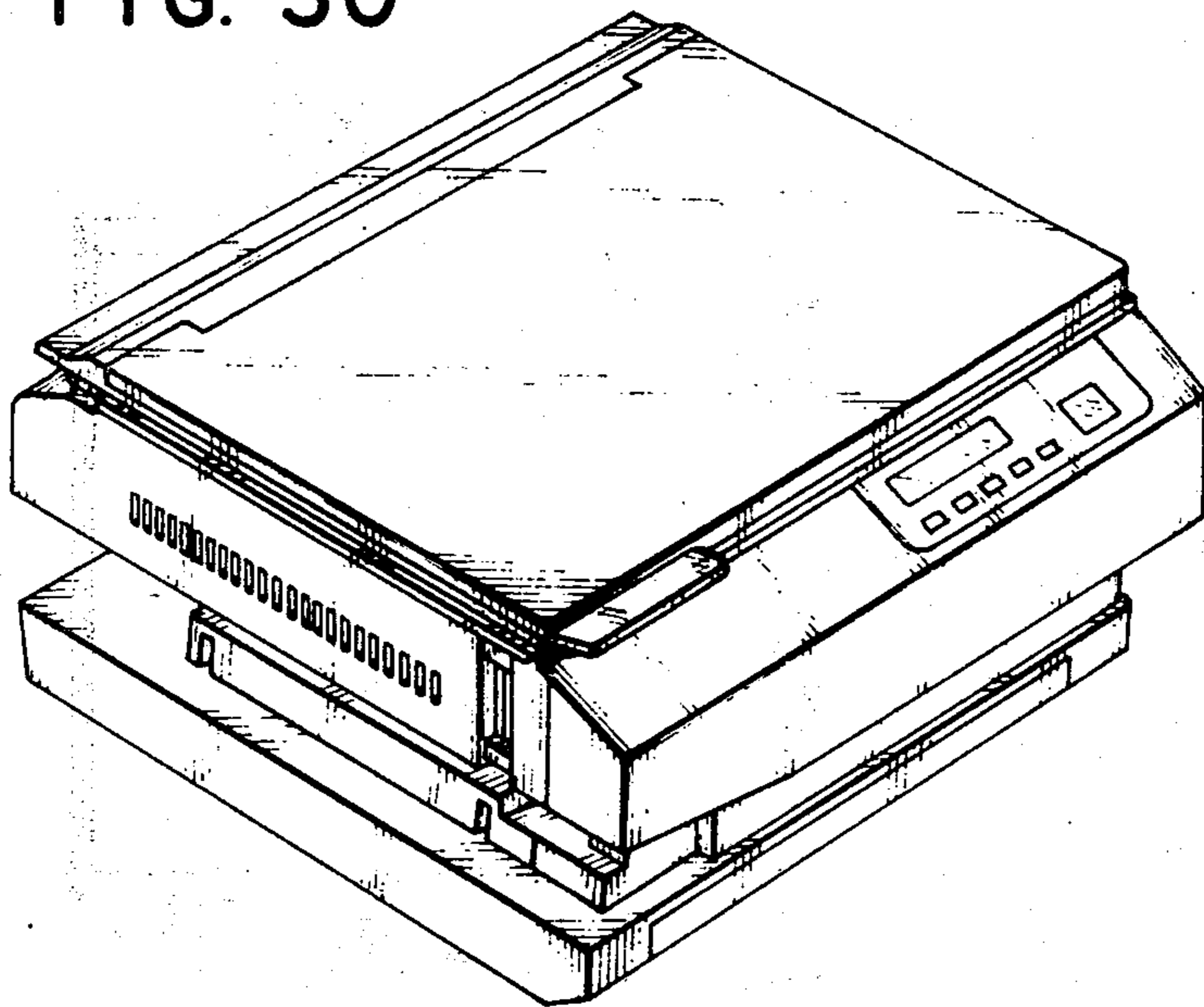


FIG. 31

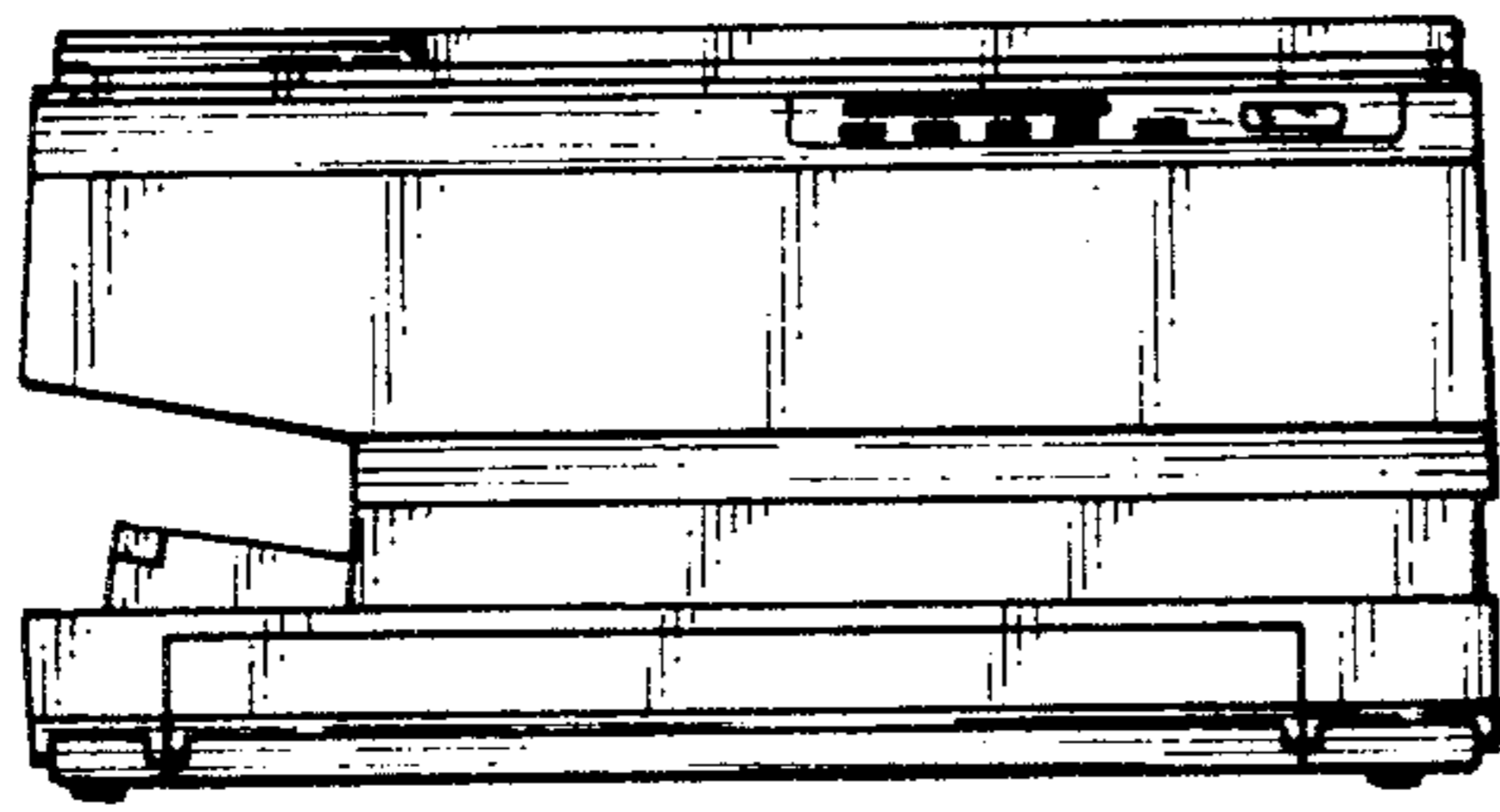


FIG. 32

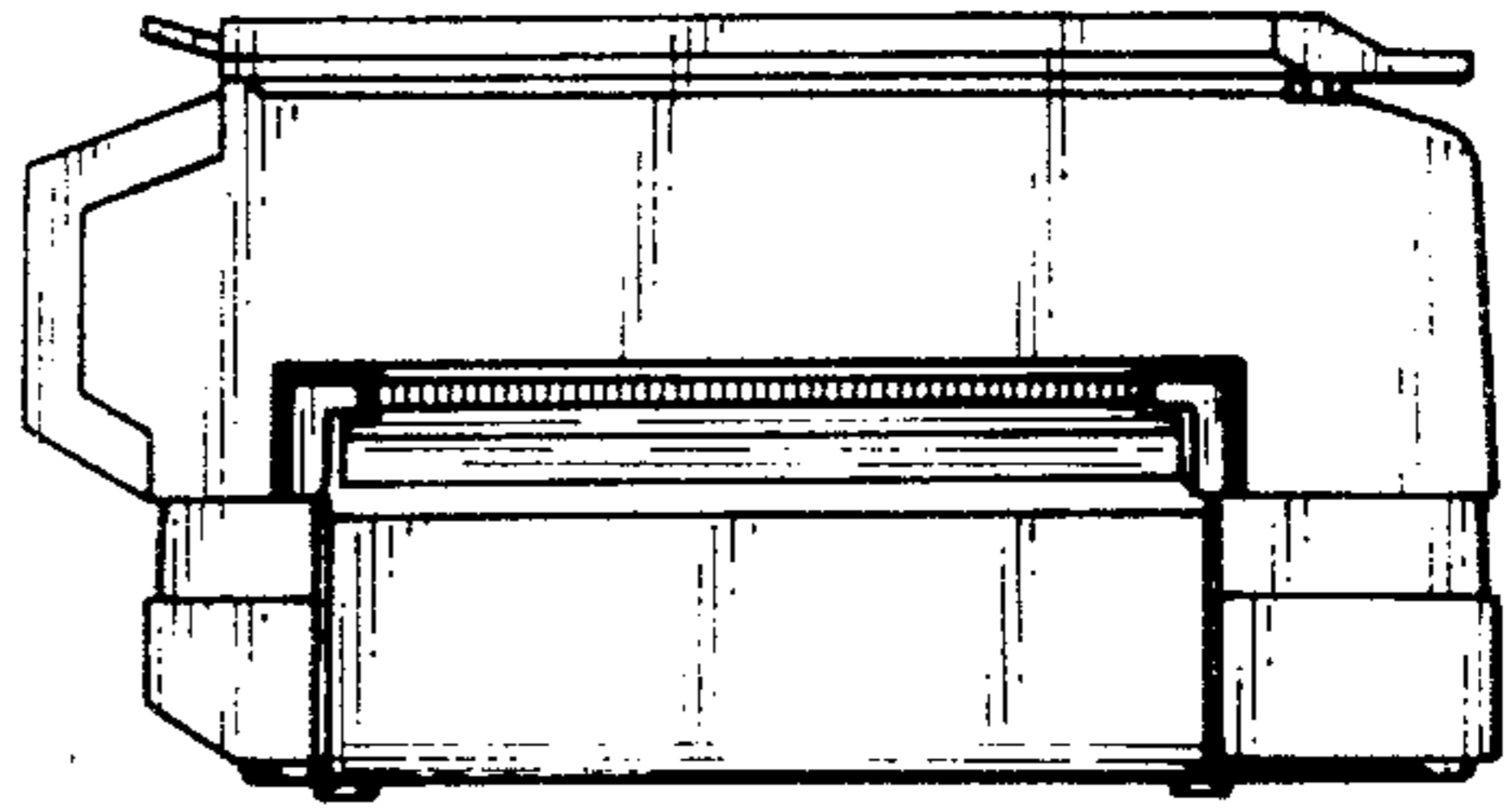


FIG. 33

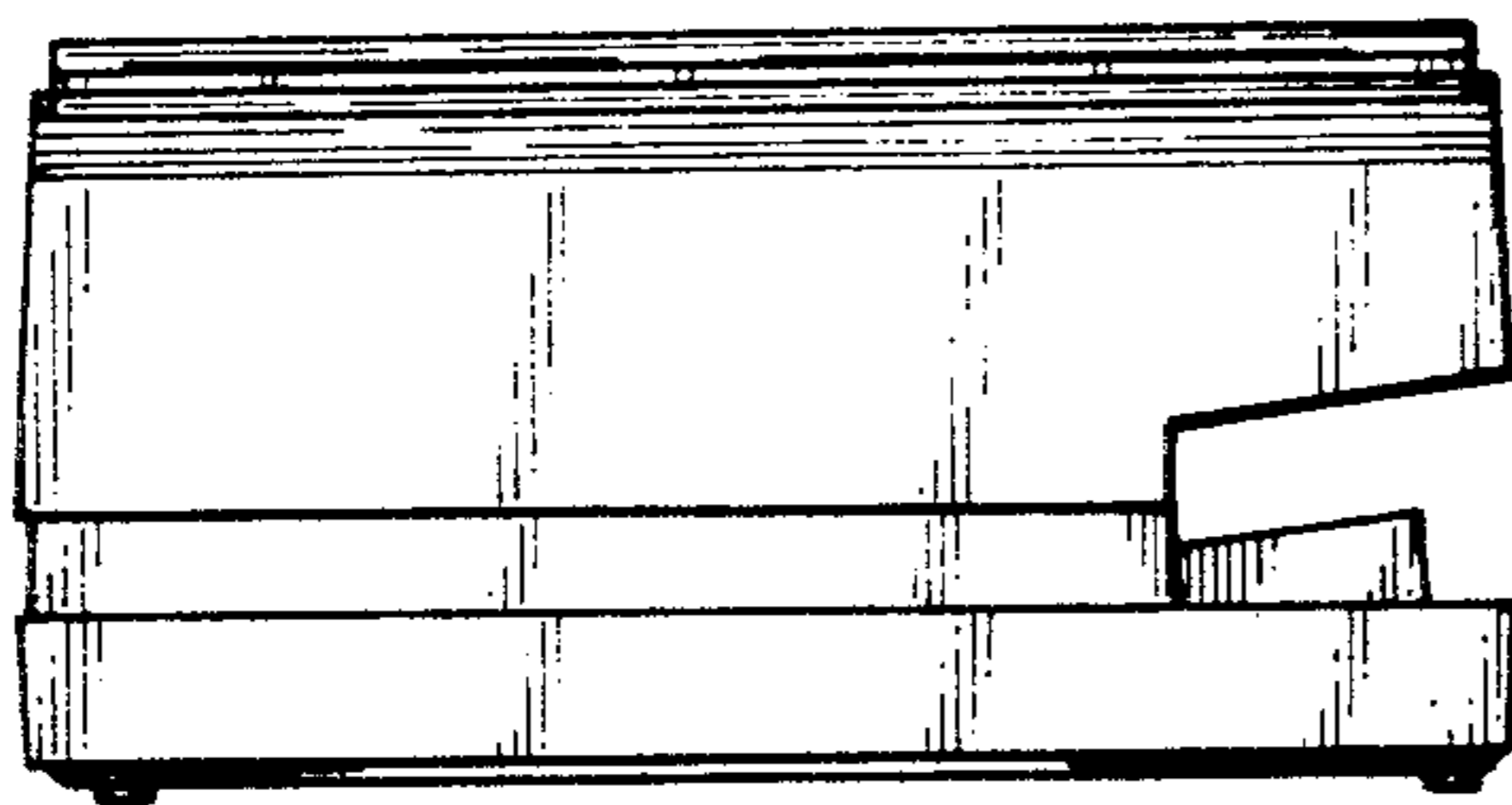


FIG. 34

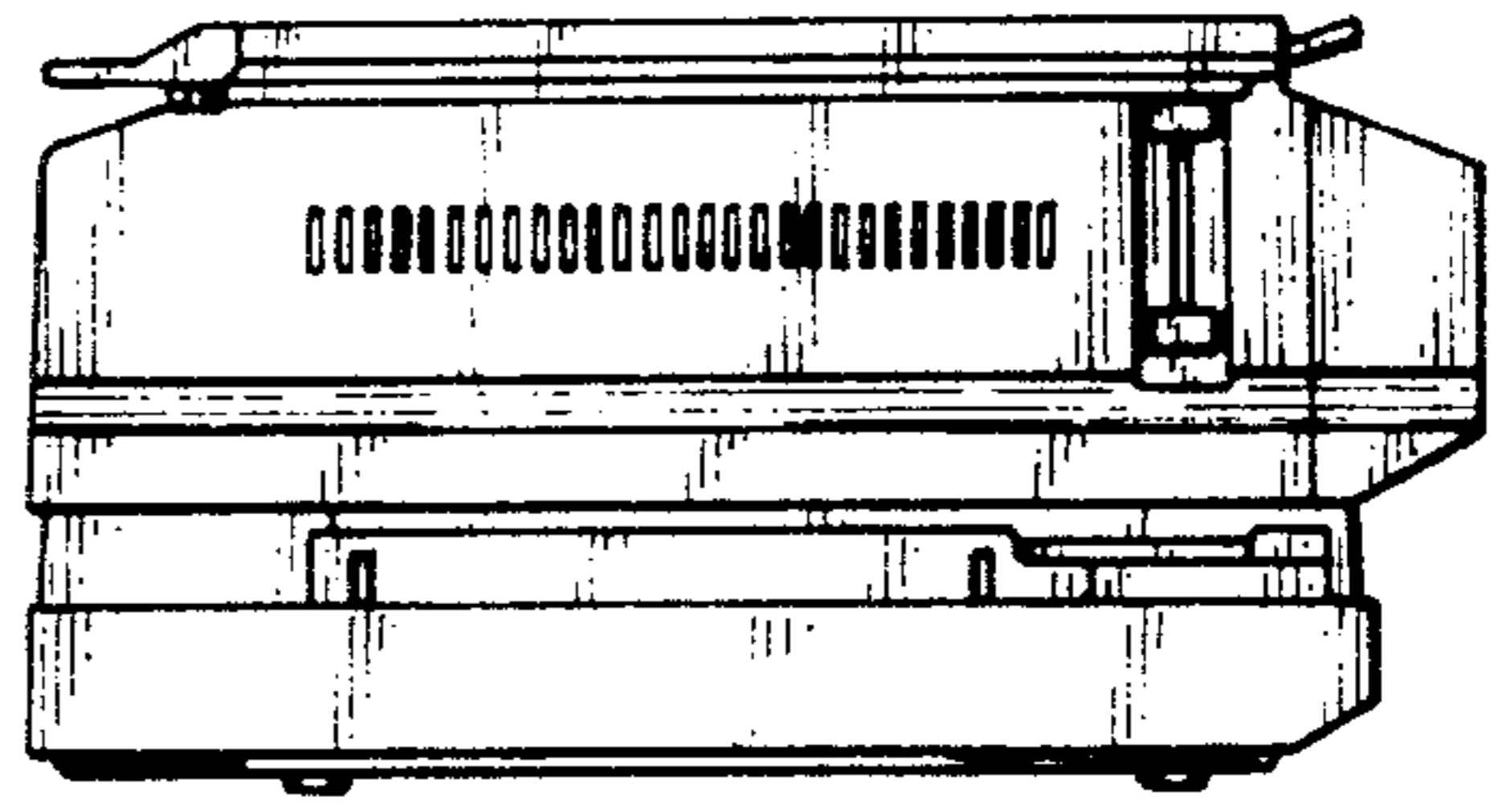


FIG. 35

