

[54] TELEPHONE SET

[75] Inventor: Robert Graf, Wilton, Conn.

[73] Assignee: PKS/Communications, Incorporated, Milford, Conn.

[**] Term: 14 Years

[21] Appl. No.: 590,788

[22] Filed: Mar. 19, 1984

[52] U.S. Cl. D14/53; D14/58; D14/62; D14/63

[58] Field of Search D14/53, 57, 58, 59, D14/60, 63, 64; 179/179, 178, 100 R, 100 D, 100 C, 100 L, 101, 103, 81 B

[56] References Cited

U.S. PATENT DOCUMENTS

D. 255,681	7/1980	Read	D14/53
D. 257,772	1/1981	Fukutami	D14/53
D. 269,013	7/1983	Foggia	D14/53

D. 269,674	7/1983	Hinota et al.	D14/53
D. 272,441	1/1984	Carr	D14/53
D. 275,008	8/1984	Martin	D14/58
D. 275,099	8/1984	Spilmont et al.	D14/58
D. 278,533	4/1985	Ando	D14/53
D. 280,324	8/1985	Endt	D14/53

Primary Examiner—Wallace R. Burke
Assistant Examiner—Horace B. Fay
Attorney, Agent, or Firm—Kramer and Brufsky

[57] CLAIM

The ornamental design for a telephone set, as shown and described.

DESCRIPTION

FIG. 1 is a front, top and right side perspective view of a telephone set showing my new design; FIGS. 2 and 3 are respectively front and rear elevational views; FIGS. 4 and 5 are respective left and right side elevational views; and FIG. 6 is a bottom plan view.

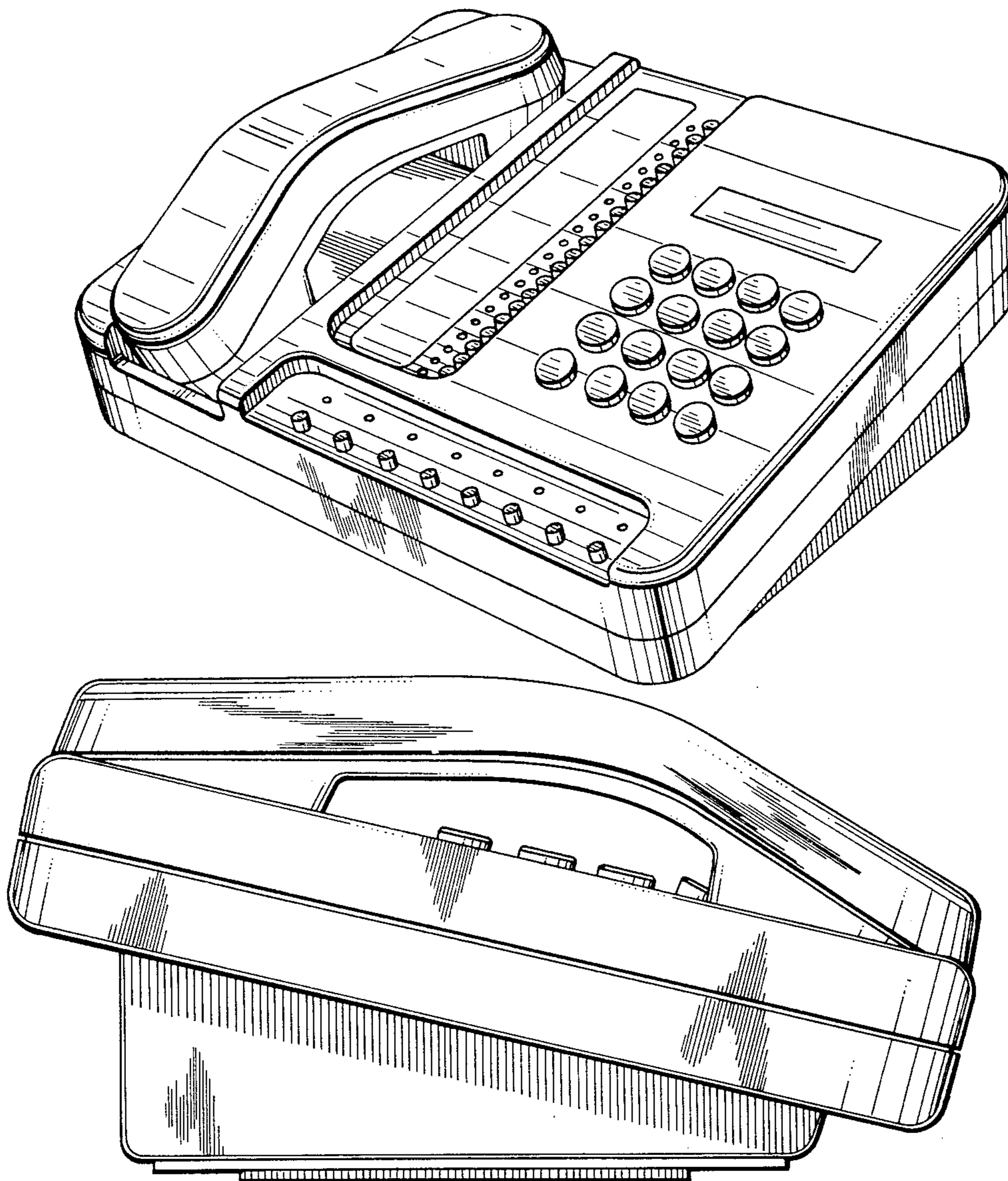


FIG. 1.

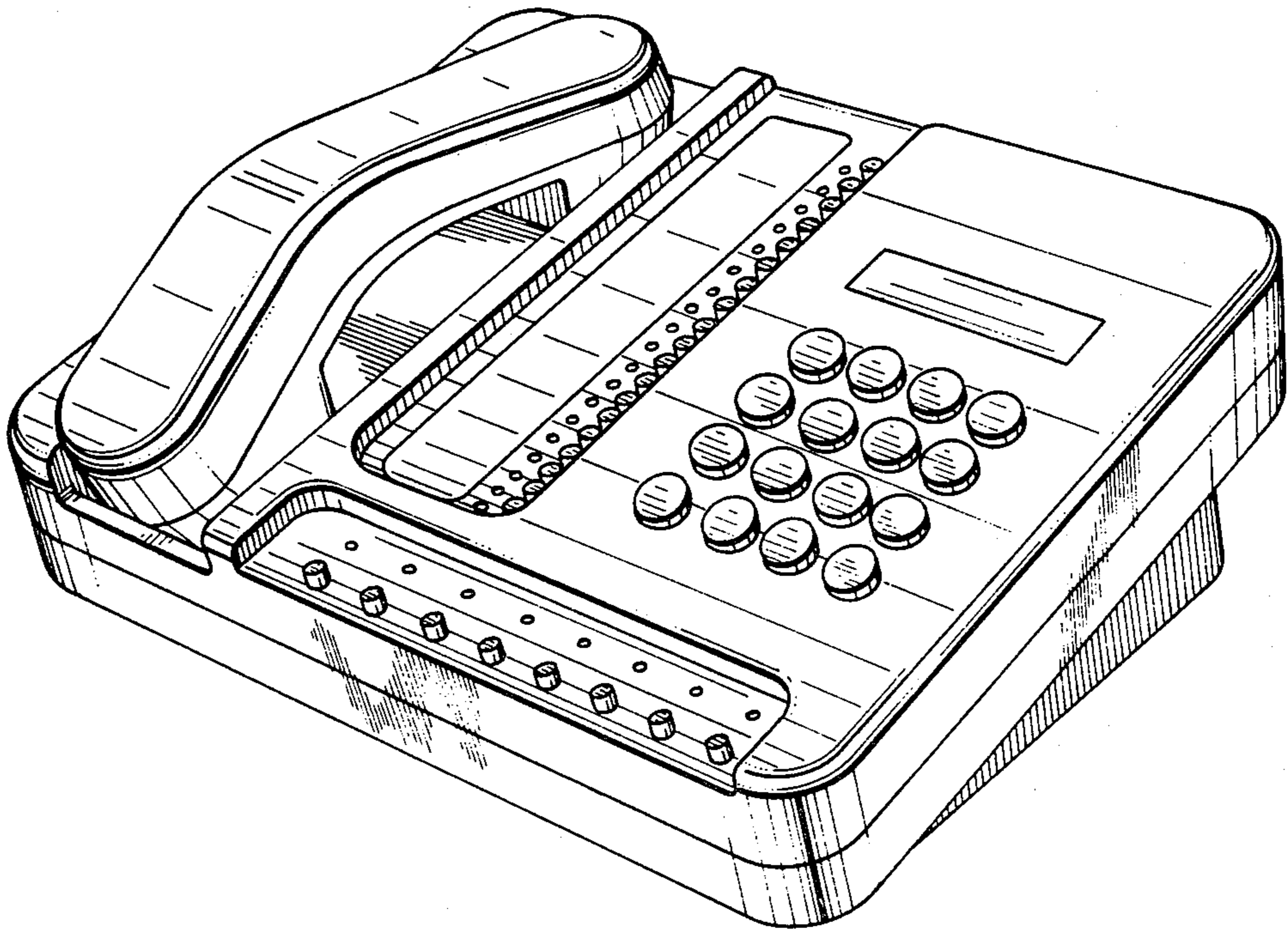


FIG. 2.

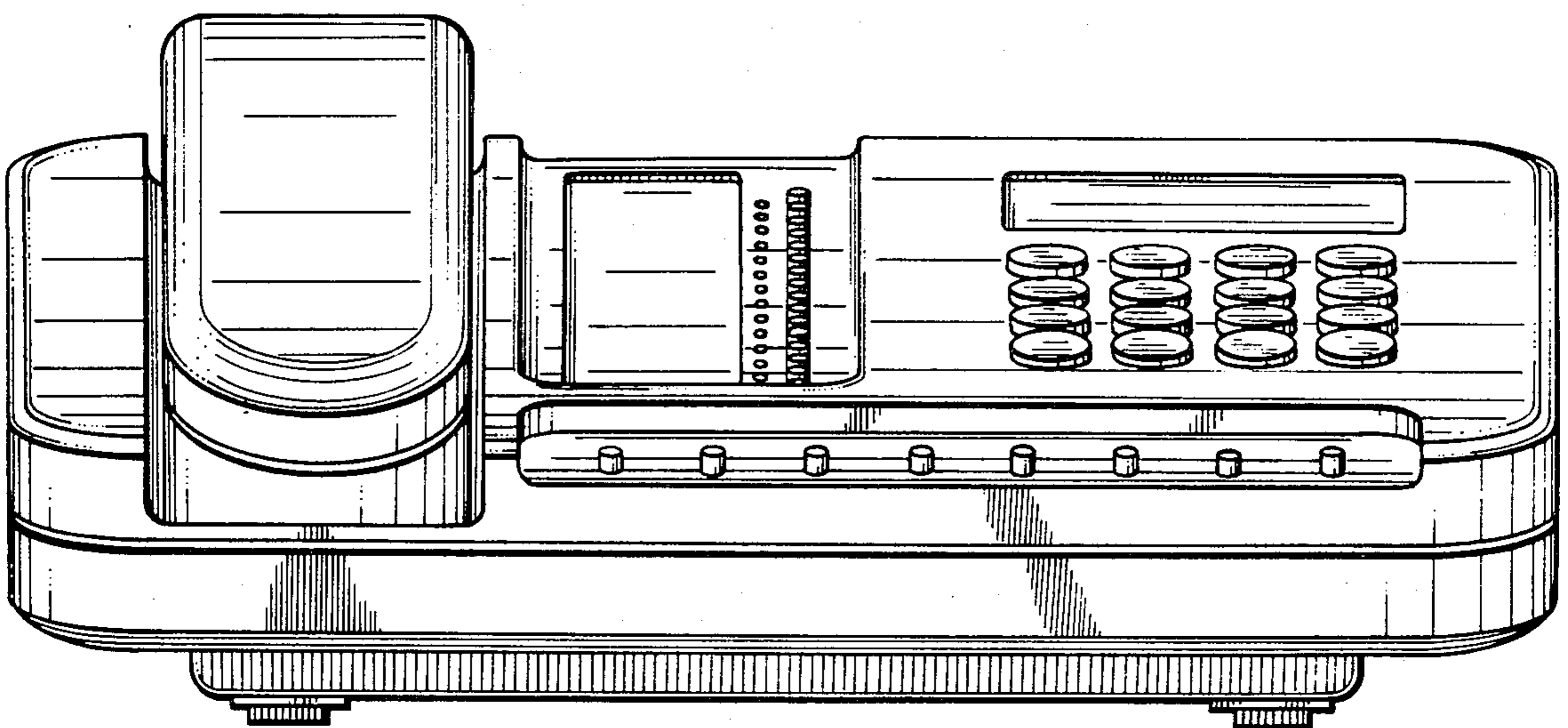


FIG. 3.

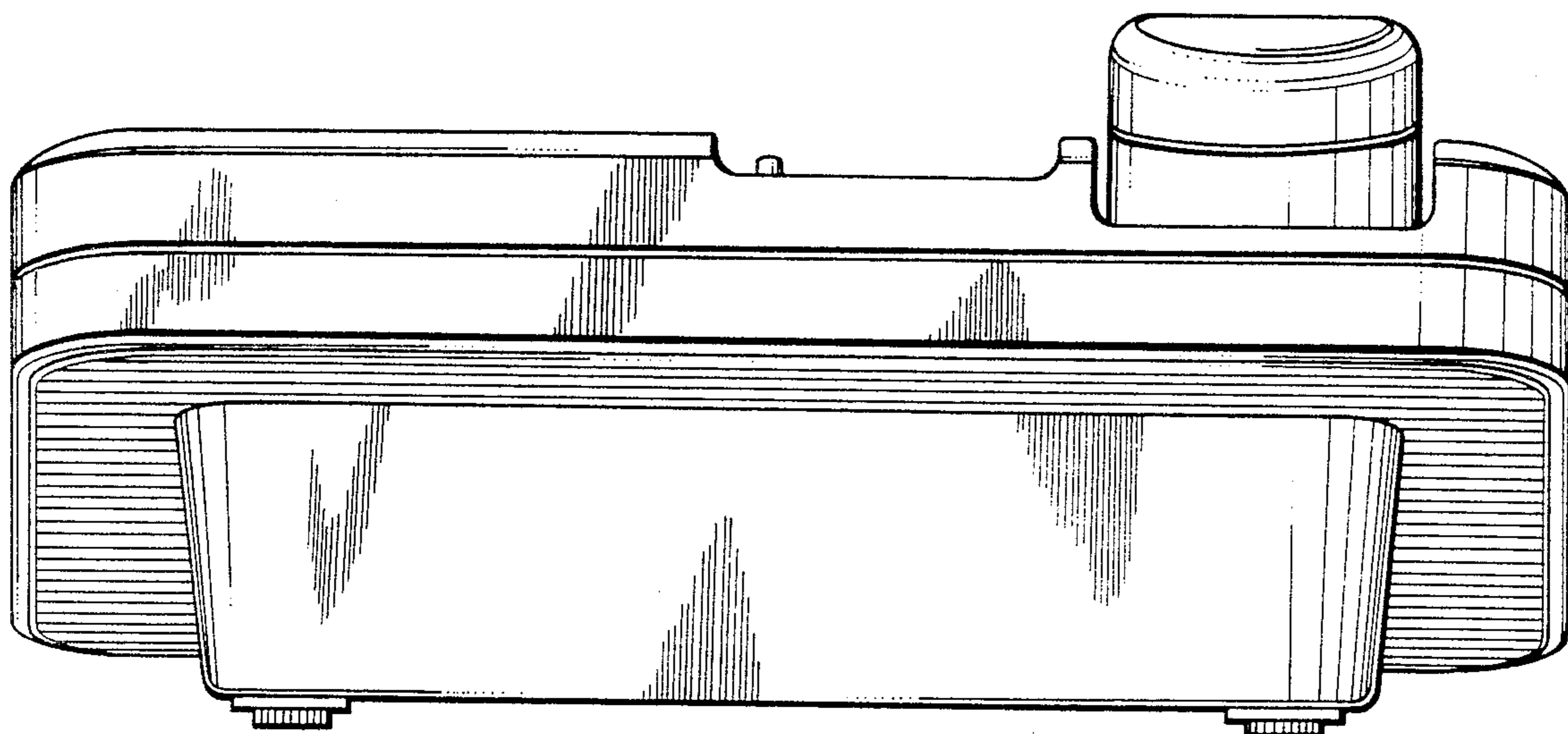


FIG. 4.

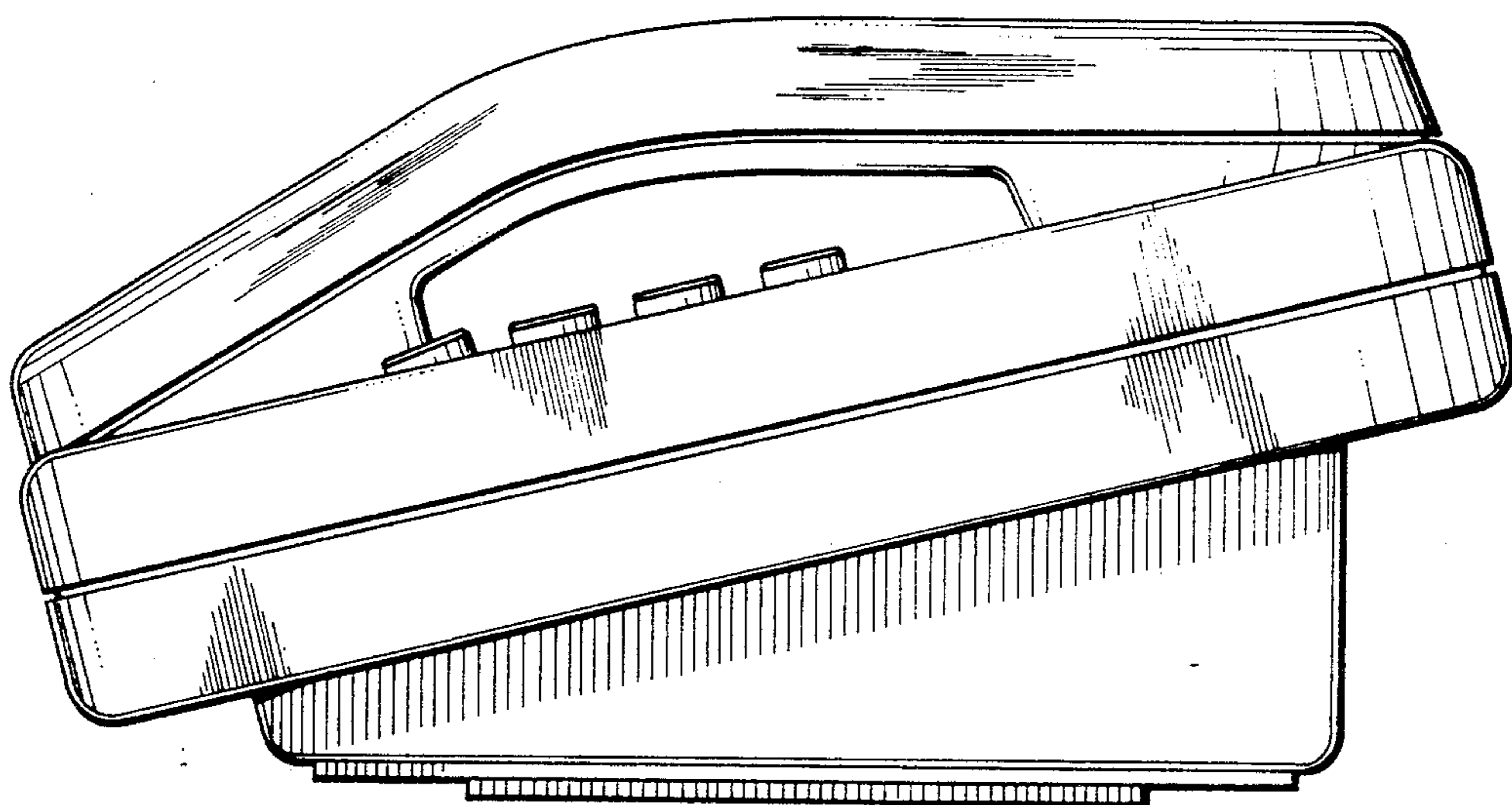


FIG. 5.

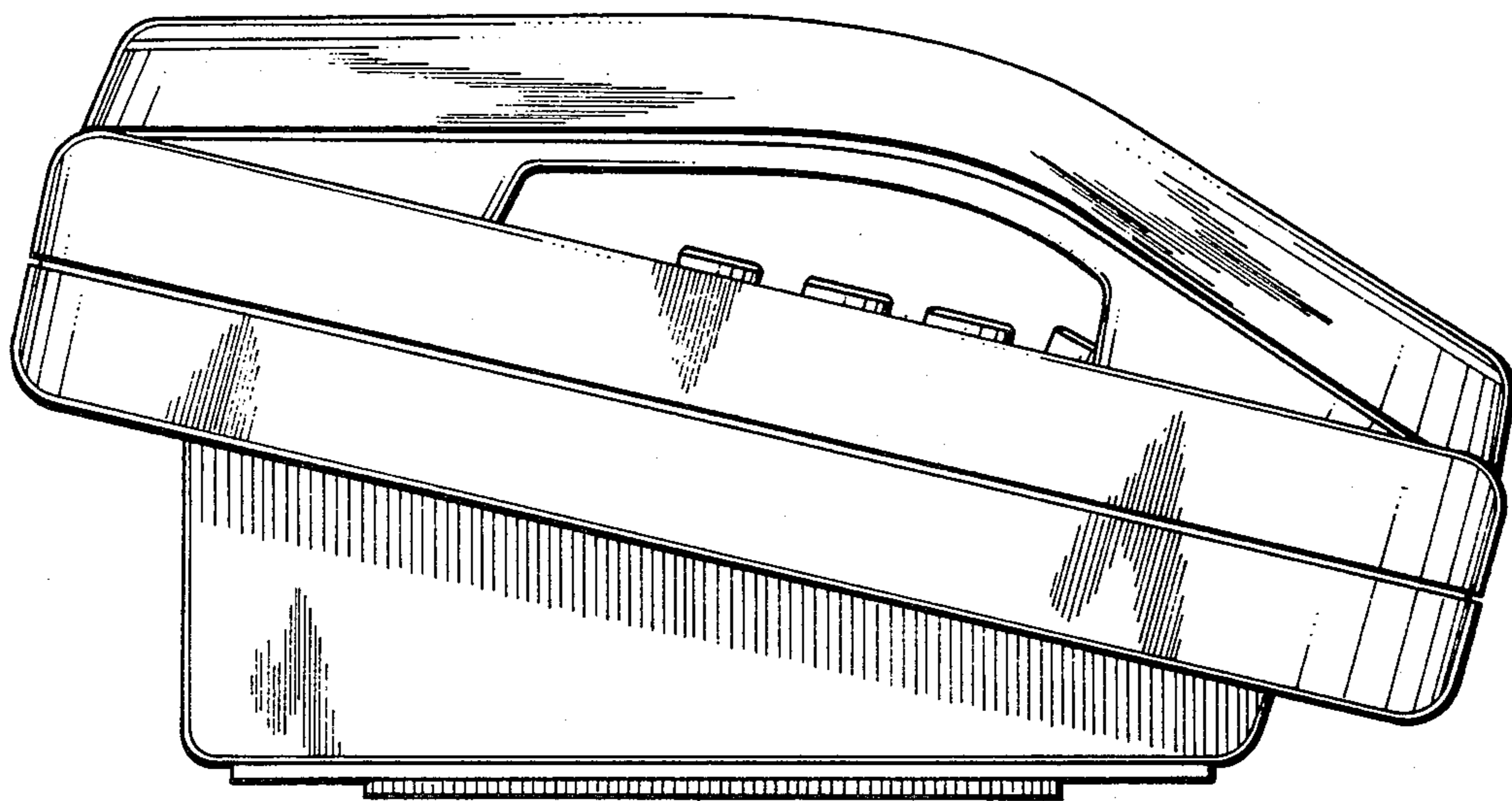


FIG. 6.

