

[54] CENTRAL CASING UNIT FOR ASSOCIATED TELEPHONE SETS OF AN INTERCOMMUNICATION SYSTEM

D. 259,422 6/1981 Taylor ..... D14/95  
D. 263,474 3/1982 Tokiyama ..... D14/68  
D. 266,162 9/1982 Martinez ..... D14/4  
D. 276,998 1/1985 Caven ..... D13/40

[75] Inventor: Francois Vaillant, Paris, France

Primary Examiner—James R. Largen  
Assistant Examiner—Horace B. Fay  
Attorney, Agent, or Firm—Holman & Stern

[73] Assignee: SAT (Societe Anonyme de Telecommunications), Paris, France

[\*\*] Term: 14 Years

[57] CLAIM

[21] Appl. No.: 517,416

The ornamental design for a central casing unit for associated telephone sets of an intercommunication system, as shown and described.

[22] Filed: Jul. 26, 1983

[52] U.S. Cl. .... D14/52; D14/60

[58] Field of Search ..... D14/52, 4, 60, 92, 95,  
D14/68, 94, 59; D13/40; 179/179, 178, 37;  
D9/429, 420, 423

DESCRIPTION

[56] References Cited

U.S. PATENT DOCUMENTS

D. 207,847 6/1967 Darling, Jr. .... D14/4  
D. 231,468 4/1974 Krist ..... D14/94  
D. 239,838 5/1976 Crimmins ..... D14/52  
D. 247,708 4/1978 Furst et al. .... D14/68  
D. 255,118 5/1980 Van Horn et al. .... D14/95

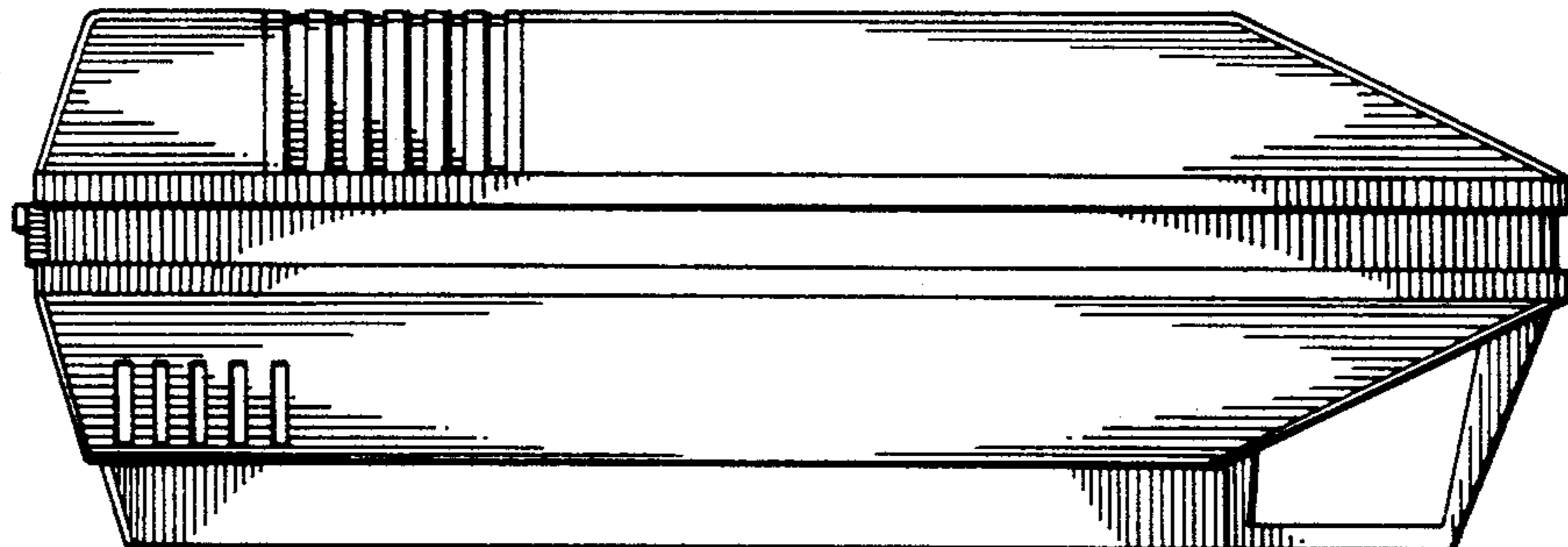
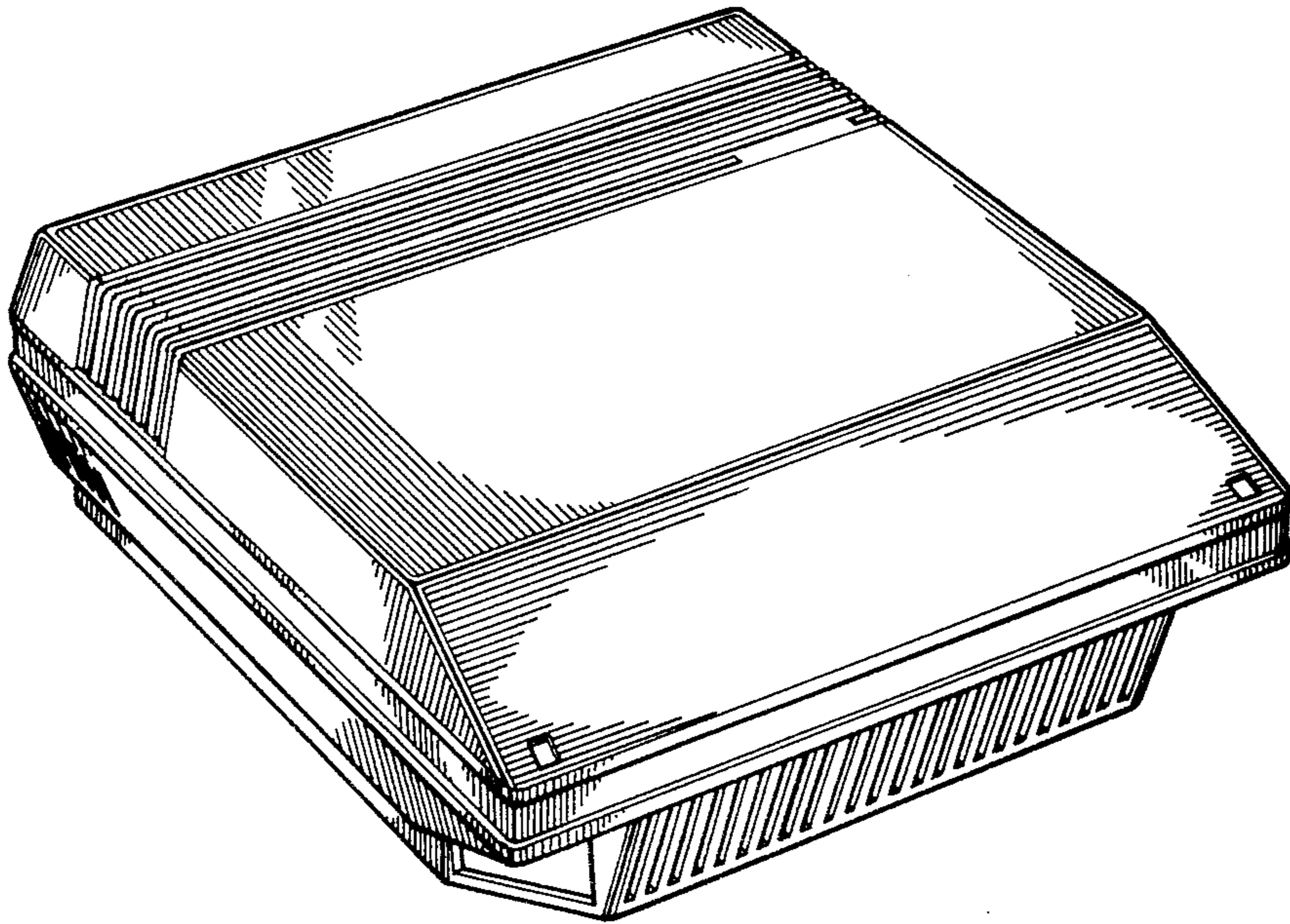
FIG. 1 is a left side, front and top perspective view from above of a central casing unit for associated telephone sets of an intercommunication system showing my new design;

FIG. 2 is a plan view of the top thereof, the bottom being plain and unadorned;

FIG. 3 is a front end elevational view thereof;

FIG. 4 is a rear end elevational view thereof; and

FIG. 5 is a left side elevational view, the side opposite being a mirror image thereof.



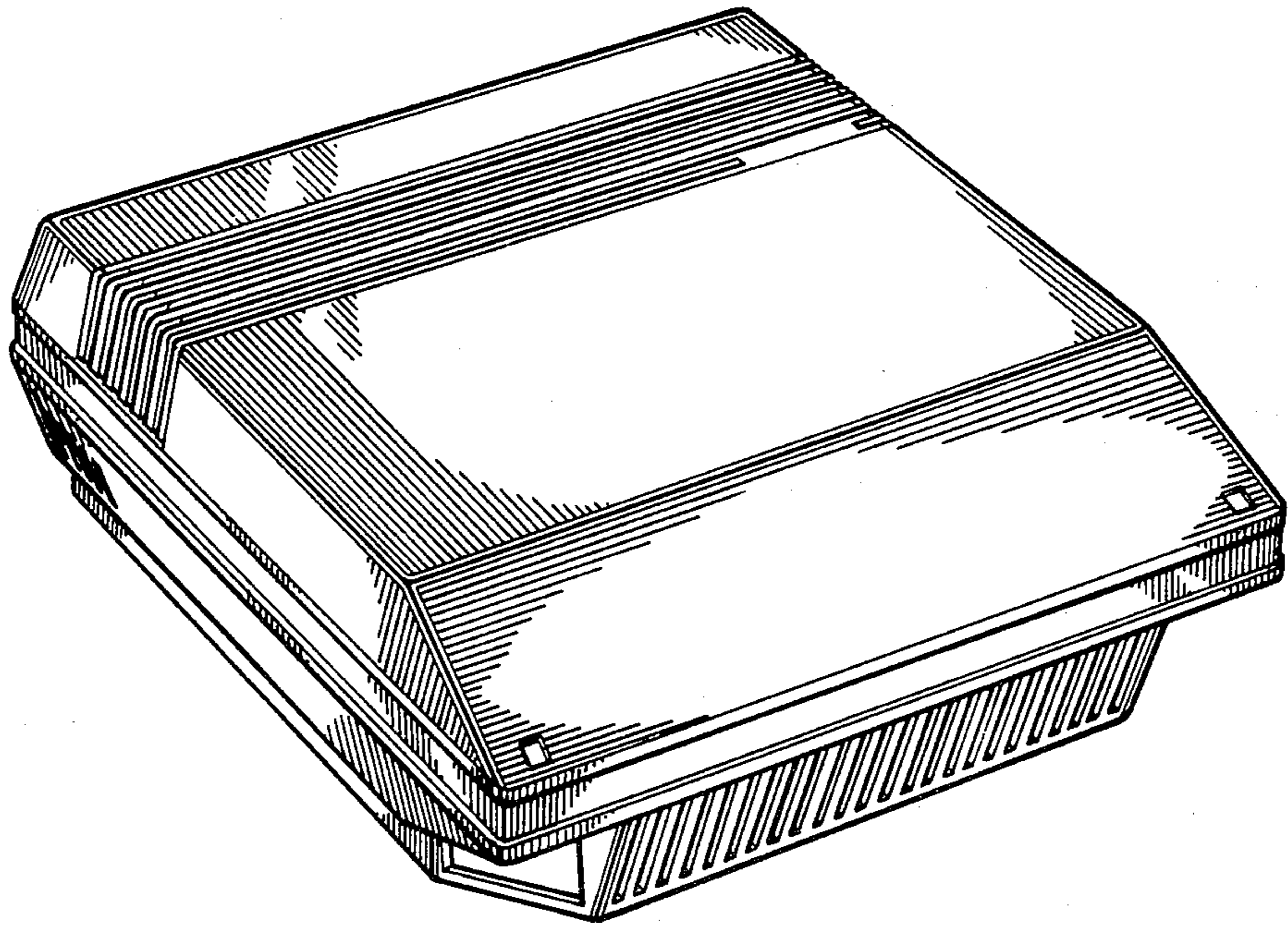


FIG. 1

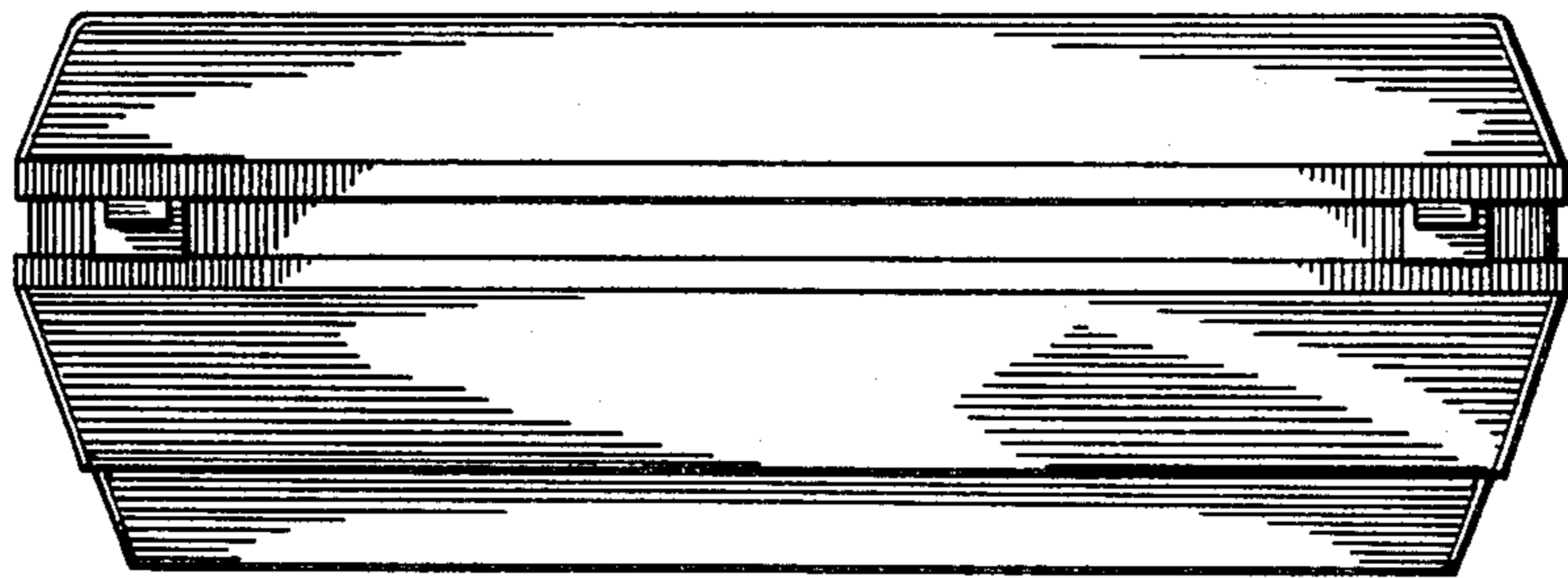


FIG. 4

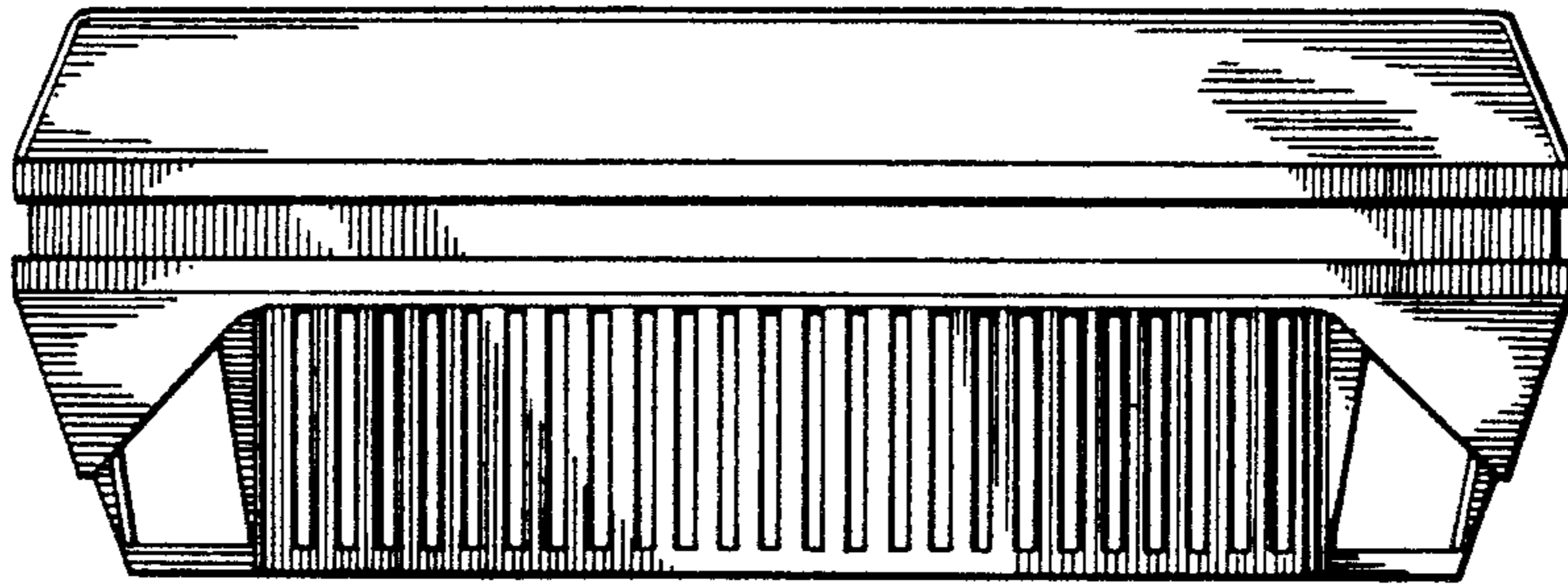


FIG. 3

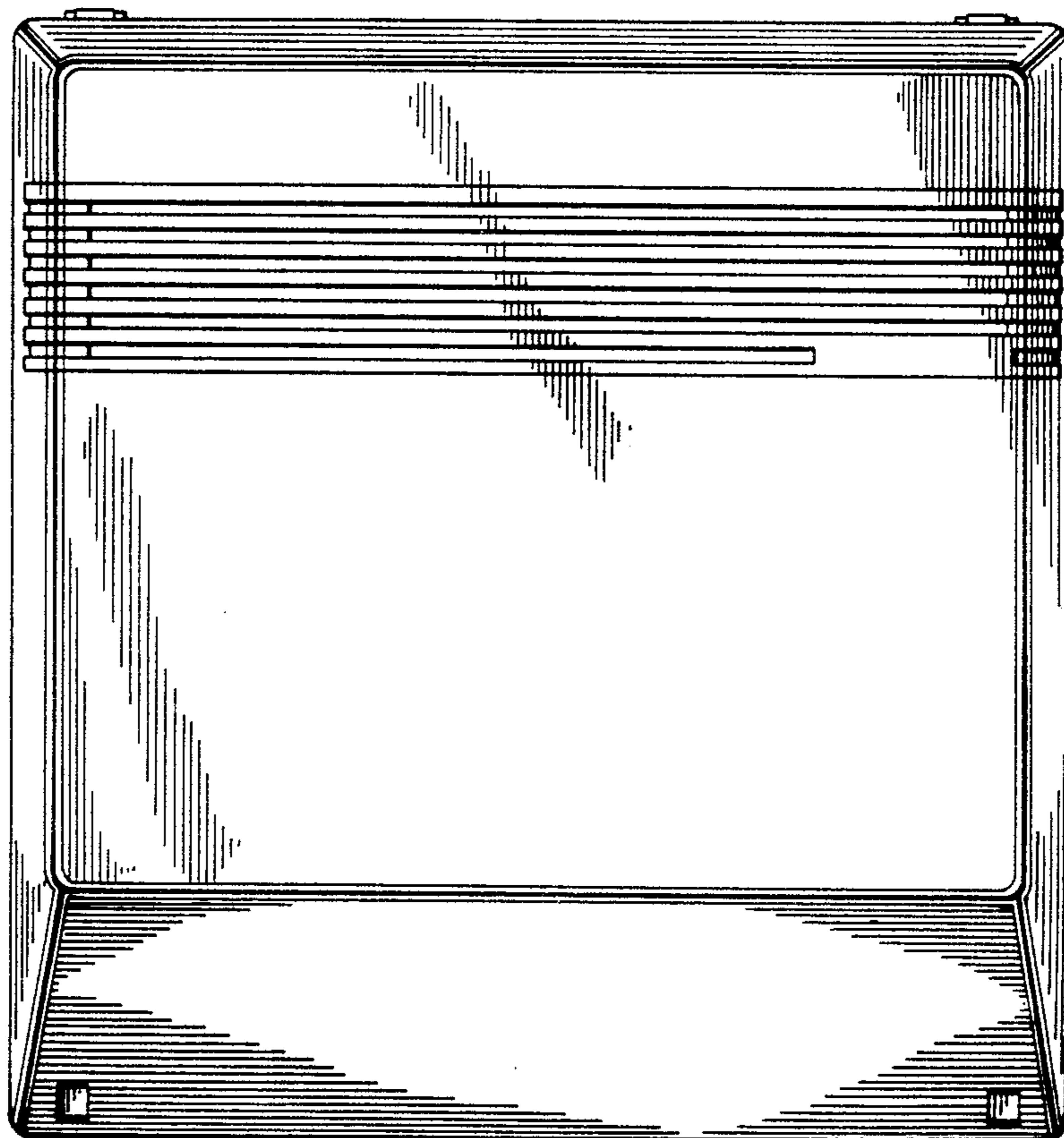


FIG. 2

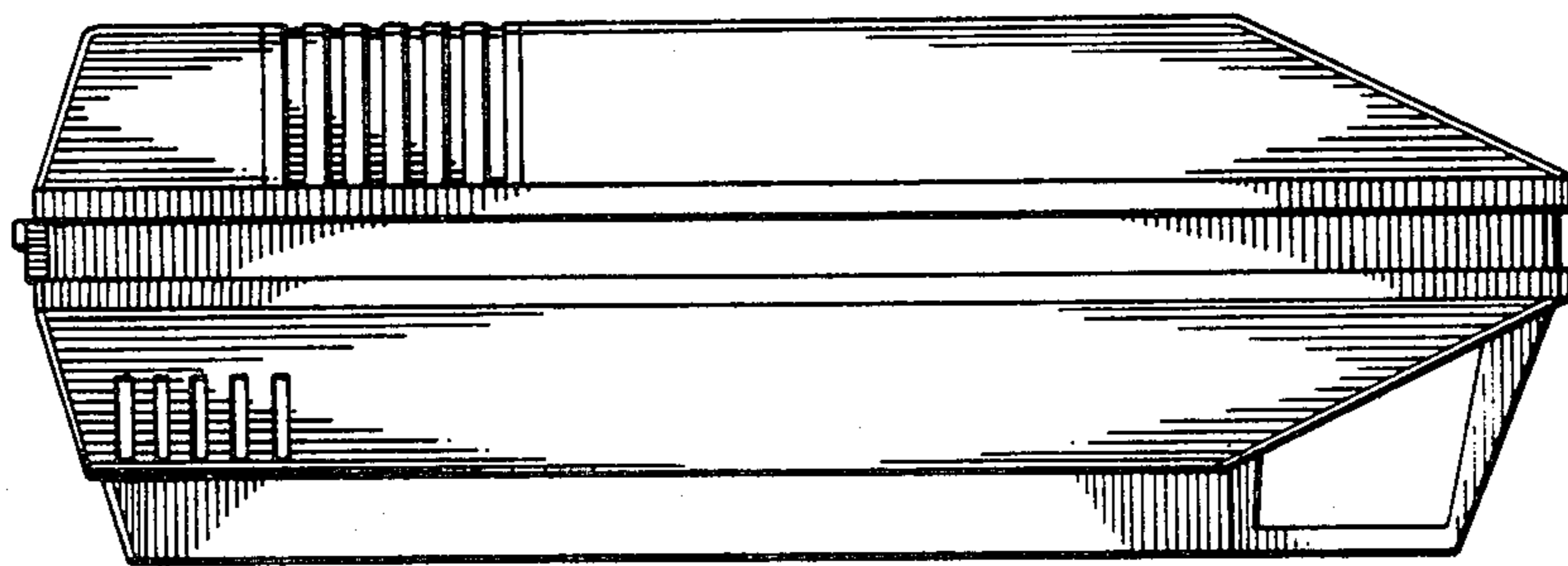


FIG. 5