

[54] FUSE IDENTIFICATION CAP

[76] Inventor: **Marijan Djurinec**, 9 Division St.,
Acton, Ontario, Canada, L7J 1C4

[**] Term: **14 Years**

[21] Appl. No.: **570,995**

[22] Filed: **Jan. 16, 1984**

[52] U.S. Cl. **D13/35**

[58] **Field of Search** D13/3, 11-13,
D13/24, 30, 32, 35-38, 40, 99; D8/350, 353,
399; 174/58, 63; 220/3.2-3.6; 361/230,
331-332, 335, 346, 390; 200/293-294, 296,
302.2-302.3; 40/2 R, 330; 337/248

[56] **References Cited**

U.S. PATENT DOCUMENTS

D. 243,406 2/1977 Mooney et al. D13/13

D. 243,407 2/1977 Mooney et al. D13/24
1,596,234 8/1926 Bogle 337/248
3,301,979 1/1967 Fister 337/248
3,529,270 9/1970 Kozacka 337/248
4,453,059 6/1984 Fukushima 200/296

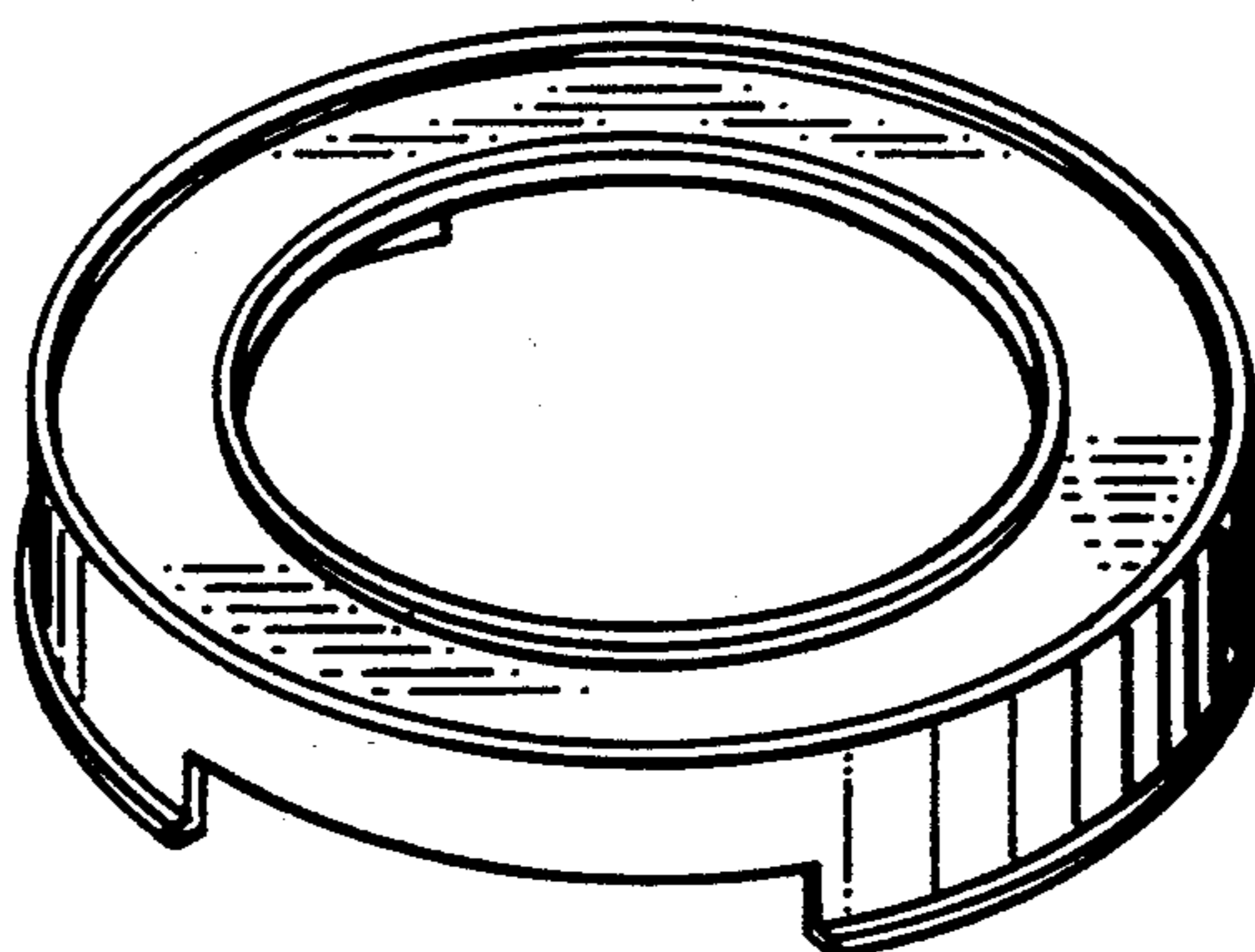
Primary Examiner—Catherine E. Kemper
Assistant Examiner—Ruth Takemoto
Attorney, Agent, or Firm—Brant Latham

[57] **CLAIM**

The ornamental design of a fuse identification cap, substantially shown and described.

DESCRIPTION

FIG. 1 is a top perspective view of a fuse identification cap showing my new design;
FIG. 2 is a side elevational view thereof;
FIG. 3 is a bottom perspective view thereof;
FIG. 4 is a top elevation view thereof; and
FIG. 5 is a bottom elevation view thereof.



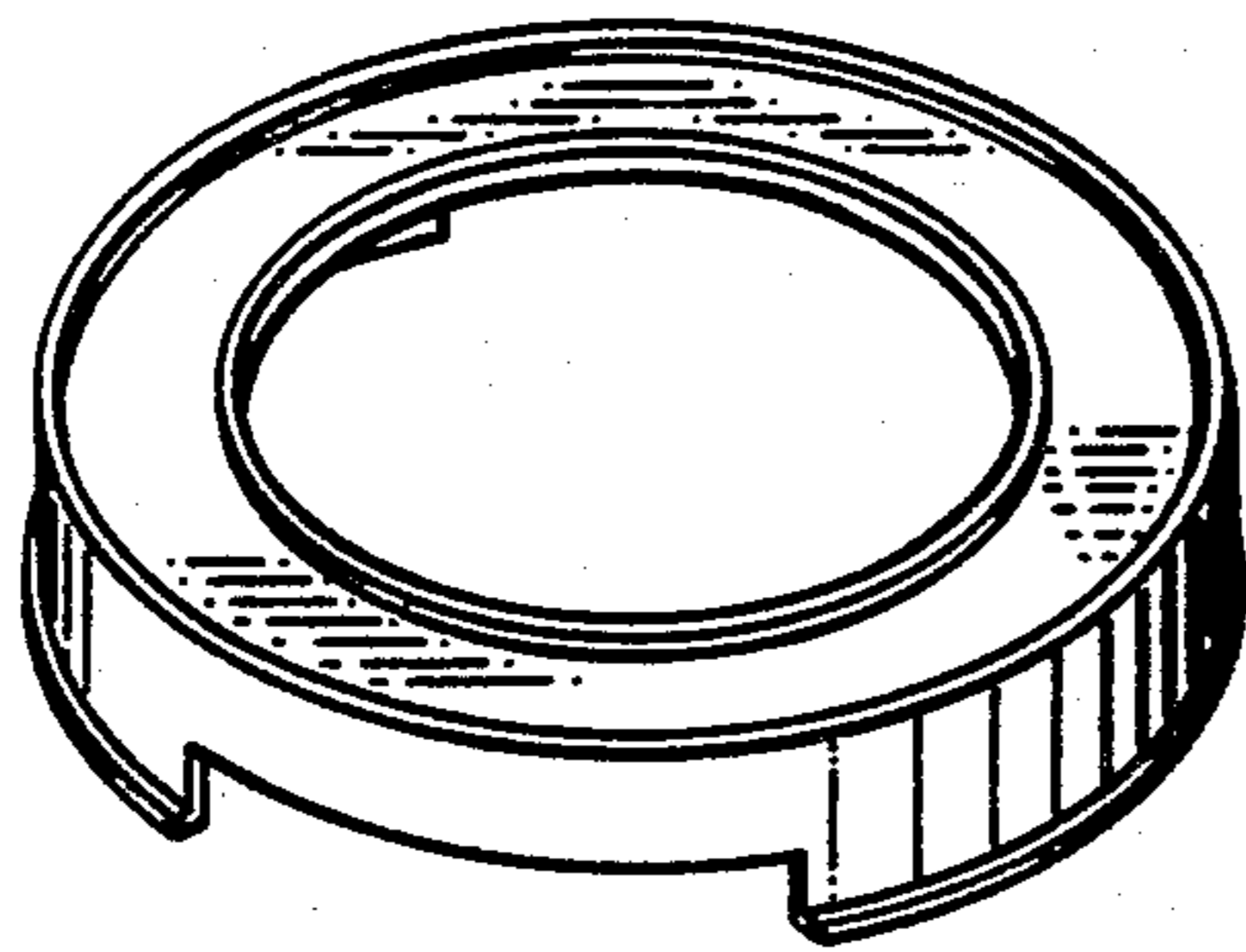


FIG. 1.

FIG. 2.

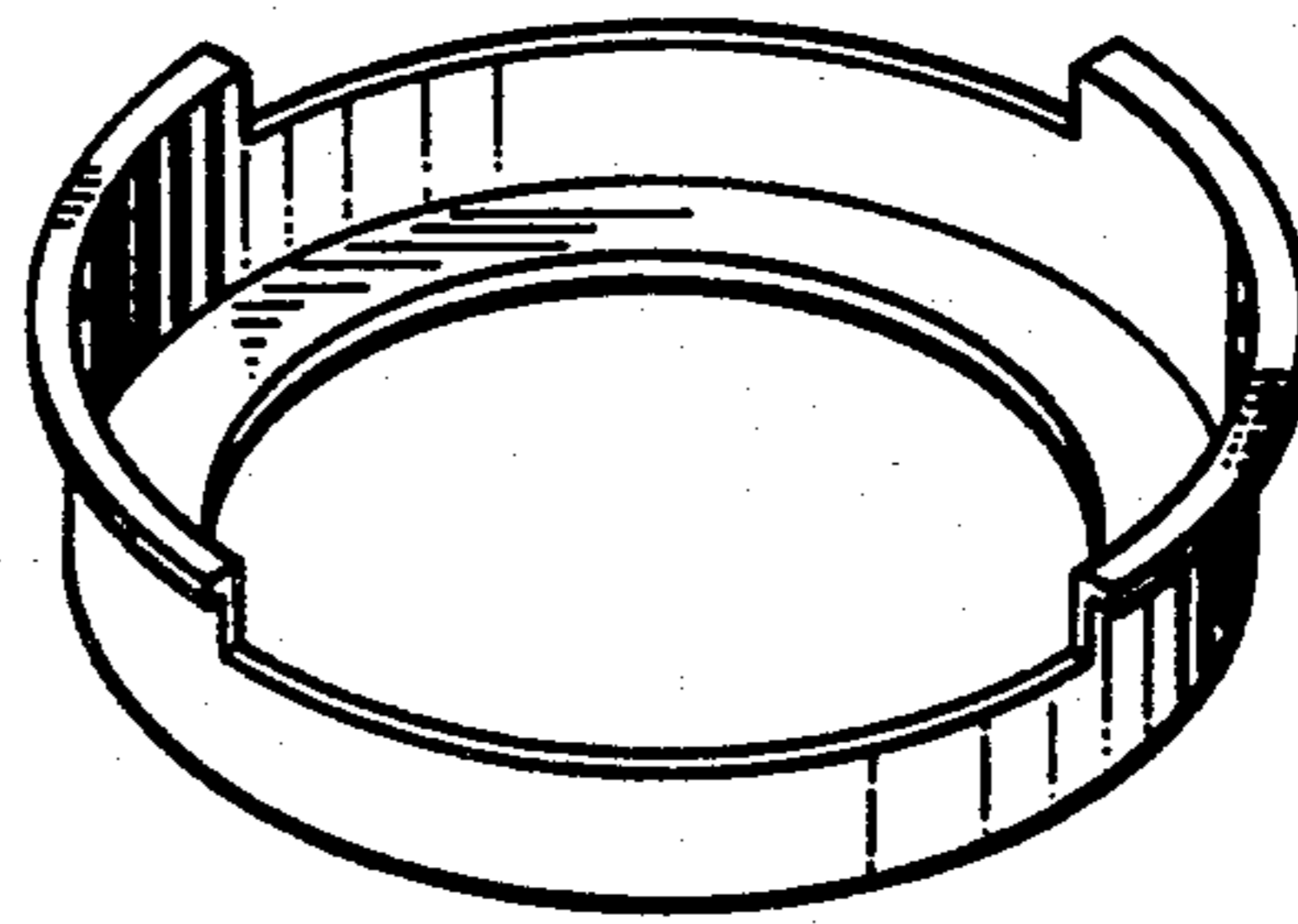


FIG. 3.

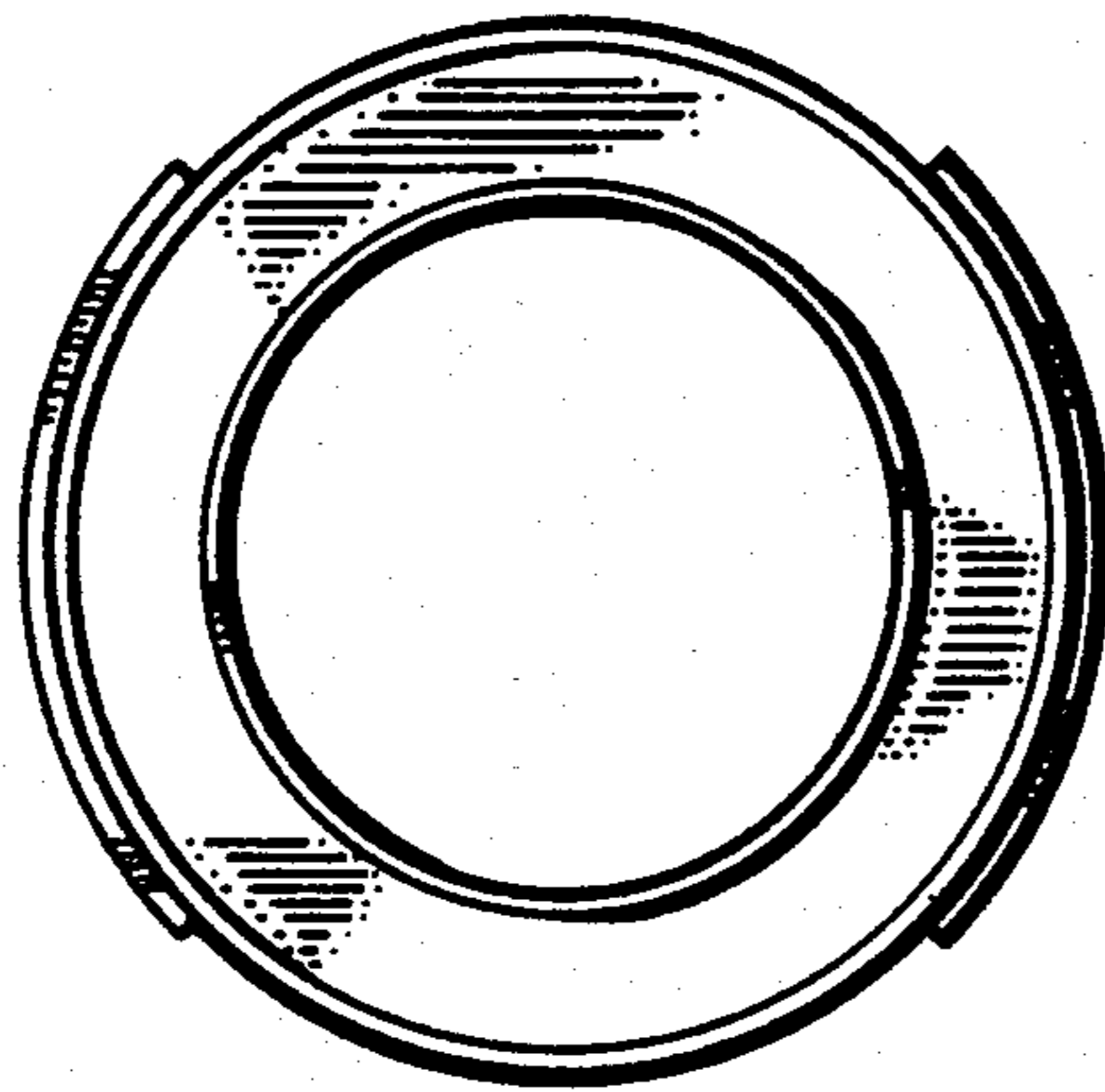


FIG. 4.

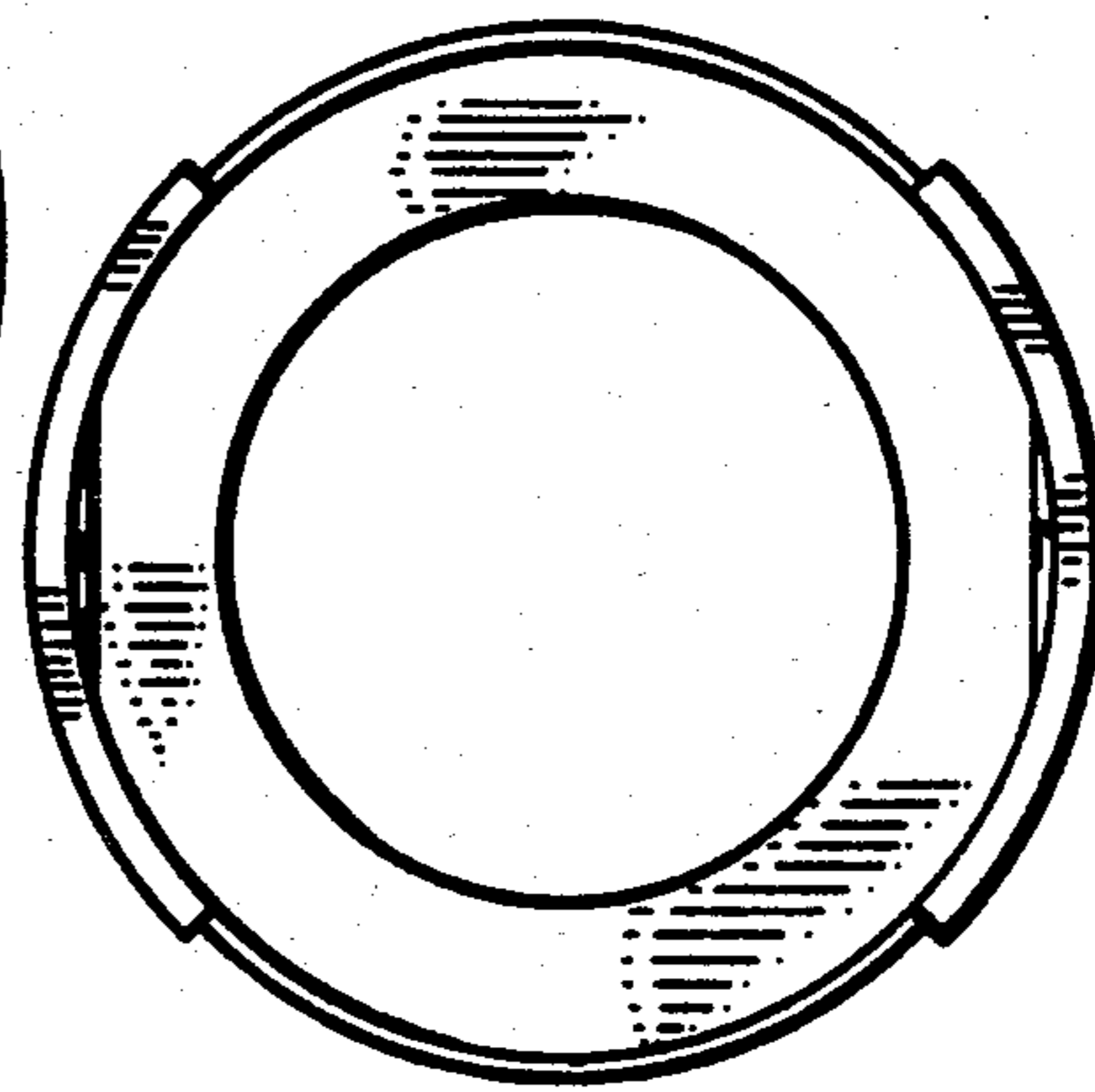


FIG. 5.