

[54] **ELECTRIC OUTLET BOX**

[75] Inventor: **Brian J. Maloney**, St. Charles, Ill.

[73] Assignee: **International Jensen Incorporated**, Schiller Park, Ill.

[**] Term: **14 Years**

[21] Appl. No.: **598,835**

[22] Filed: **Apr. 10, 1984**

[52] U.S. Cl. **D13/30; D13/28**

[58] Field of Search **D13/24, 30, 31; D8/353; D13/27, 28, 29; 339/21 R, 22 R, 147 R, 164 R, 122, 176 M, 14 R, 119 C, 147 C, 157 C; 337/186, 188, 189, 198, 206**

[56] **References Cited**

U.S. PATENT DOCUMENTS

D. 202,783	11/1965	Kahn	D13/30
D. 216,887	3/1970	Kahn	D13/30
D. 279,285	6/1985	Schwartz	D13/30
D. 279,979	8/1985	Kovacik et al.	D13/30
2,240,232	6/1976	Bunnell	D13/30 X
2,414,575	1/1947	Windsor	339/14 R

OTHER PUBLICATIONS

“Isobar” Catalog #95-571, 12/13/83 Tripp-Lite Isobar AC Line Filter.

Primary Examiner—Susan J. Lucas

Assistant Examiner—C. E. Heflin

Attorney, Agent, or Firm—William Brinks Olds Hofer Gilson & Lione Ltd.

[57] **CLAIM**

The ornamental design for an electric outlet box, substantially as shown.

DESCRIPTION

FIG. 1 is a perspective view of an electric outlet box showing my new design.

FIG. 2 is a top view thereof.

FIG. 3 is a left side view thereof.

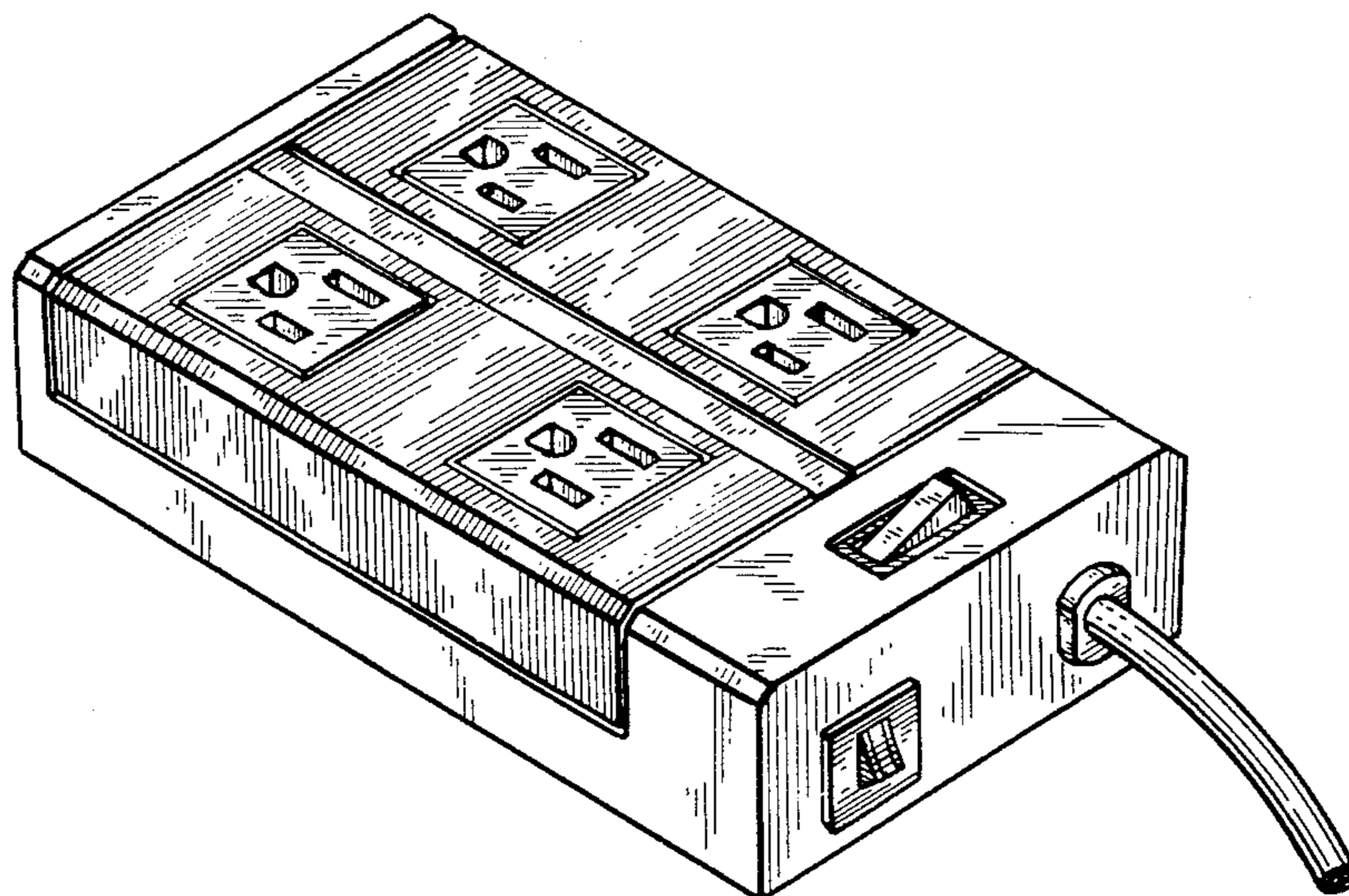
FIG. 4 is a front end view thereof.

FIG. 5 is a right side view thereof.

FIG. 6 is a rear end view thereof.

FIG. 7 is a bottom view thereof.

The electric cord is shown broken away in FIGS. 1-7 to depict indeterminate length.



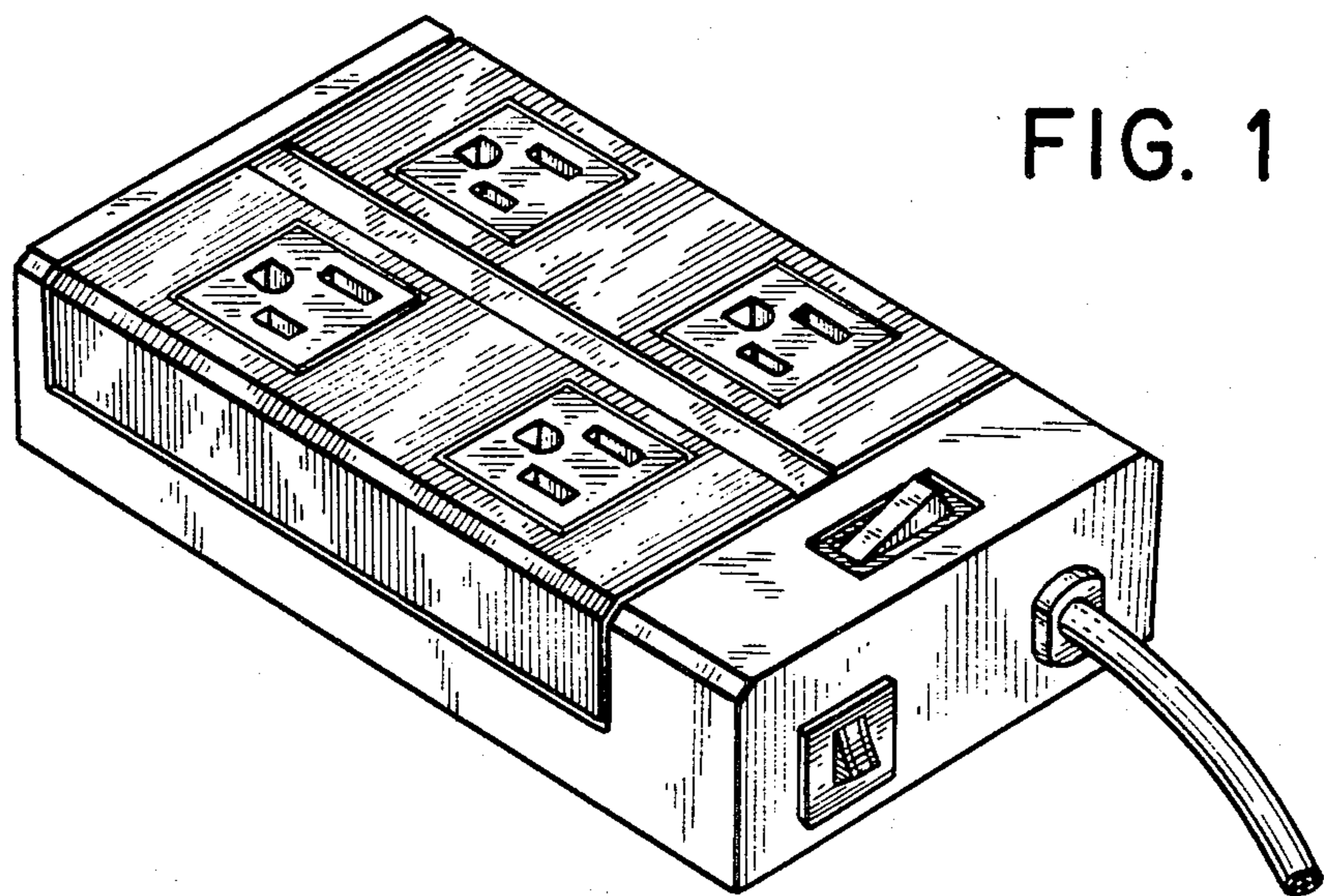


FIG. 1

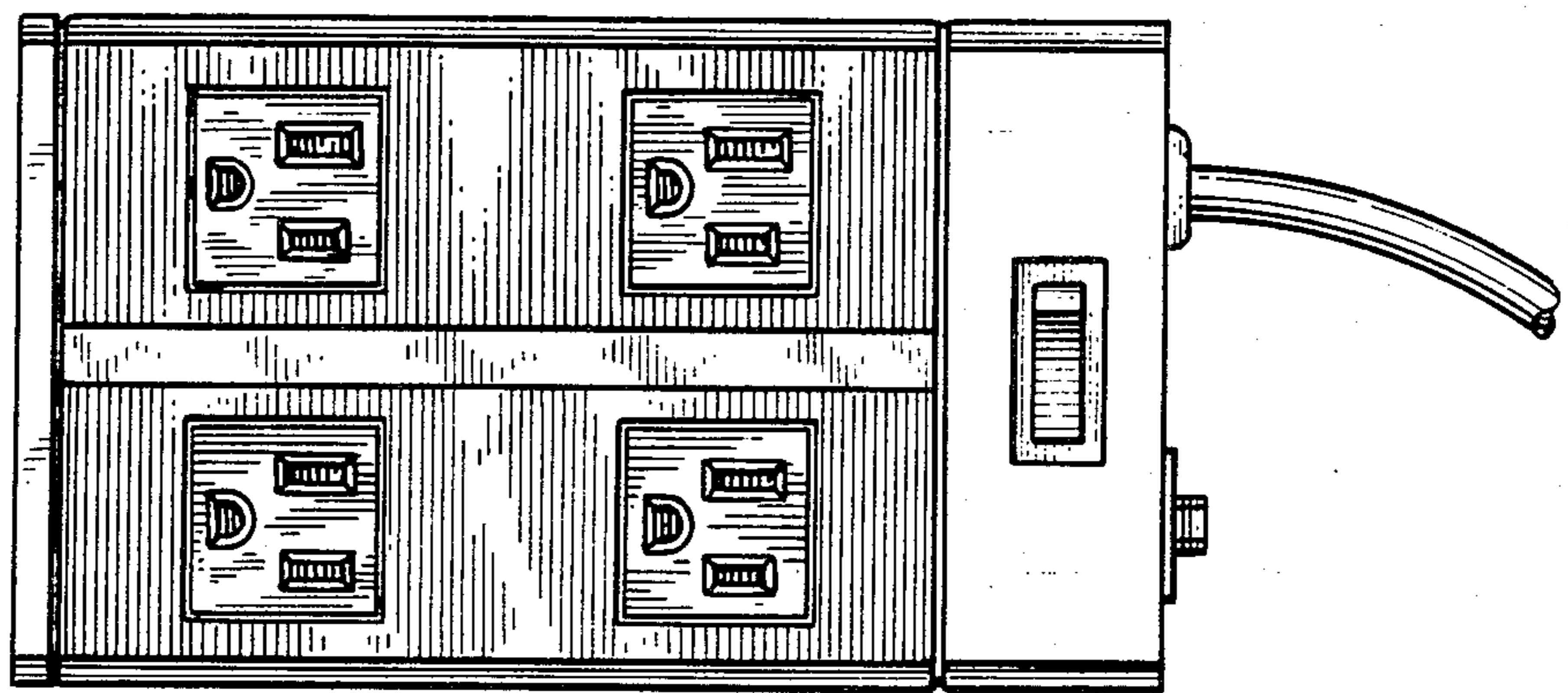


FIG. 2

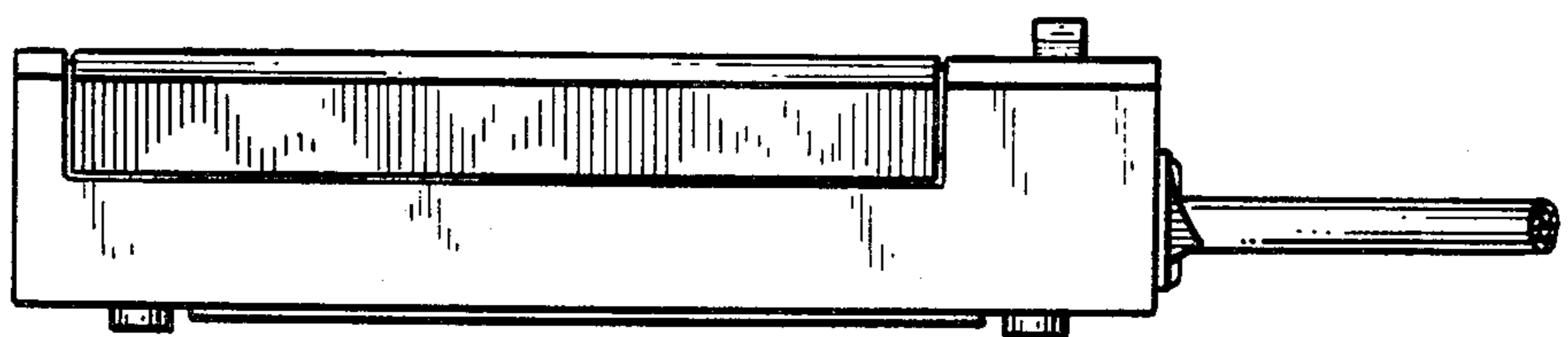


FIG. 3

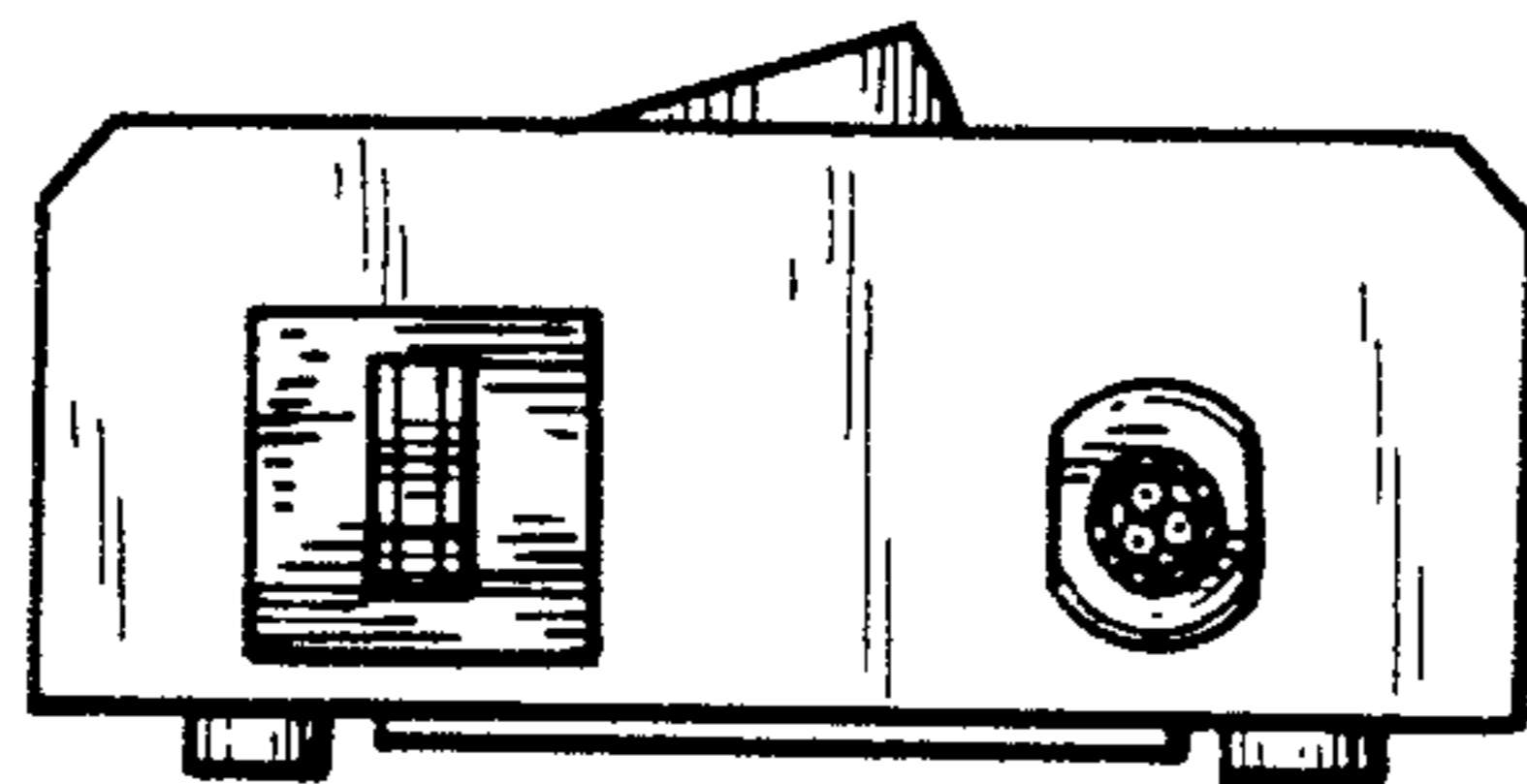


FIG. 4

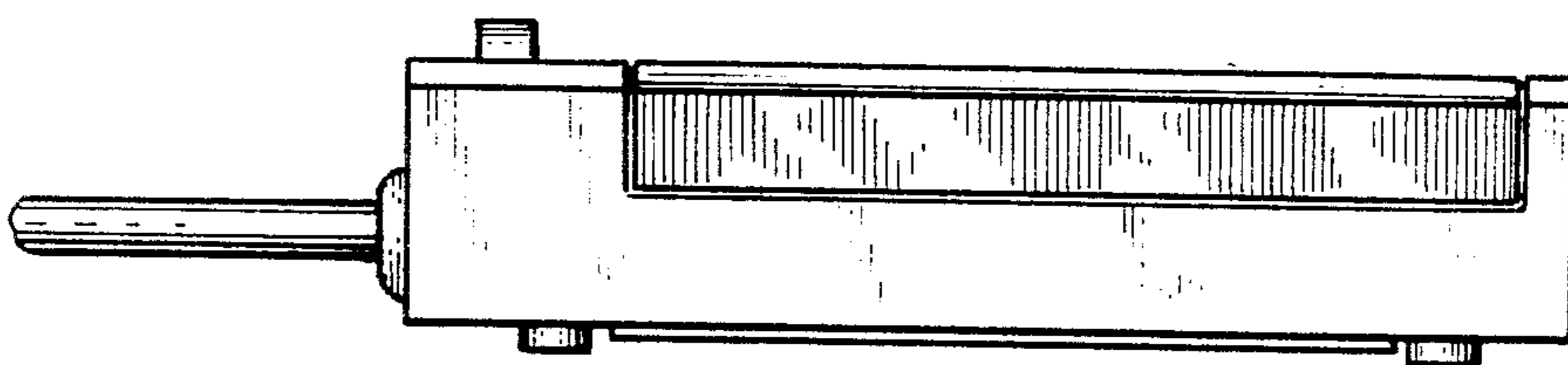


FIG. 5

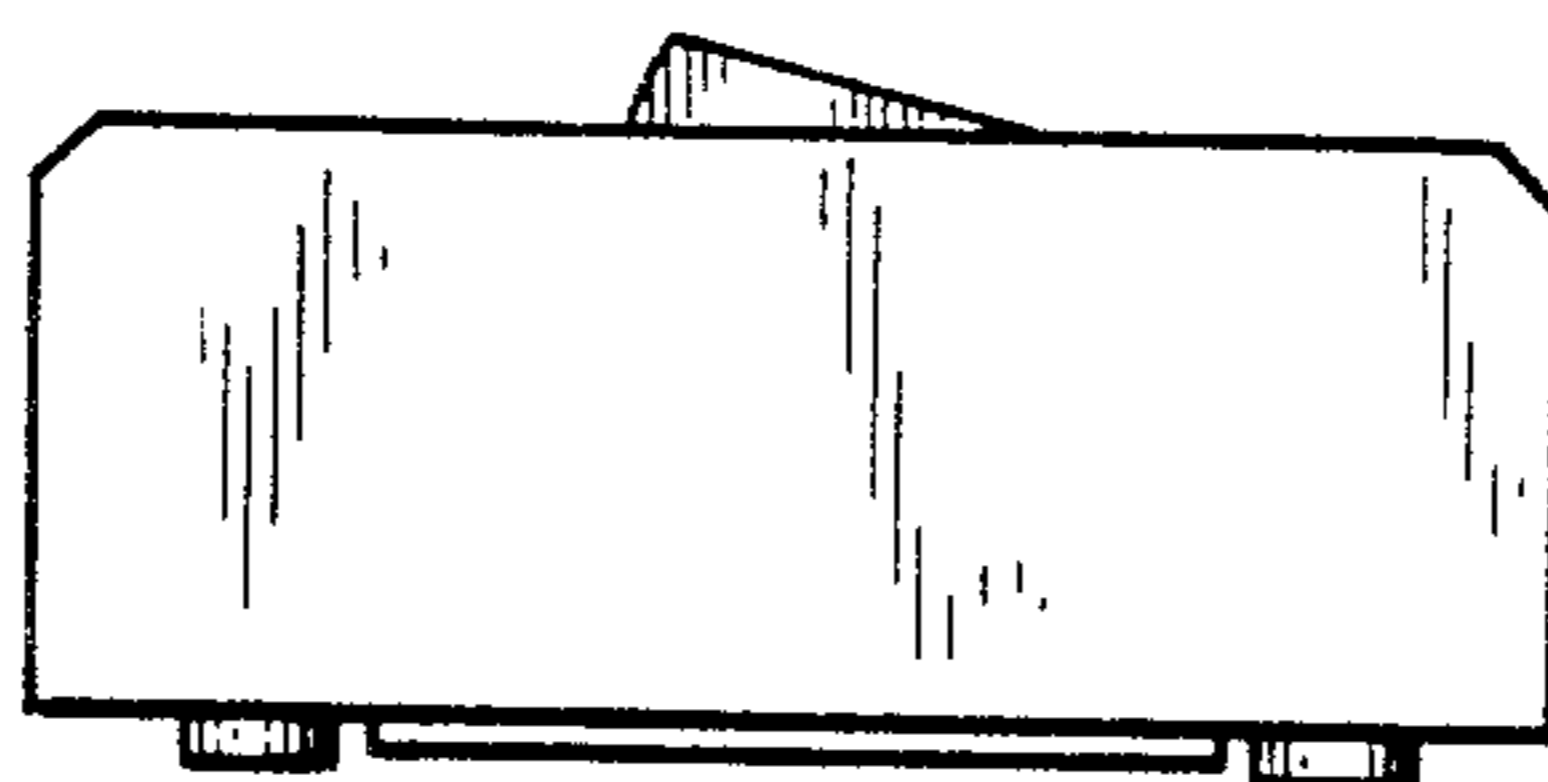


FIG. 6

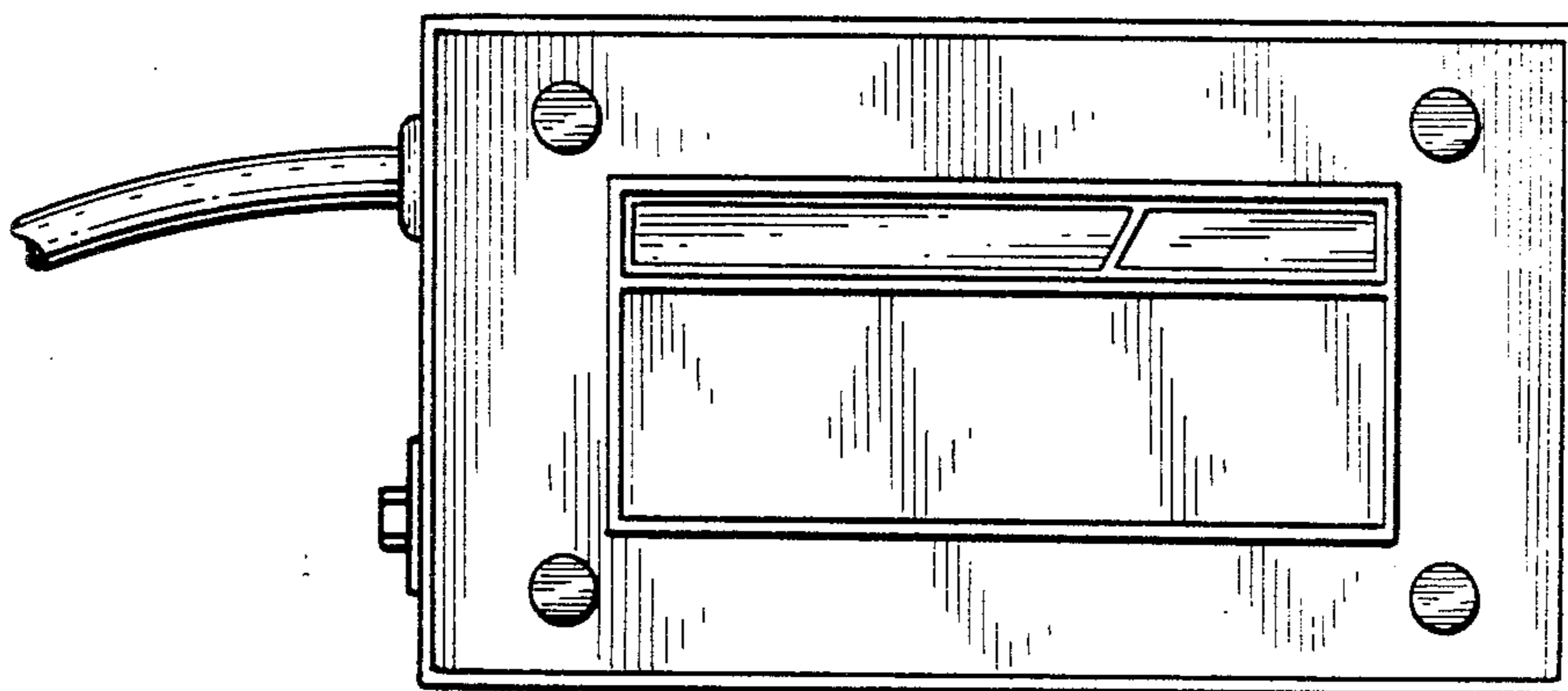


FIG. 7