

United States Patent [19]

Moore

[11] Patent Number: **Des. 284,851**

[45] Date of Patent: **** Jul. 29, 1986**

[54] **HEAT SINK OR SIMILAR ARTICLE**

[75] Inventor: **Marvin F. Moore, Carrollton, Tex.**

[73] Assignee: **Thermalloy Incorporated, Dallas, Tex.**

[**] Term: **14 Years**

[21] Appl. No.: **626,660**

[22] Filed: **Jul. 2, 1984**

[52] U.S. Cl. **D13/23**

[58] Field of Search **D13/23; 174/16 HS; 357/81; 165/80.1, 80.2, 80.3, 185**

[56] **References Cited**

U.S. PATENT DOCUMENTS

D. 260,388 8/1981 Kennington D13/23

D. 262,961 2/1981 McCarthy D13/23
4,054,901 10/1977 Edwards et al. 357/81

Primary Examiner—Susan J. Lucas

Attorney, Agent, or Firm—Kanz, Scherback & Timmons

[57] **CLAIM**

The ornamental design for heat sink or similar article, as shown.

DESCRIPTION

FIG. 1 is a perspective view of a heat sink or similar article showing my new design;

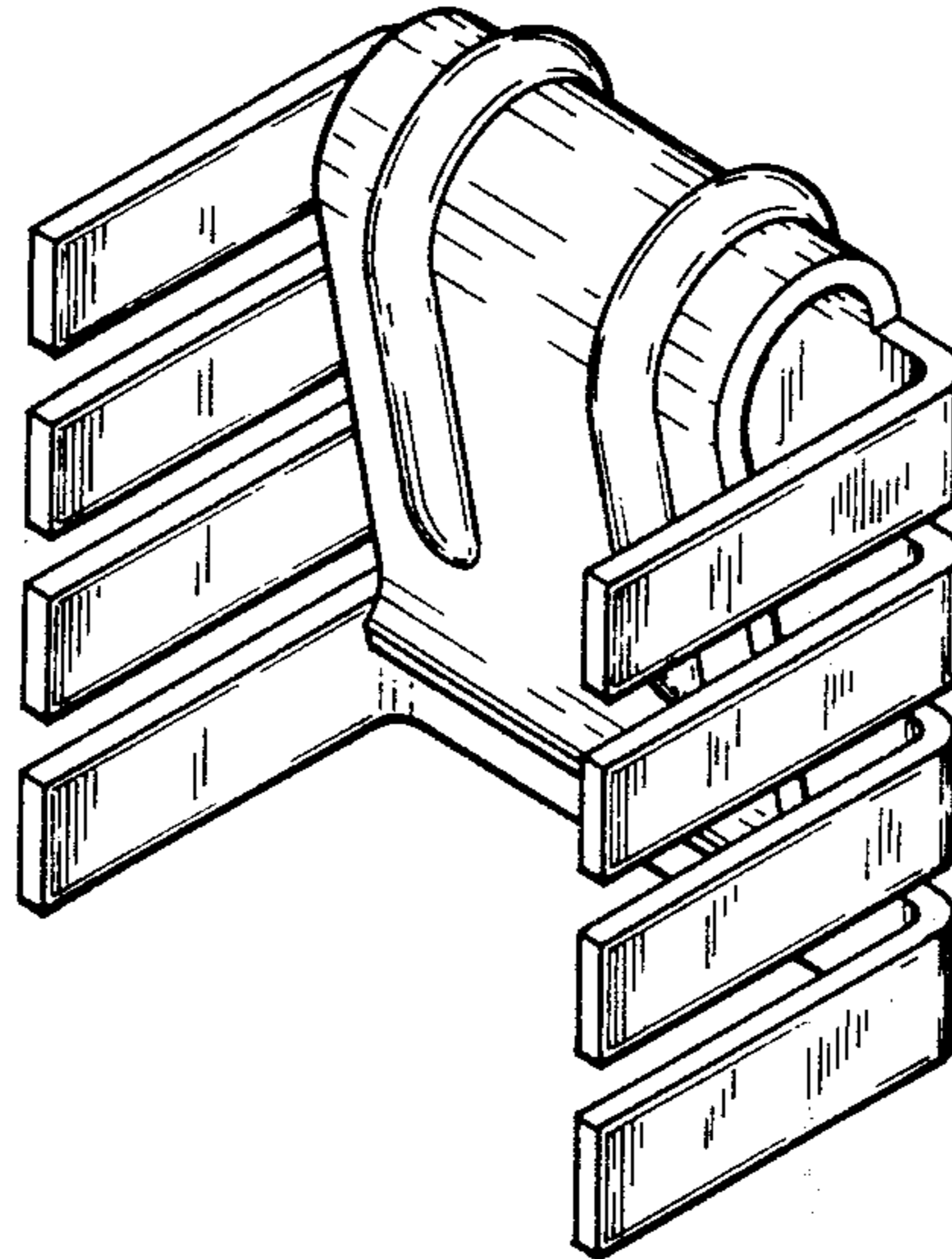
FIG. 2 is a top plan view thereof;

FIG. 3 is a bottom plan view thereof;

FIG. 4 is a front elevational view thereof;

FIG. 5 is a sectional view taken generally along sectional lines 5—5 of FIG. 4; and

FIG. 6 is a back elevational view thereof.



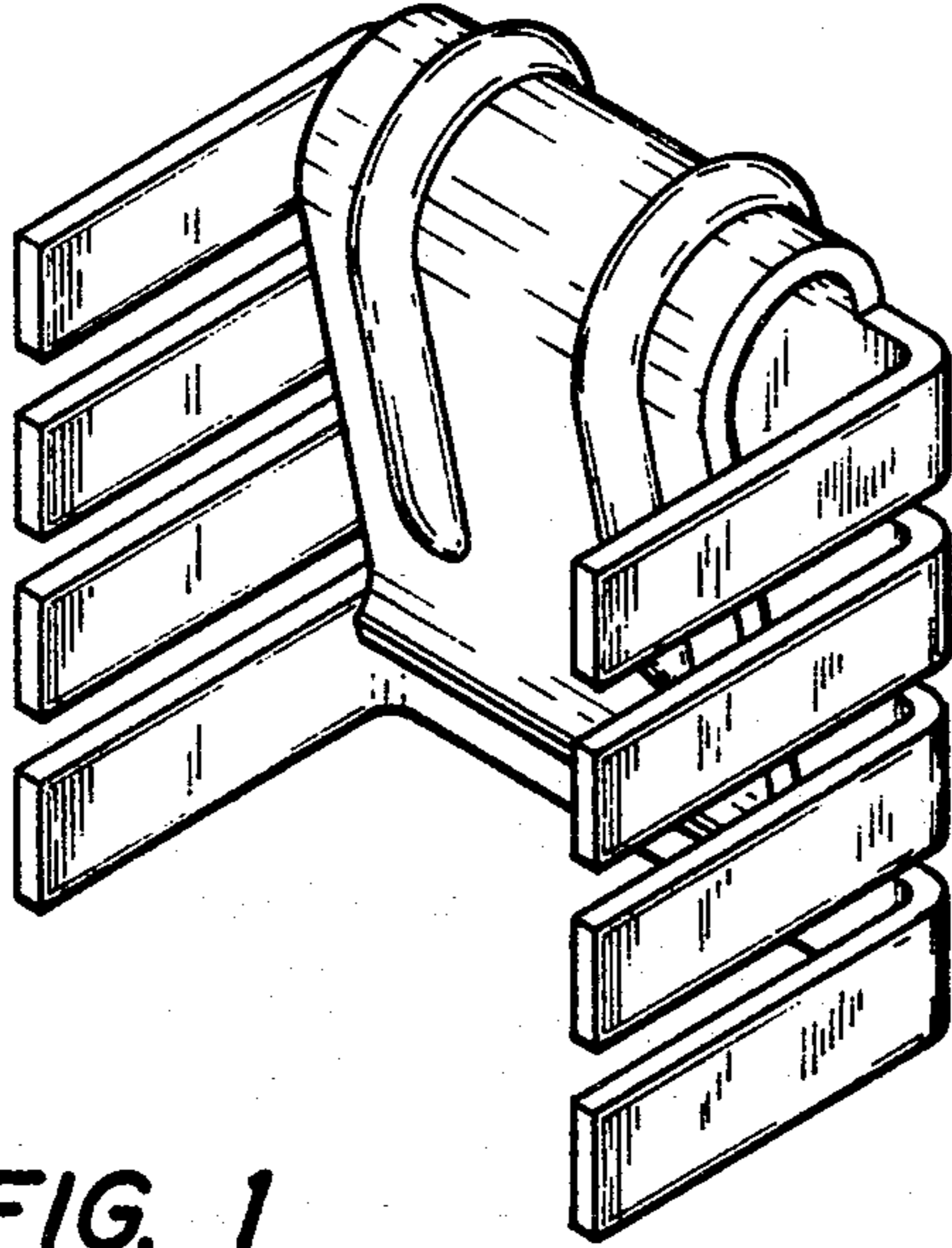


FIG. 1

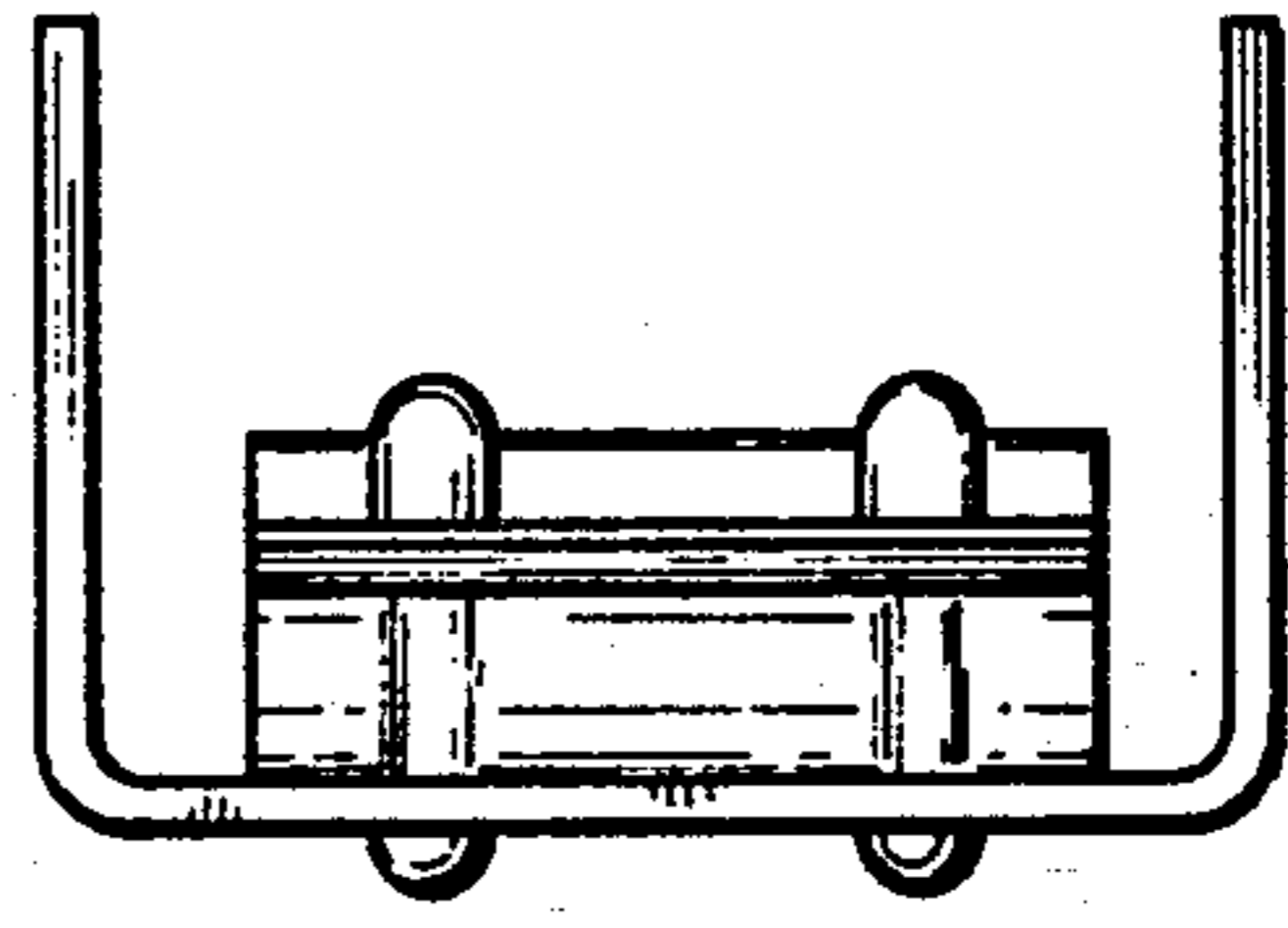


FIG. 3

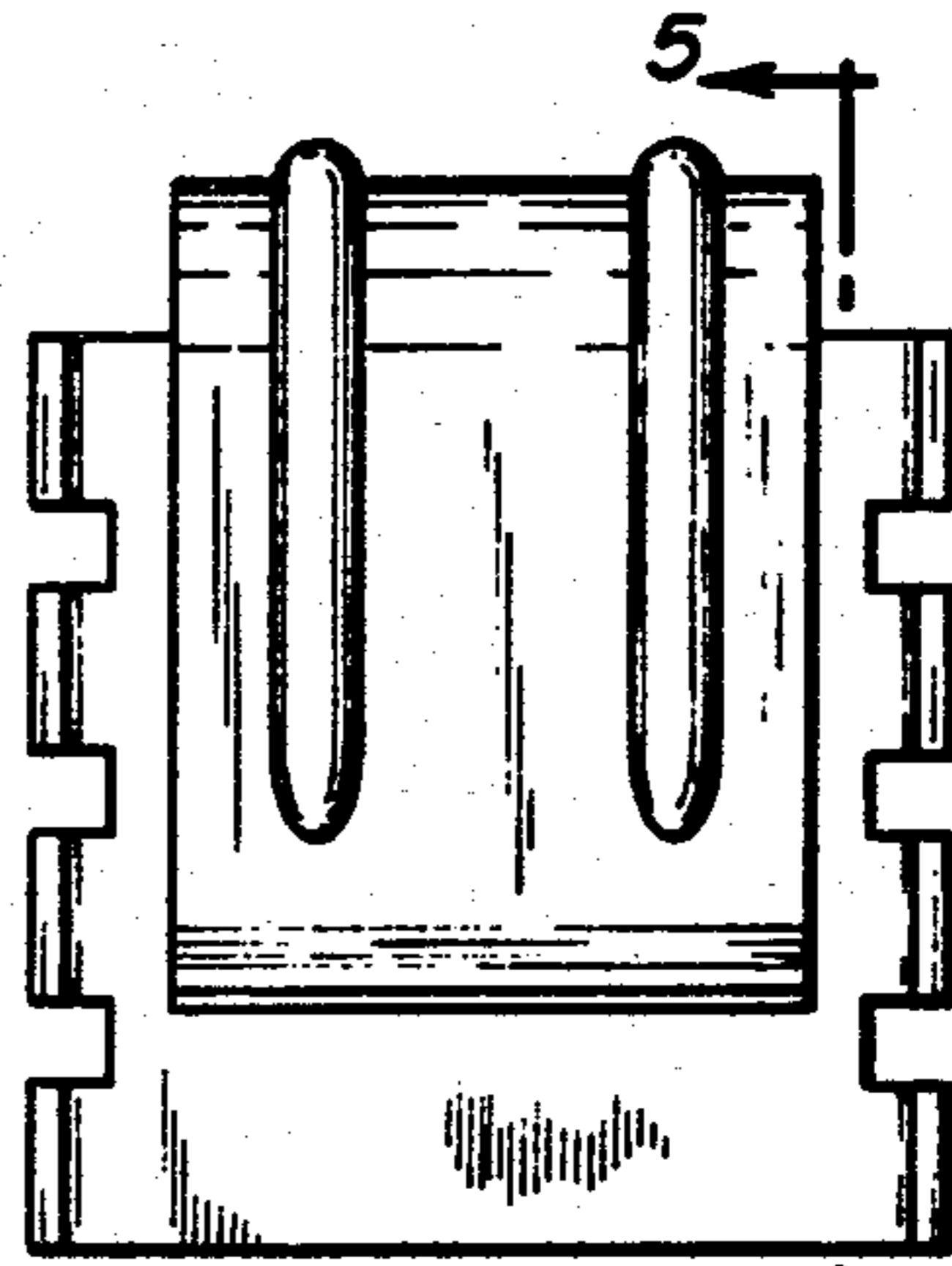


FIG. 4

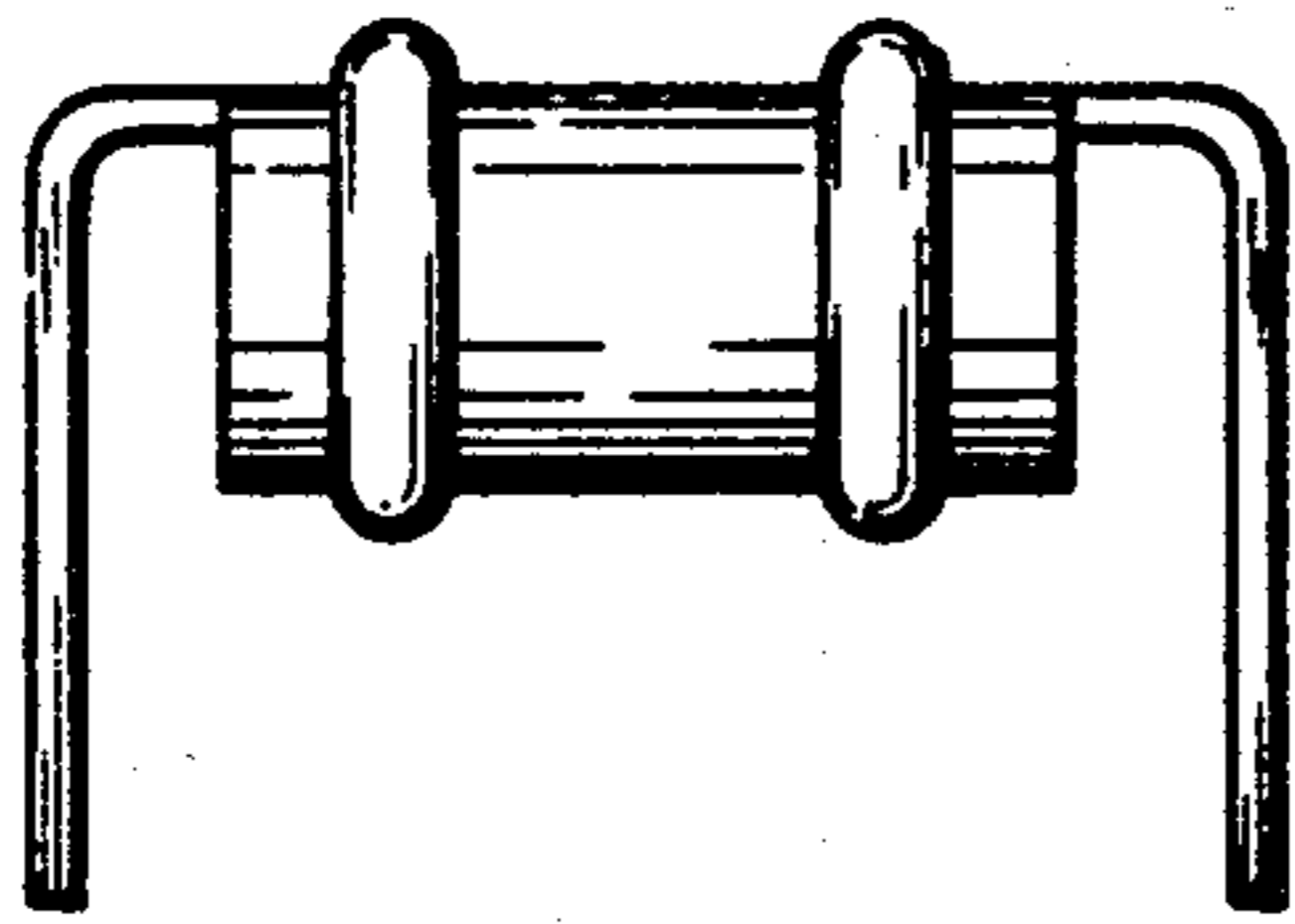


FIG. 2

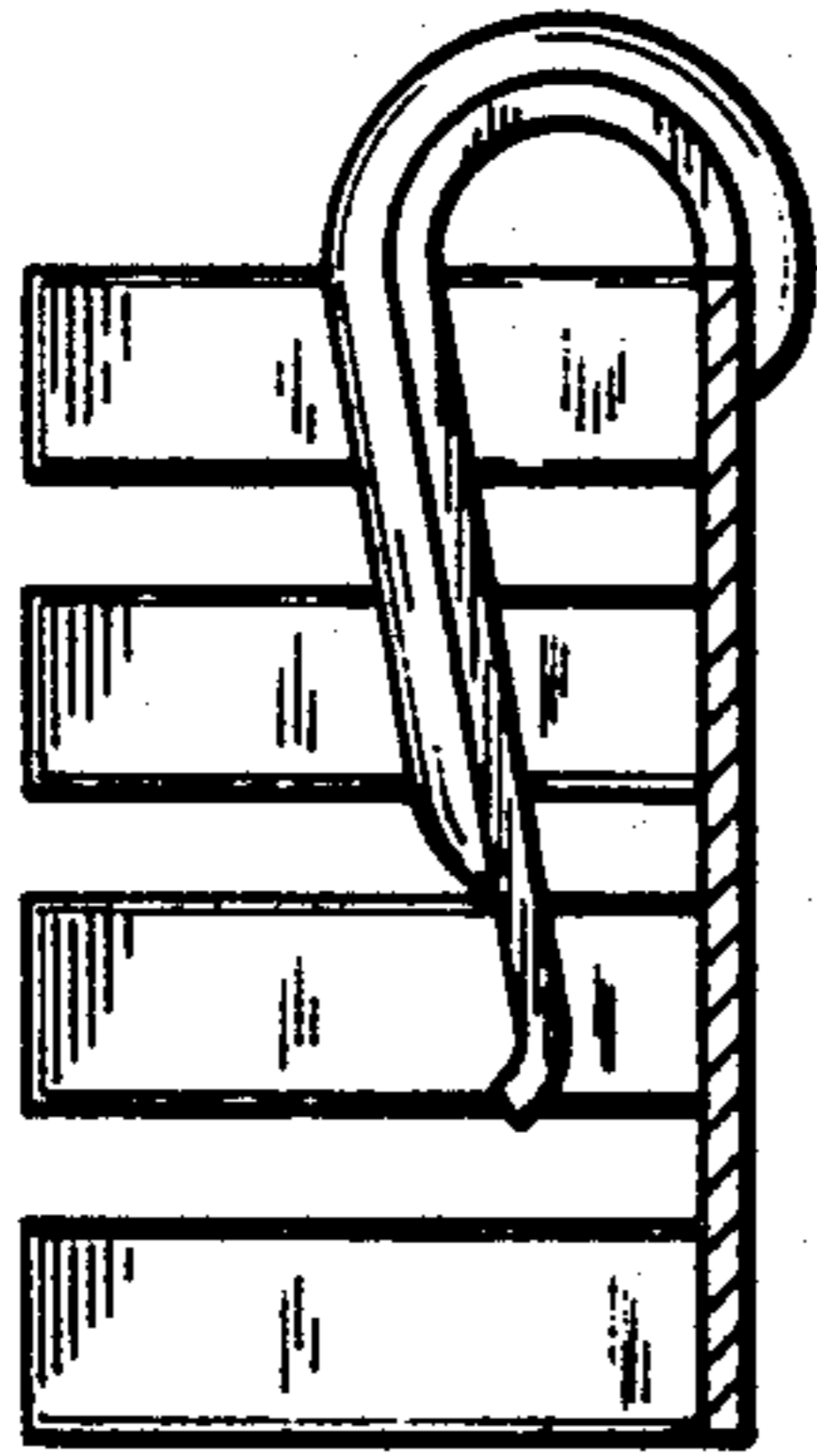


FIG. 5

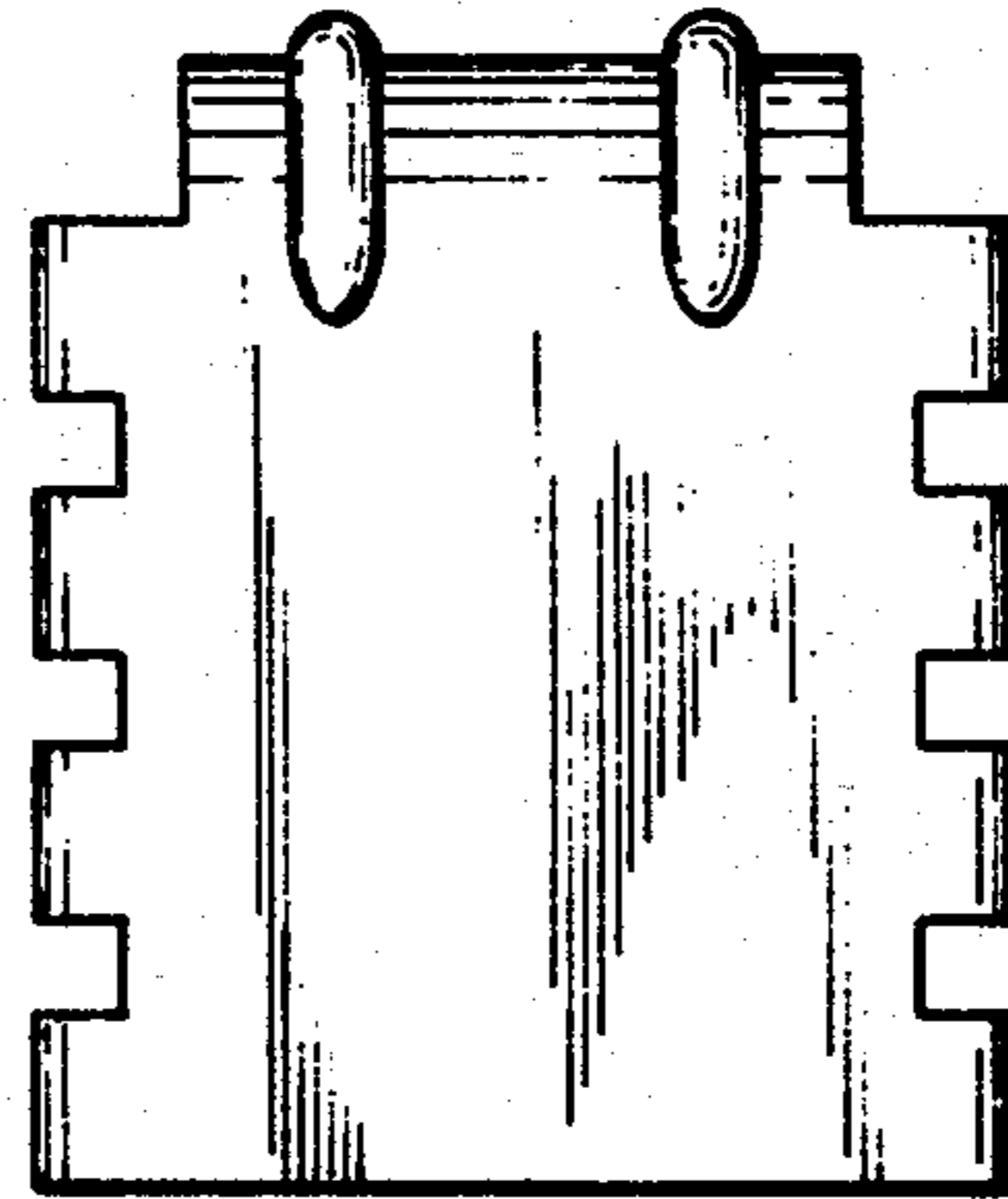


FIG. 6