

[54] **WIND DEFLECTOR FOR A VEHICLE REAR DOOR**

[75] **Inventor: Ulf A. Sandberg, Kungsbacka, Sweden**

[73] **Assignee: Aktiebolaget Volvo, Goteborg, Sweden**

[**] **Term: 14 Years**

[21] **Appl. No.: 454,082**

[22] **Filed: Dec. 28, 1982**

[30] **Foreign Application Priority Data**

Jul. 2, 1982 [SE] Sweden 82-1768

[52] **U.S. Cl. D12/181**

[58] **Field of Search D12/181; 296/91**

[56] **References Cited
PUBLICATIONS**

Haan 1981 Catalog, p. 63, Sunroof Wind Deflector, bottom of page.

J. C. Whitney Catalog No. 342, p. 130, Door Visor for 1953-1975 Volkswagen, center of page, ©1975.

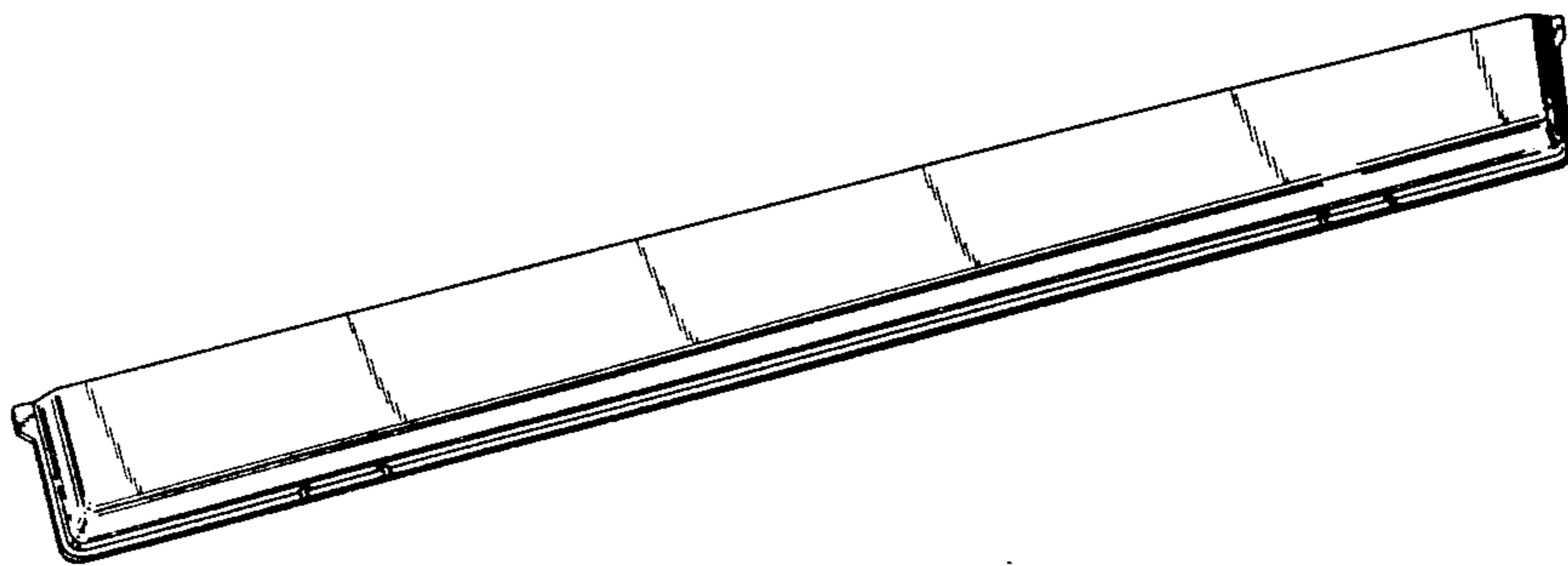
Primary Examiner—James M. Gandy
Attorney, Agent, or Firm—Young & Thompson

[57] **CLAIM**

The ornamental design for a wind deflector for a vehicle rear door, as shown.

DESCRIPTION

FIG. 1 is a bottom perspective view of the wind deflector for a vehicle rear door showing my new design; FIG. 2 is a top perspective view thereof; and FIG. 3 is a side elevation view thereof.



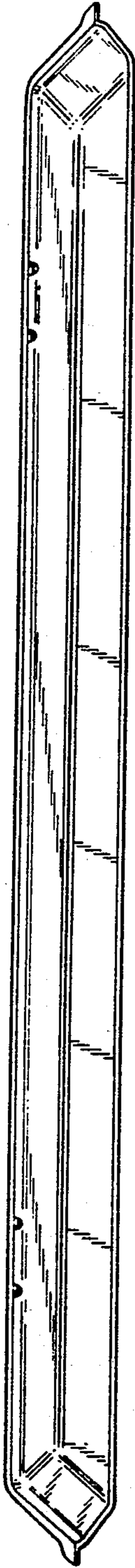


FIG. 1

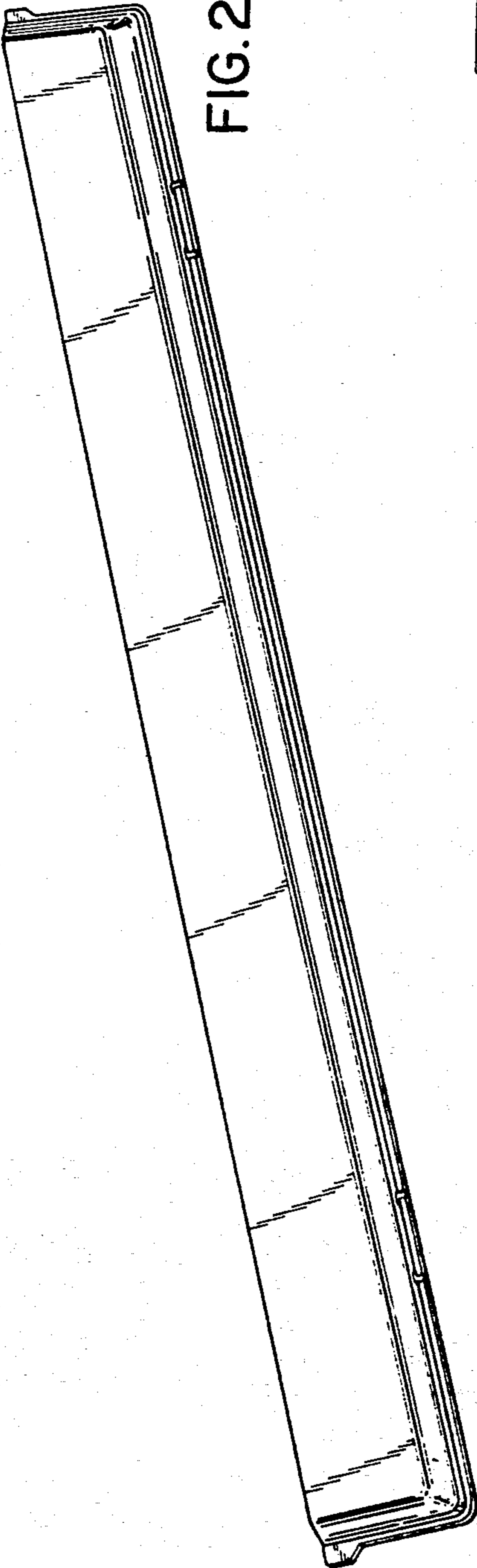


FIG. 2



FIG. 3