

[54] **BICYCLE HANDLE BAR**

[76] **Inventor: Roger Worsham, 20131 Corona St., Corona, Calif. 91720**

[**] **Term: 14 Years**

[21] **Appl. No.: 458,366**

[22] **Filed: Jan. 17, 1983**

[52] **U.S. Cl. D12/178**

[58] **Field of Search D12/178; 74/551.1**

[56] **References Cited**

PUBLICATIONS

J. C. Whitney Catalog No. 366F, ©1977, p. 110, Motorcycle Handlebar G, top of page.
Beck 1968-1969 Motorcycle Parts & Accessories Catalog, p. 84, High Rise Handlebar with Center Stay, bottom right side of page.

M. C. Supply Co. Catalog, 1968-1969, p. 24, Handlebar No. MC 8, top left side of page.

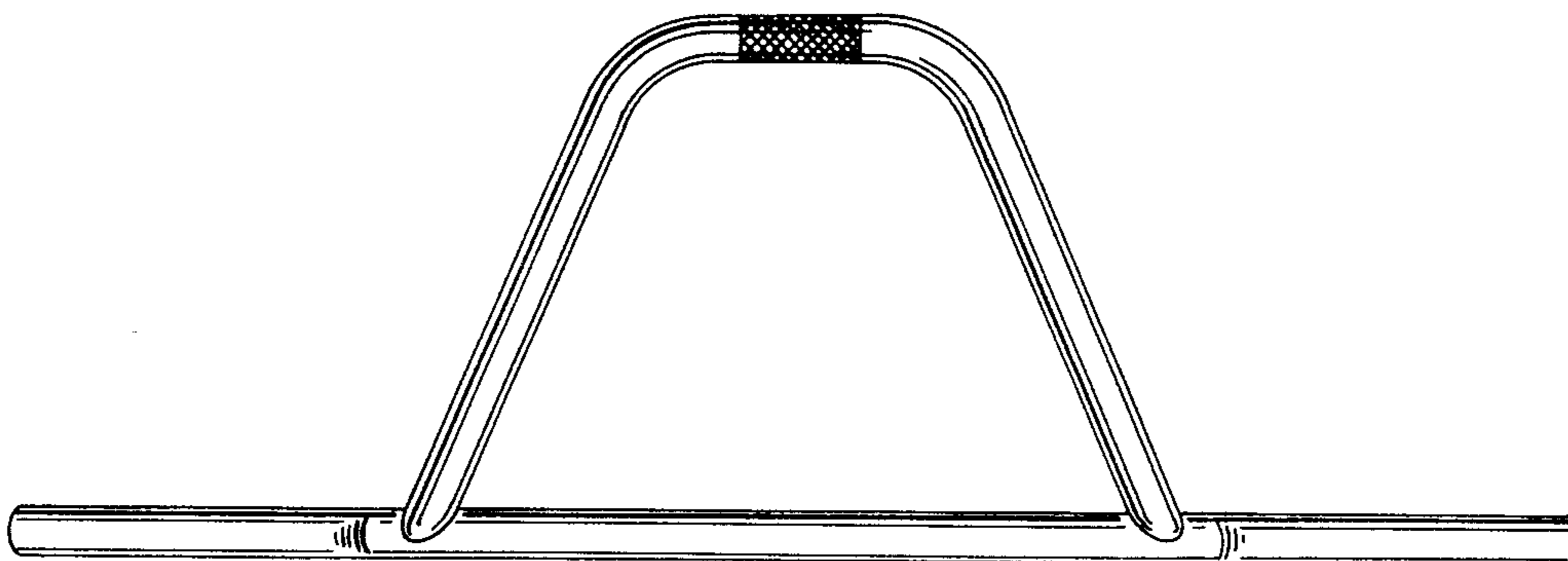
Primary Examiner—James M. Gandy
Attorney, Agent, or Firm—Fulwider, Patton, Rieber, Lee & Utecht

[57] **CLAIM**

The ornamental design for a bicycle handle bar, as shown and described.

DESCRIPTION

FIG. 1 is a front elevational view of a bicycle handle bar showing my new design;
FIG. 2 is a left side elevational view;
FIG. 3 is a top plan view;
FIG. 4 is a bottom plan view;
FIG. 5 is a rear elevational view; and
FIG. 6 is a front elevational view of a bicycle handle bar showing a second embodiment of my design wherein the sole difference resides in the central portion being of a lesser depth.



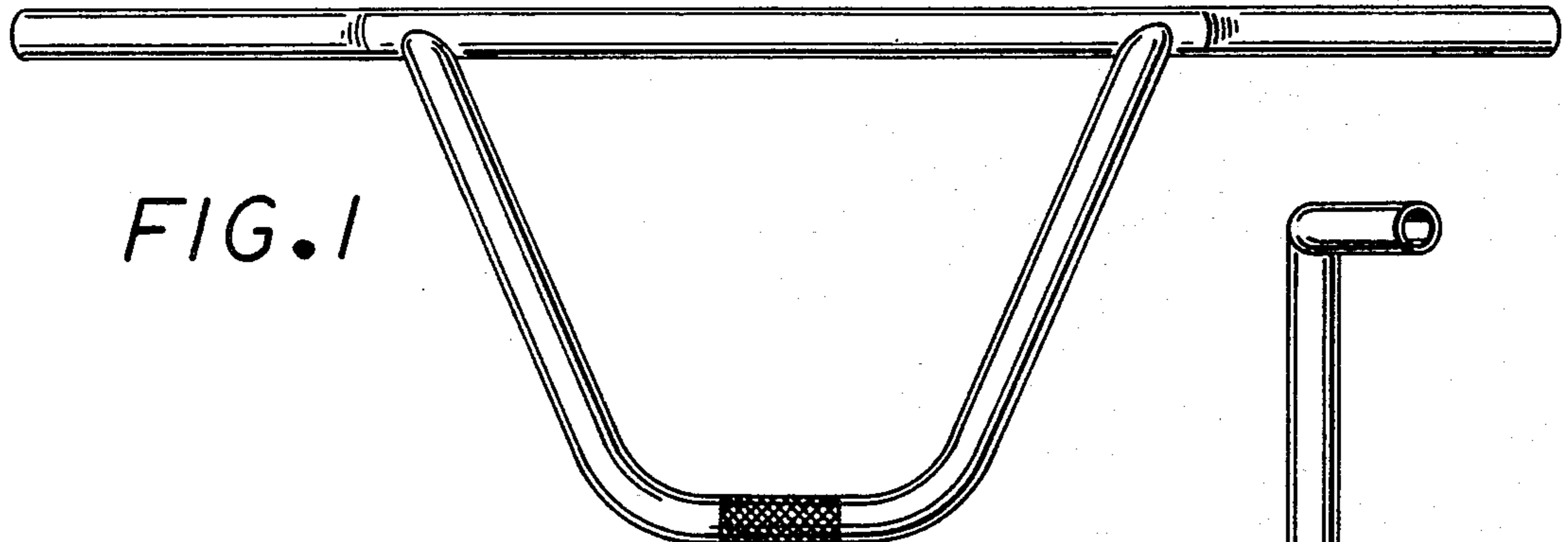


FIG. 1

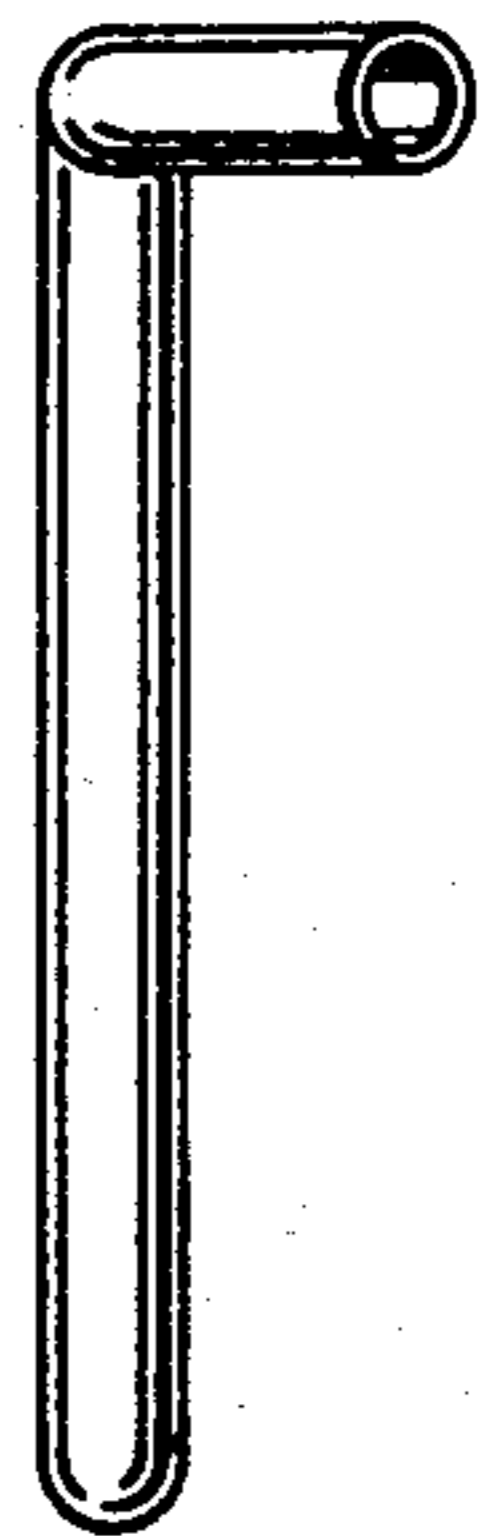


FIG. 2

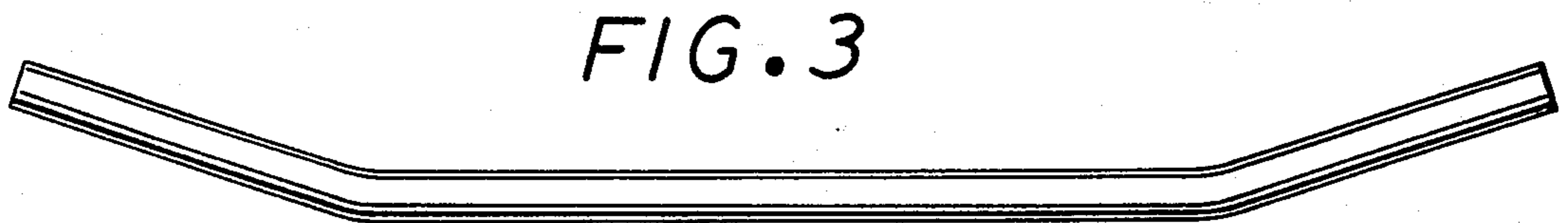


FIG. 3

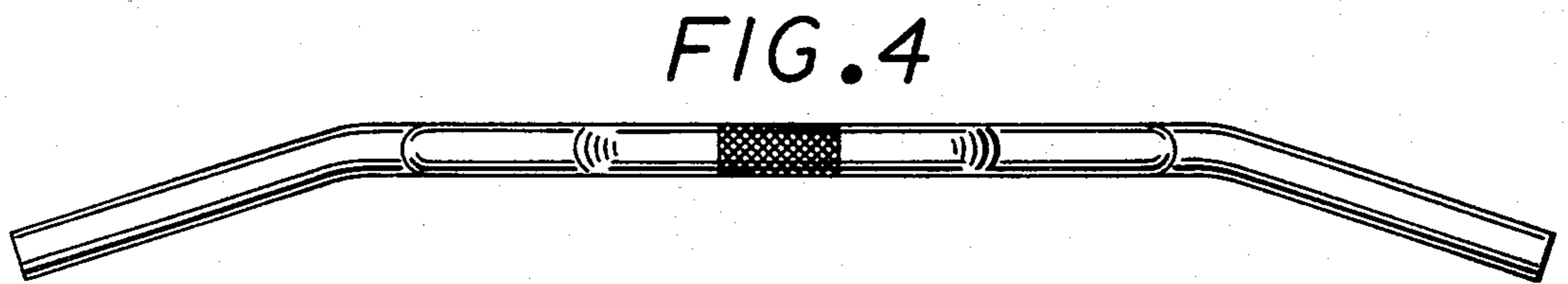


FIG. 4

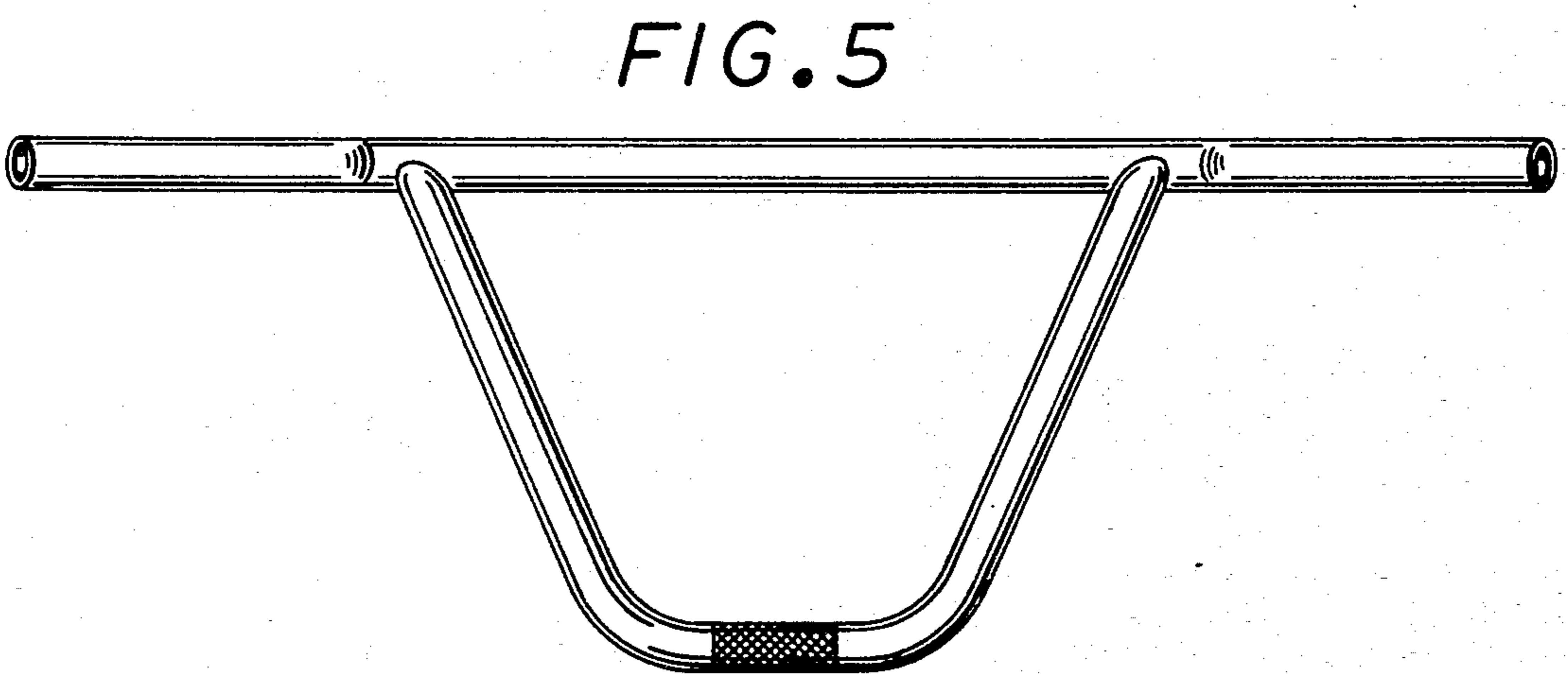


FIG. 5

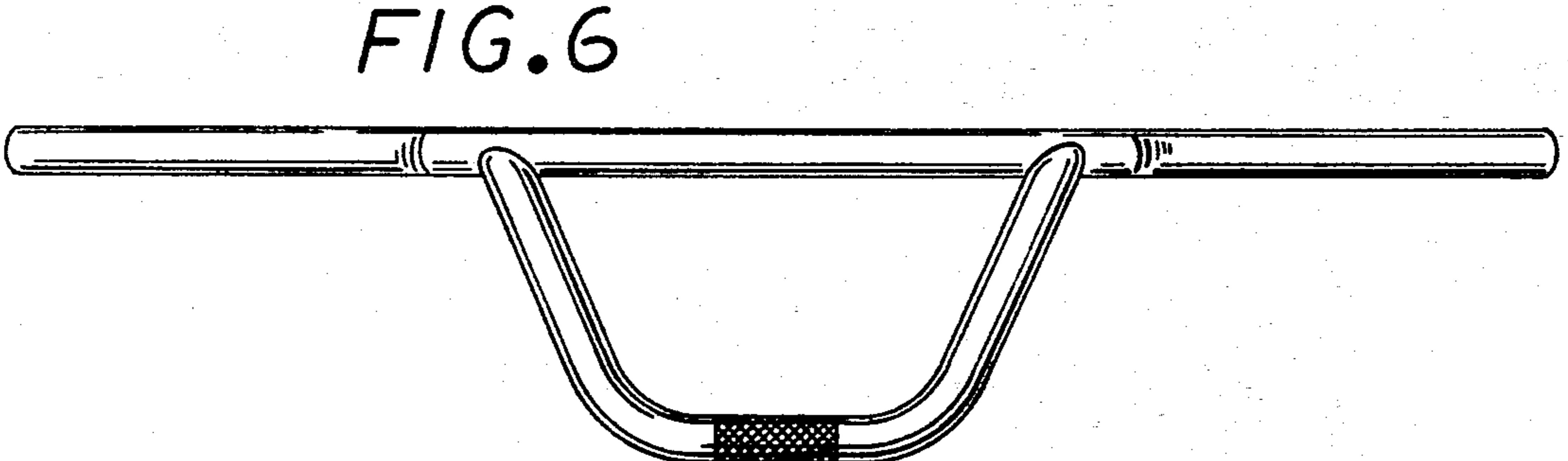


FIG. 6