

[54] **LOCKING DEVICE FOR A RIGGING SCREW**

[76] **Inventor: Bo T. Hoffström, Arkitektvägen 39, S-161 45 Bromma, Sweden**

[\*\*] **Term: 14 Years**

[21] **Appl. No.: 533,504**

[22] **Filed: Sep. 19, 1983**

[30] **Foreign Application Priority Data**

Mar. 21, 1983 [SE] Sweden ..... 83-0823

[52] **U.S. Cl.** ..... **D8/394; D8/330; D8/382**

[58] **Field of Search** ..... **D8/330, 394, 395, 396, D8/382; 24/563; 248/68.1; 411/522, 523, 516, 517, 521**

[56] **References Cited**

**U.S. PATENT DOCUMENTS**

2,746,701	5/1956	Carpenter et al. ....	248/68.1
3,227,030	1/1966	Preziosi .....	411/521
3,326,580	6/1967	Munier et al. ....	411/517
3,391,954	7/1968	Callahan .....	411/517

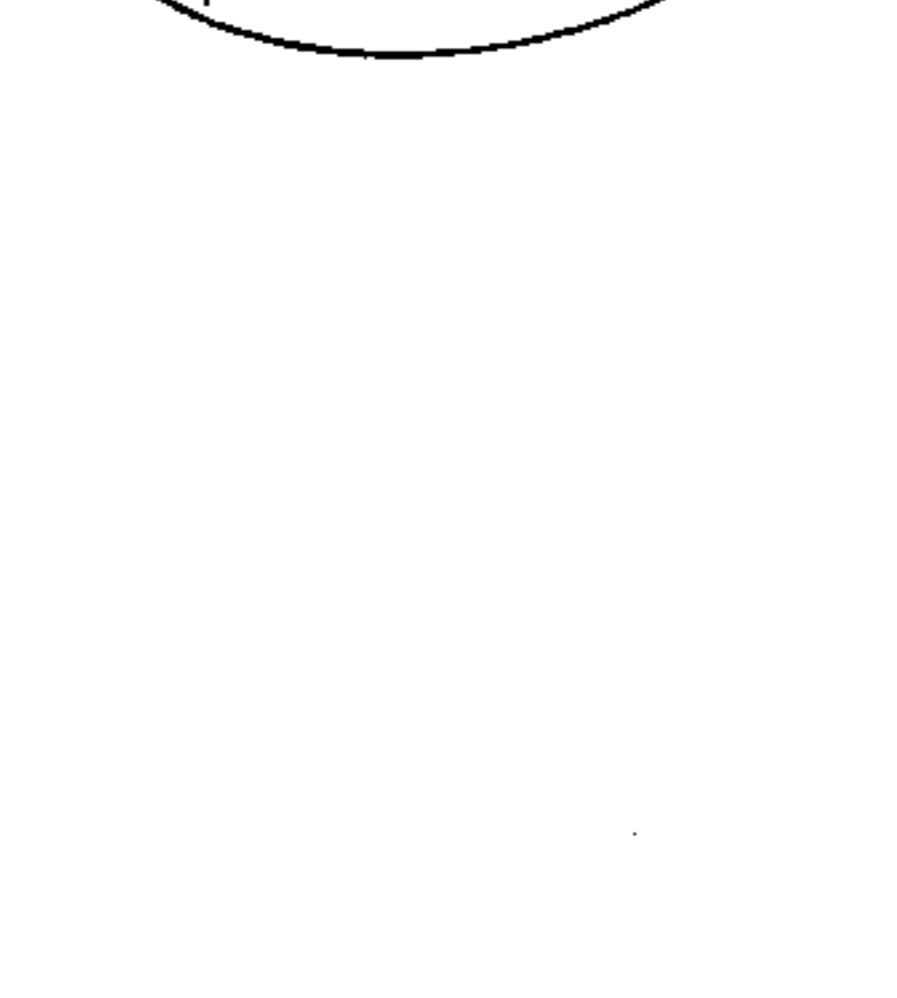
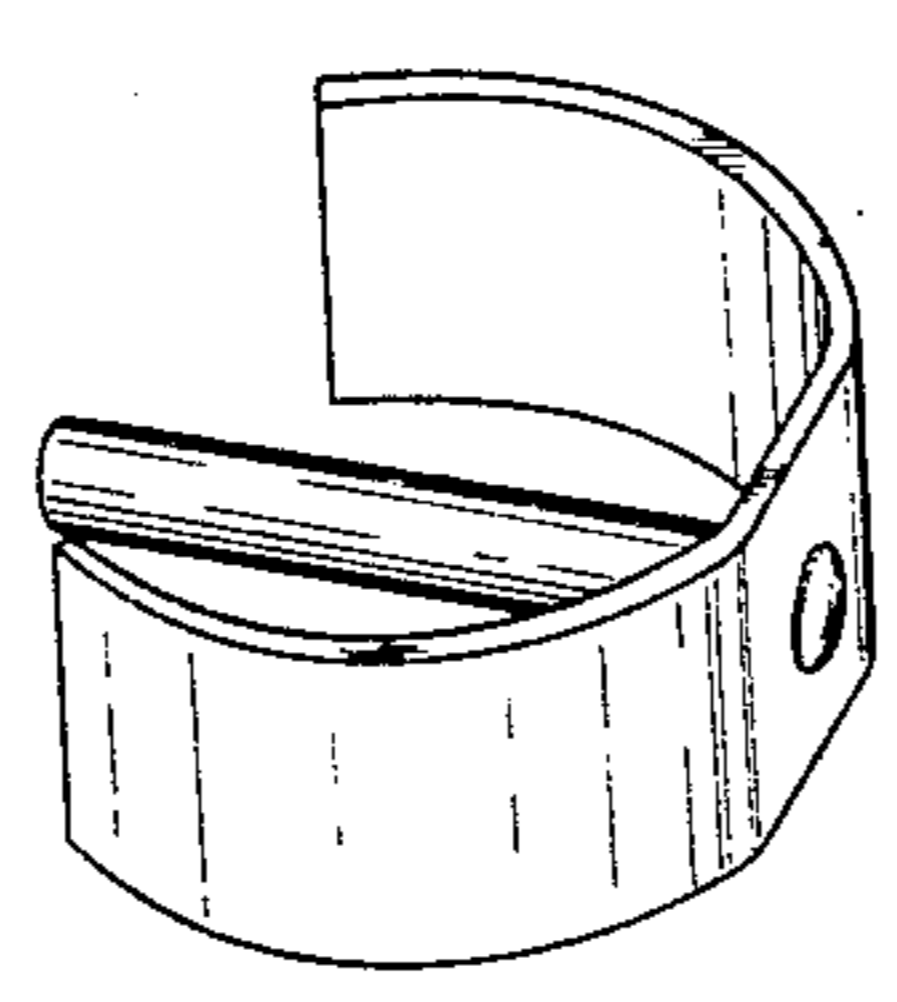
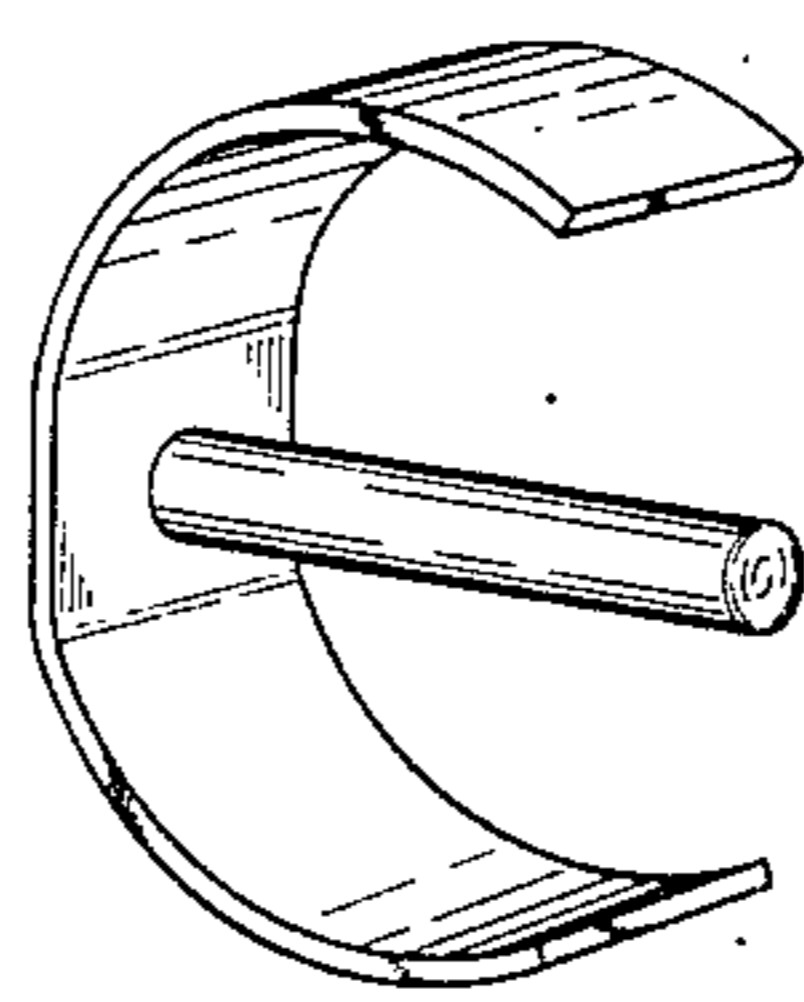
*Primary Examiner*—B. J. Bullock  
*Assistant Examiner*—Suzanne N. Gitlin  
*Attorney, Agent, or Firm*—Frishauf, Holtz, Goodman & Woodward

[57] **CLAIM**

The ornamental design for a locking device for a rigging screw, as shown.

**DESCRIPTION**

FIG. 1 is a front perspective view of a locking device for a rigging screw showing my new design;  
FIG. 2 is a side perspective view thereof;  
FIG. 3 is a rear perspective view thereof.



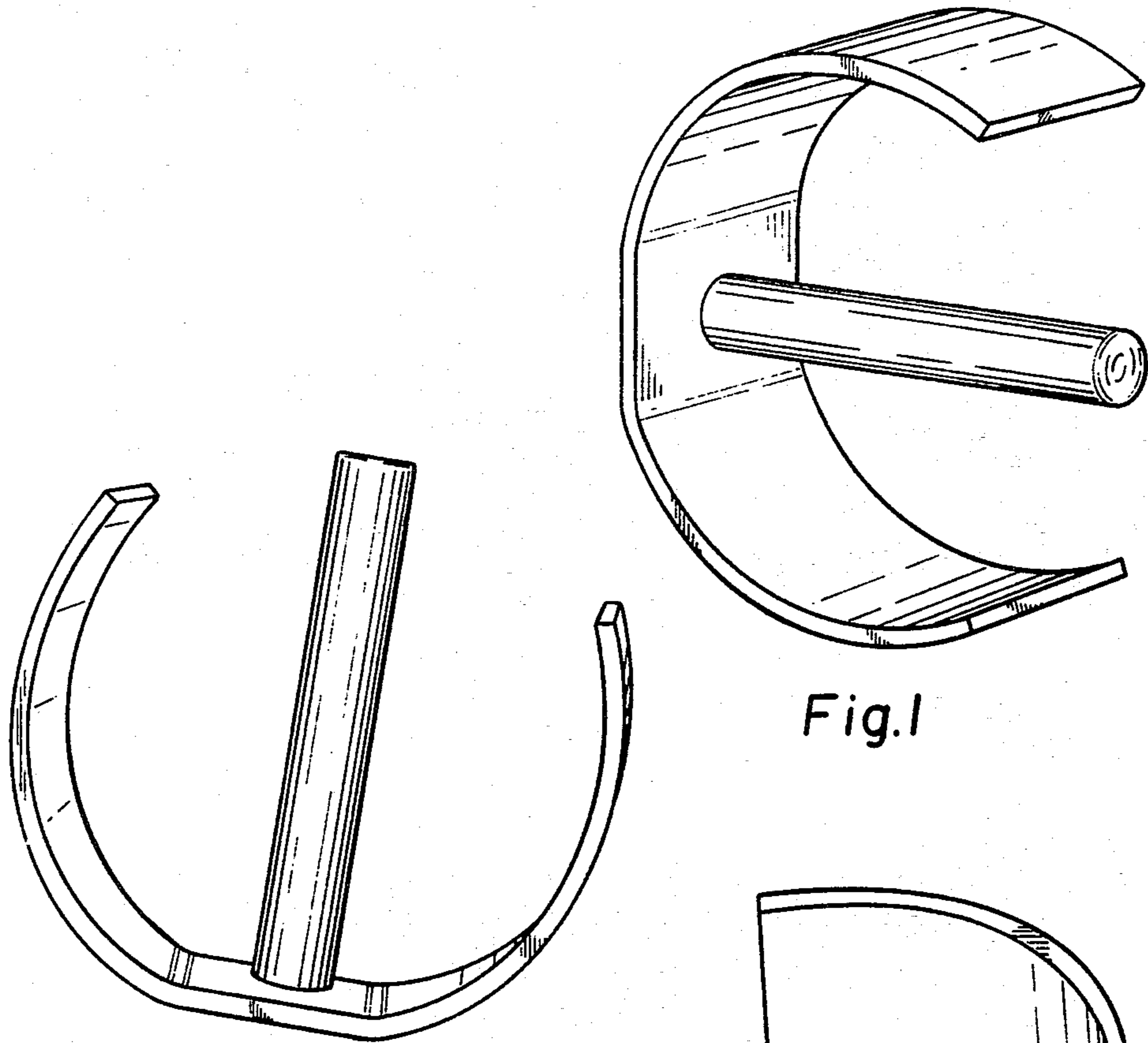


Fig. 1

Fig. 2

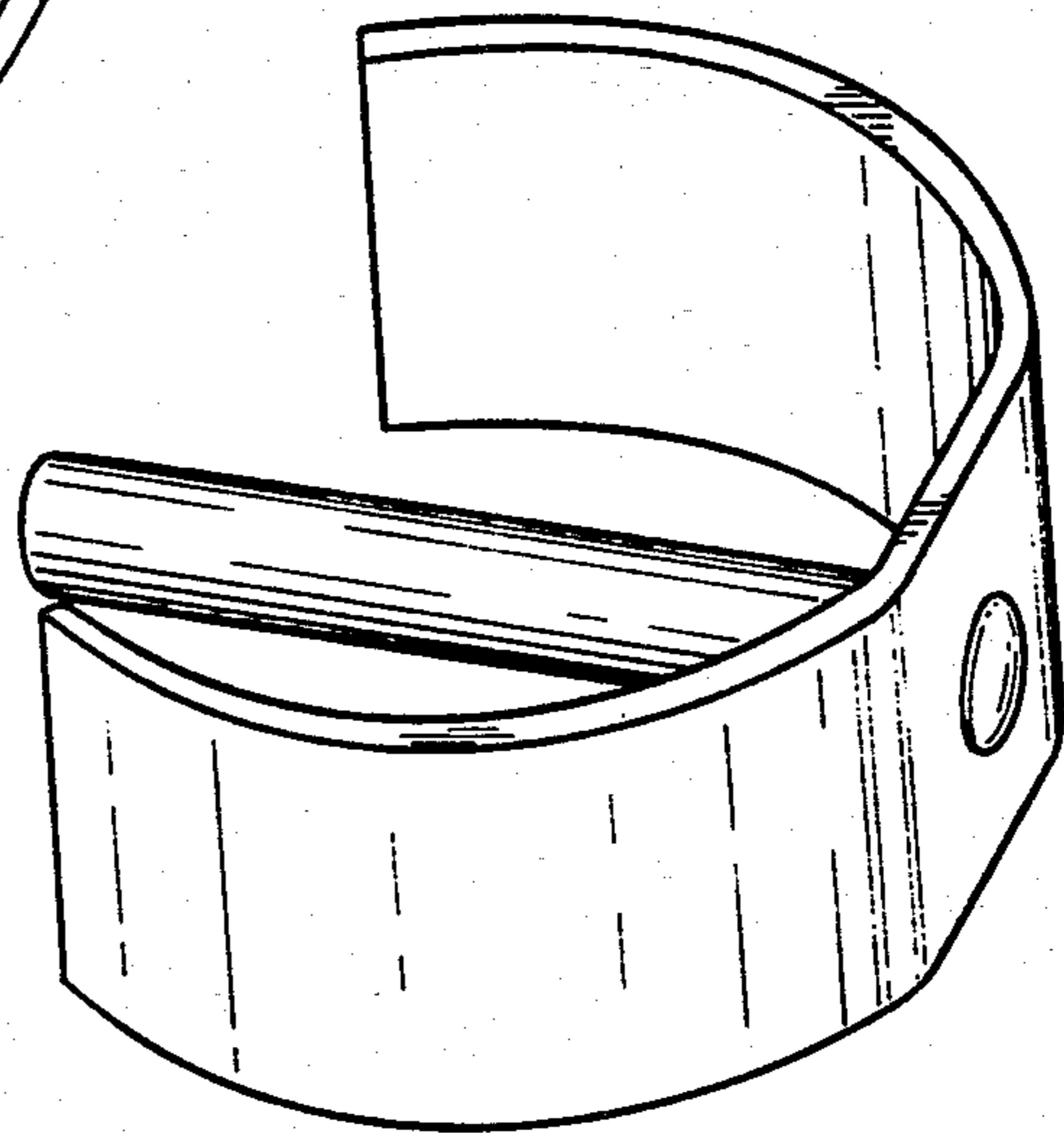


Fig. 3