

[54] HANDLE FOR A SECURITY CONTAINER OR THE LIKE

[75] Inventor: Clive W. Warwicker, Cookley, Nr. Kidderminster, England

[73] Assignee: Helix Limited, West Midlands, England

[\*\*] Term: 14 Years

[21] Appl. No.: 649,283

[22] Filed: Sep. 11, 1984

[30] Foreign Application Priority Data

Mar. 13, 1984 [GB] United Kingdom ..... 1018871

[52] U.S. Cl. .... D8/306; D8/317

[58] Field of Search ..... D8/300, 306, 315-320; 16/110 R, 125, 126; D3/72, 76; 190/39, 115, 116, 117

[56] References Cited

U.S. PATENT DOCUMENTS

D. 168,362	12/1952	Lurie .....	D8/306
D. 209,726	12/1967	Marks .....	D8/306
D. 216,076	11/1969	Marks .....	D8/306
D. 263,015	2/1982	Loncosty .....	D3/72
2,517,369	8/1950	Wolfoon .....	16/126
2,780,330	2/1957	Lifton .....	D8/317

Primary Examiner—B. J. Bullock  
Attorney, Agent, or Firm—Neil F. Markva

[57] CLAIM

The ornamental design for a handle for a security container or the like, as shown.

DESCRIPTION

FIG. 1 is a side elevational view of a handle for a security container or the like showing my new design;

FIG. 2 is a top plan view thereof;

FIG. 3 is an end elevational view thereof;

FIG. 4 is a sectional view taken on line 4—4 of FIG. 1;

FIG. 5 is a sectional view taken in the direction of the arrows on line 5—5 of FIG. 1.

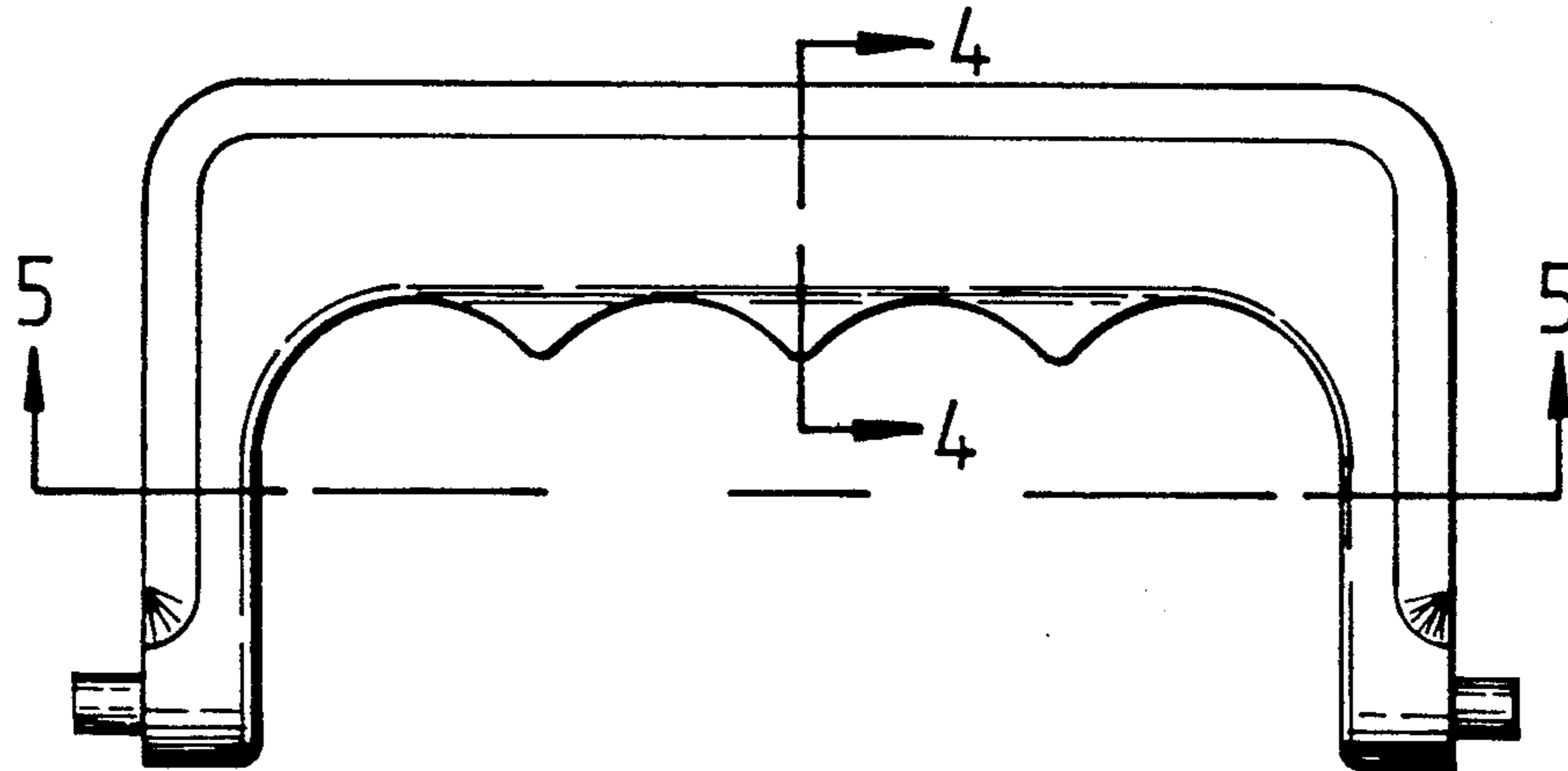


FIG. 1.

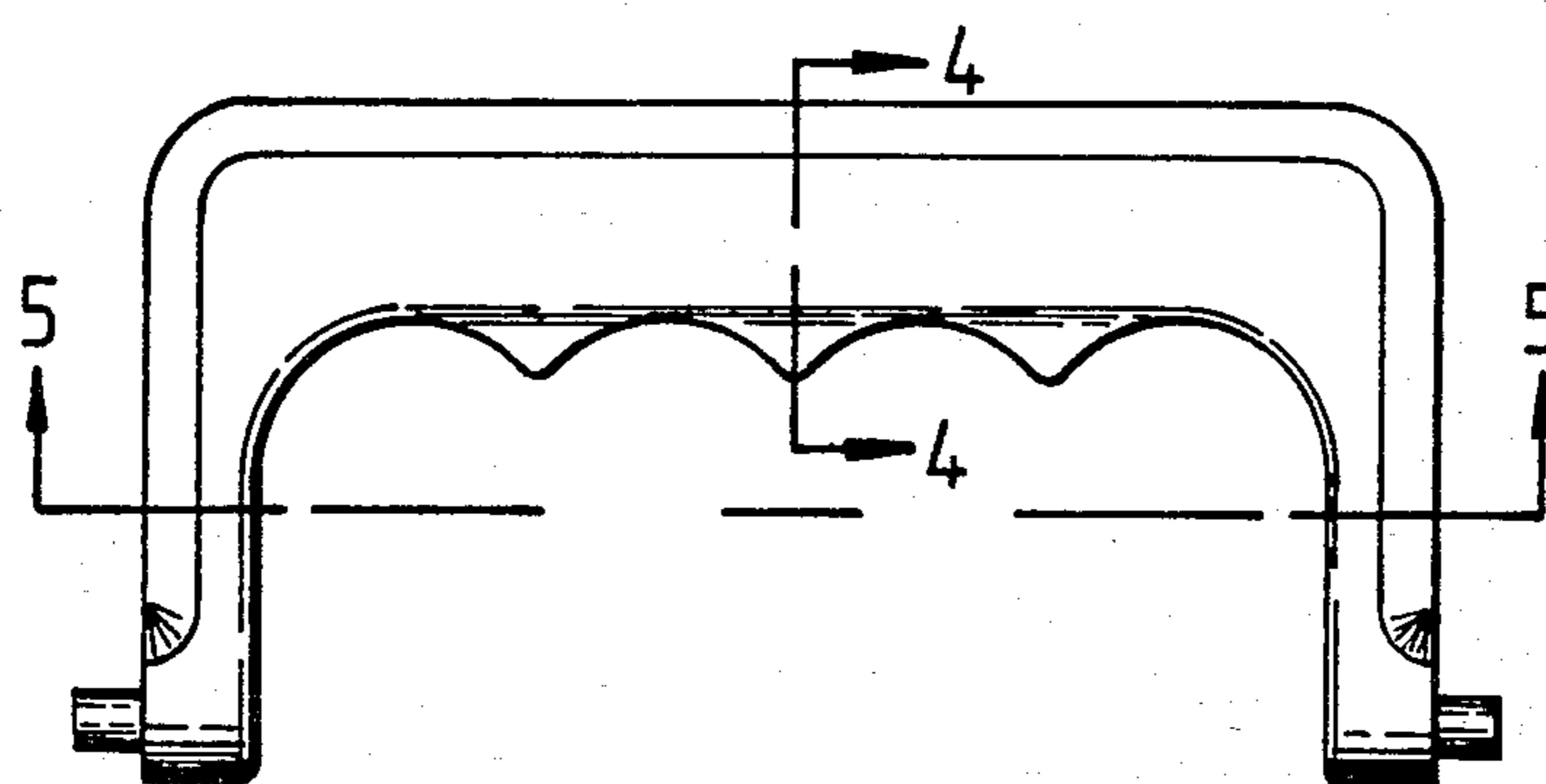


FIG. 2.



FIG. 3.



FIG. 4.



FIG. 5.

