

[54] CLOSET STORAGE UNIT

[76] Inventor: Nicholas Pryor, 12940 Addison St.,  
Sherman Oaks, Calif. 91423

[\*\*] Term: 14 Years

[21] Appl. No.: 689,018

[22] Filed: Jan. 3, 1985

Related U.S. Application Data

[63] Continuation of Ser. No. 369,168, Apr. 16, 1982, abandoned.

[52] U.S. Cl. .... D6/186

[58] Field of Search ..... D6/411, 413, 449, 414,  
D6/479, 437; D21/245; 211/34, 105.1, 123;  
312/107, 108; 108/61; 248/222.2

[56]

References Cited

U.S. PATENT DOCUMENTS

D. 225,954	1/1973	Schachel .....	D6/189
2,008,748	7/1935	Crow .....	211/34
2,069,635	2/1937	Whenham .....	211/123 X
2,098,828	11/1937	Ludwick .....	211/34
2,152,192	3/1939	Hoffman .....	211/34
4,206,955	6/1980	Cooper .....	D6/160 X
4,209,099	6/1980	Wickes .....	211/123 X

Primary Examiner—Carmen H. Vales  
Attorney, Agent, or Firm—Burns, Doane, Swecker &  
Mathis

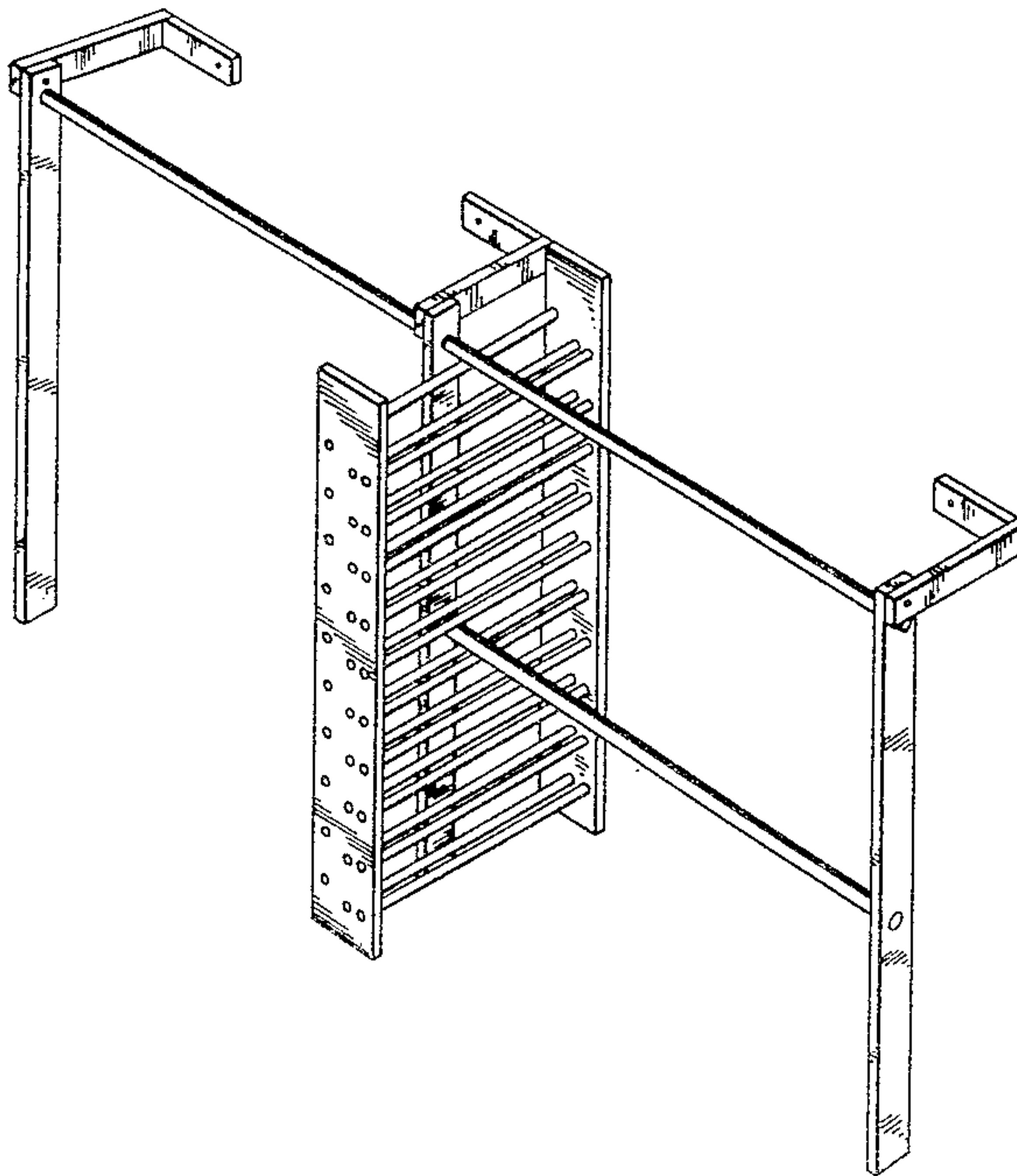
[57]

CLAIM

The ornamental design for a closet storage unit, as shown.

DESCRIPTION

FIG. 1 is a perspective view of a closet storage unit showing my new design;  
FIG. 2 is a front elevational view thereof;  
FIG. 3 is a top plan view thereof; and  
FIG. 4 is a right end elevational view thereof.



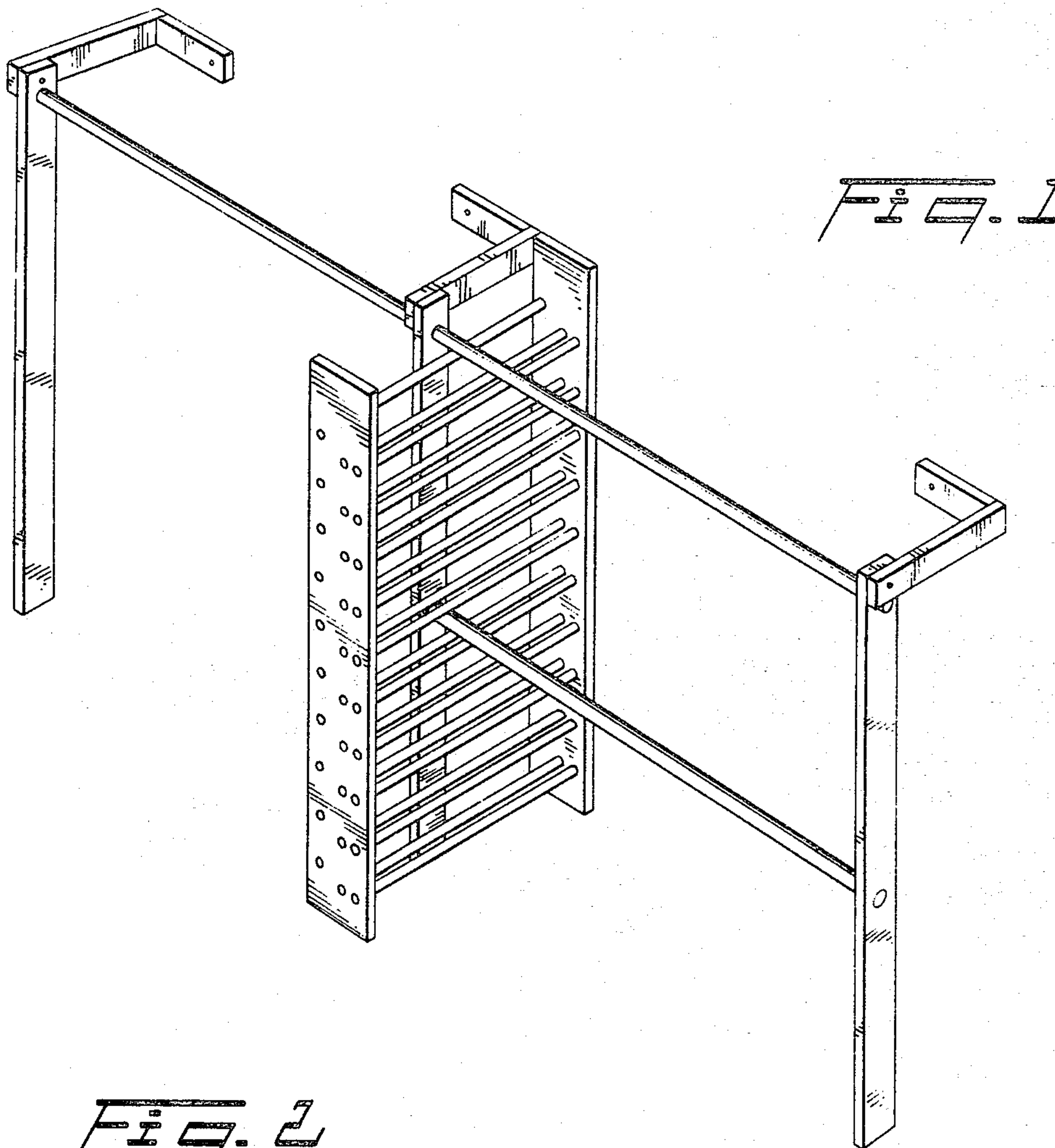
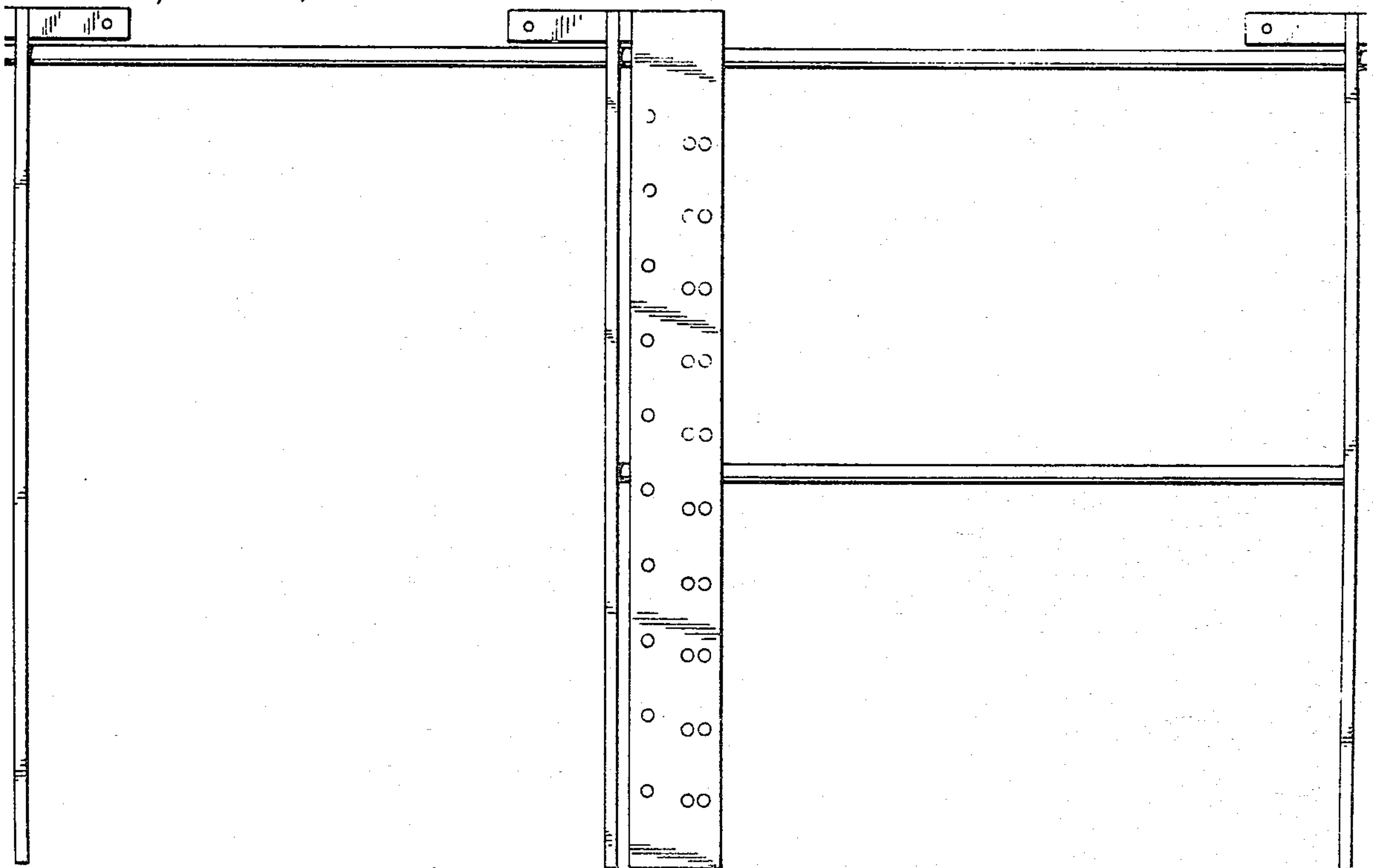
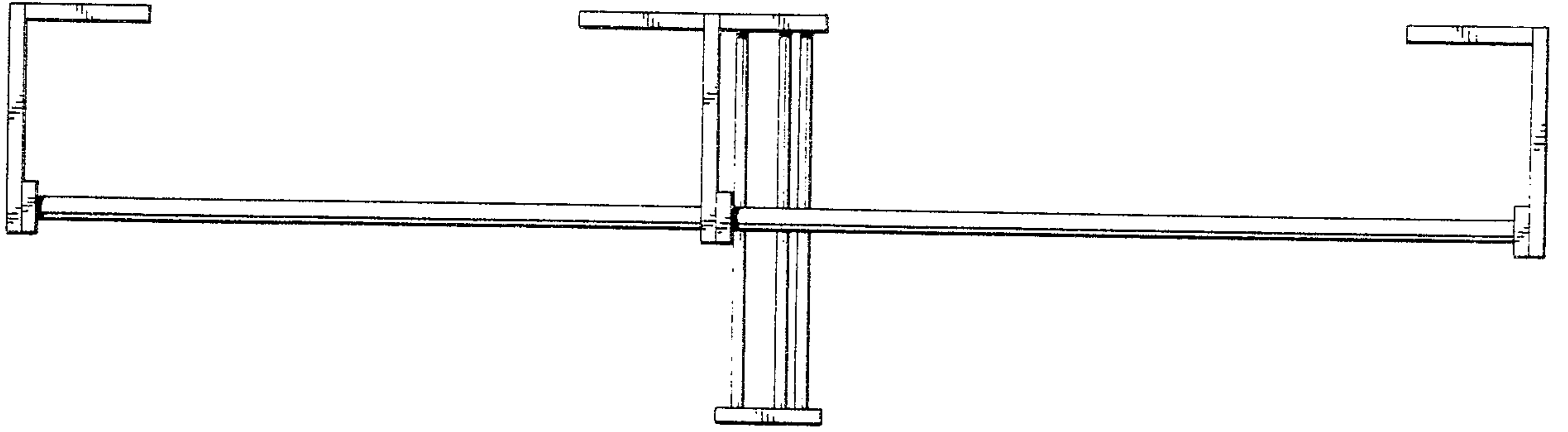
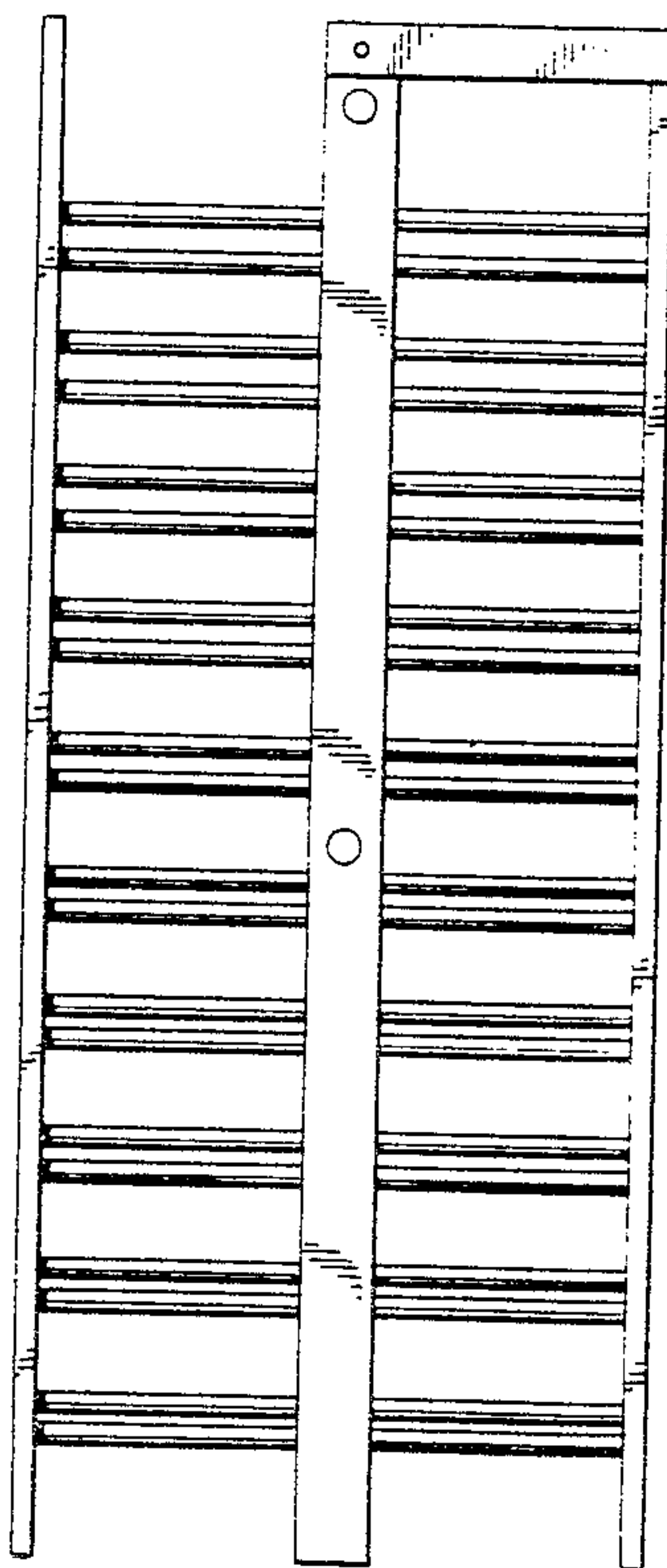


FIG. 2





*Fig. 3*



*Fig. 4*