

United States Patent [19]

Kelemen, Sr.

[11] Patent Number: **Des. 284,810**

[45] Date of Patent: **** Jul. 29, 1986**

[54] **MANUAL CORD AND HOSE COIL CARRIER**

4,220,293 9/1980 Gename D3/73

[76] Inventor: **Kelemen C. Kelemen, Sr.**, 12937 Ida West Rd., Ida, Mich. 48140

FOREIGN PATENT DOCUMENTS

16554 of 1911 United Kingdom 206/305

[**] Term: **14 Years**

Primary Examiner—George P. Word
Attorney, Agent, or Firm—James M. Deimen

[21] Appl. No.: **512,327**

[57] CLAIM

[22] Filed: **Jul. 11, 1983**

The ornamental design for a manual cord and hose coil carrier, as shown and described.

[52] U.S. Cl. **D3/30.1; D3/37; D3/73**

[58] Field of Search 294/159; D3/73, 30.1; D8/107, 396, 354-357, 364, 383; 242/85, 85.1, 86, 86.1, 96; 206/305; 211/605 K

DESCRIPTION

FIG. 1 is a top plan view of a manual cord and hose coil carrier showing my new design;
FIG. 2 is a side elevational view thereof;
FIG. 3 is a bottom plan view thereof;
FIG. 4 is a left end elevational view thereof;
FIG. 5 is a right end elevational view thereof; and
FIG. 6 is a side elevational view thereof in the open position.

[56] References Cited

U.S. PATENT DOCUMENTS

D. 230,826 3/1974 Menshen D8/396
D. 257,576 12/1980 Bobrovniczky D3/73
4,123,012 10/1978 Hough 242/85.1

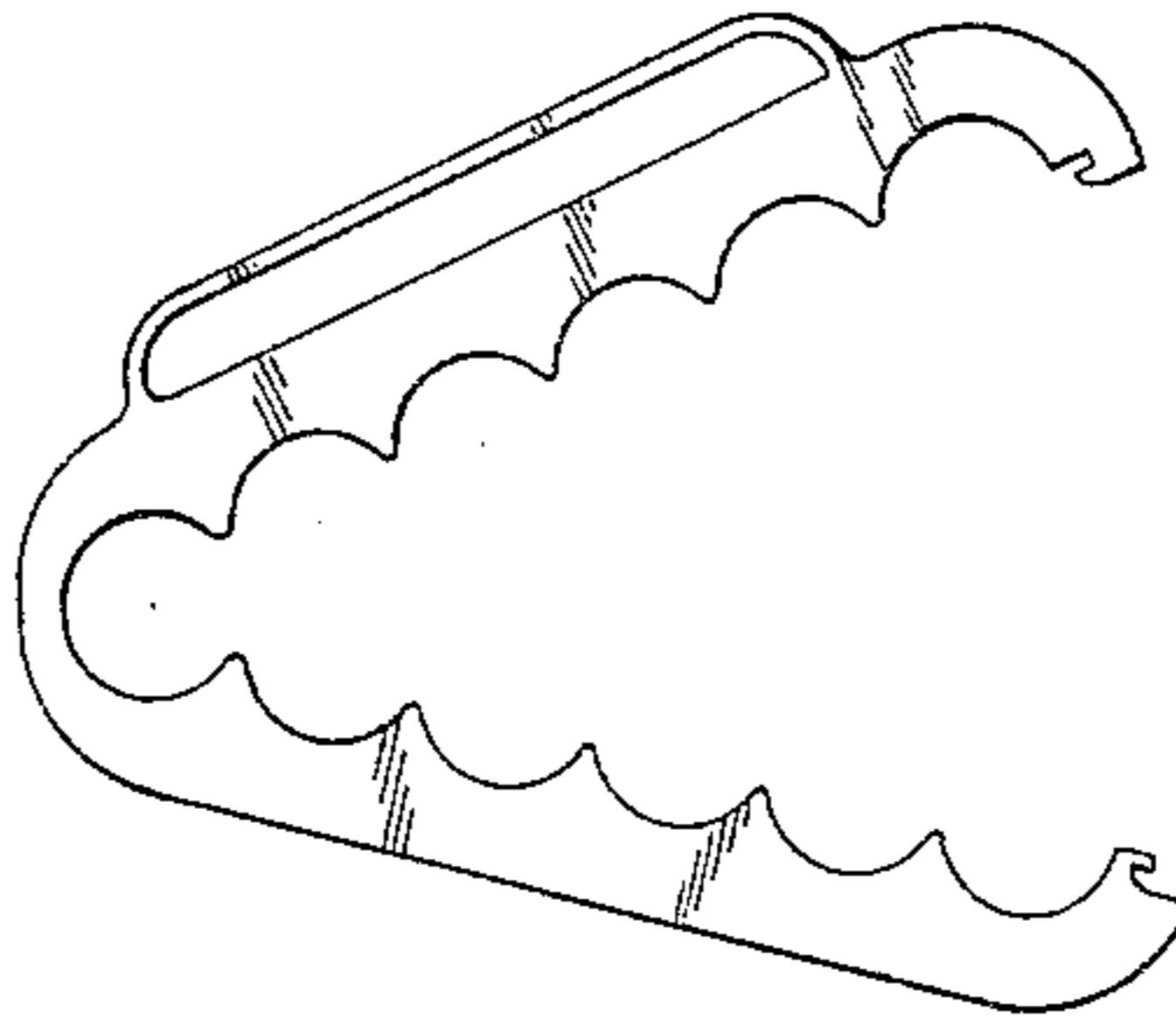
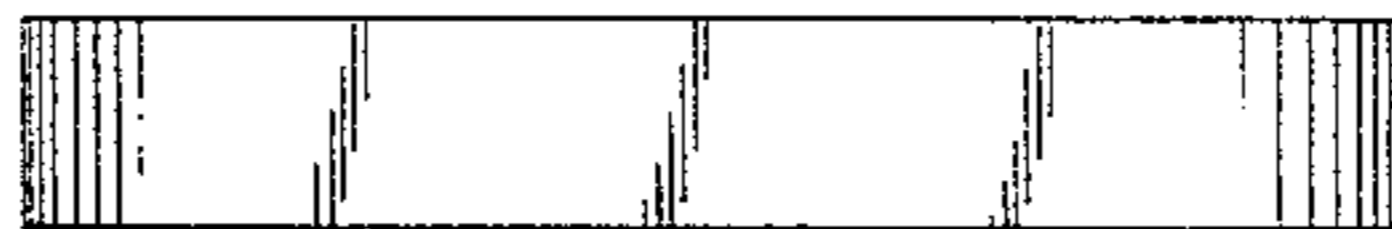


FIG. 1



FIG. 4

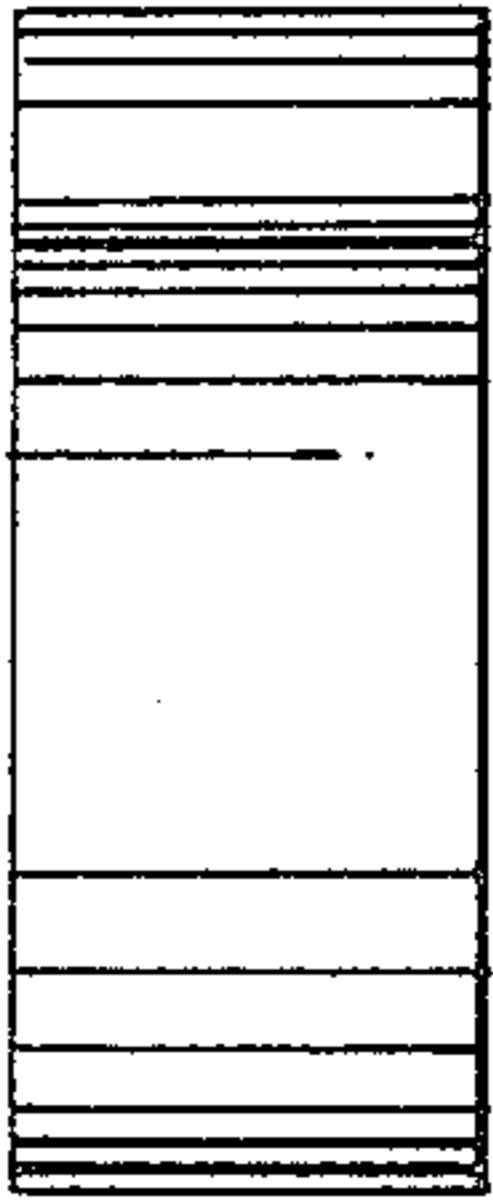


FIG. 2

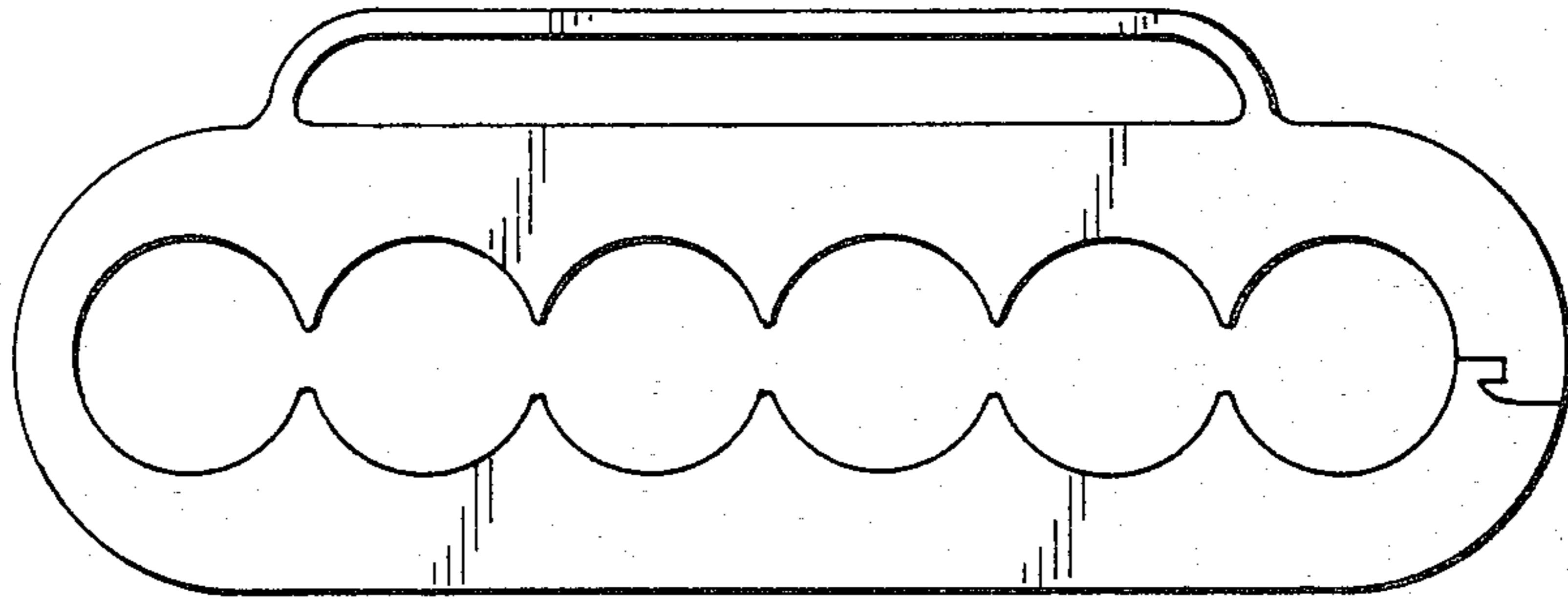


FIG. 5

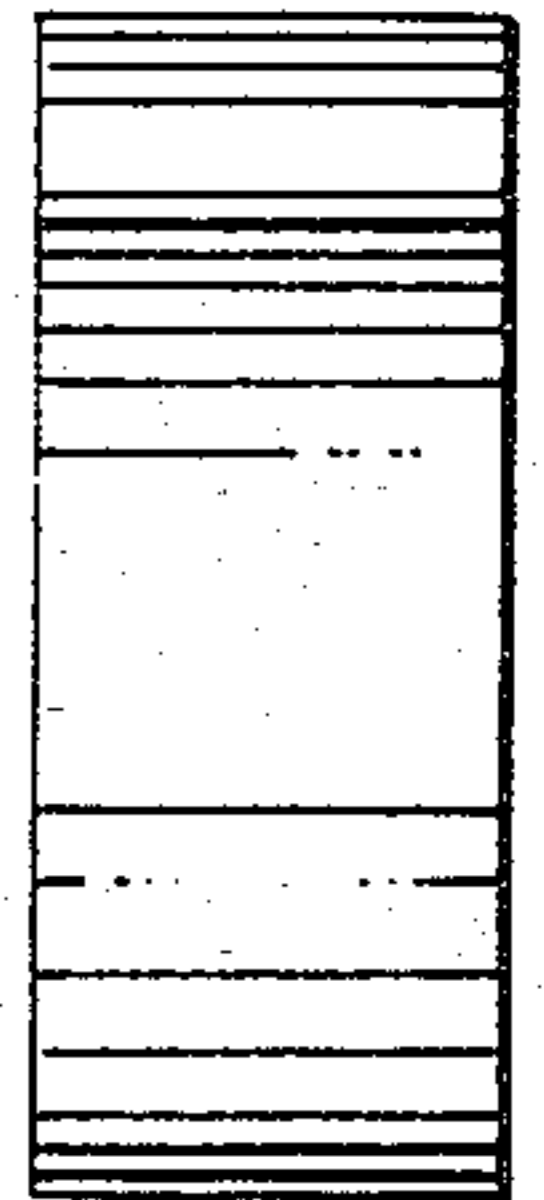


FIG. 3

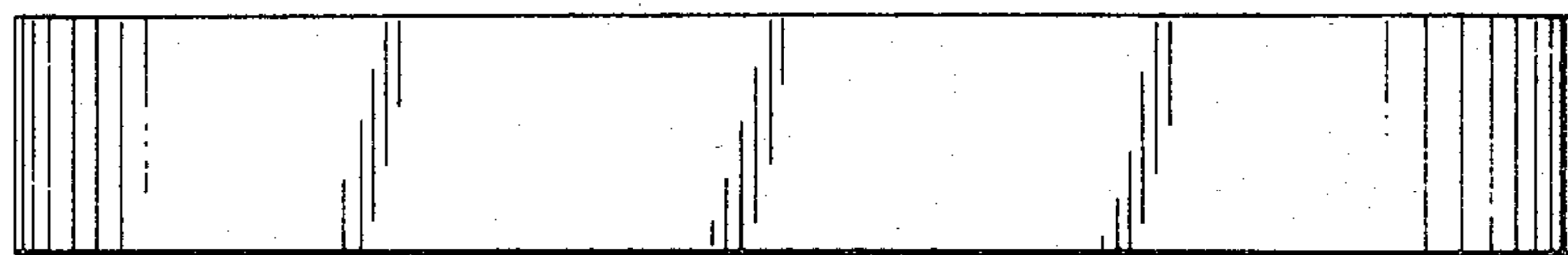


FIG. 6

