

[54] **BELT HOLSTER FOR TELEPHONE INSTRUMENT**

[75] **Inventor: Franklin D. Knight, Jr., Huntsville, Ala.**

[73] **Assignee: GTE Business Communication Systems, Northlake, Ill.**

[**] **Term: 14 Years**

[21] **Appl. No.: 577,958**

[22] **Filed: Feb. 8, 1984**

[52] **U.S. Cl. D2/400**

[58] **Field of Search D2/400; D3/74; D8/26, D8/71; 224/236, 250, 251, 252, 253, 223, 919, 918; 179/57, 146 R**

[56]

References Cited

U.S. PATENT DOCUMENTS

2,822,116 2/1958 Smalley et al. 224/253
3,813,017 5/1974 Pimslevr 224/253 X
4,046,295 9/1977 Eichler 224/253 X

Primary Examiner—Bernard Ansher
Assistant Examiner—Timothy M. Smith
Attorney, Agent, or Firm—Robert J. Black

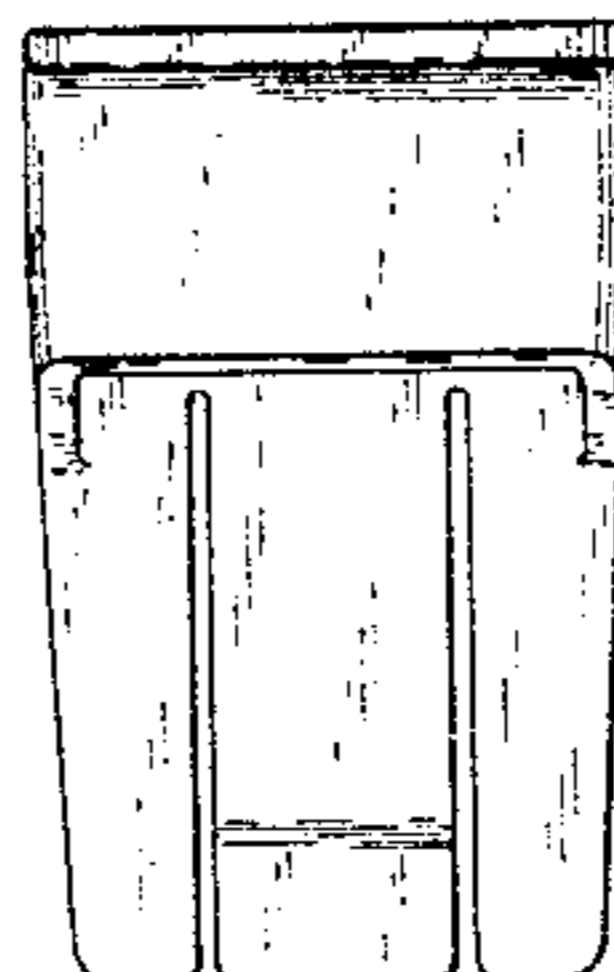
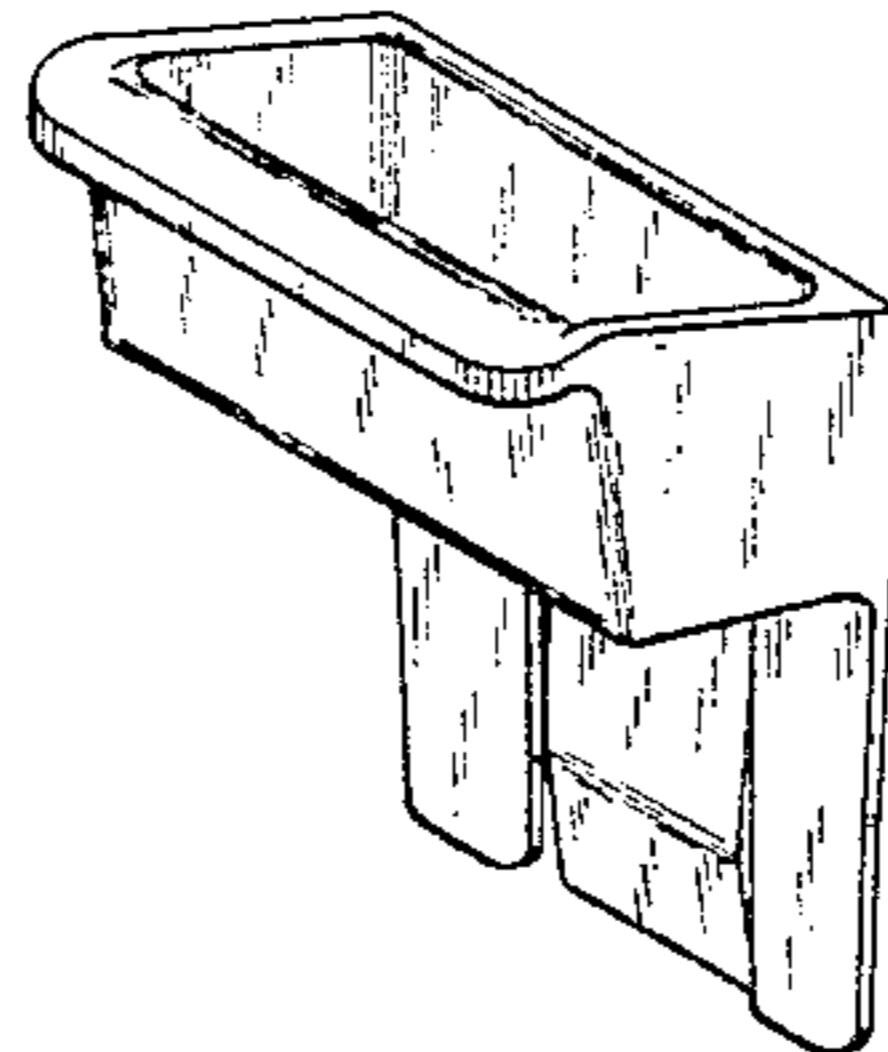
[57]

CLAIM

The ornamental design for a belt holster for telephone instrument, as shown.

DESCRIPTION

FIG. 1 is a perspective view of a belt holster for a telephone instrument, showing my new design;
FIG. 2 is a top plan thereof;
FIG. 3 is a front elevation view thereof; and
FIG. 4 is a left side elevational view thereof.



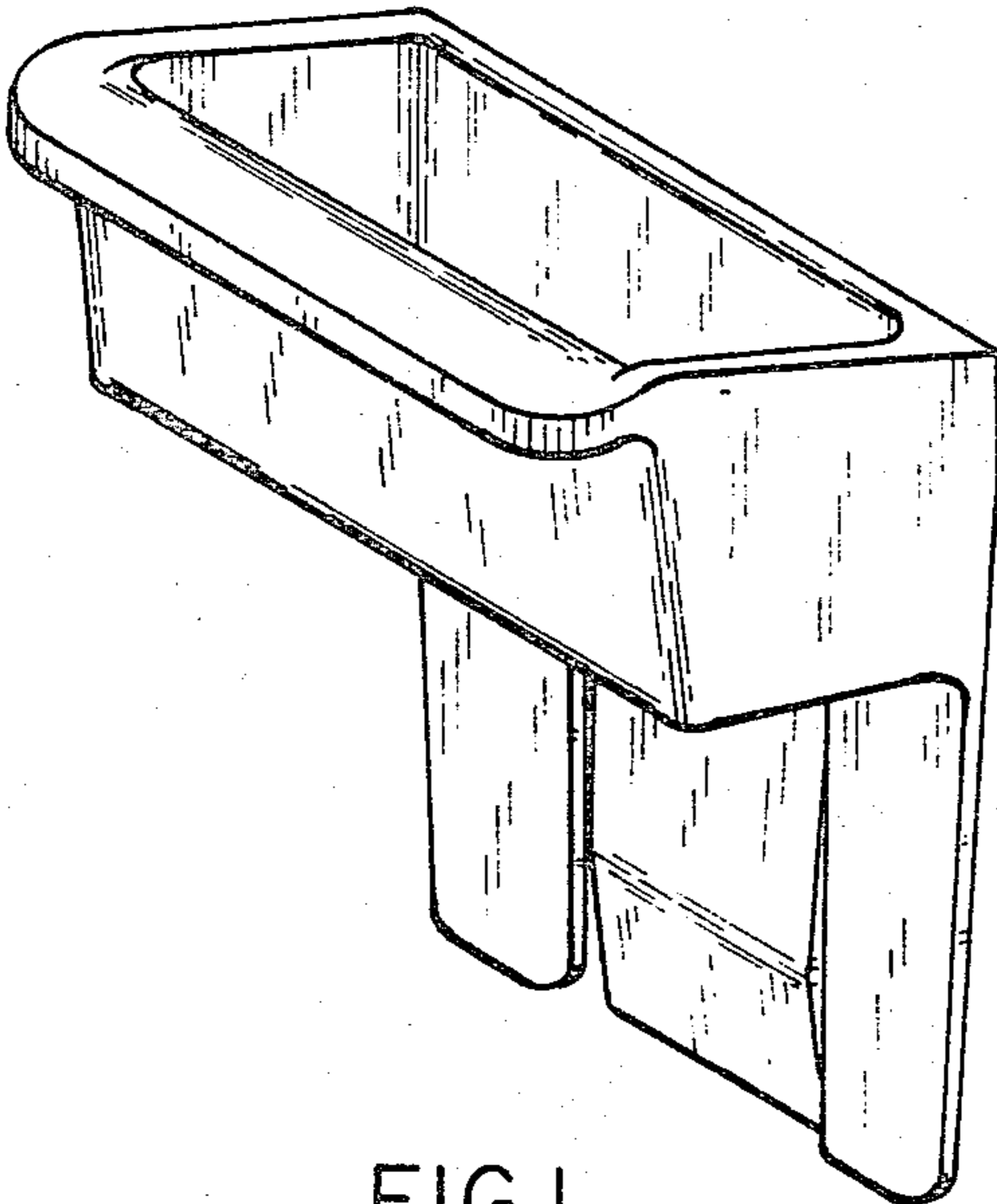


FIG. 1

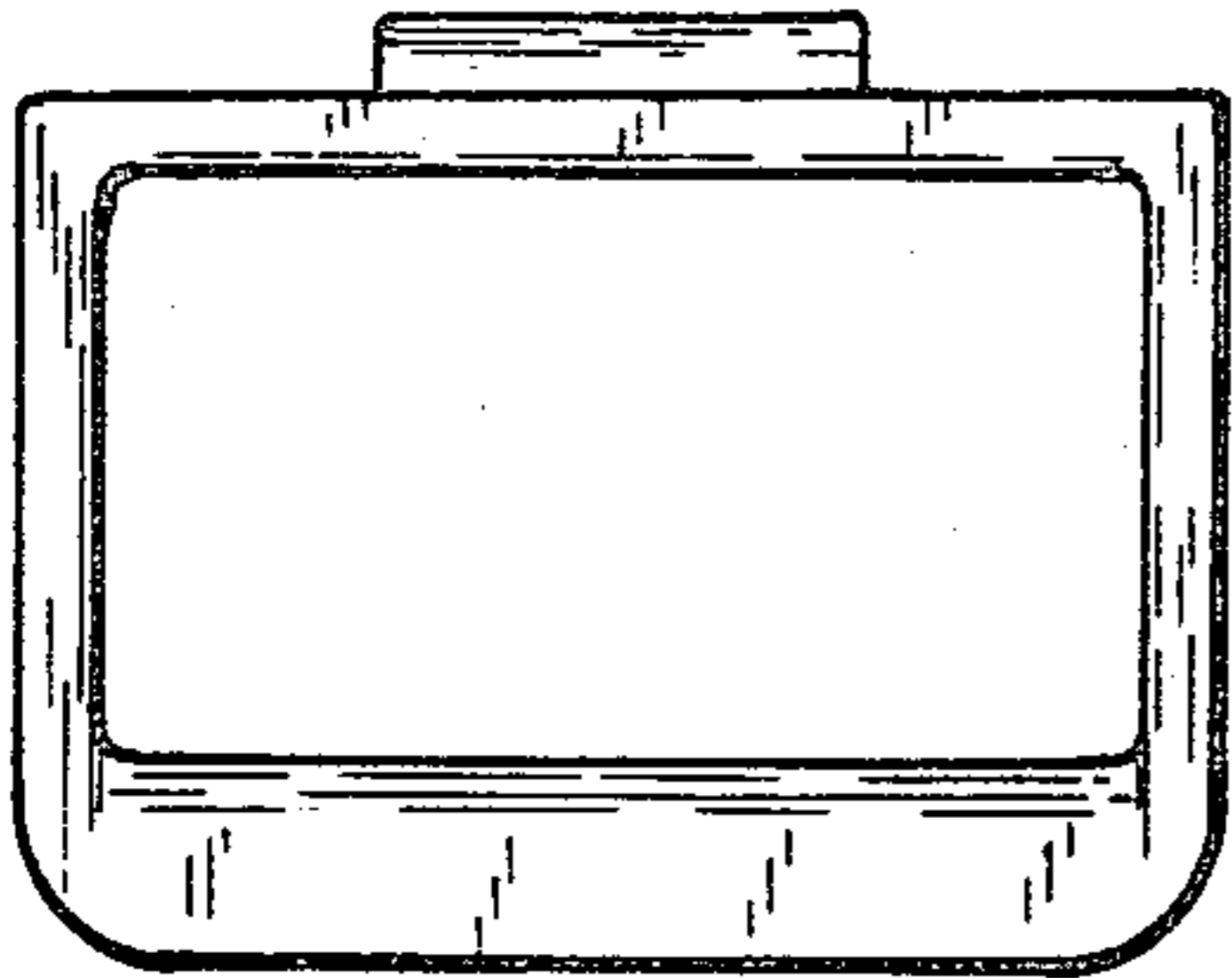


FIG. 2

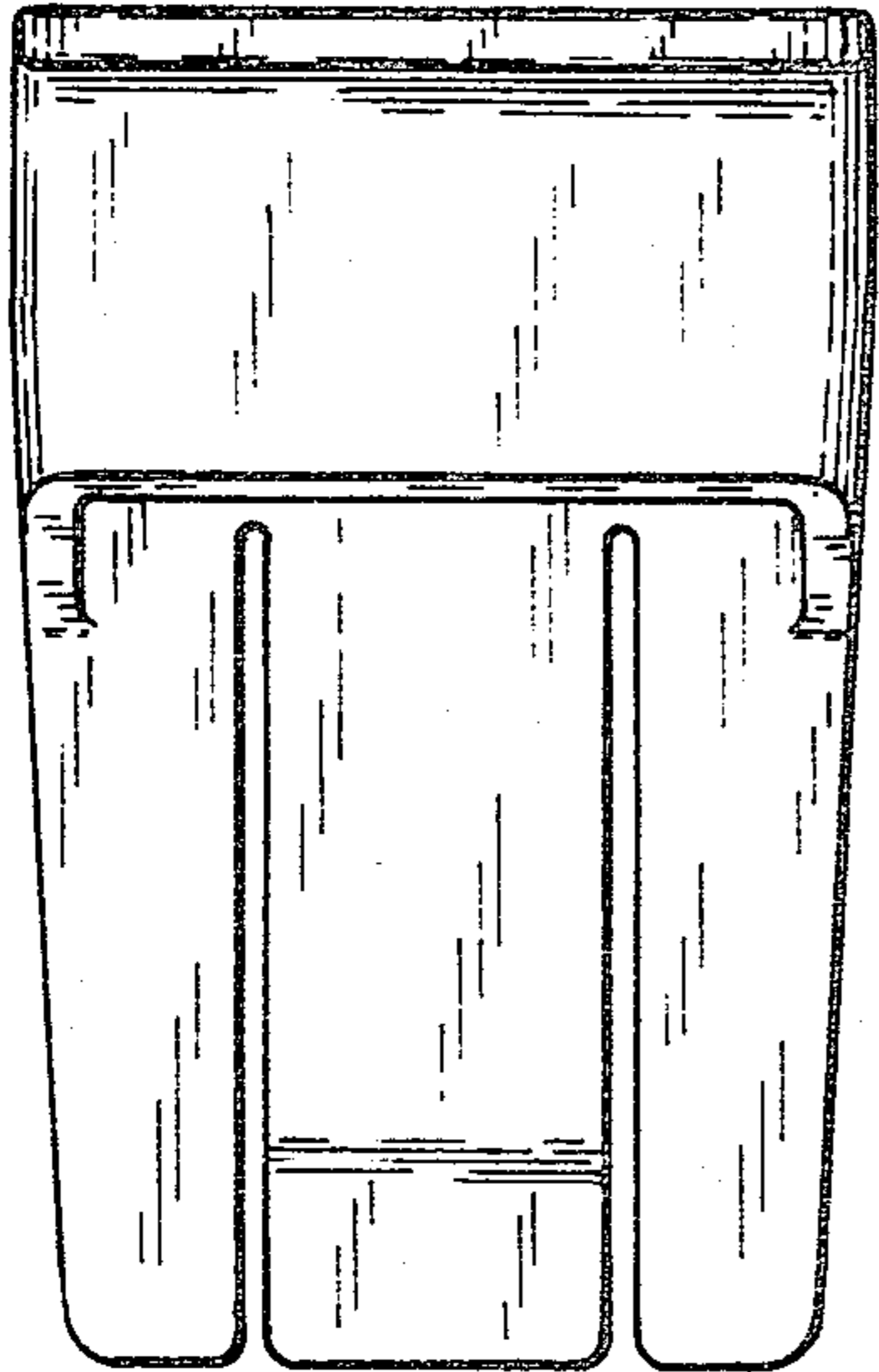


FIG. 3

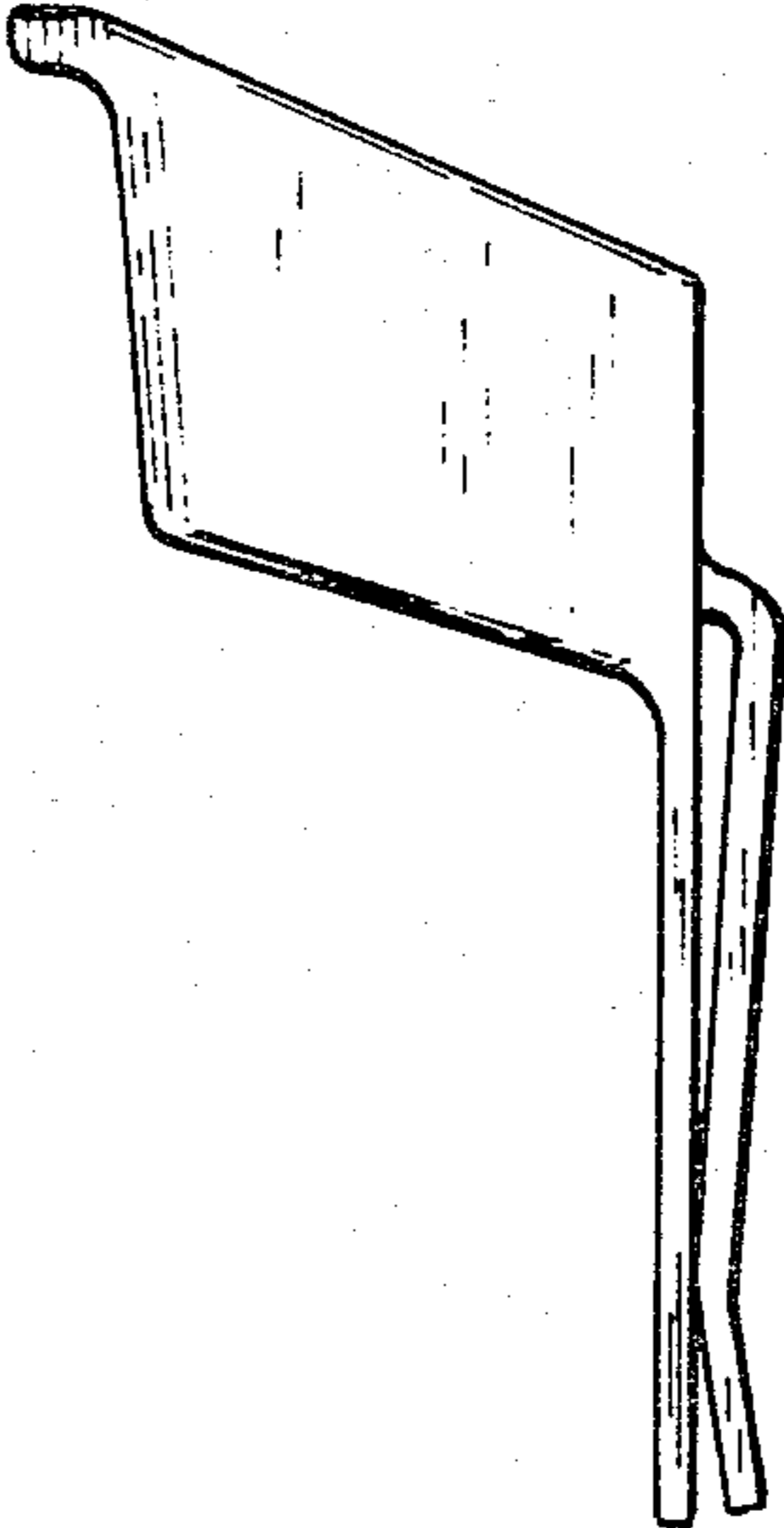


FIG. 4