

[54] SPECIMEN COIN CASE  
 [75] Inventor: Fred J. Povitz, Montreal, Canada  
 [73] Assignee: Corporation d'Emballage  
 Universel/Universal Package  
 Corporation, Mount Royal, Canada  
 [\*\*] Term: 14 Years  
 [21] Appl. No.: 553,890  
 [22] Filed: Nov. 21, 1983

[30] Foreign Application Priority Data  
 Sep. 21, 1983 [CA] Canada ..... 21-09-83-3  
 [52] U.S. Cl. .... D99/34  
 [58] Field of Search ..... D99/34, 28; D3/51, 35,  
 D3/66; 232/1 D; 133/6, 1 A; 229/92.9;  
 206/0.8, 0.81, 0.83, 0.84; D19/33

[56] References Cited  
 U.S. PATENT DOCUMENTS  
 D. 243,125 1/1977 Schnitzer ..... D99/34  
 D. 275,530 9/1984 Duckworth ..... D3/66 X  
 364,623 7/1887 Beidler ..... 206/472 X  
 2,954,866 10/1960 McDermut ..... 229/92.9

2,985,284 5/1961 Levy ..... 206/0.83  
 3,217,866 11/1965 Phelps ..... 206/0.83

FOREIGN PATENT DOCUMENTS

40024 12/1975 Canada .

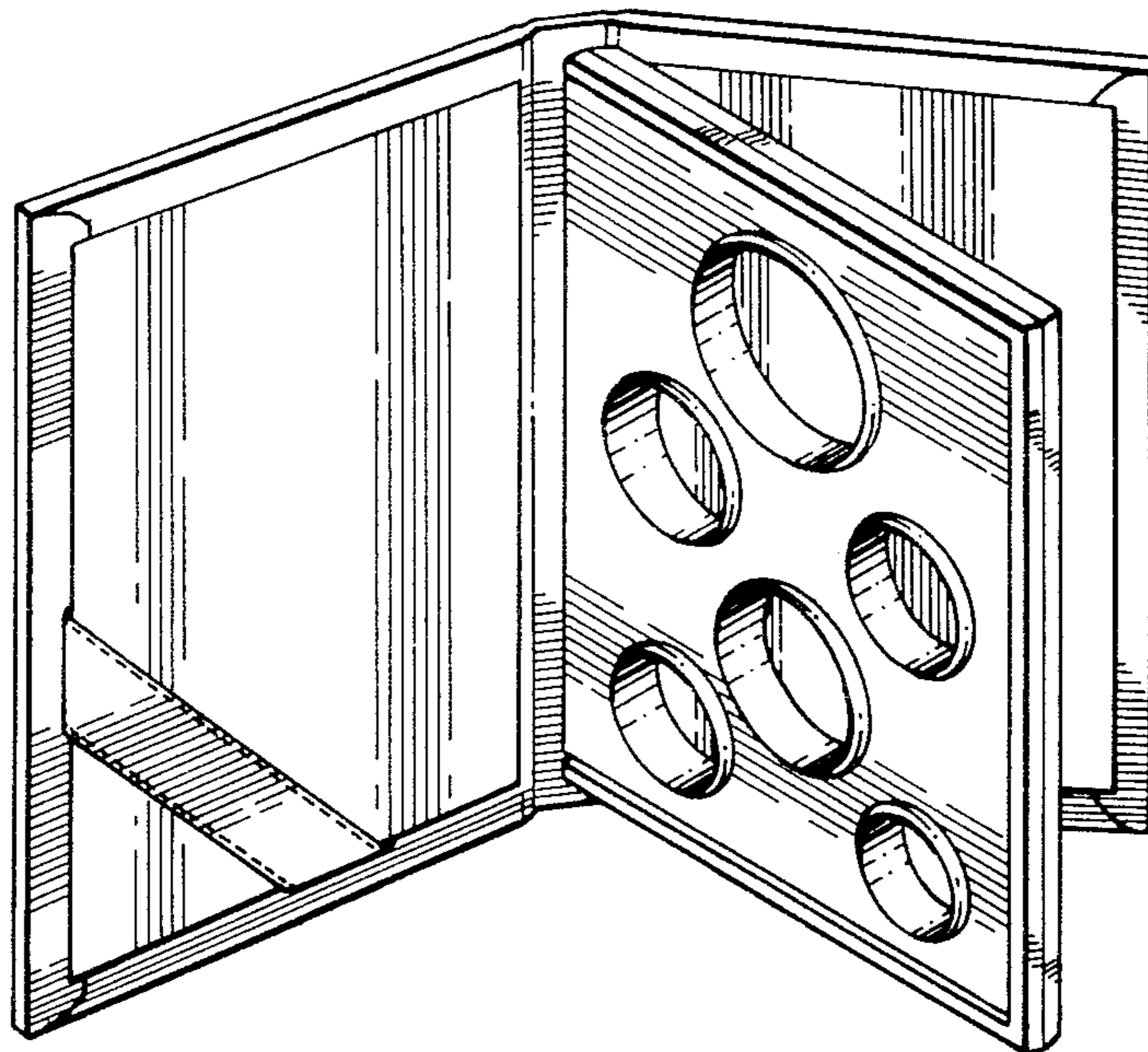
Primary Examiner—Nelson C. Holtje  
 Assistant Examiner—Terry Pfeffer  
 Attorney, Agent, or Firm—Stevens, Davis, Miller &  
 Mosher

[57] CLAIM

The ornamental design for a specimen coin case, as shown and described.

DESCRIPTION

FIG. 1 is a top, front, right side perspective view of a specimen coin case showing my new design;  
 FIG. 2 is a top plan view thereof;  
 FIG. 3 is a bottom plan view thereof;  
 FIG. 4 is a left side elevational view thereof;  
 FIG. 5 is a front elevational view thereof, the opposite side being a mirror image;  
 FIG. 6 is a right side elevational view thereof; and  
 FIG. 7 is a perspective view thereof, shown in an open position.



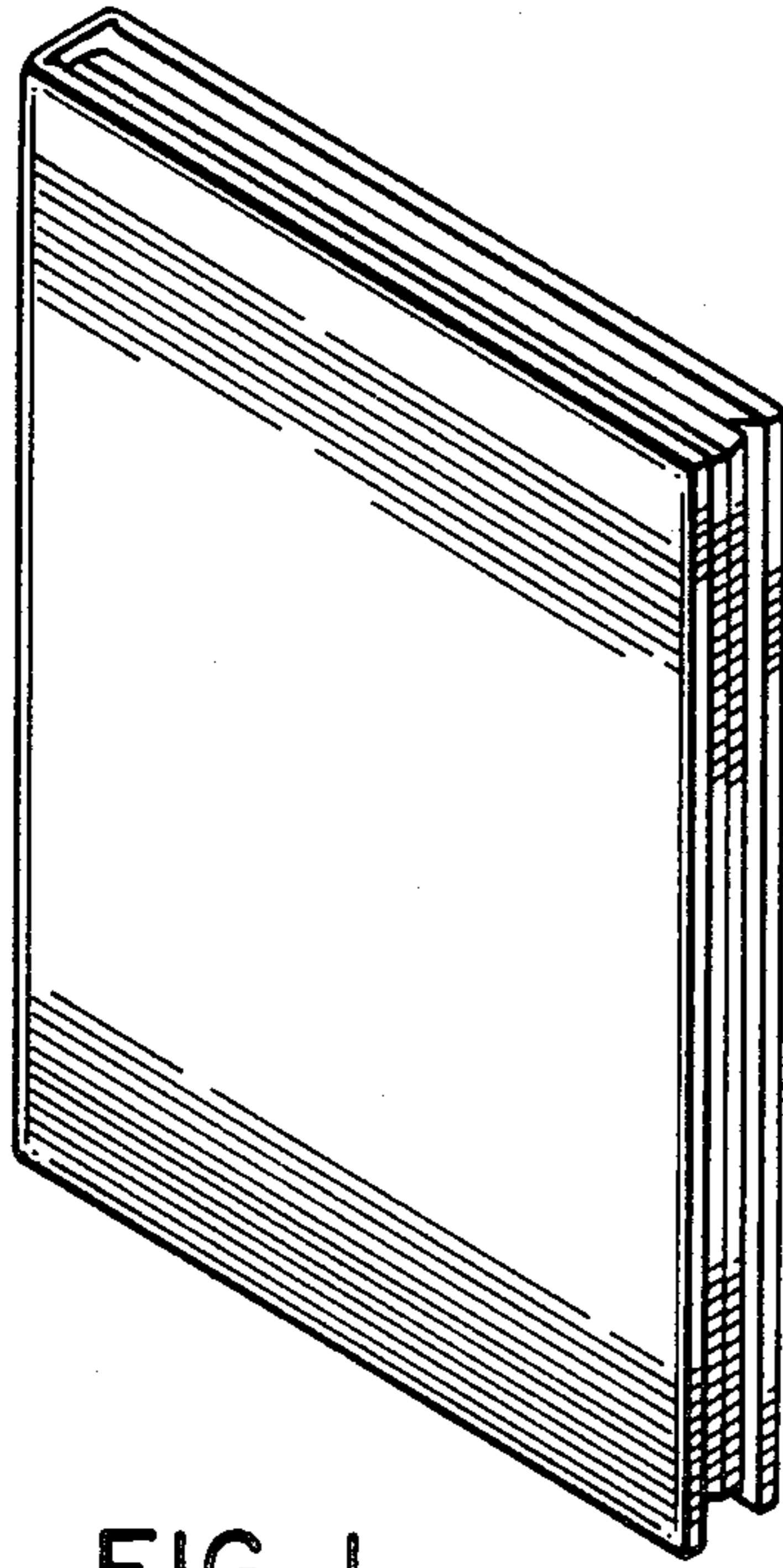


FIG. 1

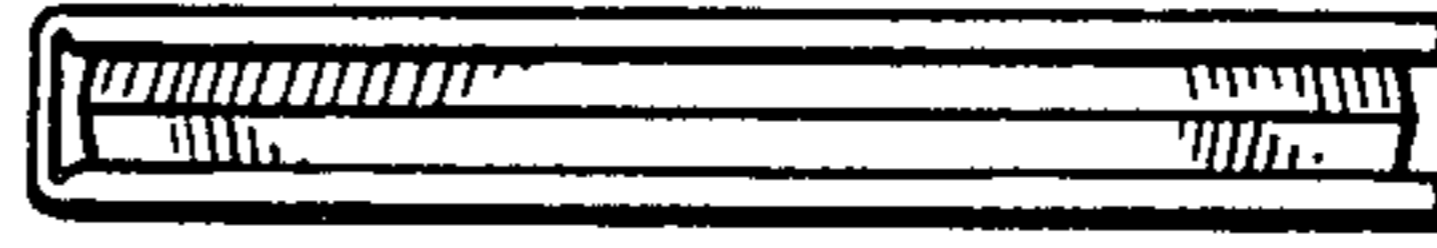


FIG. 2

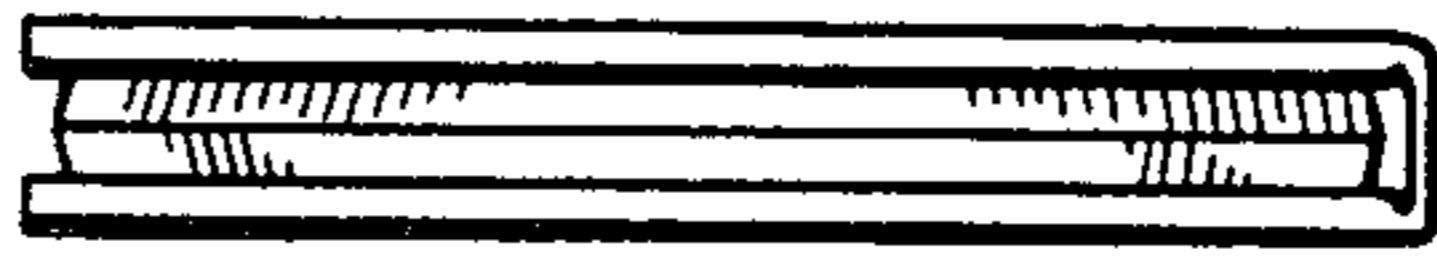


FIG. 3

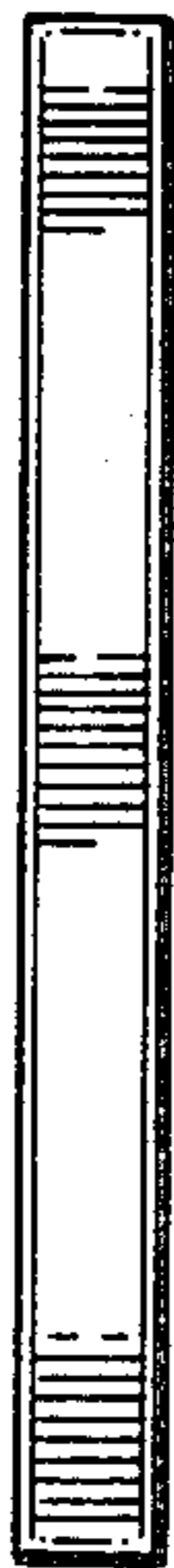


FIG. 4

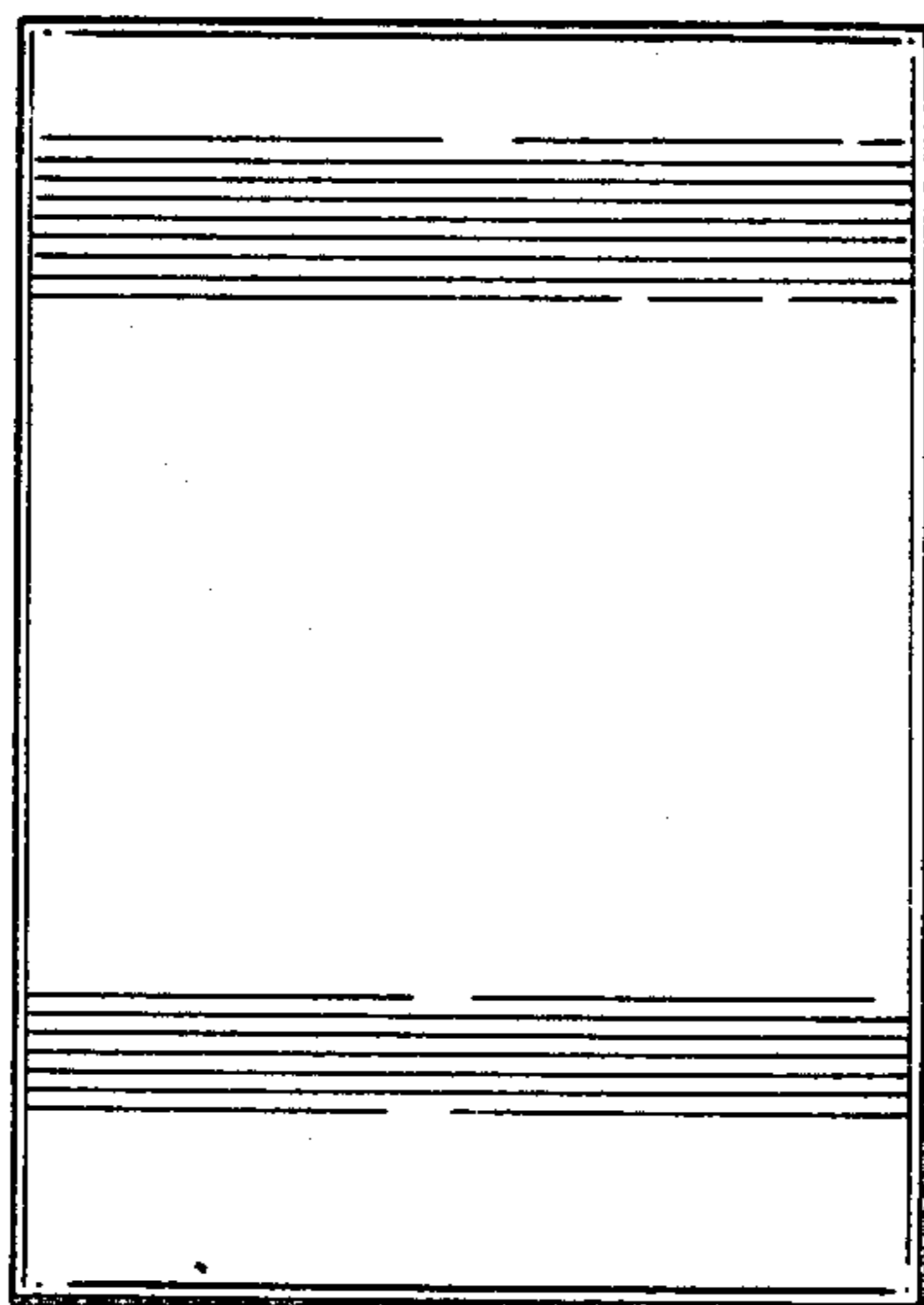


FIG. 5

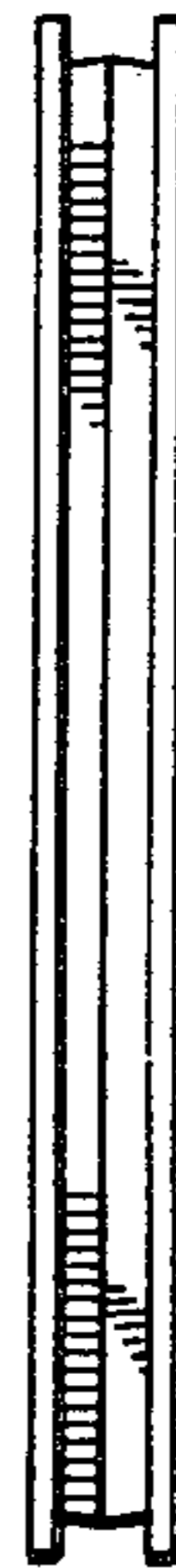


FIG. 6

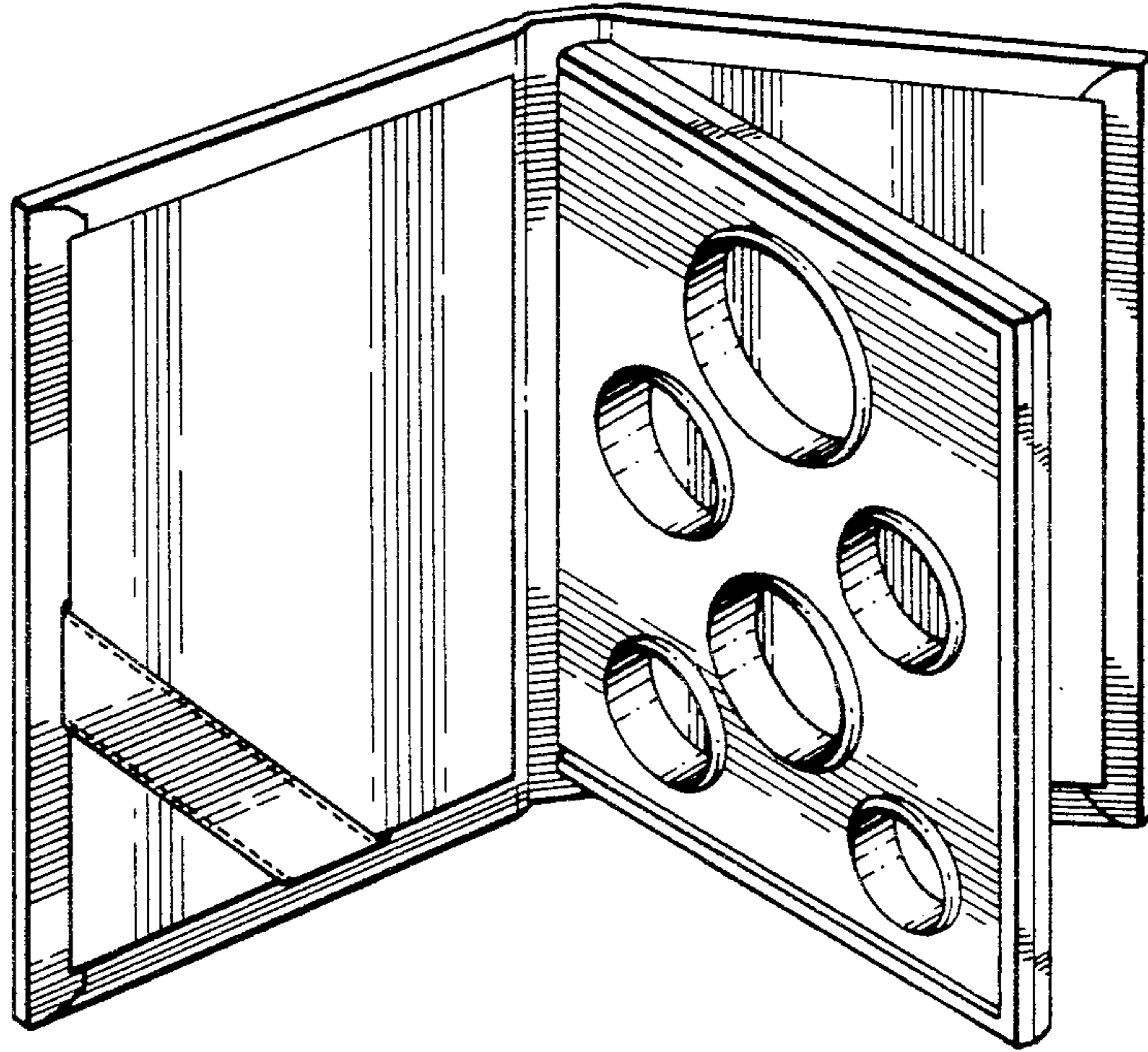


FIG. 7