

[54] LOG FEEDER

[76] Inventor: Albert H. Hauser, 3643 Dozier Rd., Pfafftown, N.C. 27040

[\*\*] Term: 14 Years

[21] Appl. No.: 498,817

[22] Filed: May 27, 1983

[52] U.S. Cl. .... D34/28

[58] Field of Search ..... D23/138.5, 138.4, 138.2; D34/28, 29, 32; 193/1, 2 R, 38; 110/267, 292, 327, 101 R; 126/283, 298; 414/586, 147, 160, 199

[56] References Cited

U.S. PATENT DOCUMENTS

137,584	4/1873	Wilson	108/44
D. 270,756	9/1983	Brown	D23/138.5
1,224,590	5/1917	Armstrong	126/283
1,789,885	1/1931	Skinner	D34/32 X

1,891,311	12/1932	Hord	126/283
4,136,762	1/1979	Rosinbaum et al.	193/2 R X
4,339,998	7/1982	Finch	110/186

FOREIGN PATENT DOCUMENTS

2515789	5/1983	France	126/283
---------	--------	--------	---------

Primary Examiner—Catherine E. Kemper  
Attorney, Agent, or Firm—Norman B. Rainer

[57] CLAIM

The ornamental design for a log feeder, substantially as shown and described.

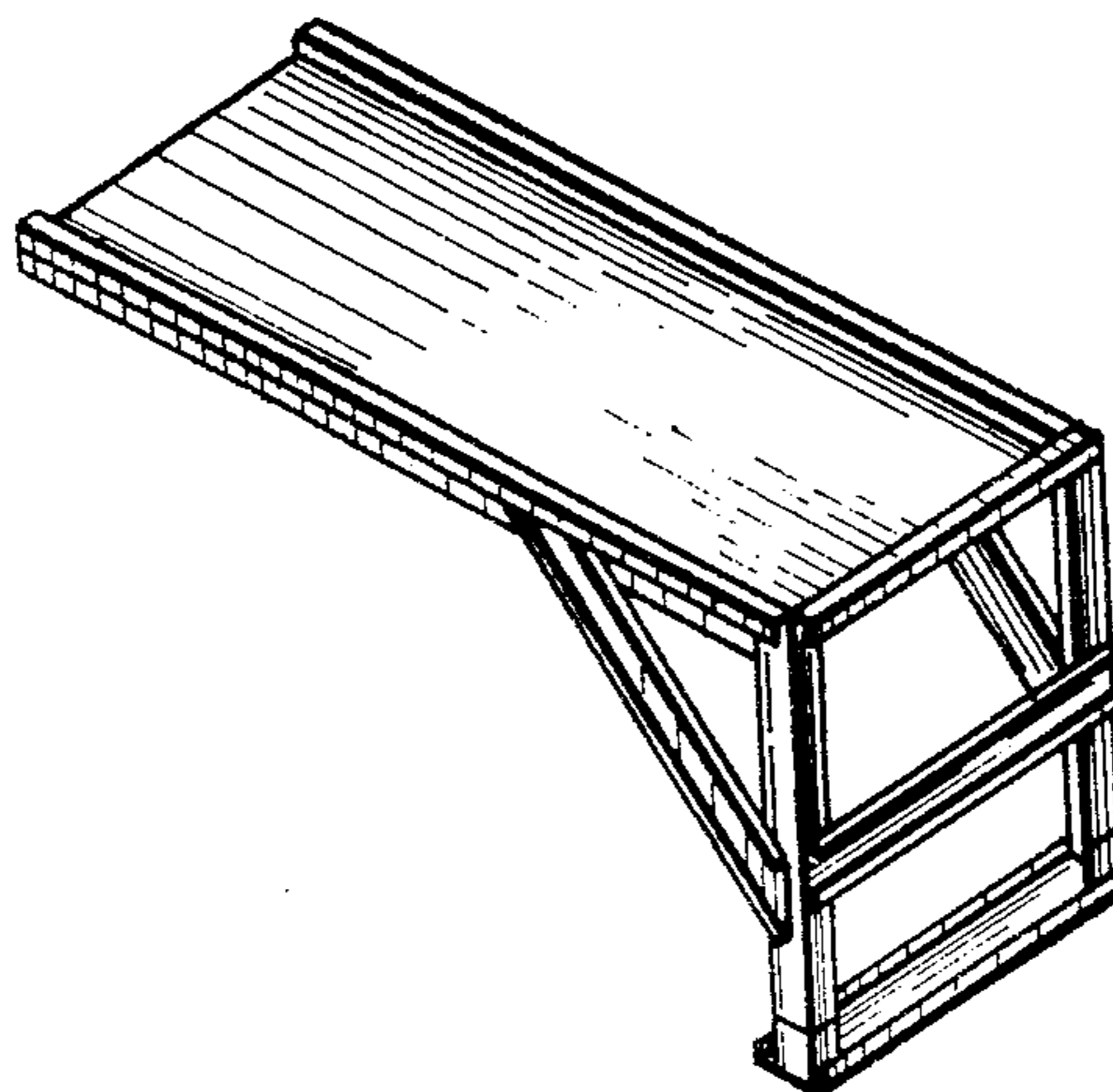
DESCRIPTION

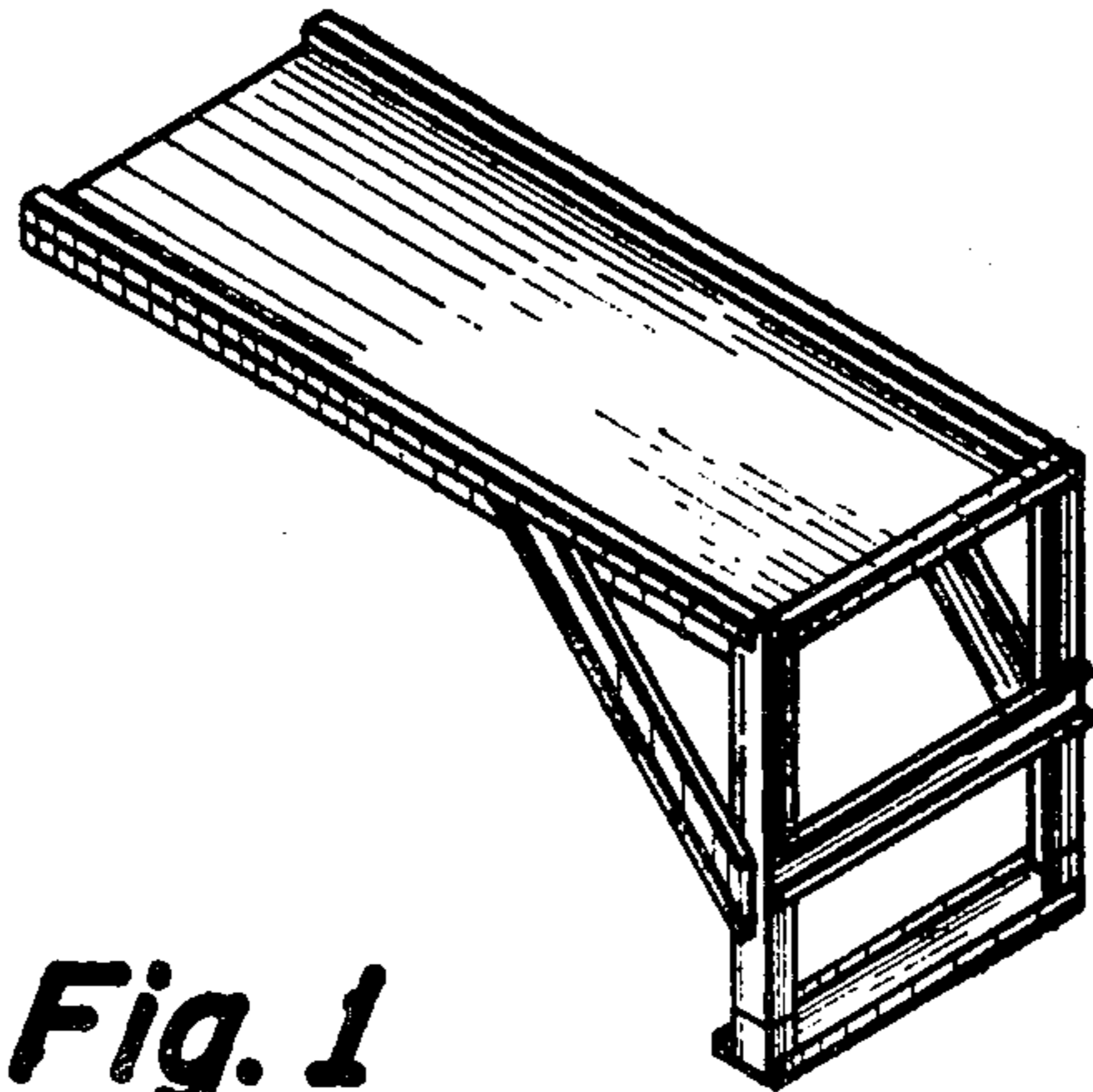
FIG. 1 is a perspective view of a log feeder, showing my new design;

FIG. 2 is a side view thereof, the opposite side being substantially identical.

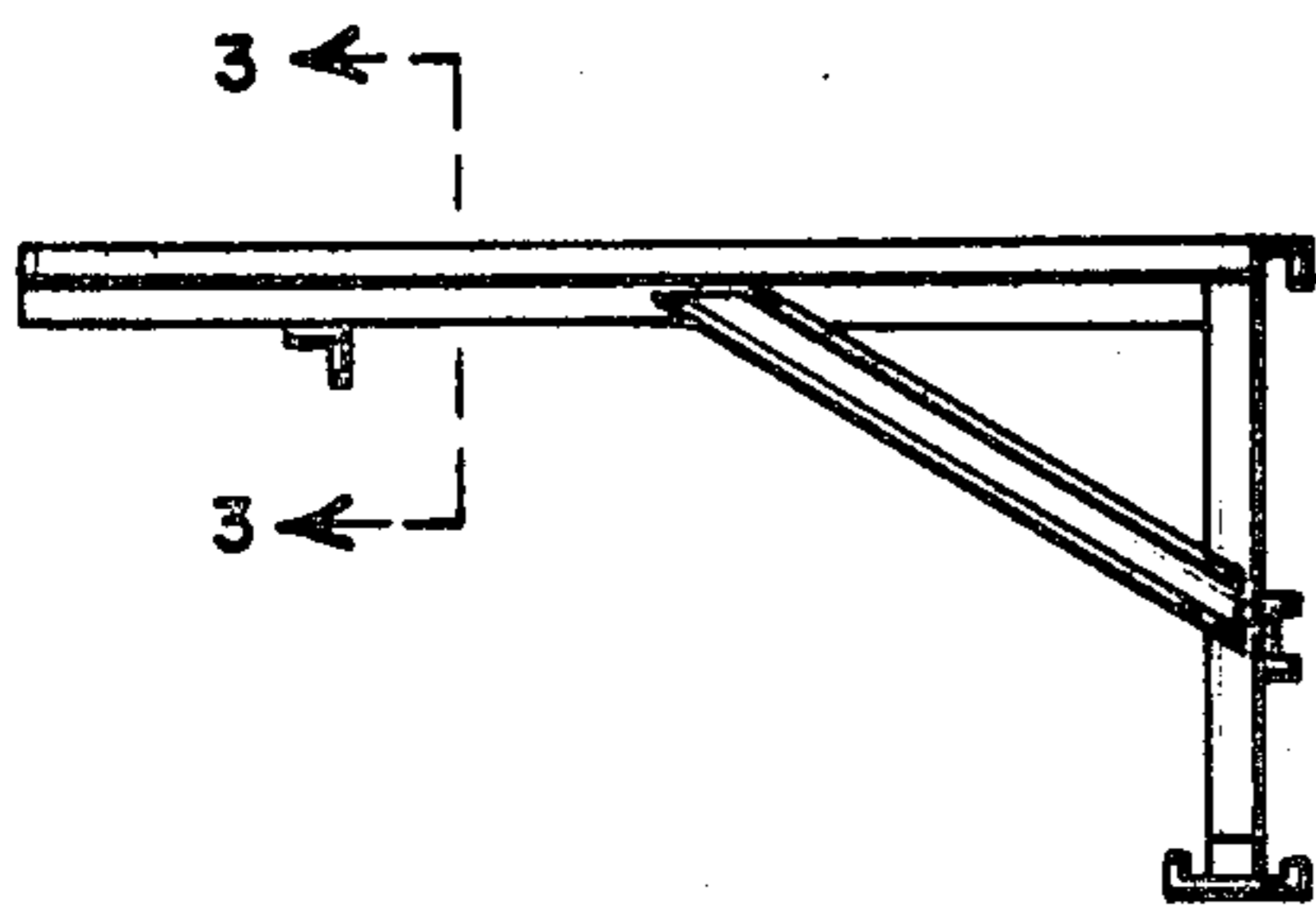
FIG. 3 is a sectional view thereof, taken along the line 3—3 of FIG. 2.

FIG. 4 is an end elevational view thereof.





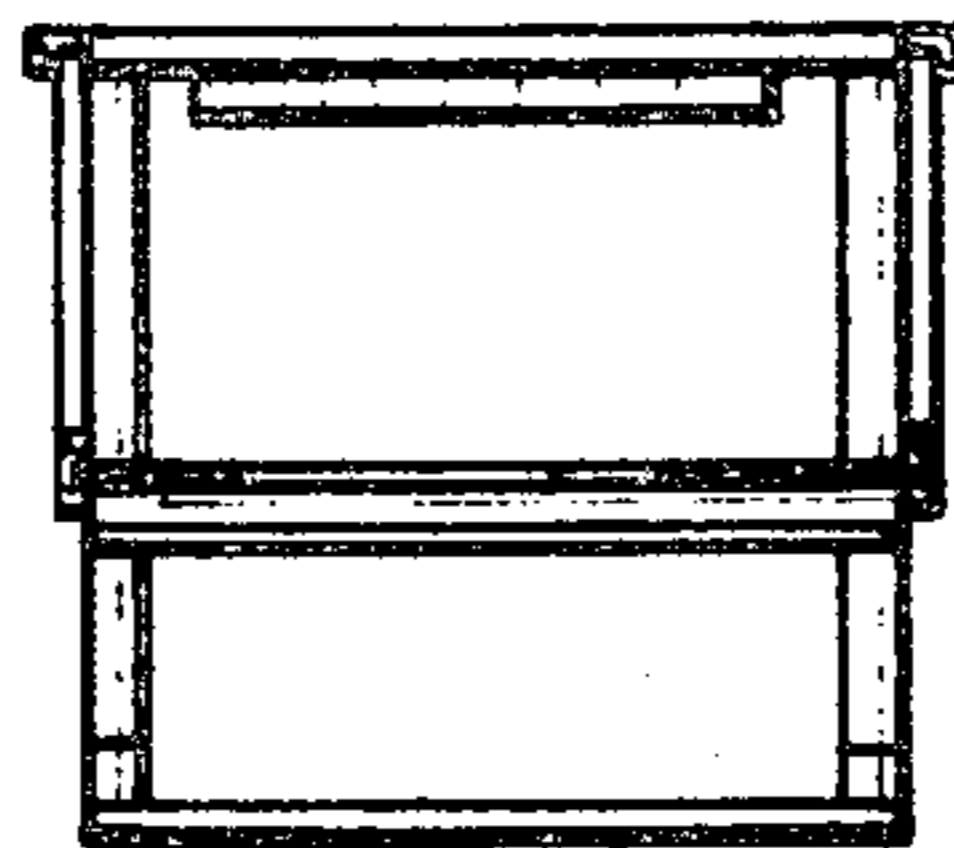
**Fig. 1**



**Fig. 2**



**Fig. 3**



**Fig. 4**