

[54] **LIGHTER**

[75] **Inventor: Sadao Yoshinaga, Chiba, Japan**

[73] **Assignee: Banning Enterprises, Ltd., Bellmore, N.Y.**

[**] **Term: 14 Years**

[21] **Appl. No.: 584,801**

[22] **Filed: Feb. 29, 1984**

[30] **Foreign Application Priority Data**

Oct. 17, 1983 [JP] Japan 58-44969

[52] **U.S. Cl. D27/41**

[58] **Field of Search D27/36, 38, 39, 40, D27/41, 42, 51; D9/300, 331; 431/124-144, 154, 156, 253-256, 273, 274, 343**

[56] **References Cited**

U.S. PATENT DOCUMENTS

D. 158,445	5/1950	Cotter	D9/331
D. 229,966	1/1974	Lockwood	D27/42
D. 254,151	2/1980	Wolff	D27/38
D. 272,564	2/1984	Racek	D27/42
3,814,572	6/1974	Nitta	431/254

OTHER PUBLICATIONS

Skin Diver, 7/1982, p. 104, Sherwood Scuba Tank, located bottom of page.

Prior Art of a Lighter, 1983, Japanese Application No. 7485/1983.

Primary Examiner—B. J. Bullock

Assistant Examiner—Suzanne Gitlin

Attorney, Agent, or Firm—Frishauf, Holtz, Goodman & Woodward

[57] **CLAIM**

The ornamental design for lighter, as shown.

DESCRIPTION

FIG. 1 is a perspective view of a lighter showing my new design;

FIG. 2 is a front elevational view thereof;

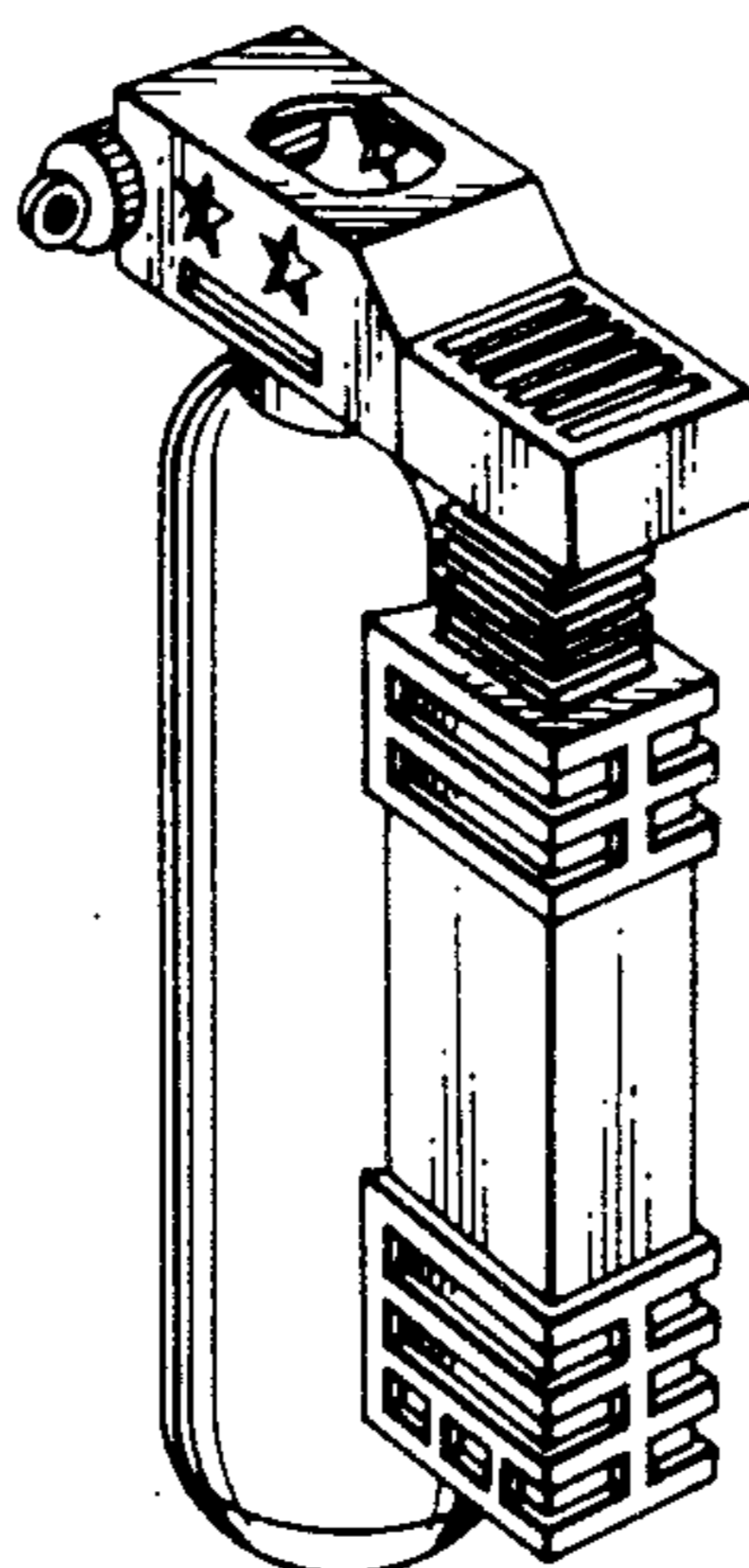
FIG. 3 is a rear elevational view thereof;

FIG. 4 is a side elevational view taken from the right side of FIG. 1;

FIG. 5 is a side elevational view taken from the left side of FIG. 1;

FIG. 6 is a top plan view thereof;

FIG. 7 is a bottom plan view thereof.



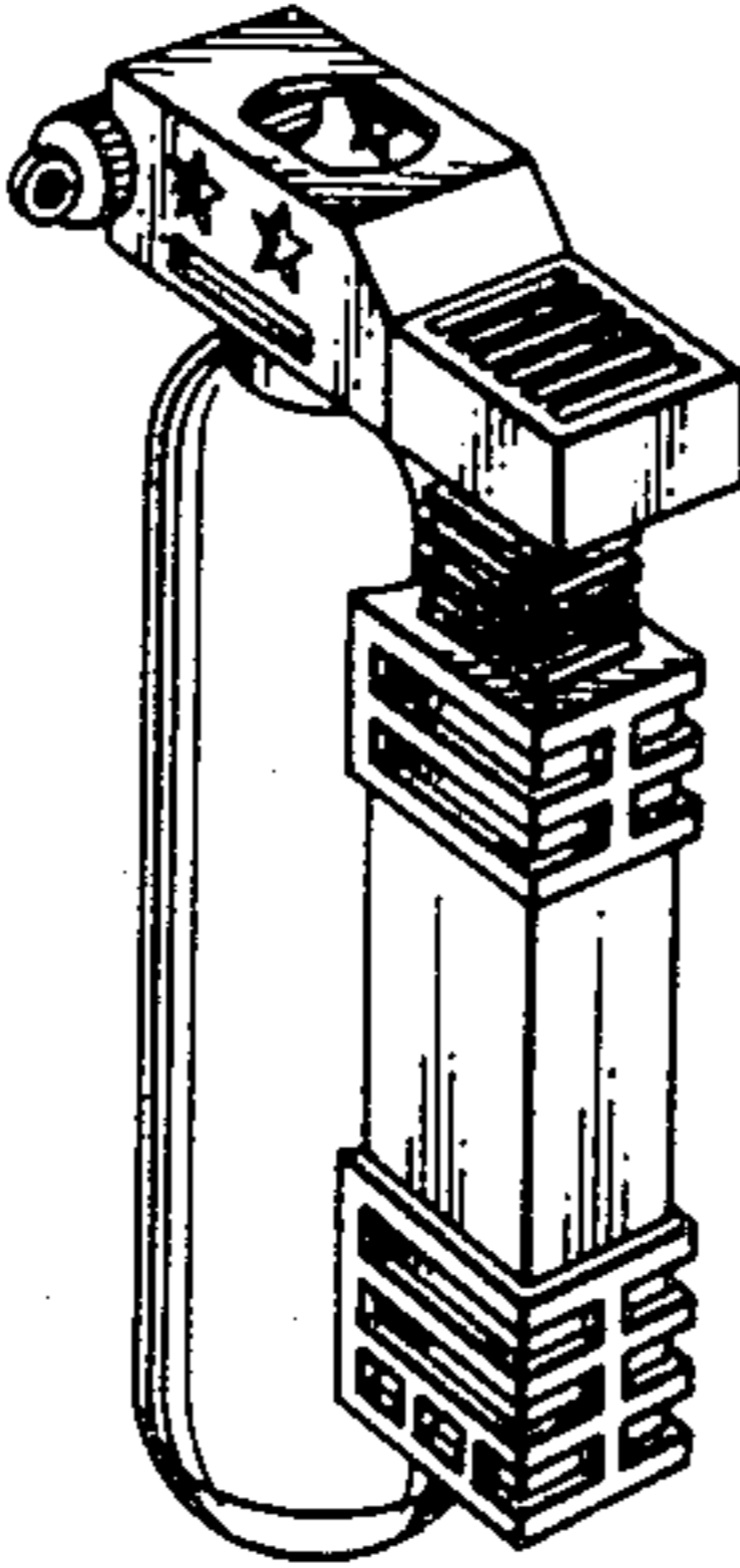


FIG. 1

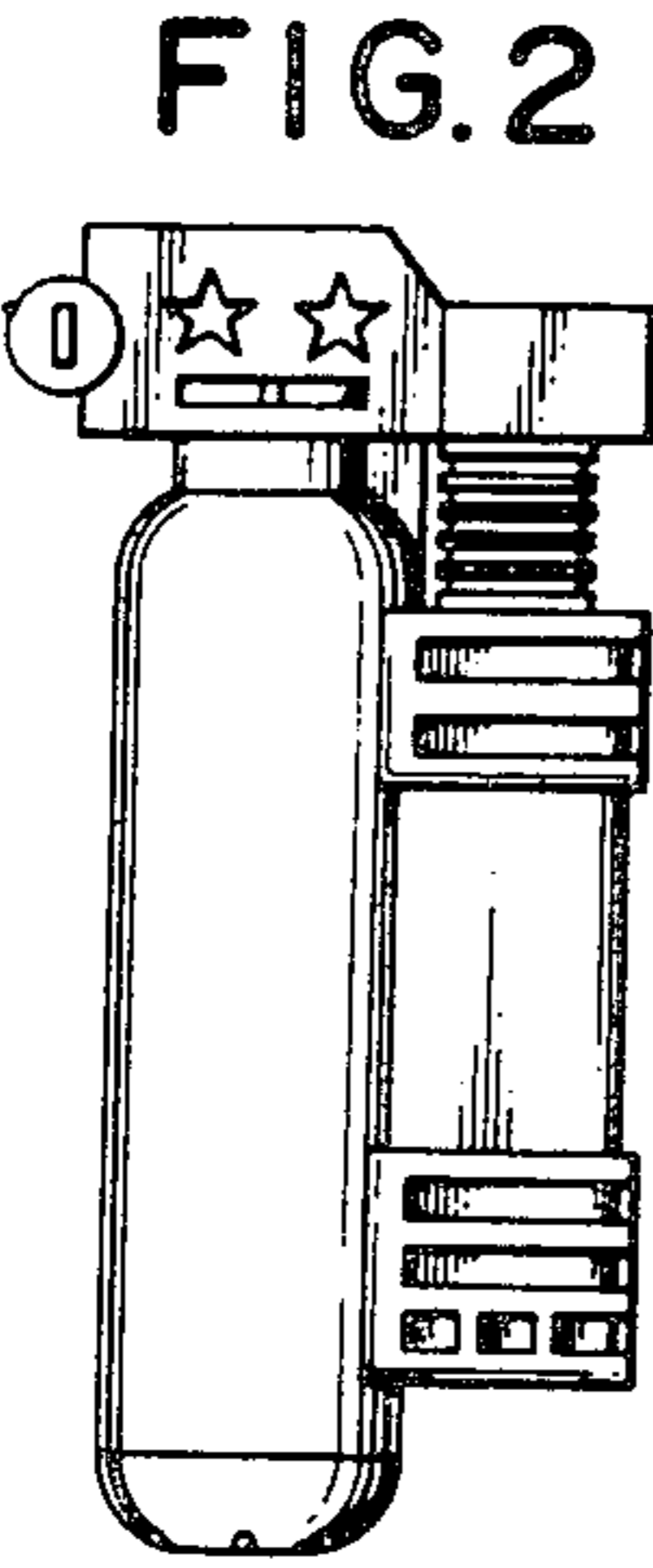


FIG. 2

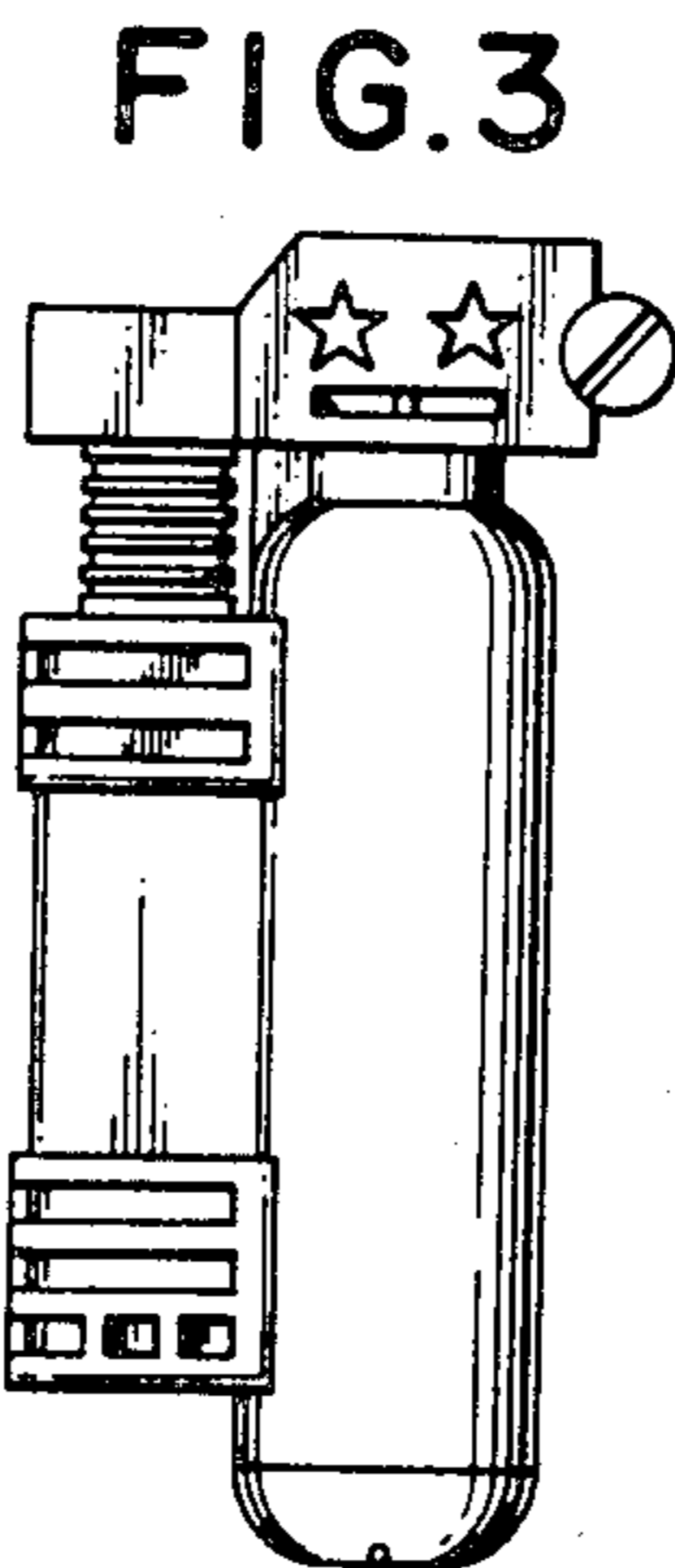


FIG. 3

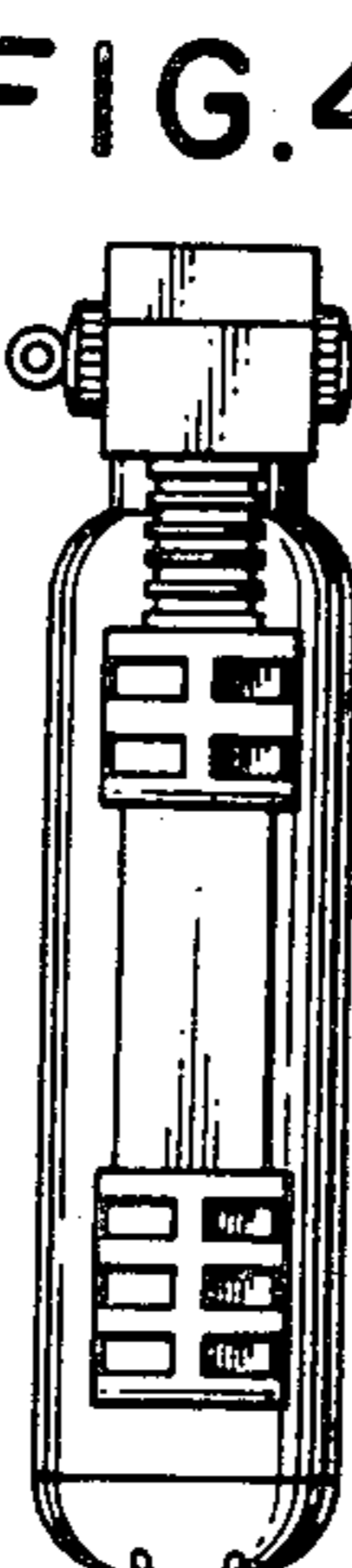


FIG. 4

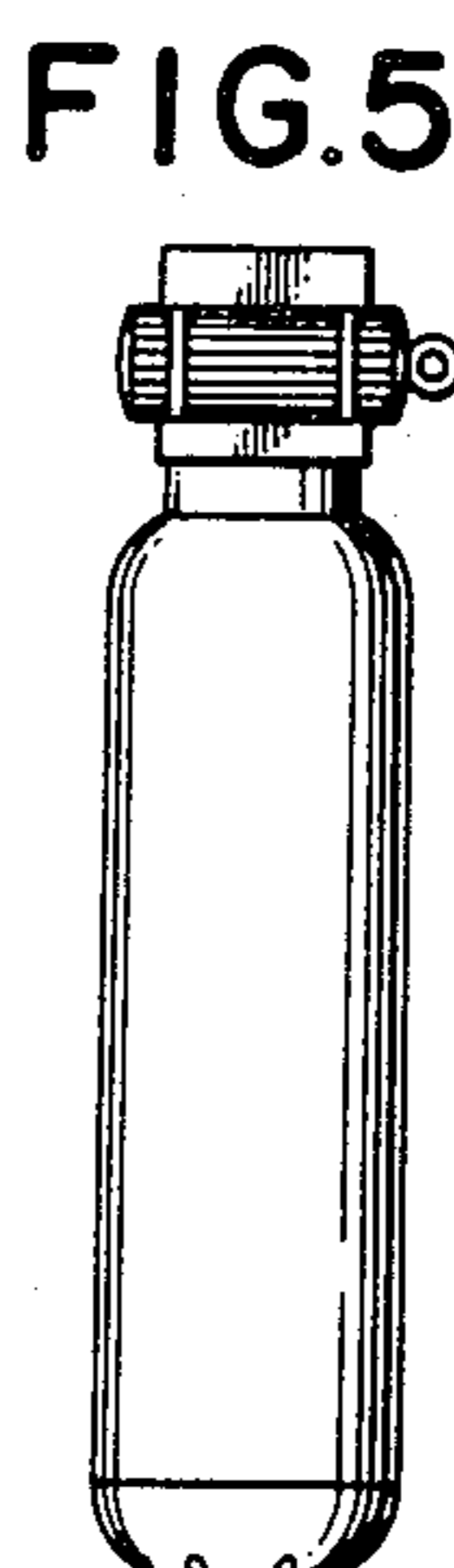


FIG. 5

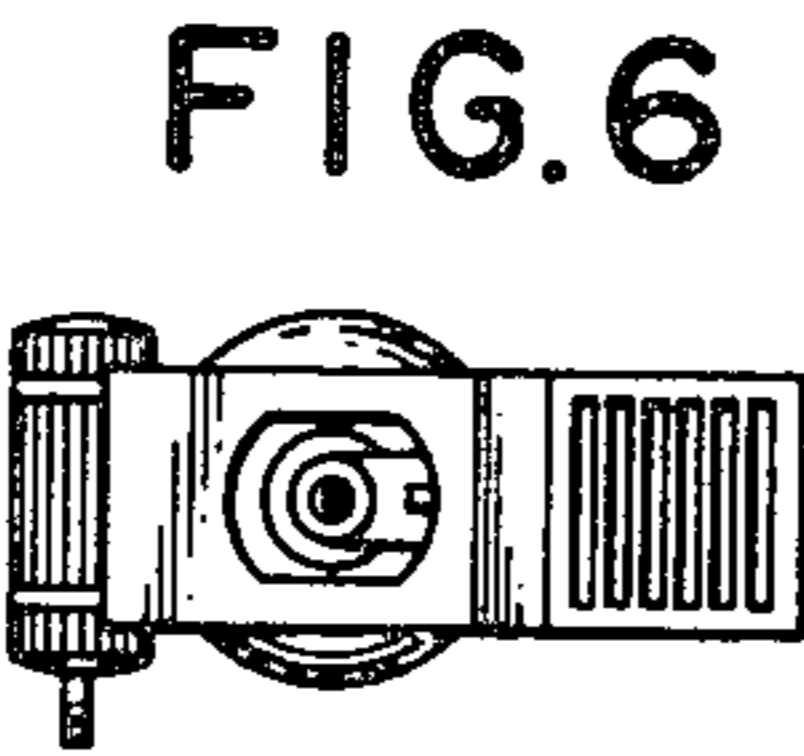


FIG. 6

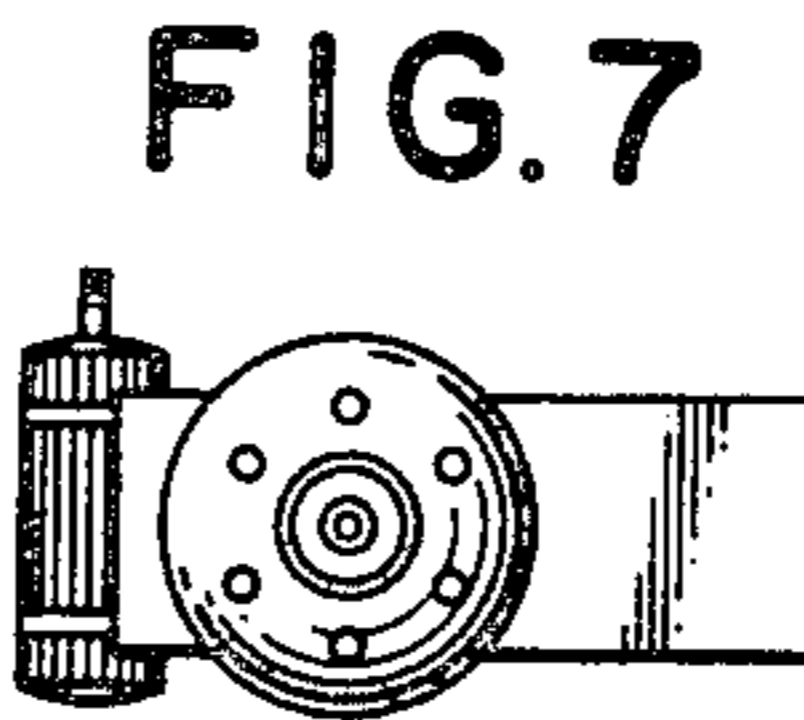


FIG. 7