

[54] SPOT LAMP

2,220,145 11/1940 Cooke 313/315 X

[75] Inventors: William Thiry; Arnold E. Westlund, Jr.; Clarence D. Puckett, all of Winchester, Ky.

[73] Assignee: GTE Products Corporation, Stamford, Conn.

[**] Term: 14 Years

[21] Appl. No.: 524,480

[22] Filed: Aug. 18, 1983

[52] U.S. Cl. D26/2

[58] Field of Search D26/1, 2, 3, 24, 26; 362/326-341, 346-349, 297, 307, 309, 310, 311; 313/315, 318, 113, 110, 114, 116

[56] References Cited

U.S. PATENT DOCUMENTS

D. 38,741	8/1907	Booth	362/327 X
D. 163,312	5/1951	Morgenstern	D26/36
D. 184,364	2/1959	Mappes	D26/36
1,751,070	3/1930	Boots et al.	362/347 X
2,004,443	6/1935	Kovac	362/327 X

OTHER PUBLICATIONS

G. E. Lamp Catalog, Form 9200, 1980, p. 38, Lamp Par-38, Clear.

Primary Examiner—Susan J. Lucas
Attorney, Agent, or Firm—Lawrence R. Fraley

[57] CLAIM

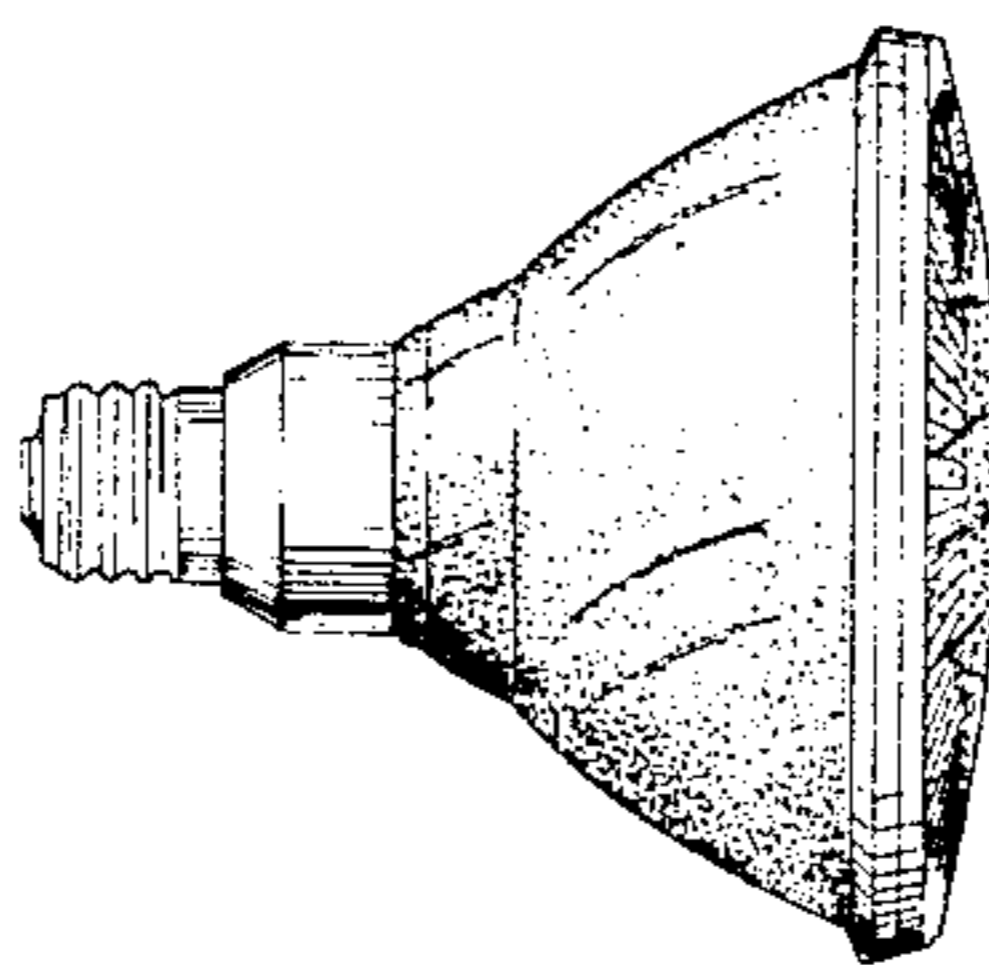
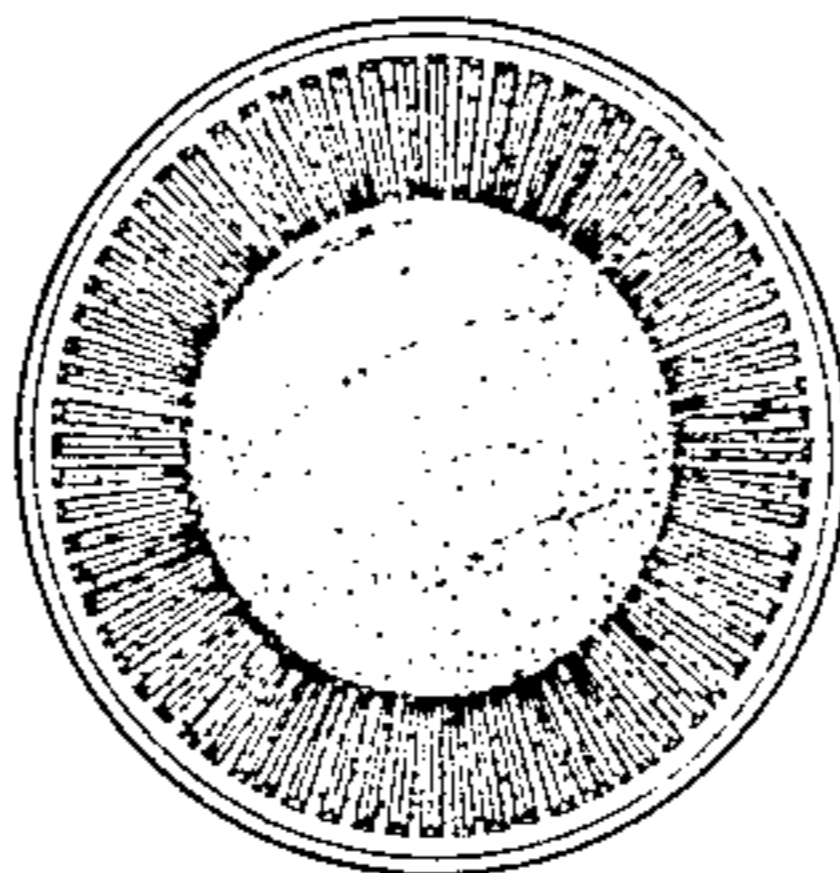
The ornamental design for a spot lamp, as shown and described.

DESCRIPTION

FIG. 1 is a front elevational view of a spot lamp with radially fluted lens, illustrating our new design; FIG. 2 is a rear elevational view thereof; and FIG. 3 is a side view thereof.

The opposite side and bottom are substantially identical to the side shown in FIG. 3.

The characteristic feature of our design resides in the annular ring of radial flutes located on the interior surface of the front lens. The outer surface of the lens is smooth and the entire interior surface, including the radial flutes, is stippled.



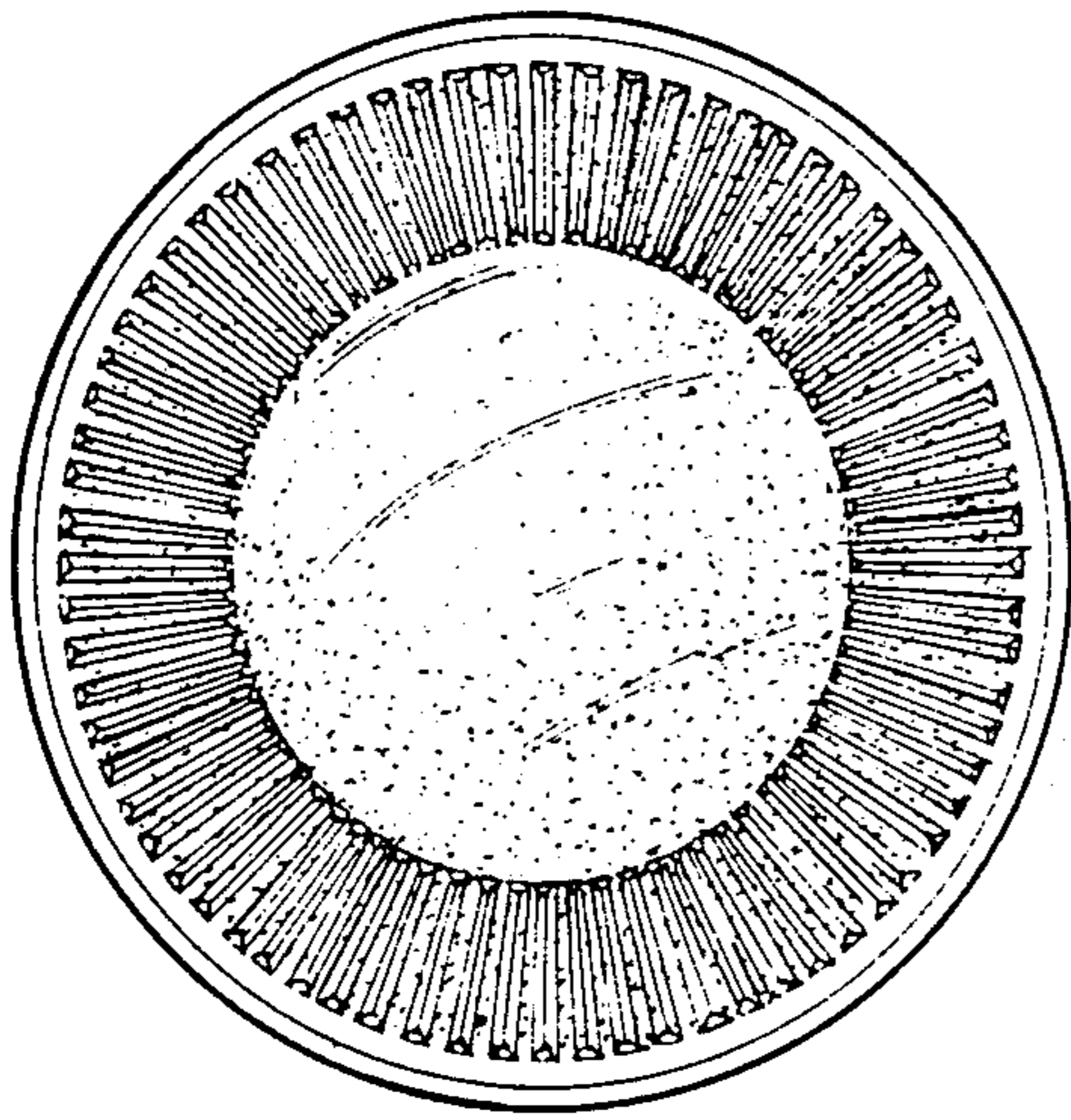


FIG. 1

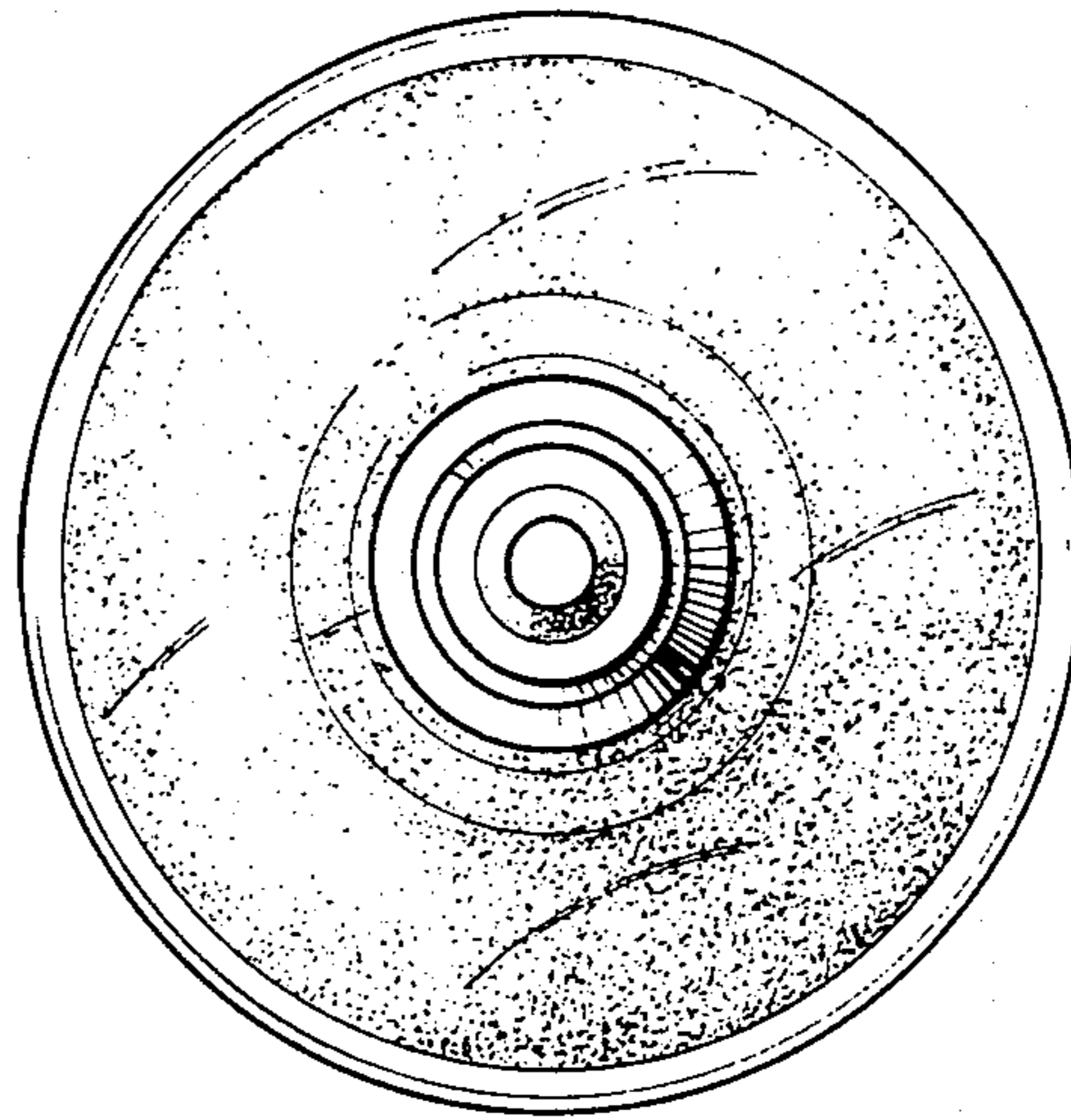


FIG. 2

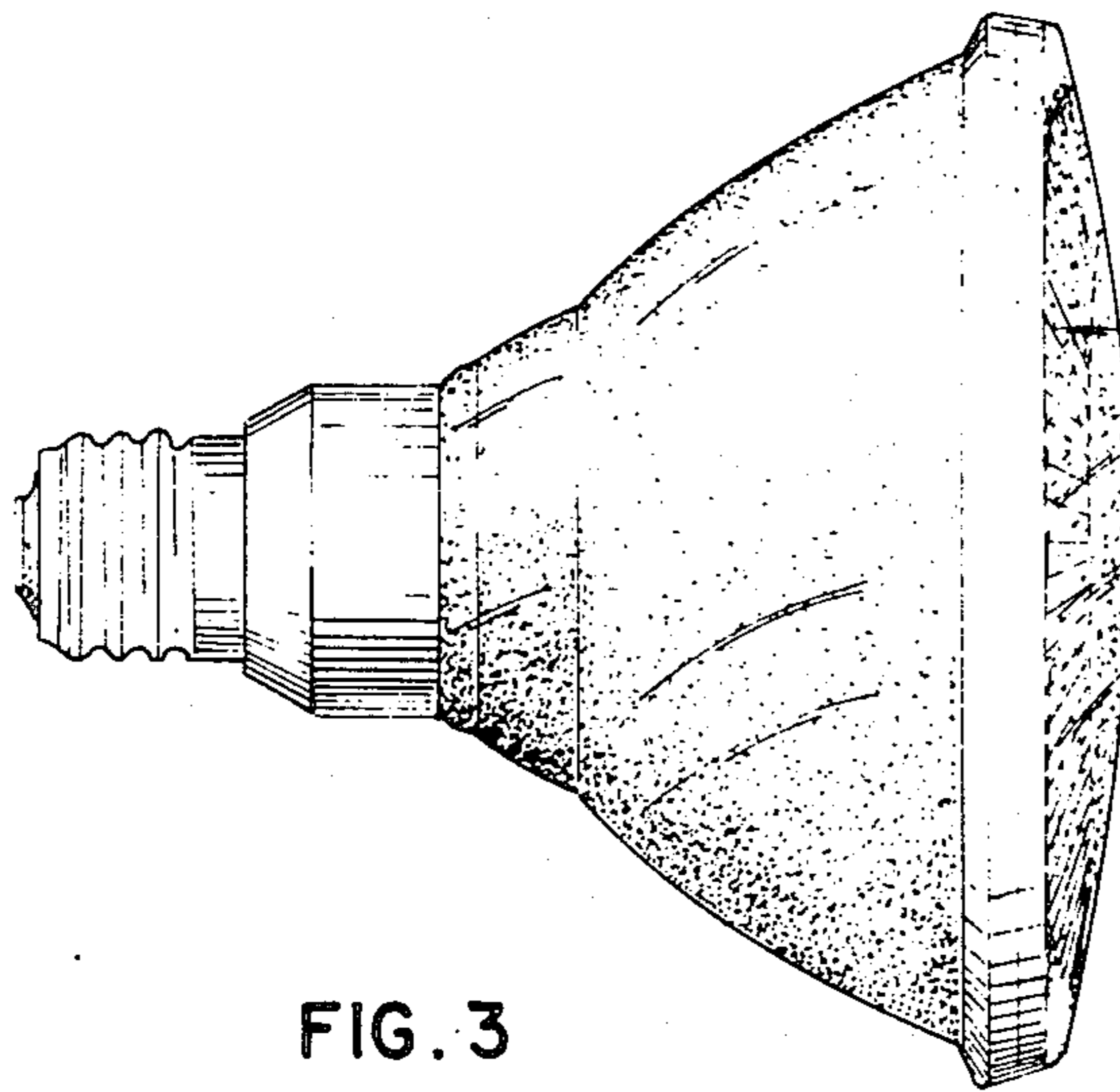


FIG. 3