

United States Patent [19]

Nakamura

[11] Patent Number: **Des. 284,787**

[45] Date of Patent: **** Jul. 22, 1986**

[54] **ELECTRIC RADIANT HEATER**
 [75] Inventor: **Kazuharu Nakamura**, Nagoya, Japan
 [73] Assignee: **Toyotomi Kogyo Co., Ltd.**, Aichi, Japan
 [**] Term: **14 Years**
 [21] Appl. No.: **549,710**
 [22] Filed: **Nov. 8, 1983**
 [30] **Foreign Application Priority Data**

May 19, 1983 [JP] Japan 58-21237
 [52] **U.S. Cl.** **D23/123**
 [58] **Field of Search** D23/72, 92, 93, 109-111, D23/112, 117, 118, 122-124; 219/342, 343, 347, 354

[56] **References Cited**
U.S. PATENT DOCUMENTS
 D. 267,424 12/1982 Boldt et al. D23/122
 D. 267,971 2/1983 Harrison D23/123
 D. 268,953 5/1983 Kerchner, Jr. D23/123
 D. 271,132 10/1983 Boldt et al. D23/123

D. 276,258 11/1984 Glucksman D23/123
 3,867,948 2/1975 Kallenborn 219/354 X

FOREIGN PATENT DOCUMENTS

573474 3/1982 Japan .
 604275 7/1983 Japan .
 604312 7/1983 Japan .
 604464 7/1983 Japan .

Primary Examiner—Catherine E. Kemper
Attorney, Agent, or Firm—Pollock, Vande Sande & Priddy

[57] CLAIM

The ornamental design for an electric radiant heater, substantially as shown and described.

DESCRIPTION

FIG. 1 is a front elevational view of an electric radiant heater, showing my new design;
 FIG. 2 is a right side elevational view thereof;
 FIG. 3 is a rear elevational view thereof;
 FIG. 4 is a left side elevational view thereof; and
 FIG. 5 is a top plan view thereof.
 The bottom surface of the electric radiant heater is substantially planar and unornamental.

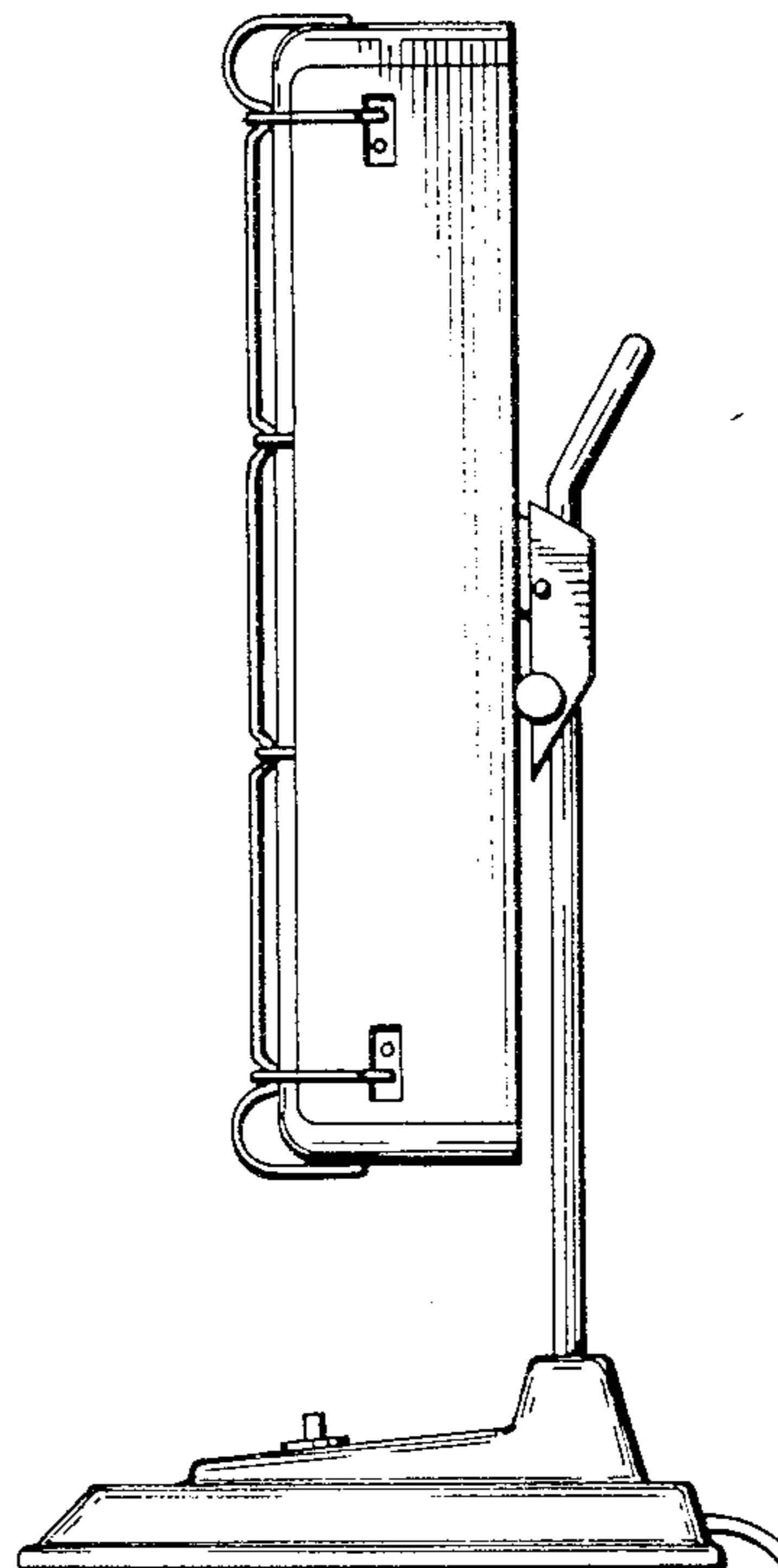
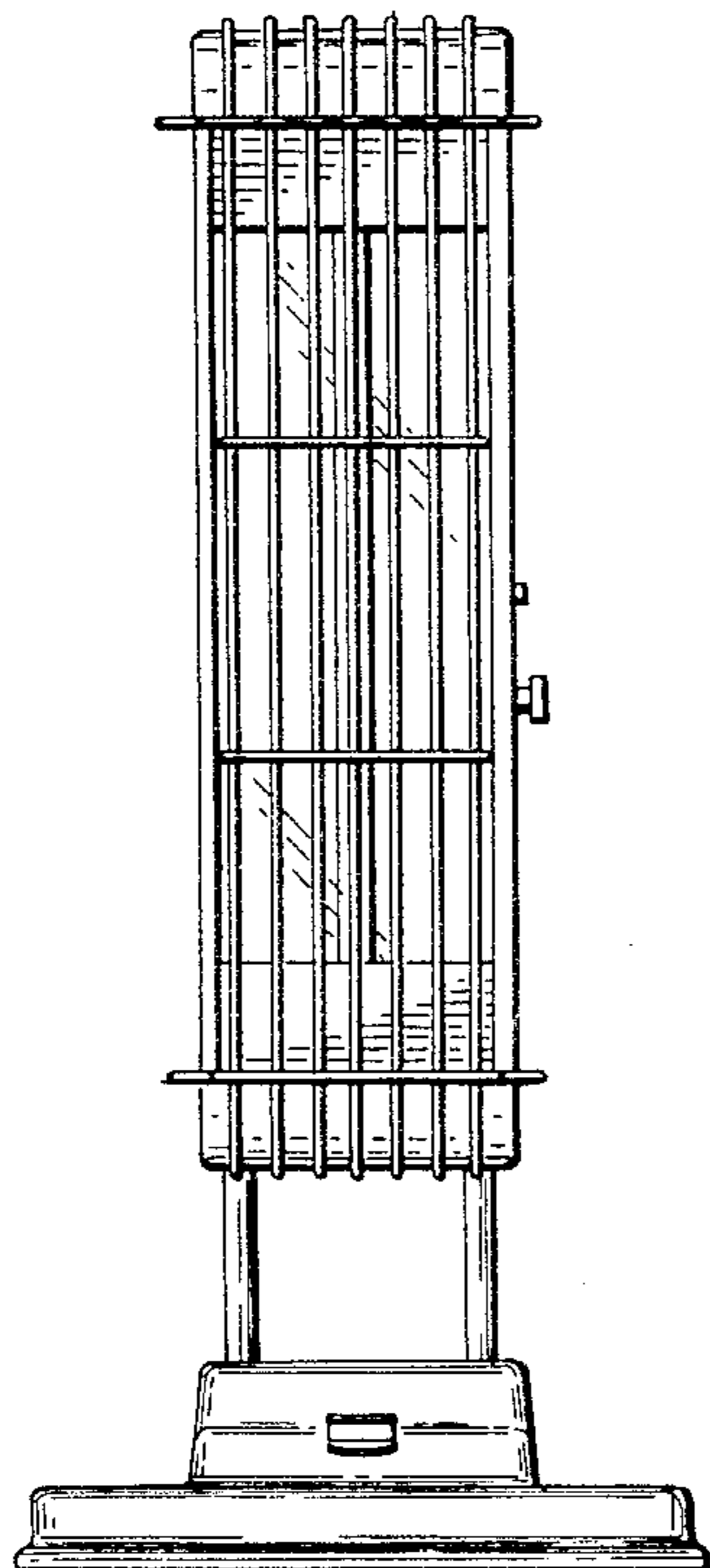


FIG 1

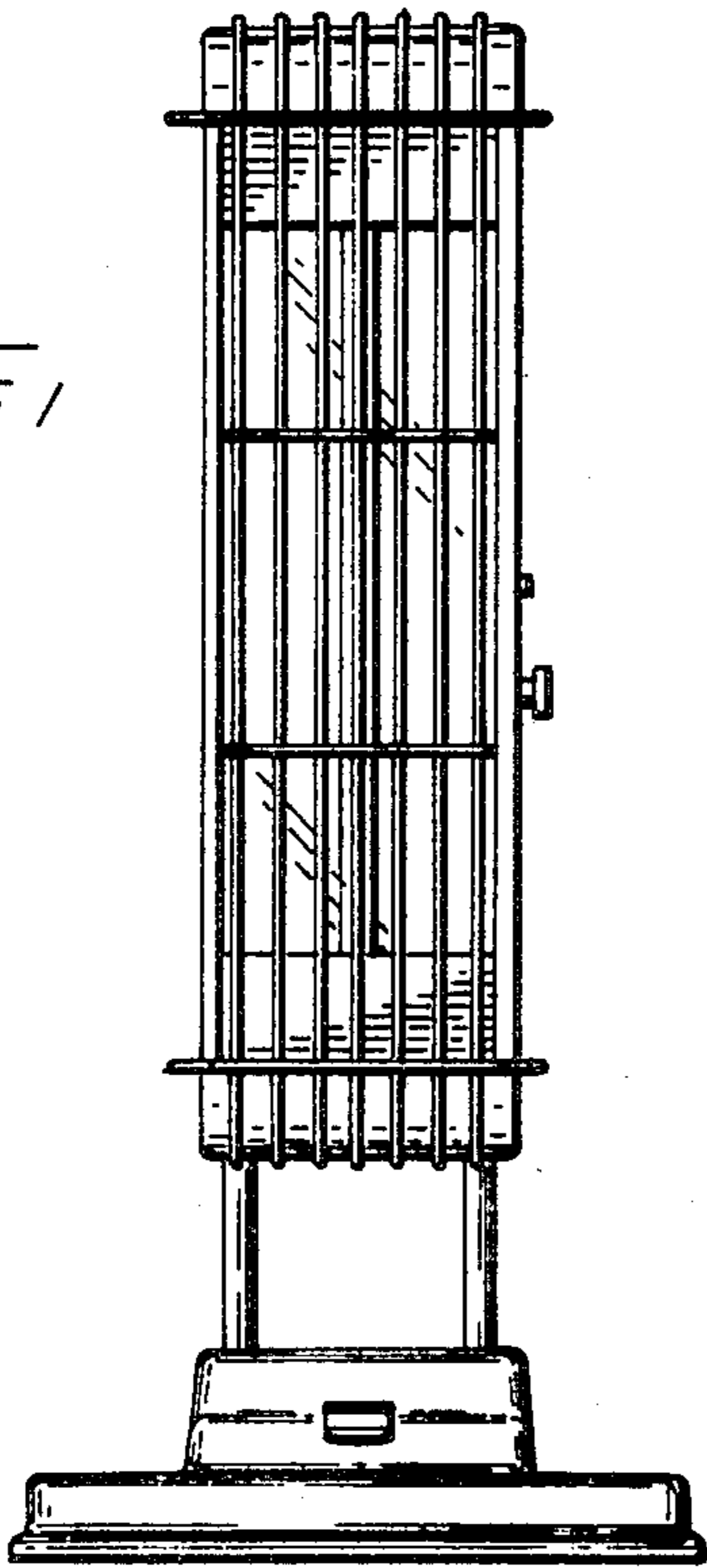


FIG 2

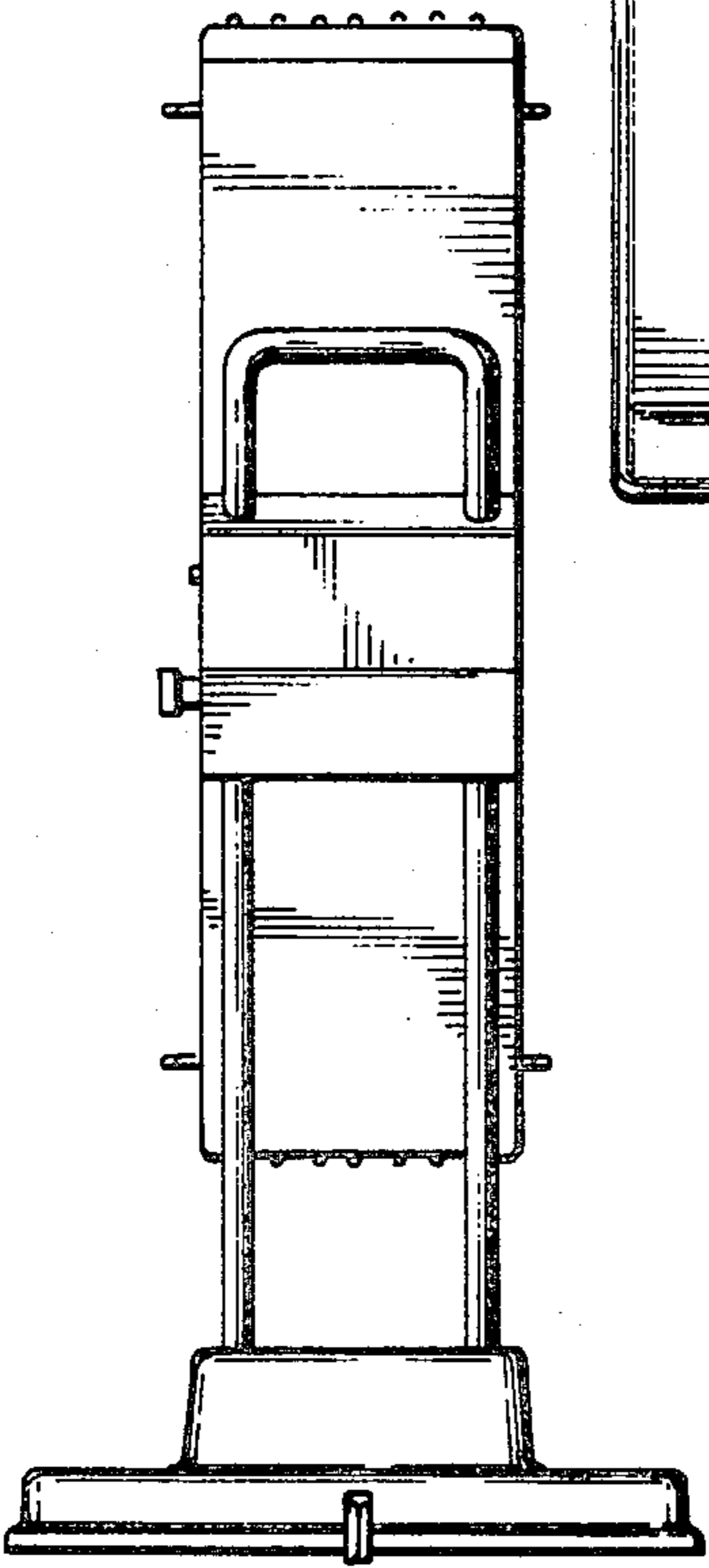
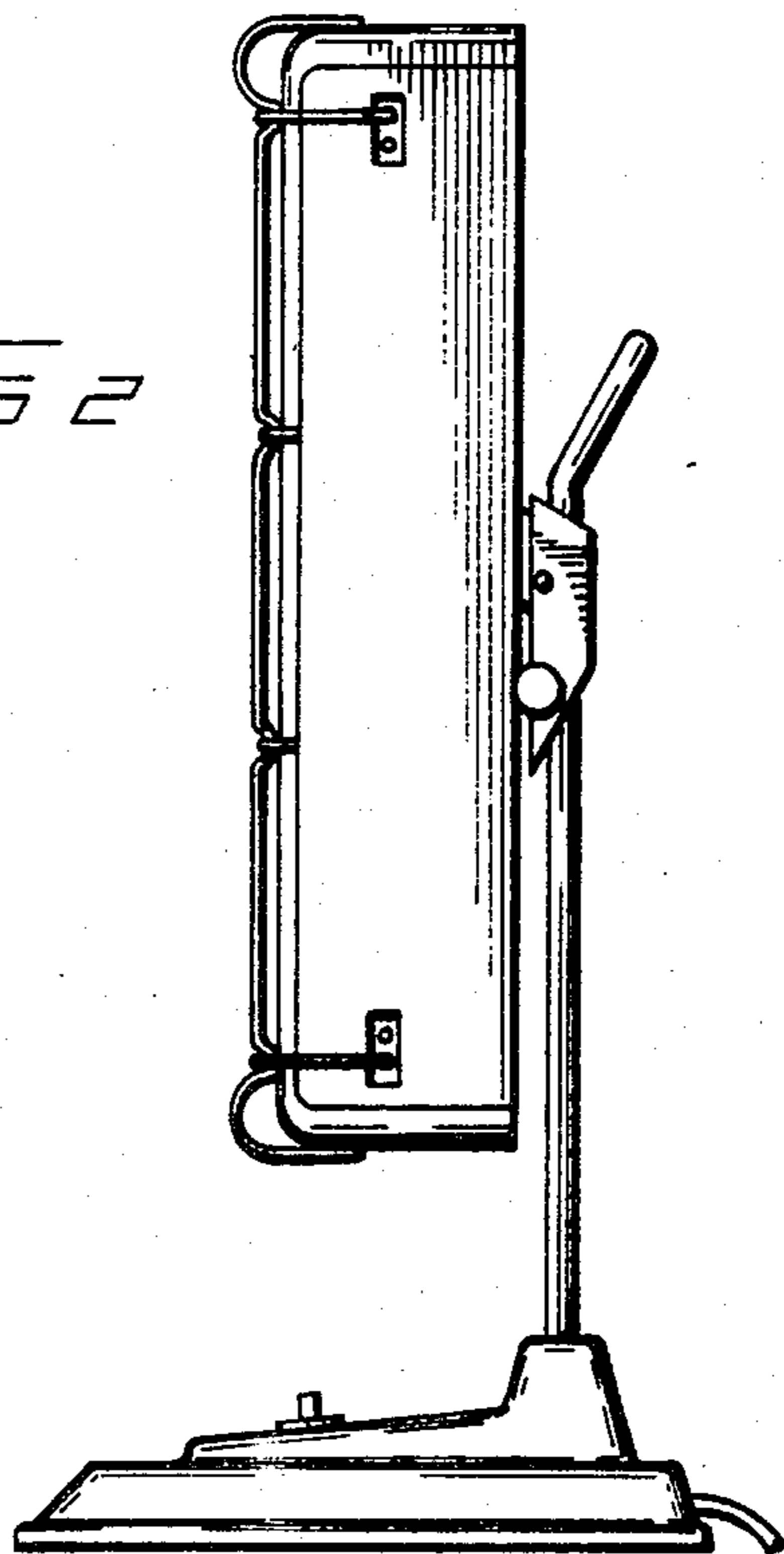


FIG 3

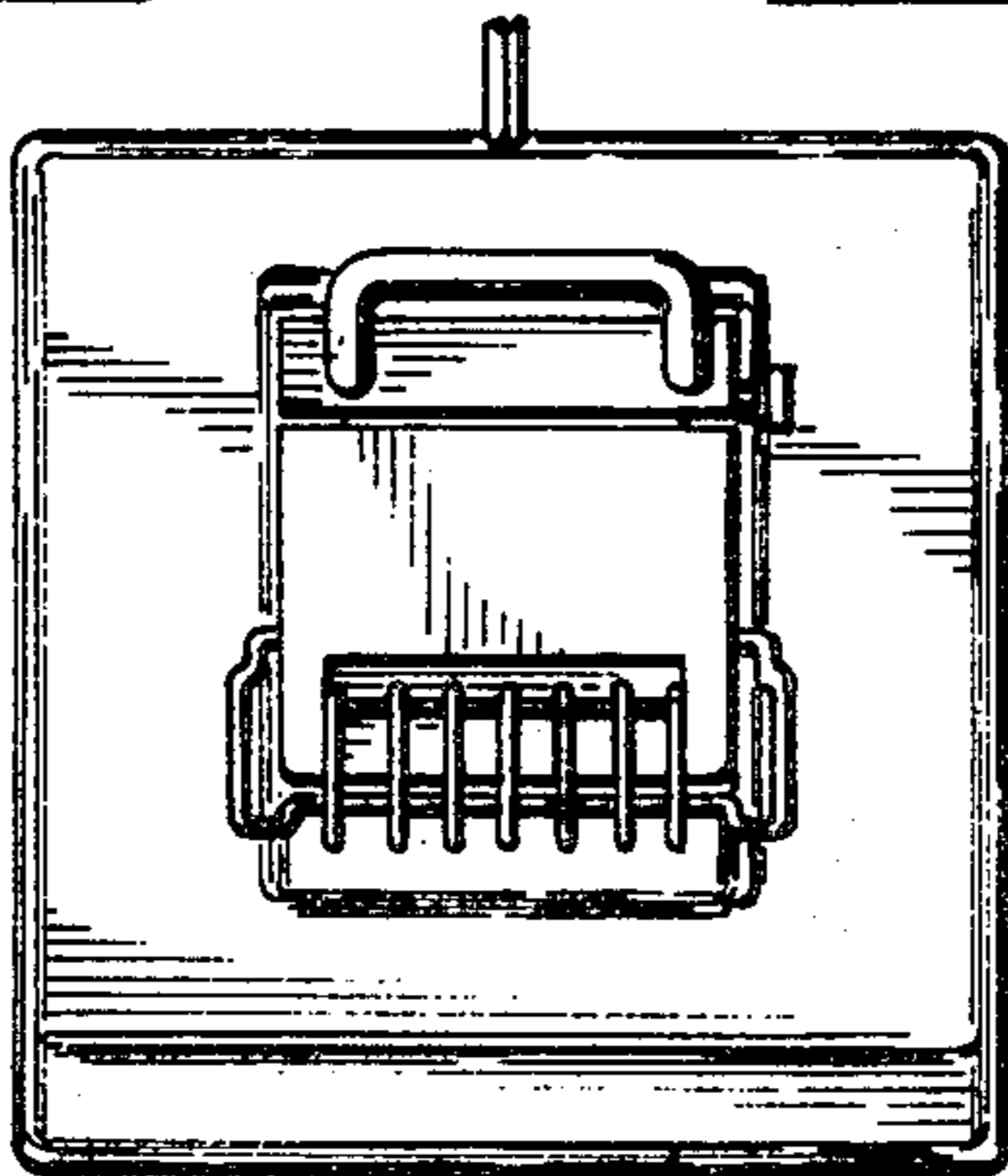


FIG 5

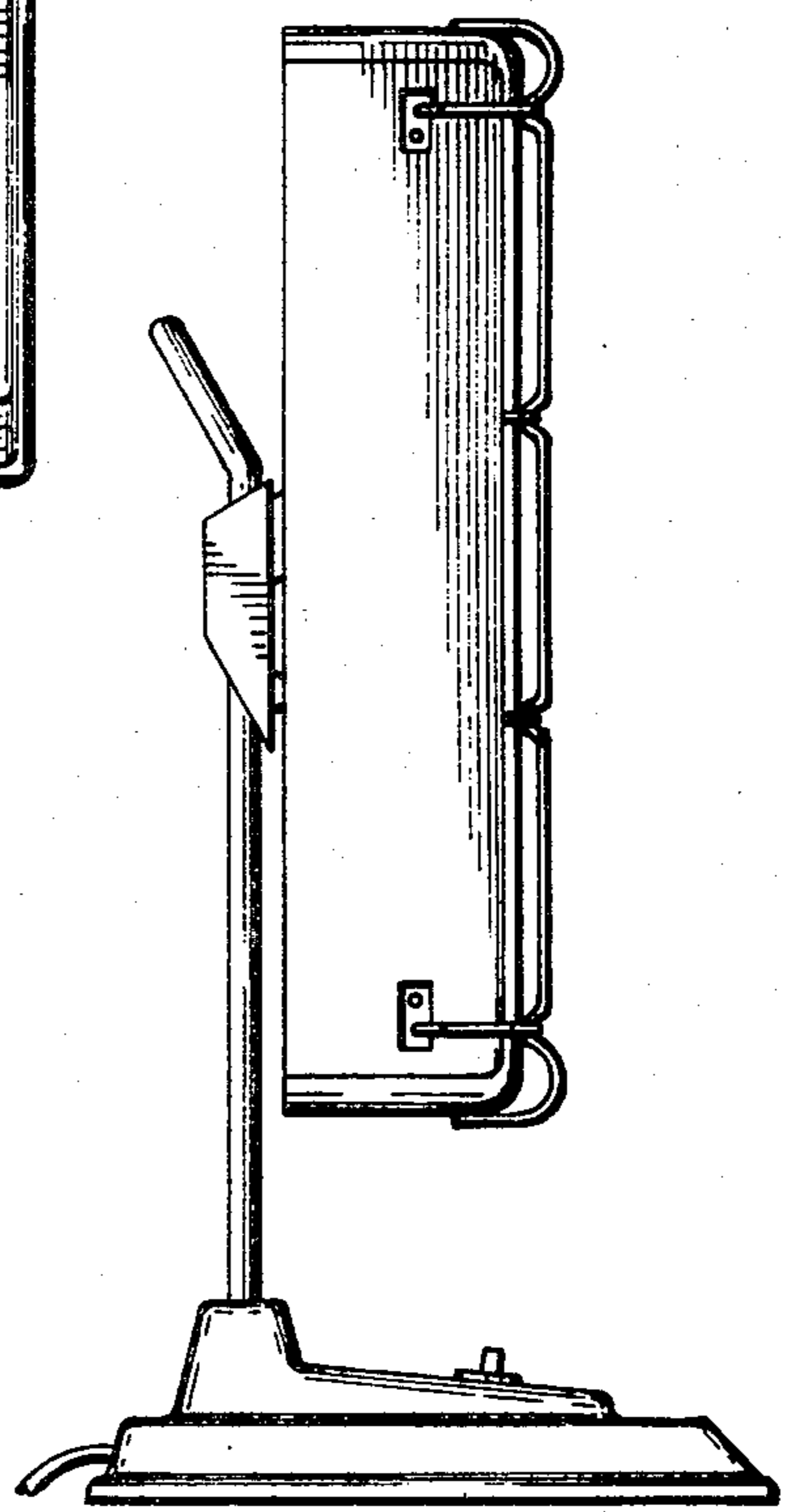


FIG 4