

[54] VALVE HANDLE

[75] Inventors: Donald W. Doman, Janesville; William R. Davis, Kiel; Mark D. Van De Wege, Oostburg, all of Wis.

[73] Assignee: Kohler Co., Kohler, Wis.

[\*\*] Term: 14 Years

[21] Appl. No.: 558,809

[22] Filed: Dec. 7, 1983

[52] U.S. Cl. .... D23/28

[58] Field of Search ..... D23/23-32; D8/307

[56] References Cited

U.S. PATENT DOCUMENTS

D. 189,712	1/1961	Chapman	D23/28
D. 207,898	6/1967	Domen	D23/28
D. 207,986	6/1967	Smalley	D23/28
D. 213,441	3/1969	Frankel et al.	D23/28
D. 224,225	7/1972	Doman	D23/28
D. 227,567	7/1973	Thorp	D23/28
D. 241,842	10/1976	Shames et al.	D23/28
D. 241,843	10/1976	Shames et al.	D23/28
D. 273,888	5/1984	Niemann	D23/28
D. 276,065	10/1984	Stairs, Jr.	D23/28
D. 279,703	6/1985	Doman	D23/28

OTHER PUBLICATIONS

Kohler Supplement '75, handle on the K-6882 item. Delta.Delex Faucets, (C) 1976, p. 22, Faucet Handle at bottom right.

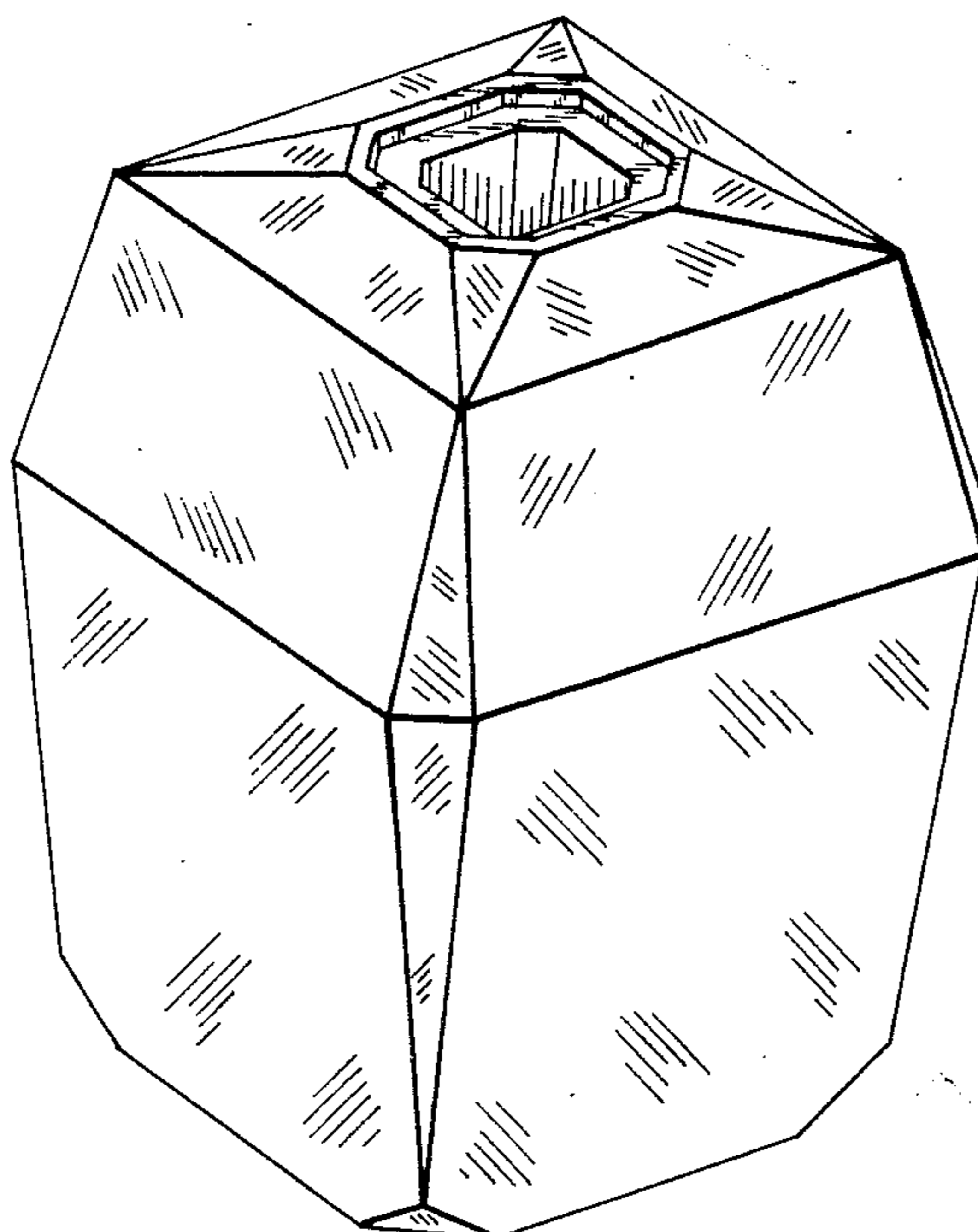
Primary Examiner—James R. Largen  
Attorney, Agent, or Firm—Quarles & Brady

[57] CLAIM

The ornamental design for a valve handle, as shown.

DESCRIPTION

FIG. 1 is a top perspective view of a valve handle showing our new design;  
 FIG. 2 is a side elevational view thereof, the other sides being the same as the side shown;  
 FIG. 3 is a top plan view thereof;  
 FIG. 4 is a sectional view thereof taken on line 4—4 in FIG. 3;  
 FIG. 5 is a partial sectional view thereof taken on line 5—5 in FIG. 3;  
 FIG. 6 is a bottom plan view thereof;  
 FIG. 7 is a top perspective view of a modified form of the valve handle shown in FIG. 1;  
 FIG. 8 is a top perspective view of a second modified form of the valve handle shown in FIG. 1;  
 FIG. 9 is a side elevational view of FIG. 8, the other sides being the same as the side shown;  
 FIG. 10 is a top plan view of FIG. 8;  
 FIG. 11 is a side elevational view of FIG. 8 with the handle rotated 45 degrees from the position shown in FIG. 9;  
 FIG. 12 is a bottom plan view of FIG. 8;  
 FIG. 13 is a top perspective view of a third modified form of the handle shown in FIG. 1;  
 FIG. 14 is a side elevational view of FIG. 13, the other sides being the same as the side shown;  
 FIG. 15 is a top plan view of FIG. 13;  
 FIG. 16 is a sectional view thereof taken on line 16—16 of FIG. 15;  
 FIG. 17 is a partial sectional view thereof taken on line 17—17 of FIG. 15; and  
 FIG. 18 is a bottom plan view of FIG. 13.



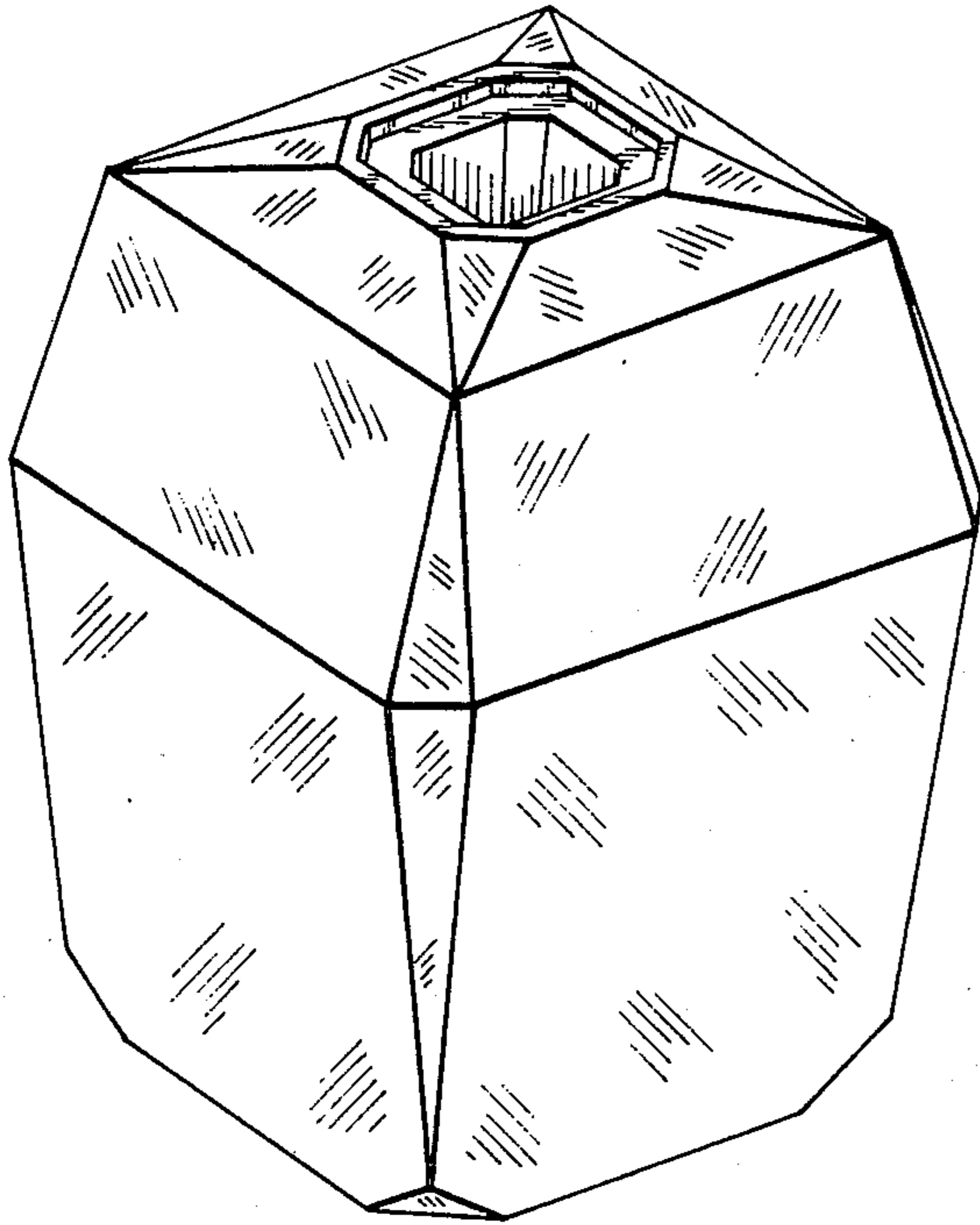


FIG. 1

FIG. 2

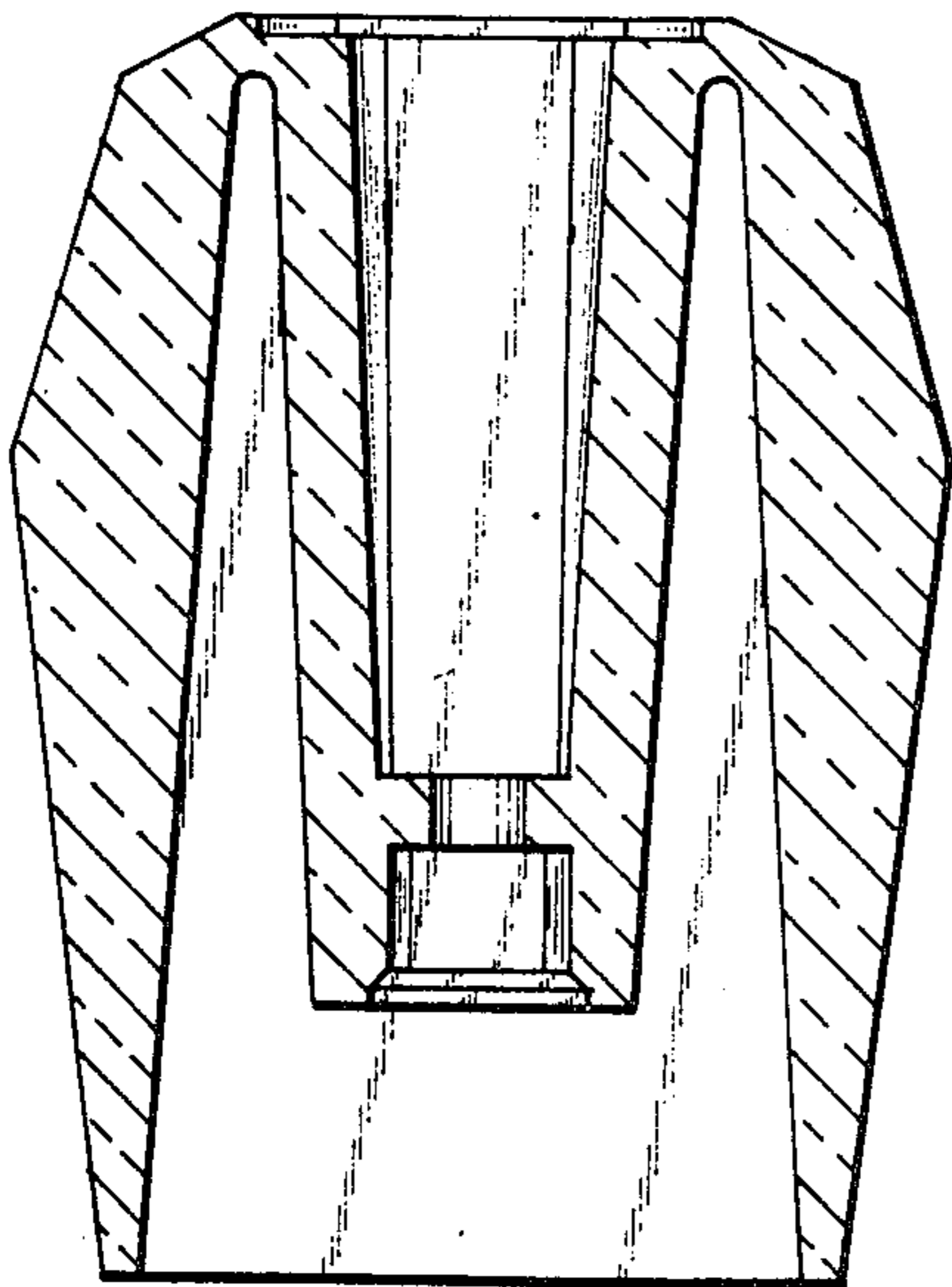
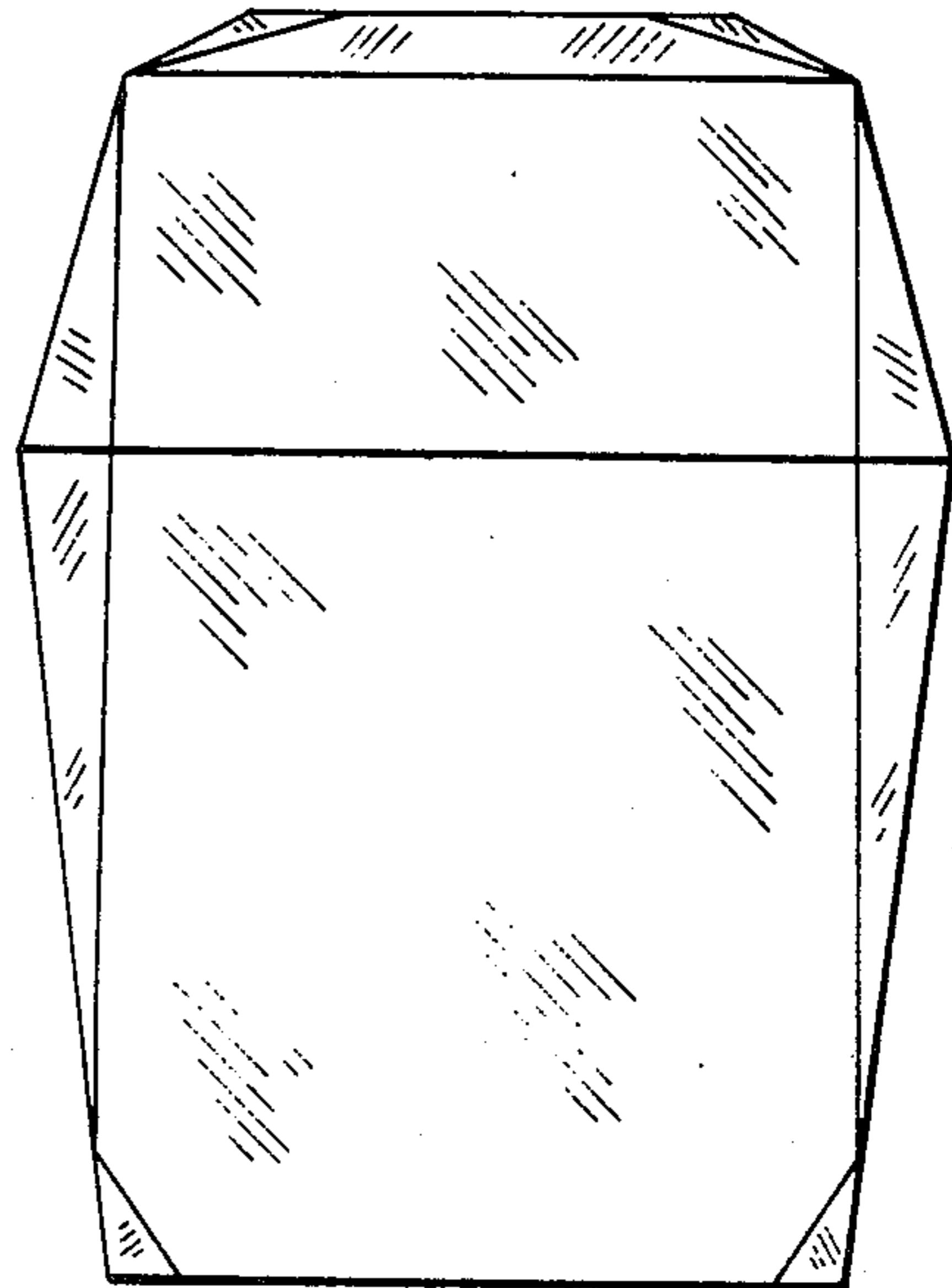


FIG. 4

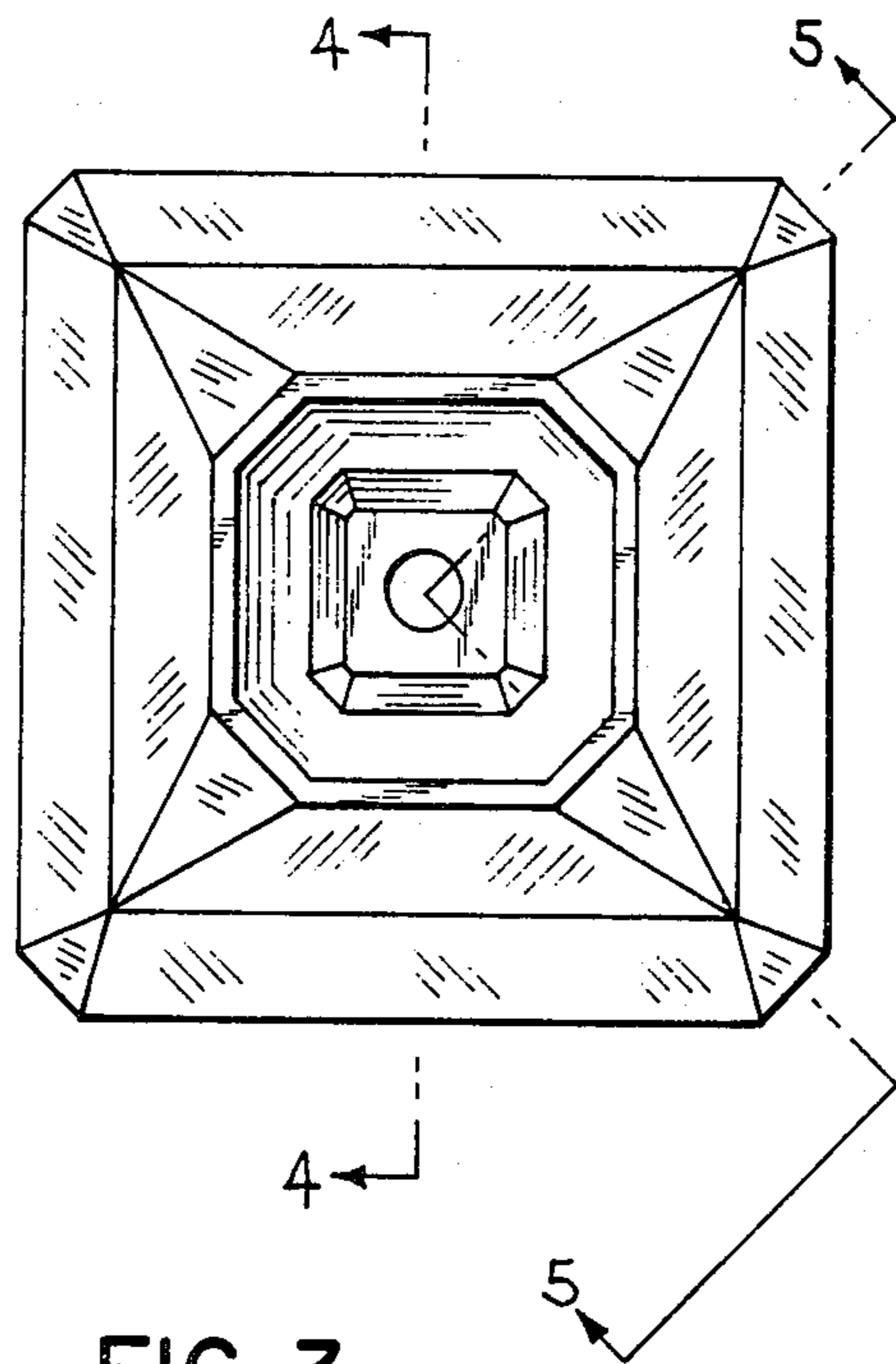


FIG. 3

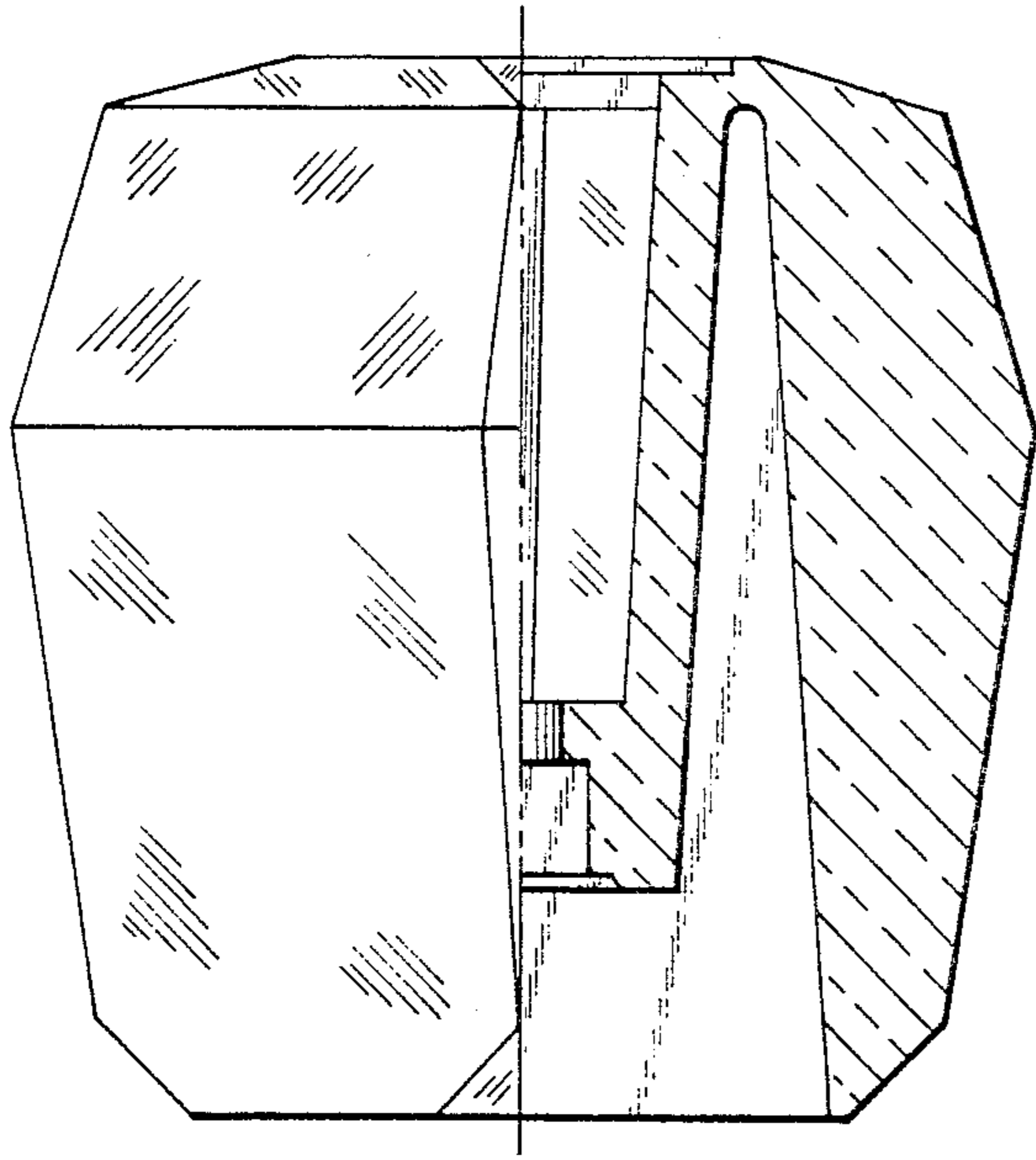


FIG. 5

FIG. 6

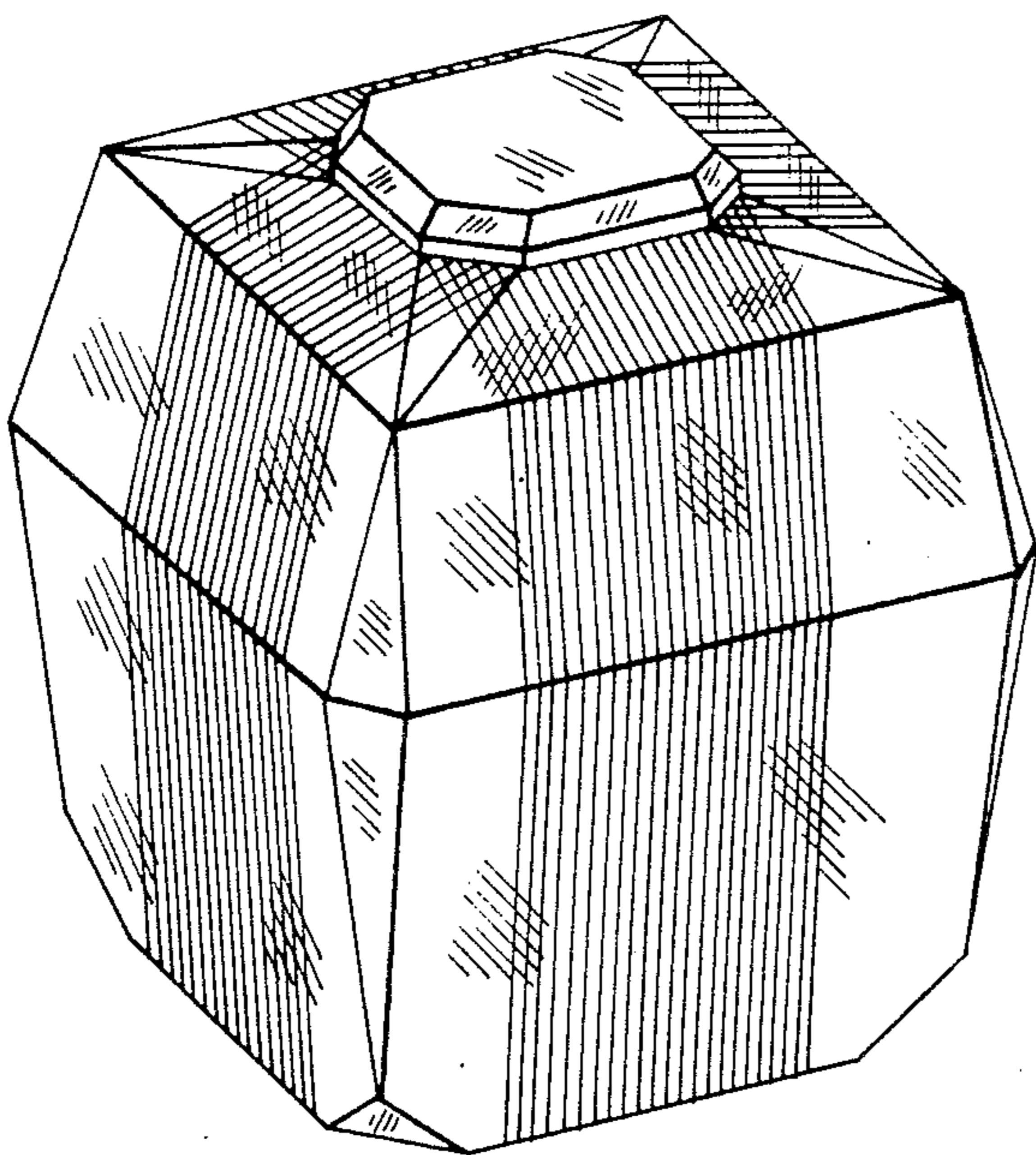
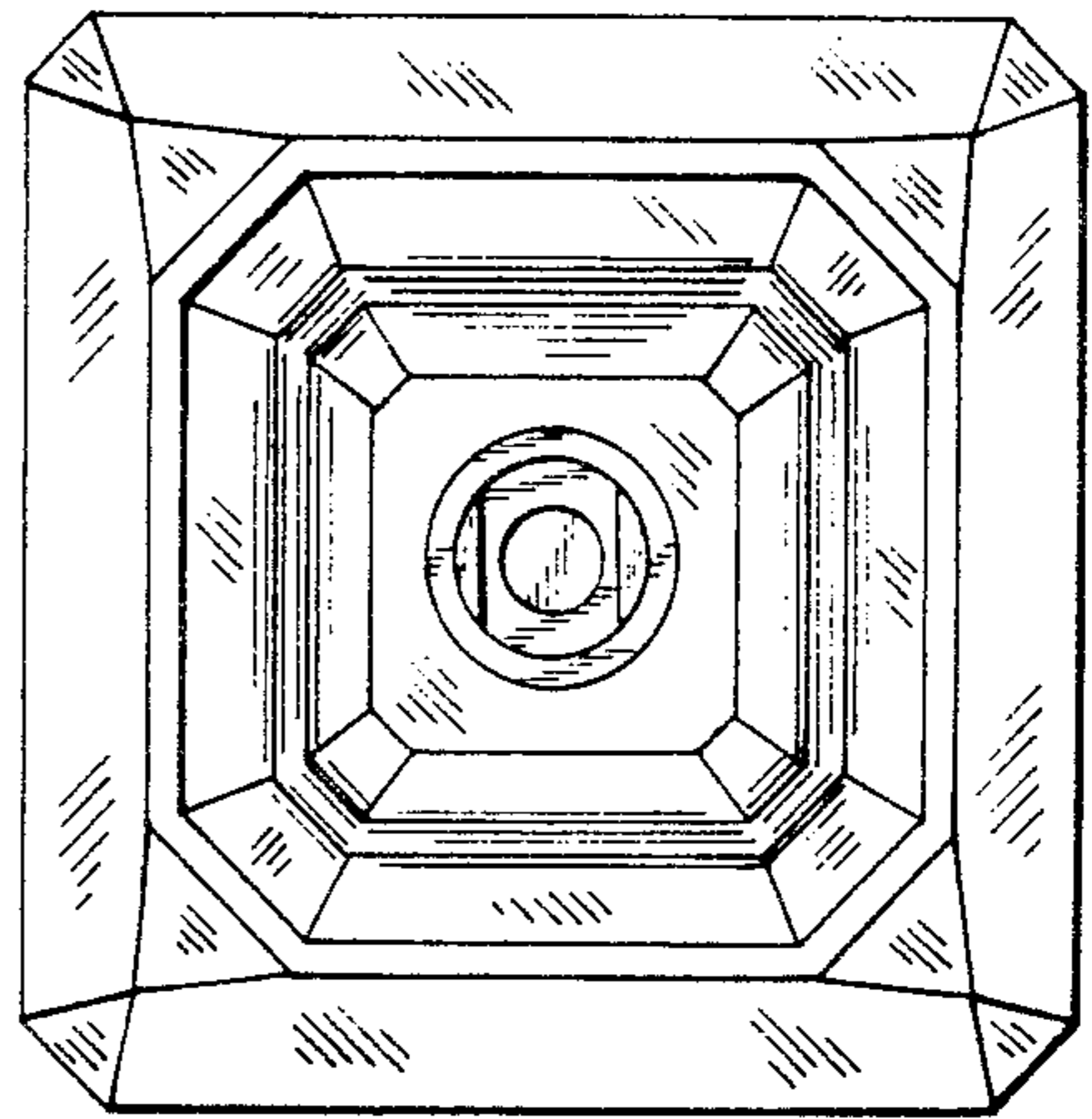


FIG. 7

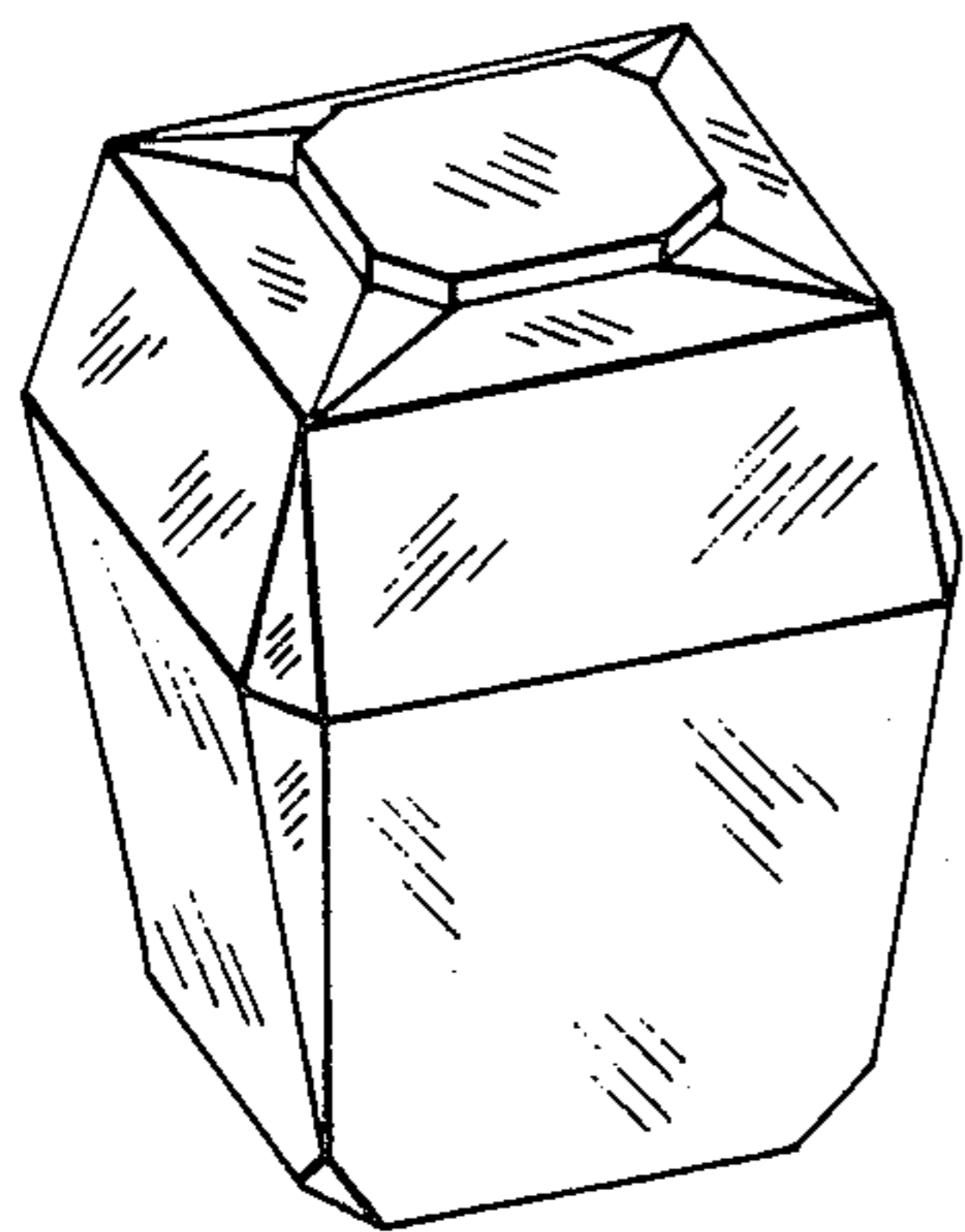


FIG. 8

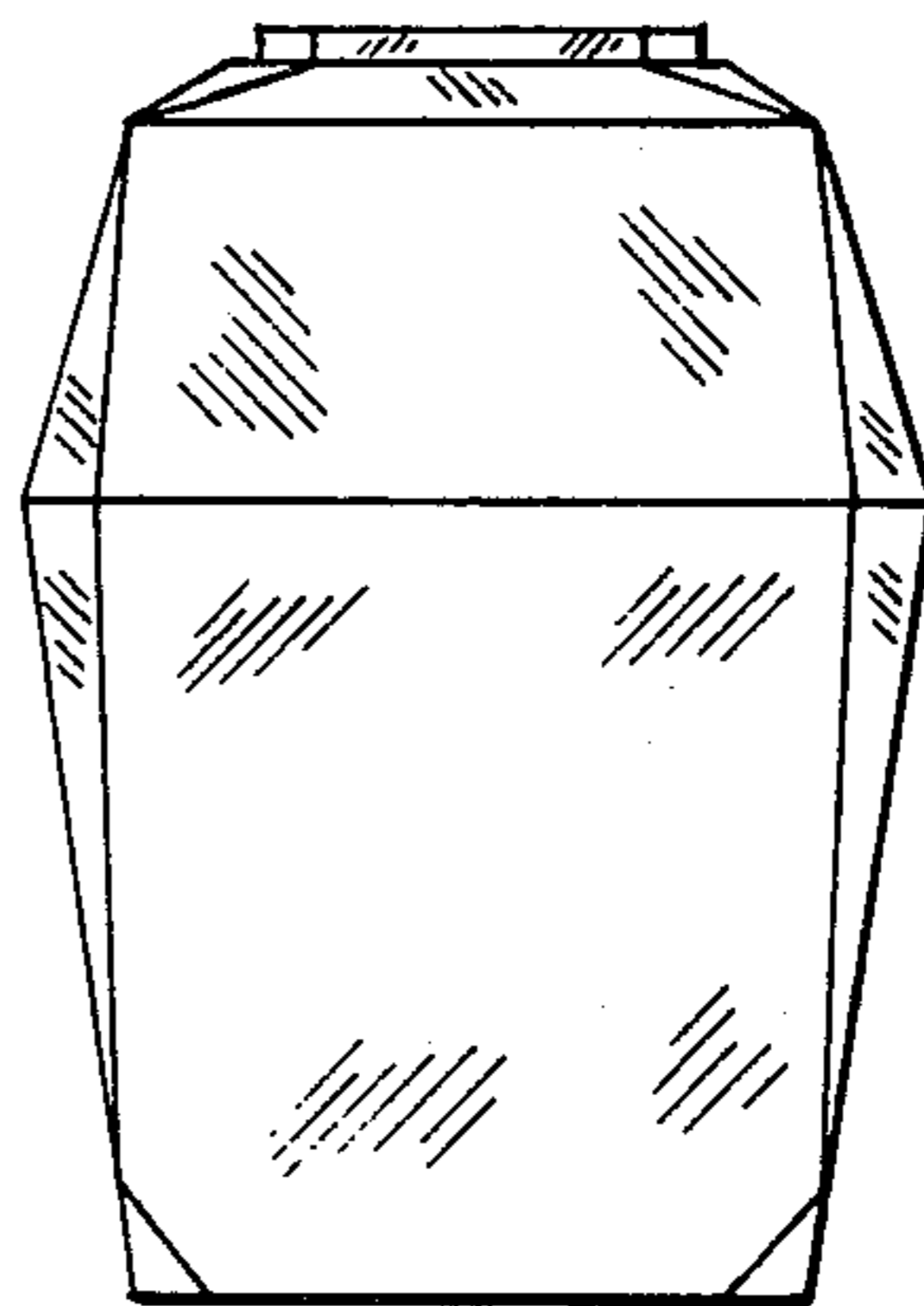


FIG. 9

FIG. 10

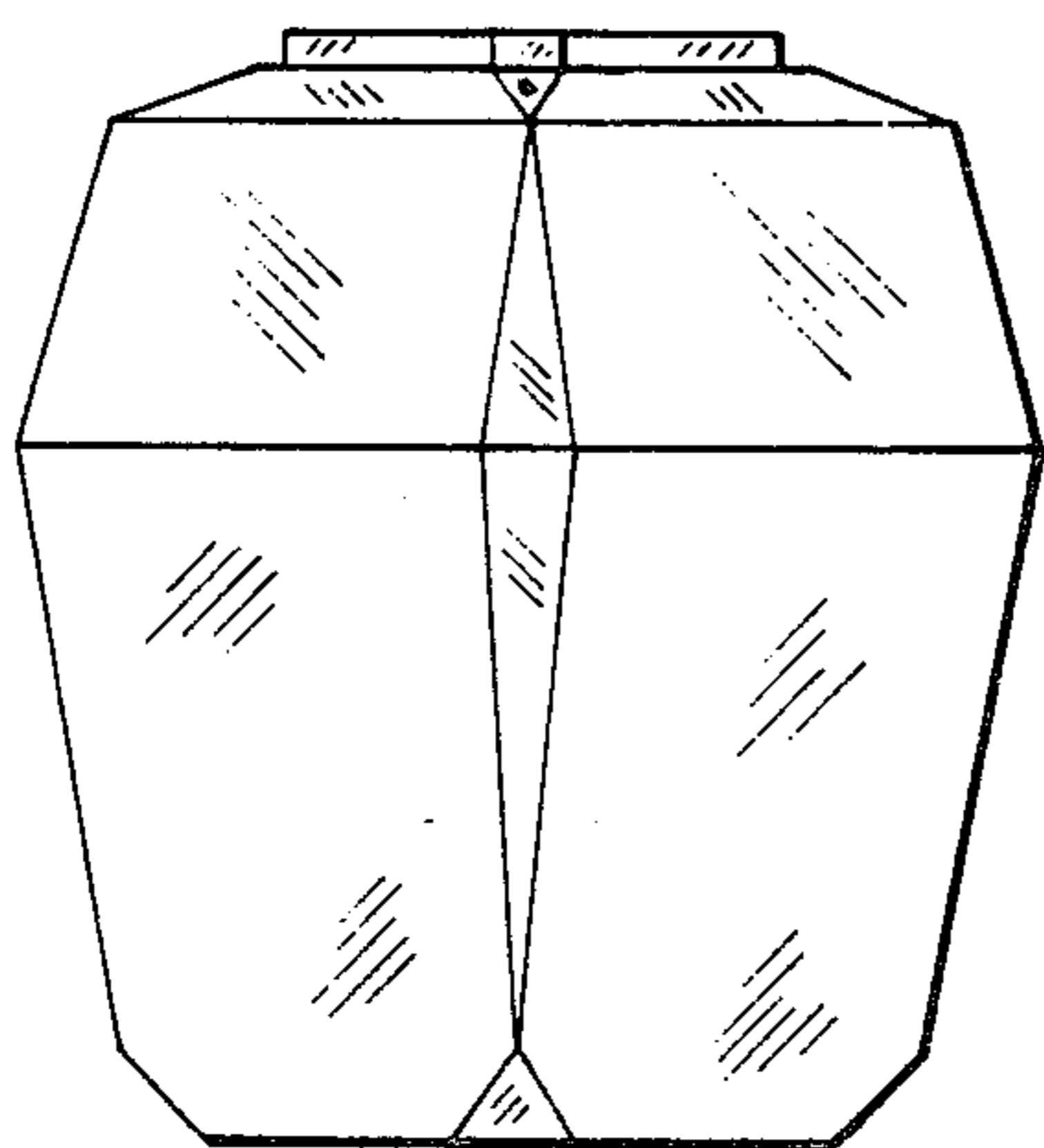
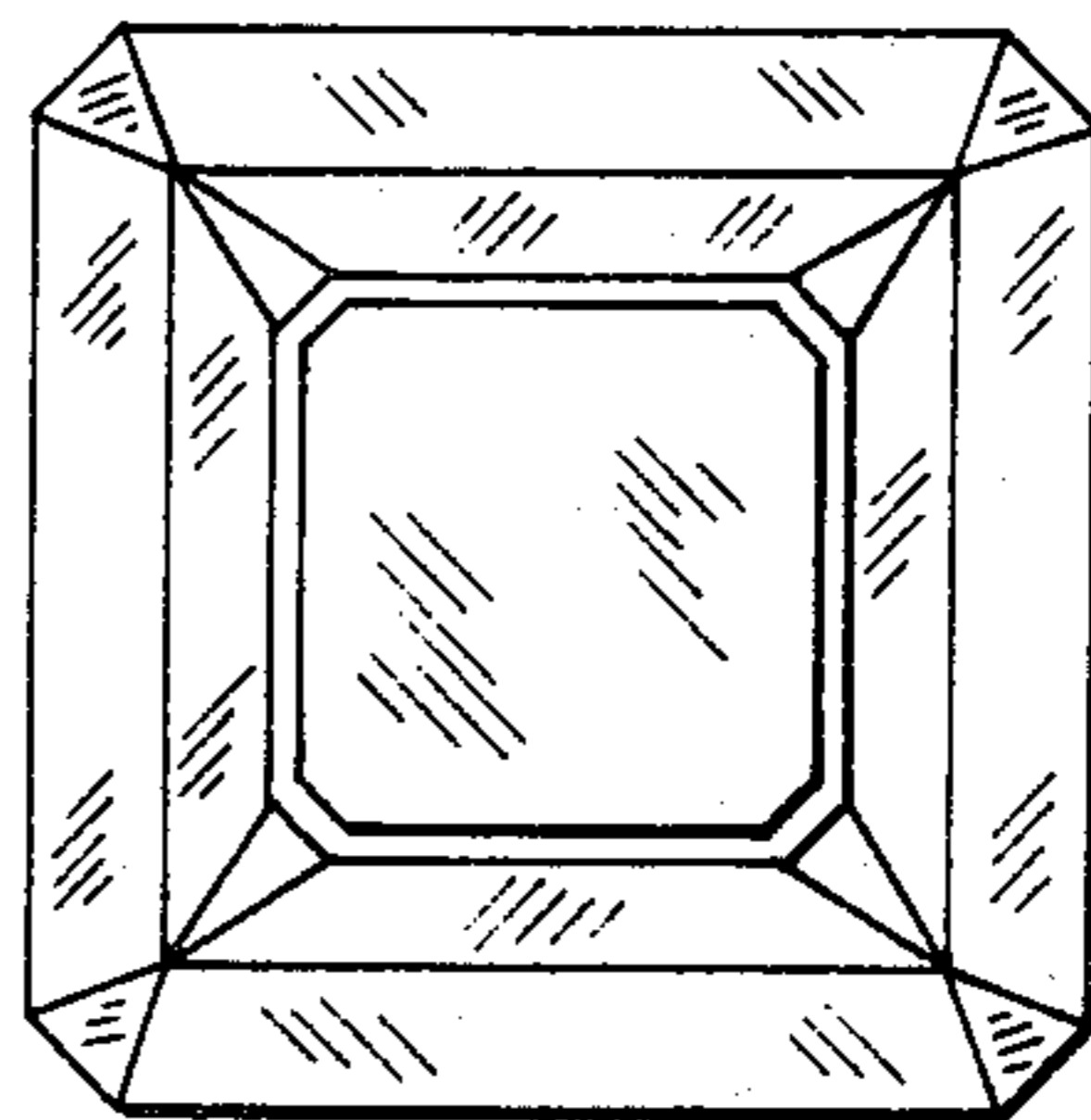


FIG. 11

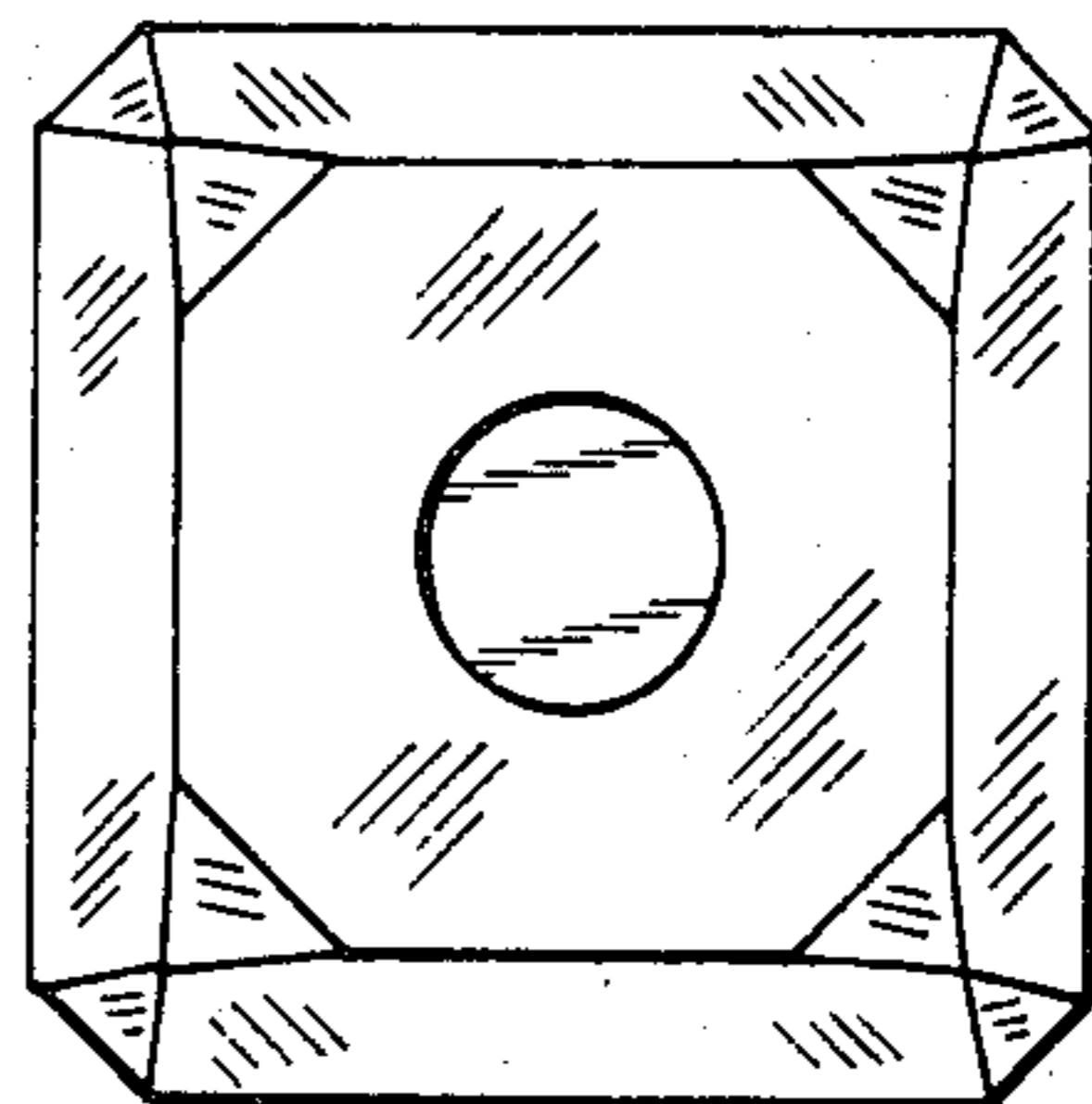


FIG. 12

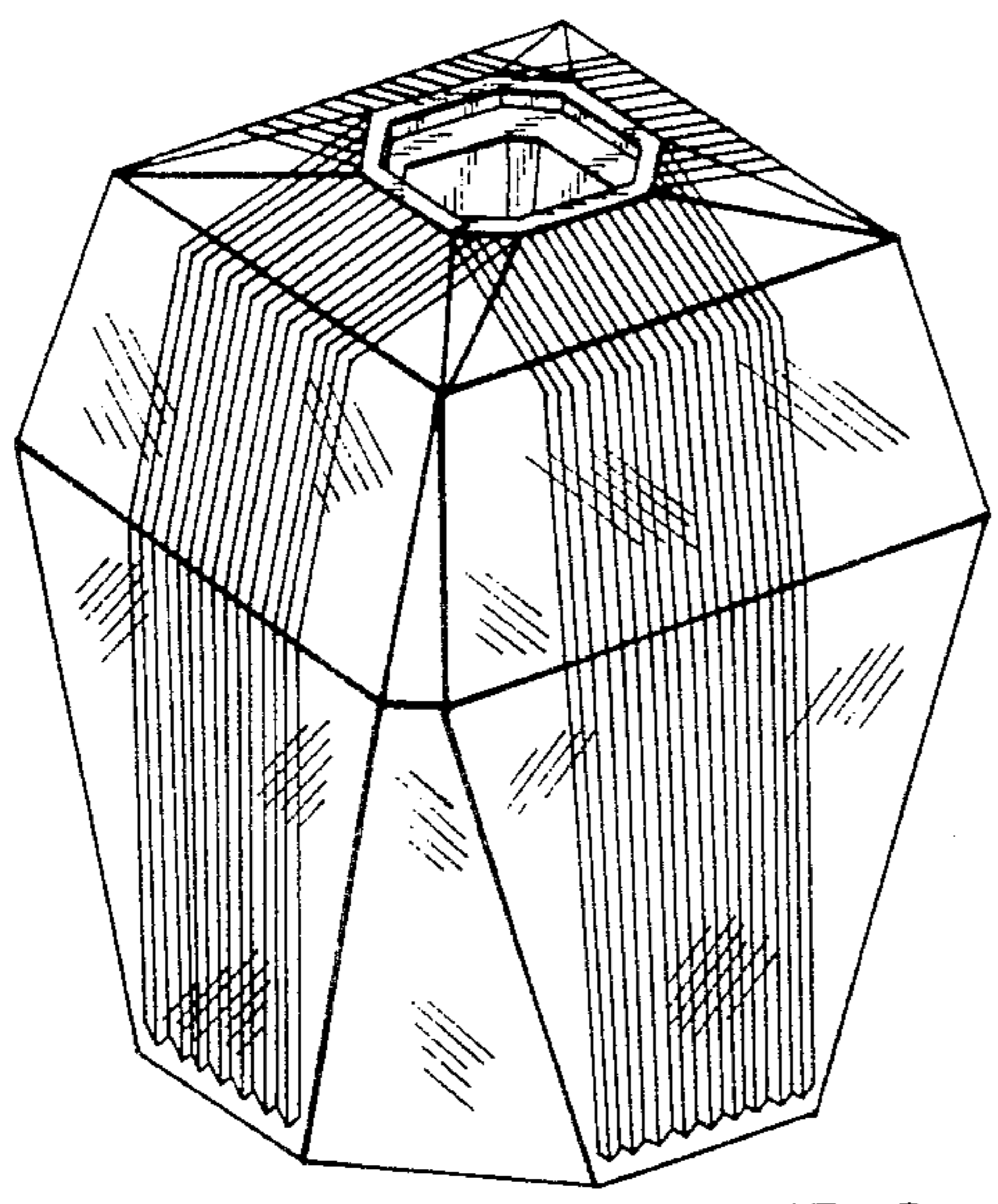


FIG. 13

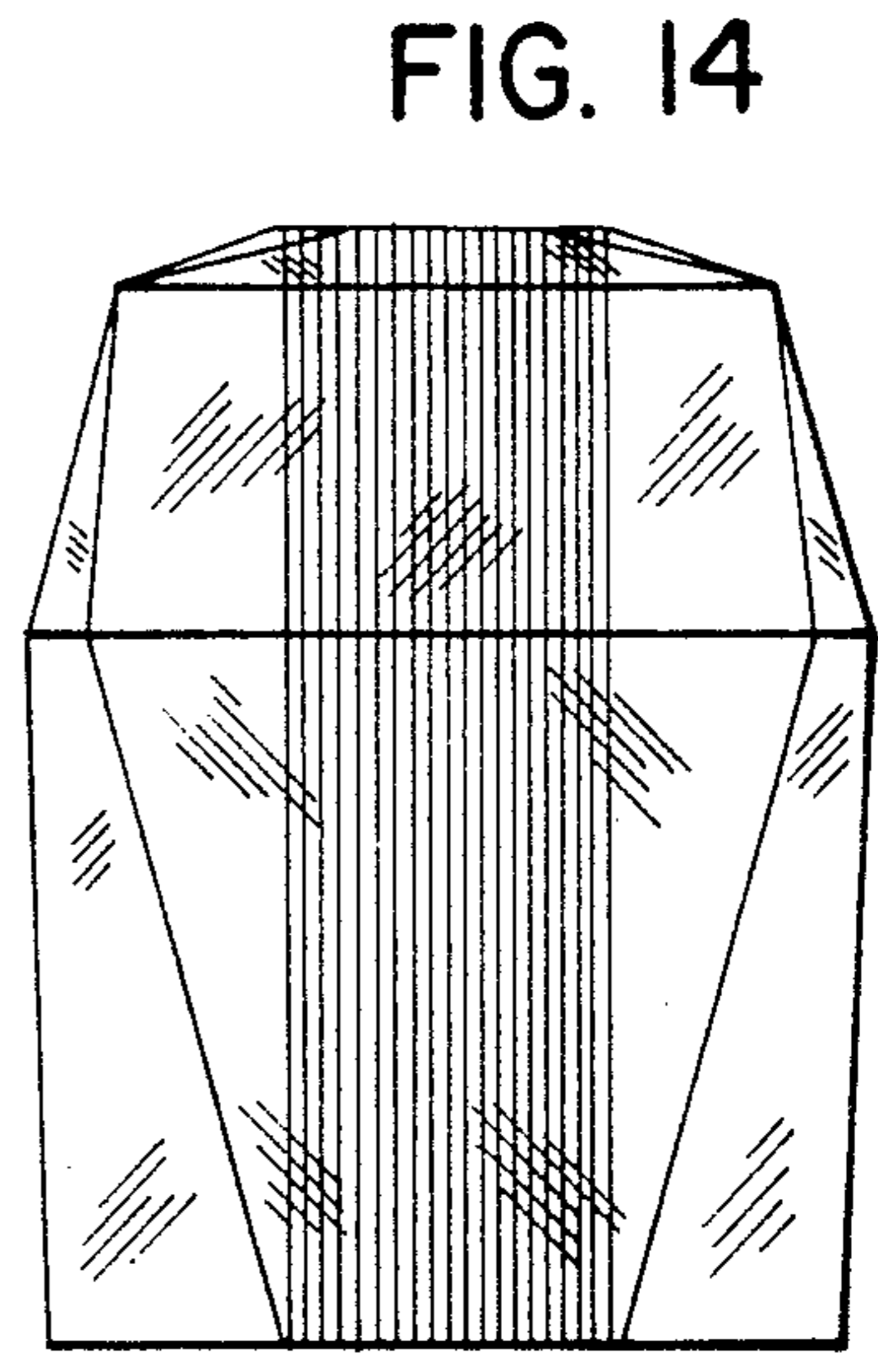


FIG. 14

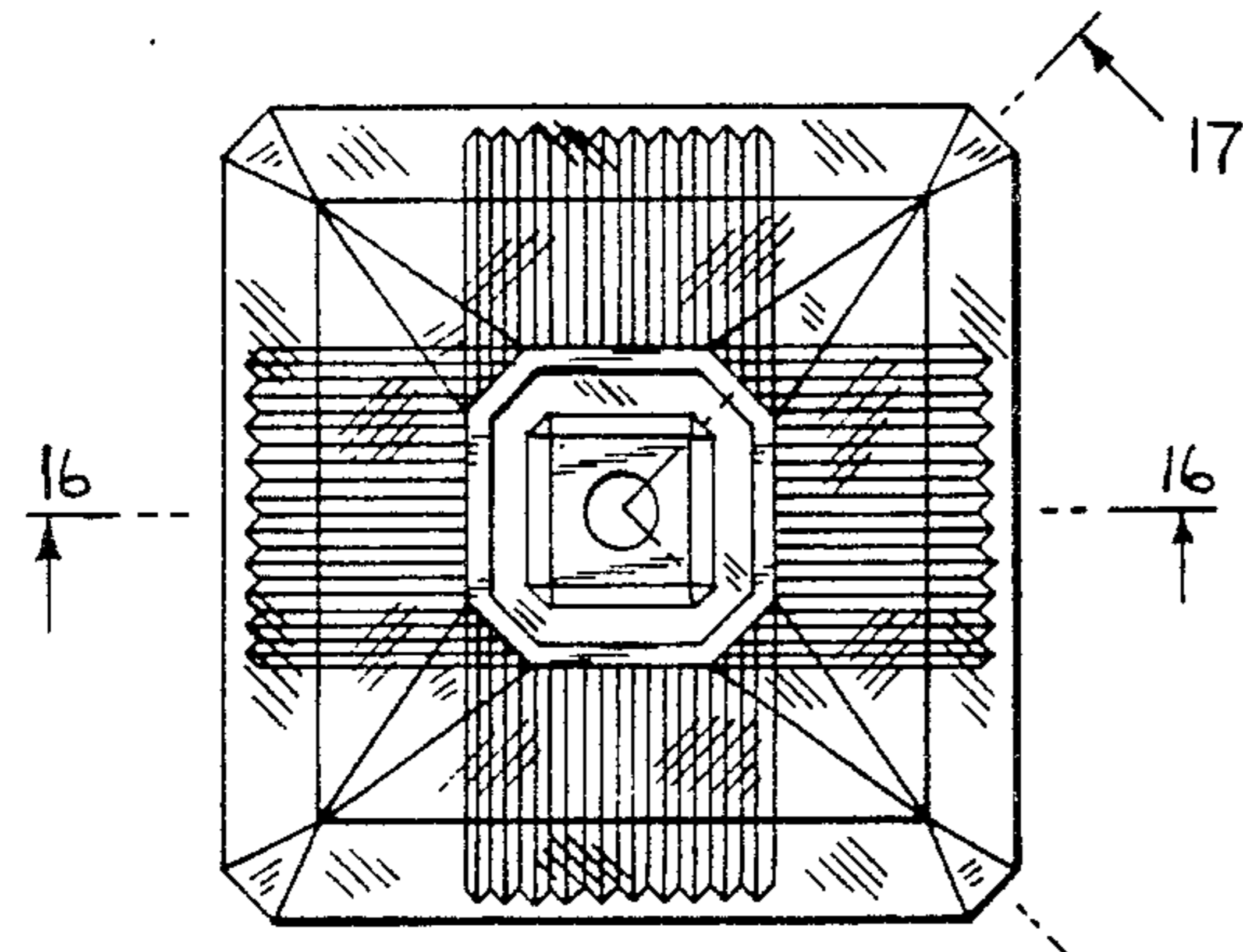


FIG. 15

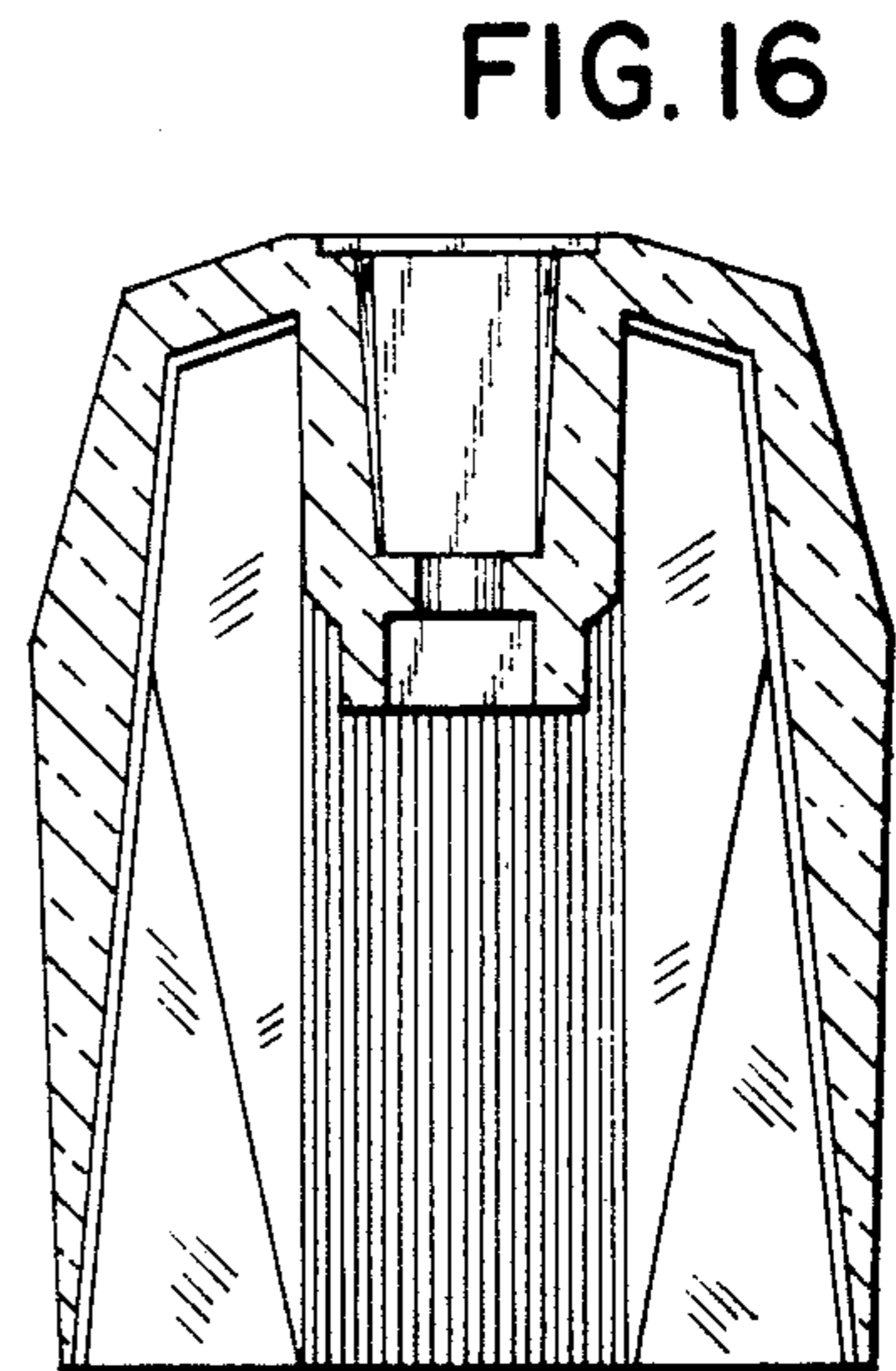


FIG. 16

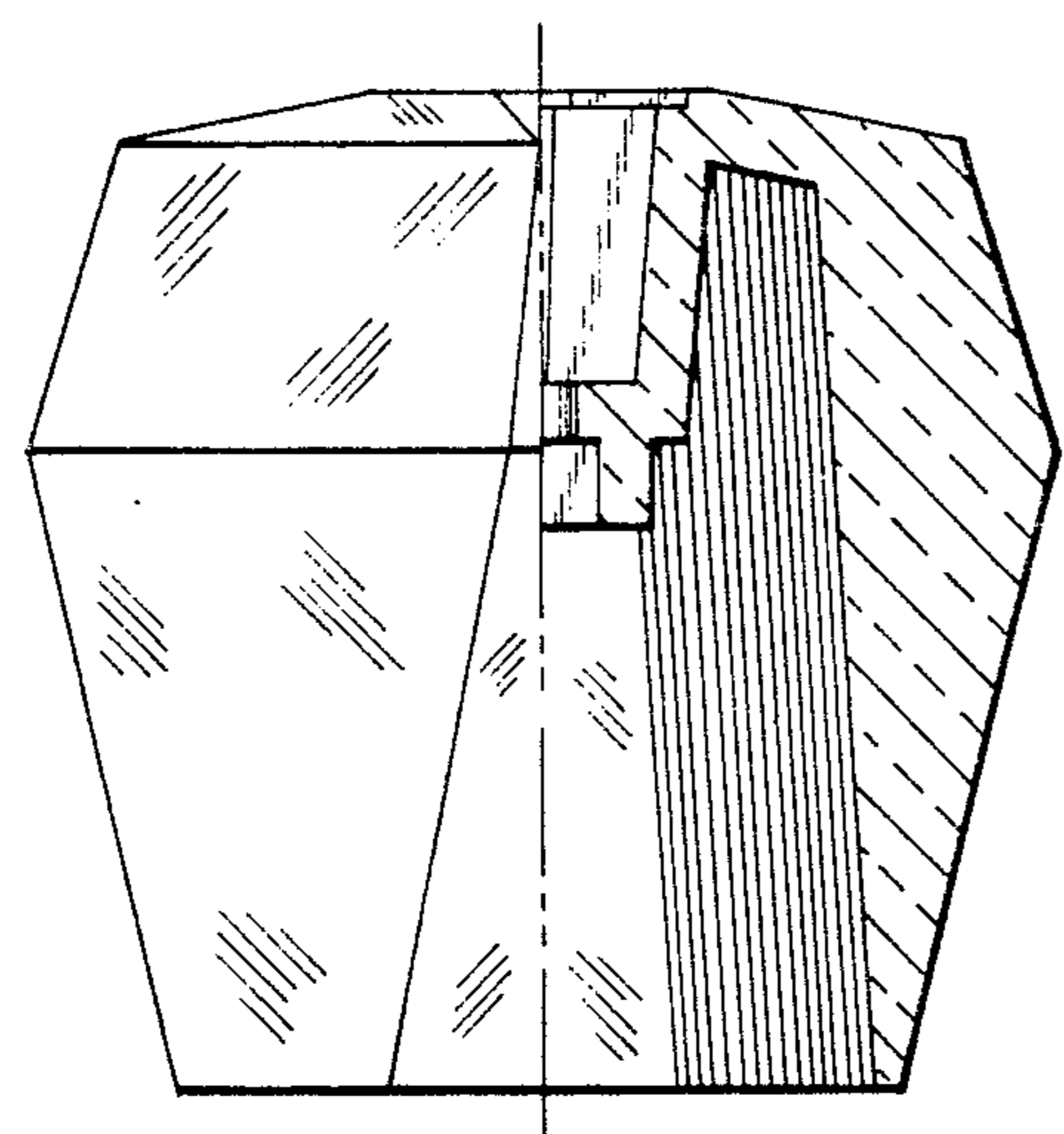


FIG. 17

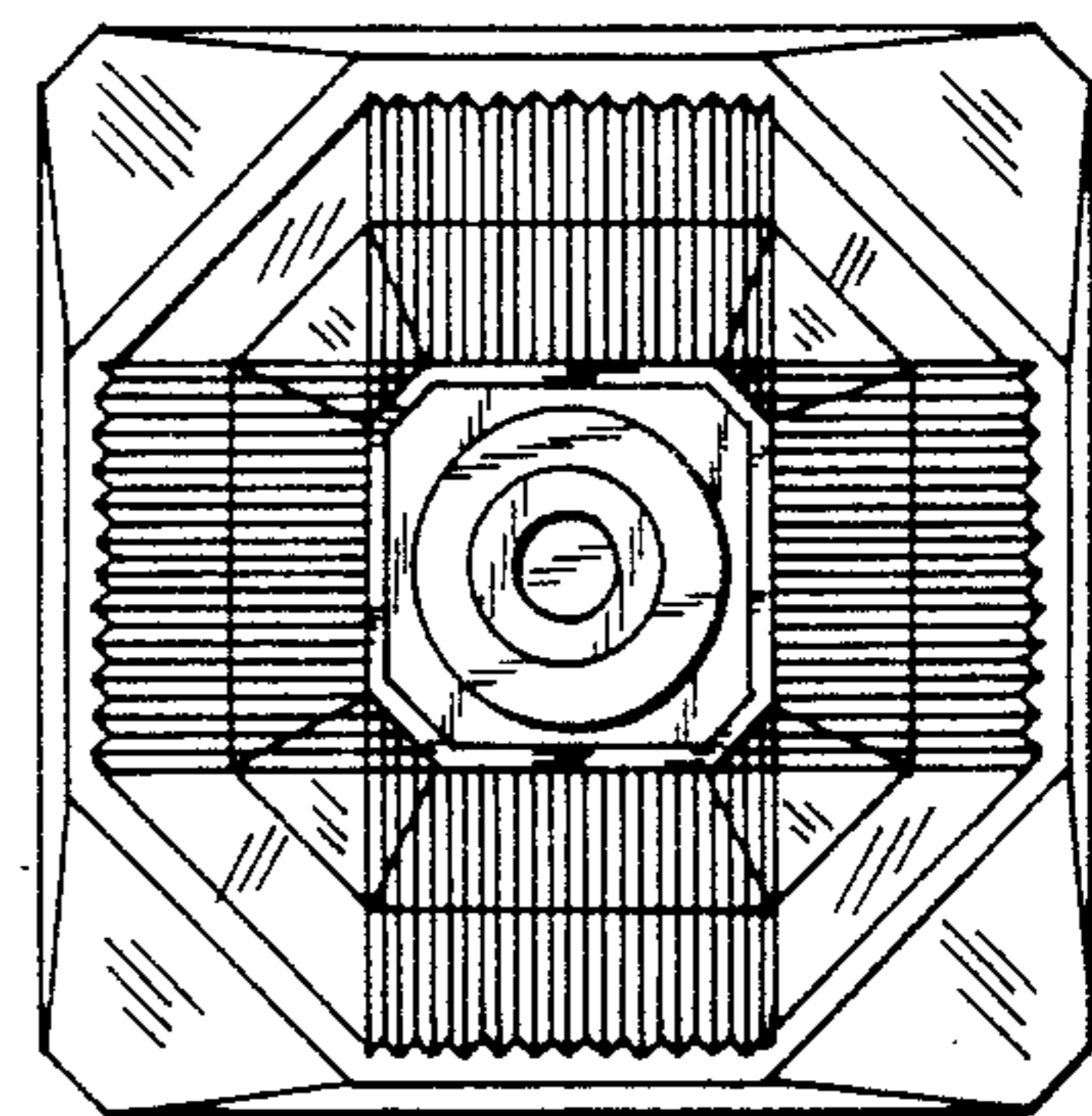


FIG. 18