

[54] **SKI BINDING**

[75] **Inventor: Jean-François Mermillod, Annecy, France**

[73] **Assignee: Salomon S.A., Annecy, France**

[**] **Term: 14 Years**

[21] **Appl. No.: 523,889**

[22] **Filed: Aug. 17, 1983**

[30] **Foreign Application Priority Data**

Feb. 17, 1983 [FR] France 83 1253

[52] **U.S. Cl. D21/230**

[58] **Field of Search D21/230, 229; 280/611, 280/613, 616, 617, 618**

[56] **References Cited**

U.S. PATENT DOCUMENTS

D. 212,955 12/1968 Berlenbach D21/230

D. 268,945 5/1983 Beyl D21/230
D. 274,449 6/1984 Segers et al. D21/230

OTHER PUBLICATIONS

Ski Flash Magazine, 3-1978, p. 55, Ski Binding.
Ski Magazine, 11-1978, p. 15, Ski Binding.
Ski Magazine, 2-1977, p. 48, Ski Binding.

Primary Examiner—Charles A. Rademaker
Attorney, Agent, or Firm—Sandler & Greenblum

[57] **CLAIM**

The ornamental design for a ski binding, as shown and described.

DESCRIPTION

FIG. 1 is a side elevational view of a ski binding showing my new design;
FIG. 2 is a front elevational view thereof;
FIG. 3 is a top plan view thereof;
FIG. 4 is a rear elevational view thereof; and,
FIG. 5 is a bottom plan view thereof.

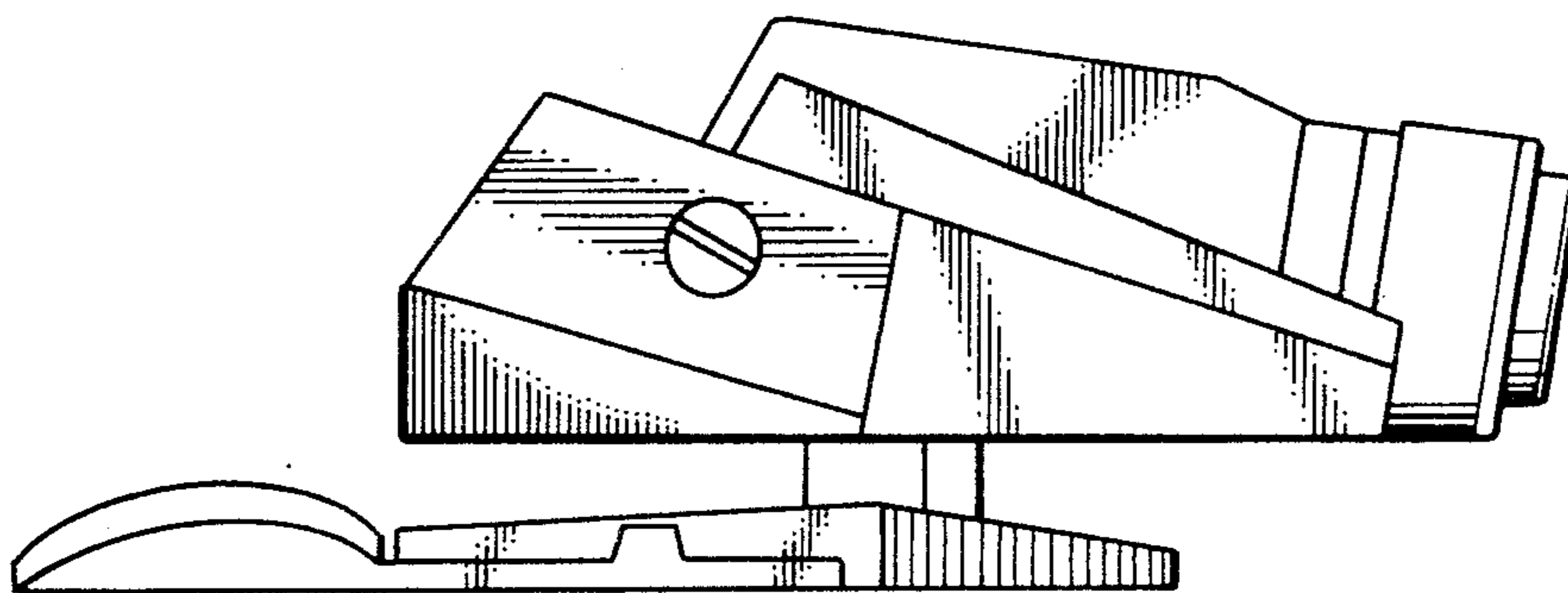


FIG. 1.

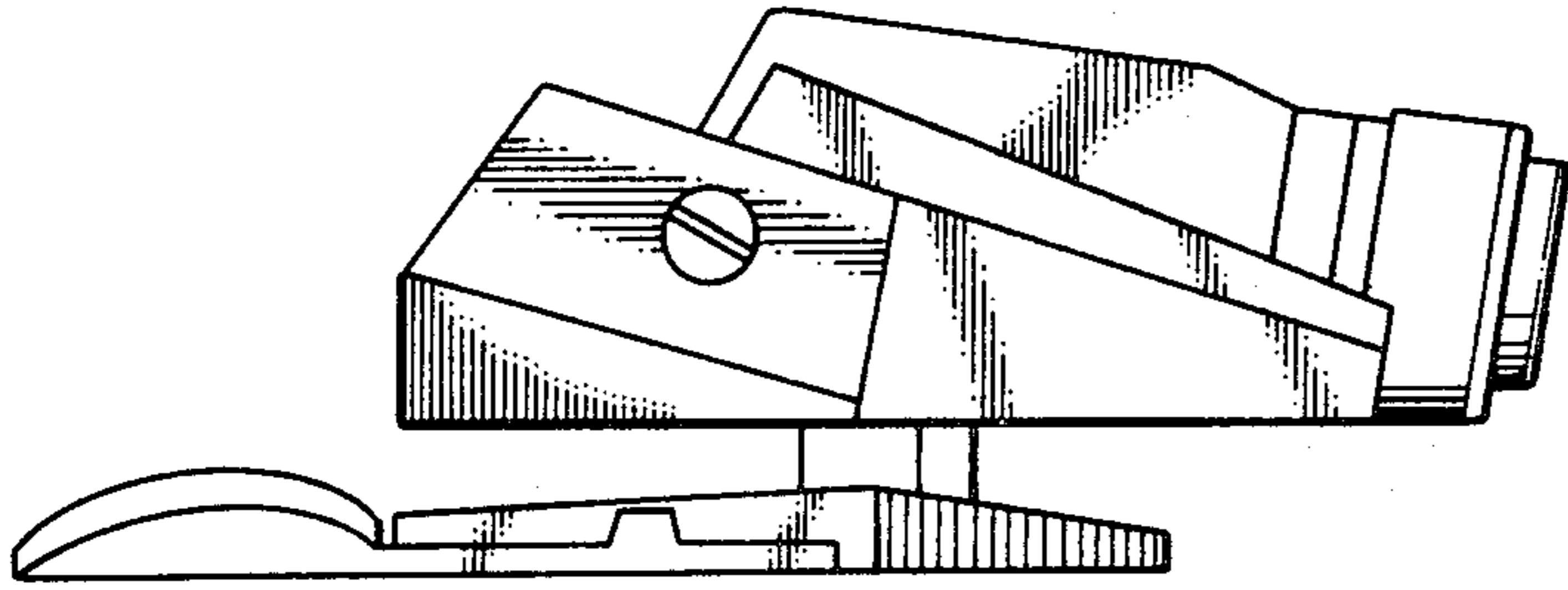


FIG. 2.

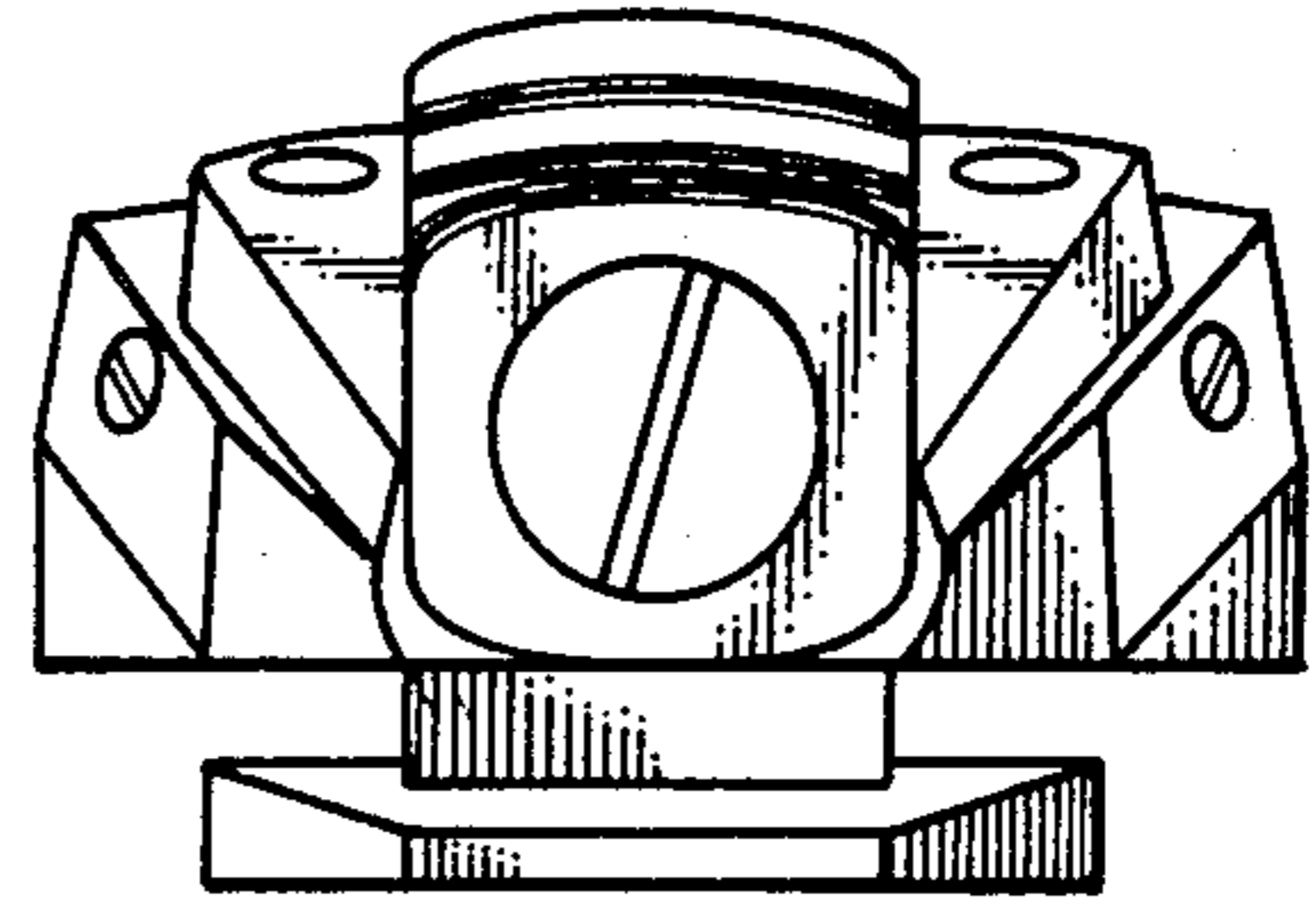


FIG. 3.

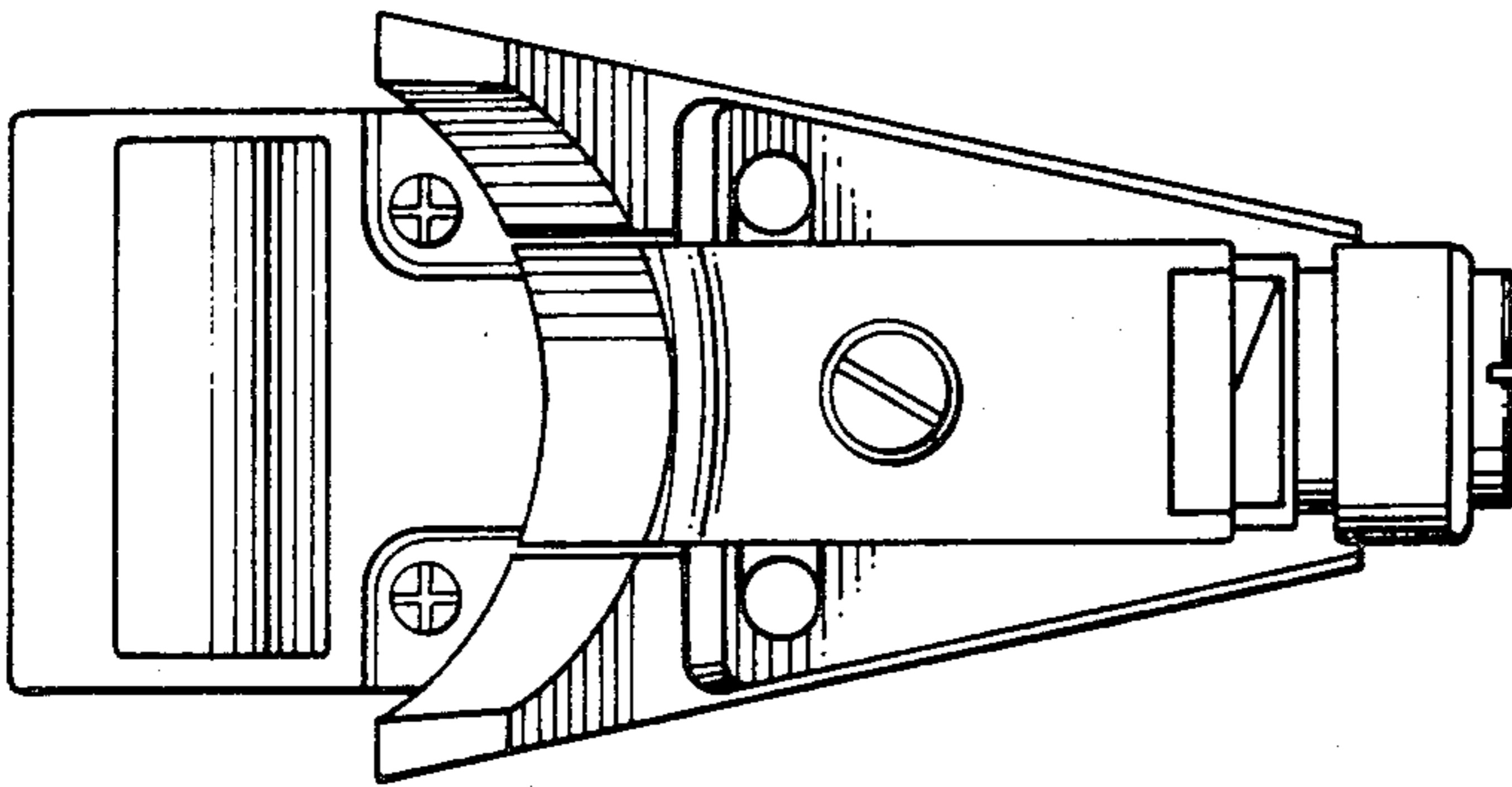


FIG. 4.

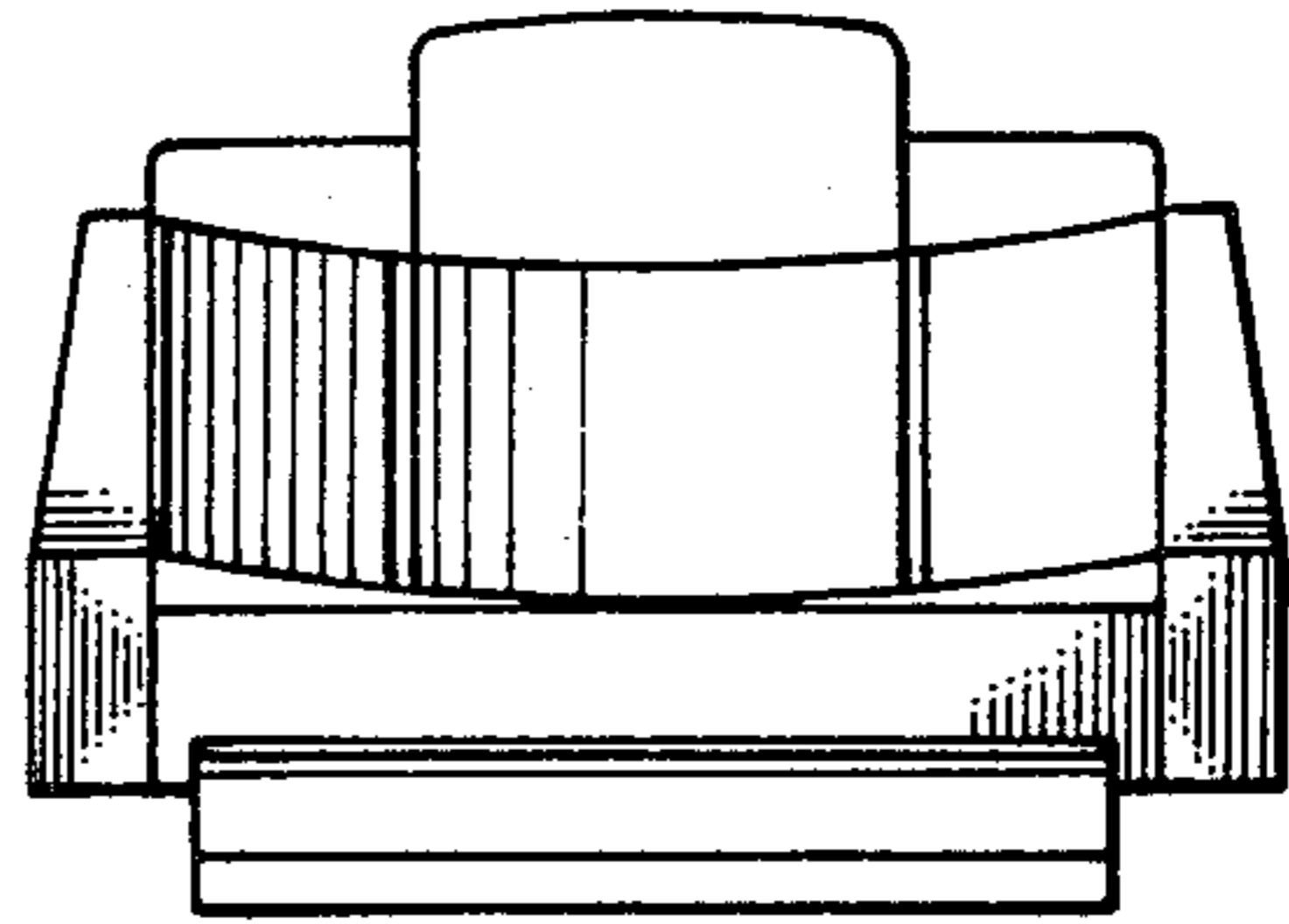


FIG. 5.

