

[54] **TOY DUMP TRUCK**

[76] **Inventor: John Dorelli, 315 Rose St.,
Glenwood, Ill. 60425**

[**] **Term: 14 Years**

[21] **Appl. No.: 595,578**

[22] **Filed: Apr. 2, 1984**

[52] **U.S. Cl. D21/134**

[58] **Field of Search D21/76, 78, 79, 128,
D21/132, 134, 140, 135; 446/431, 465, 470, 471**

[56] **References Cited**

U.S. PATENT DOCUMENTS

D. 86,303 2/1932 Decker D21/135
D. 139,178 10/1944 Hickling D21/140
2,233,116 2/1941 Voorheis D21/78

2,311,123 2/1943 Osborne D21/78

Primary Examiner—Charles A. Rademaker
Attorney, Agent, or Firm—Sabin C. Bronson

[57] **CLAIM**

The ornamental design for a toy dump truck, as shown and described.

DESCRIPTION

FIG. 1 is a perspective view of a toy dump truck showing my new design;
FIG. 2 is a top plan view thereof;
FIG. 3 is a front elevational view thereof;
FIG. 4 is a side elevational view thereof, the side opposite being substantially a mirror image;
FIG. 5 is a top plan view thereof; and,
FIG. 6 is a rear elevational view thereof.

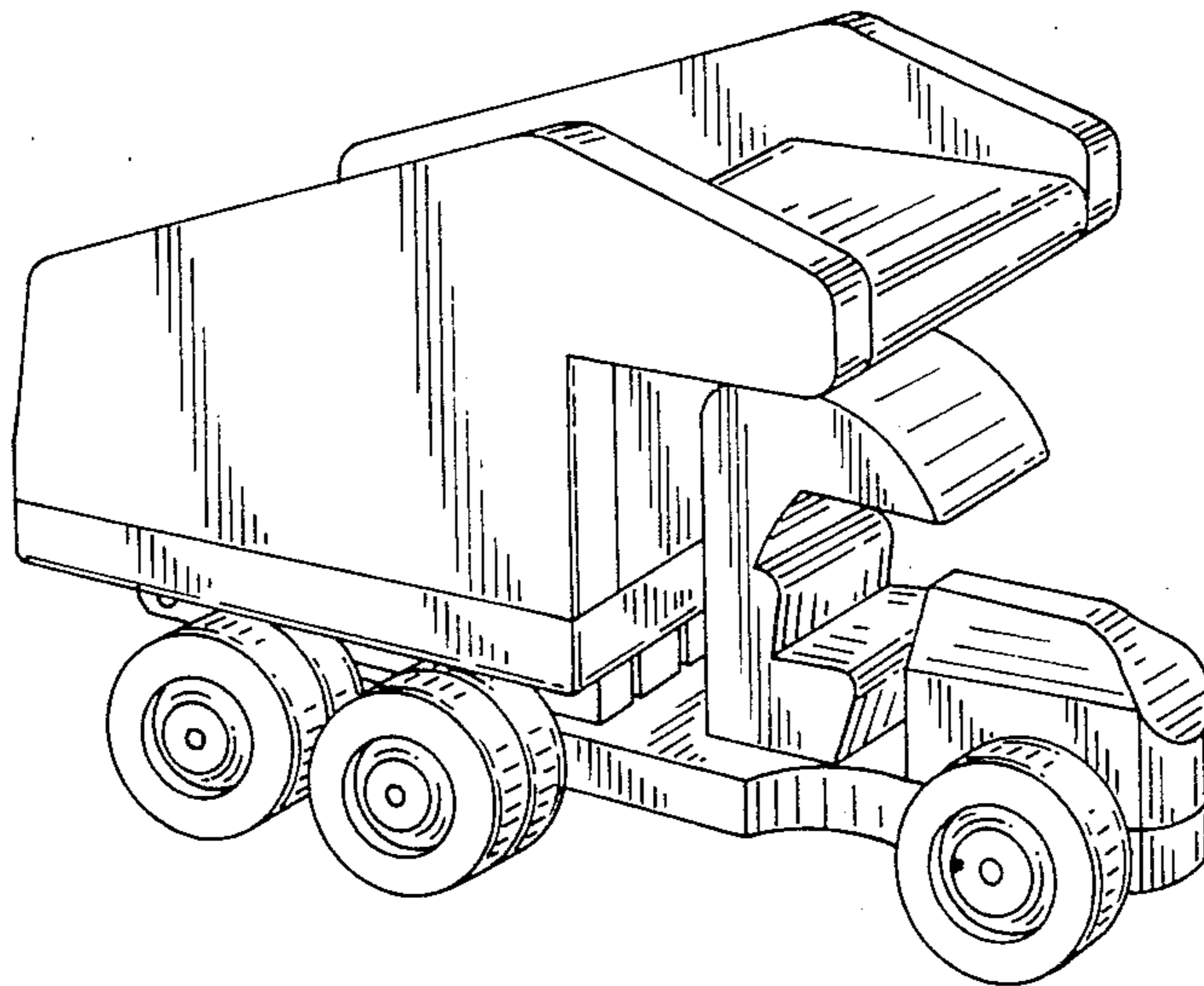


FIG-1-

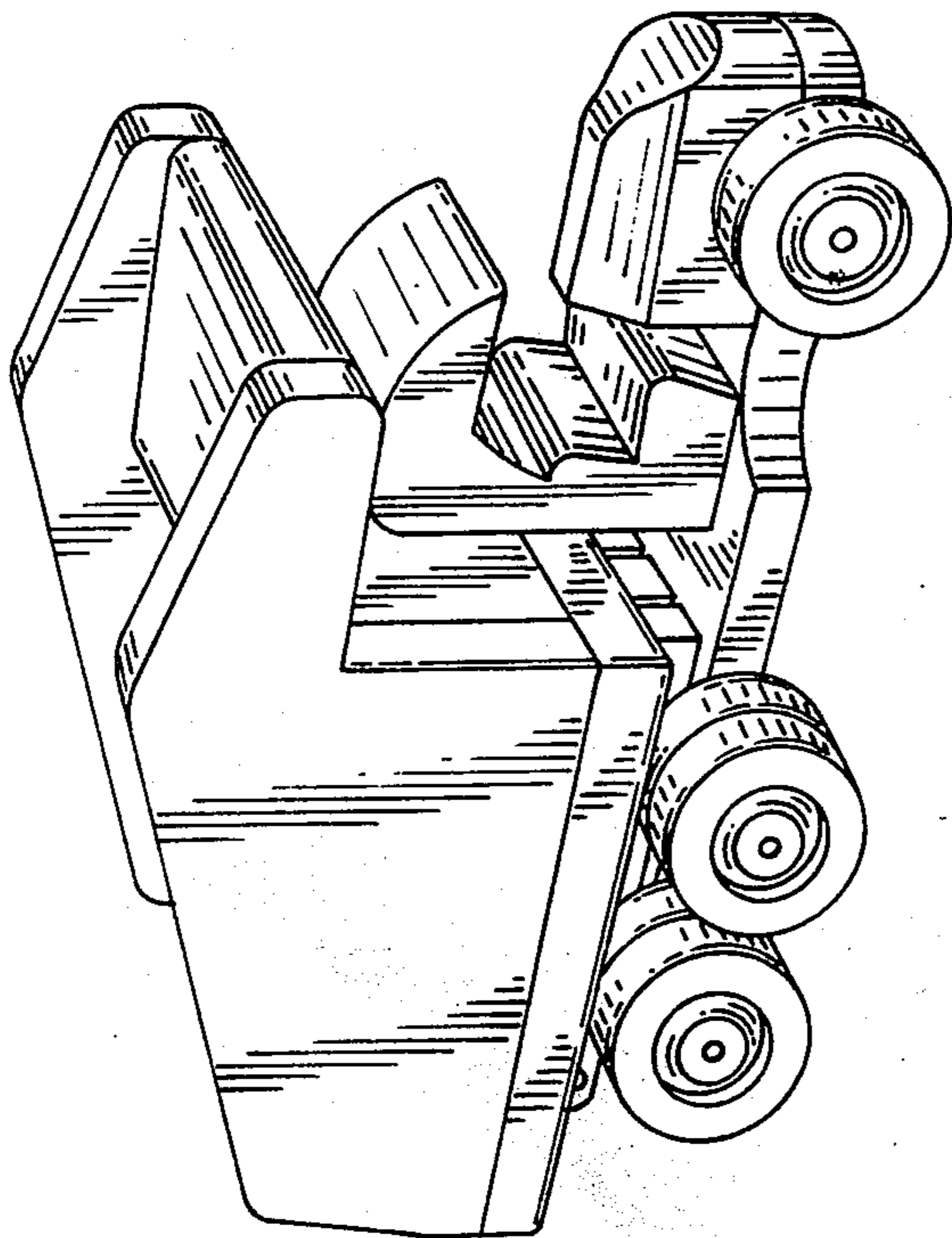


FIG-3-

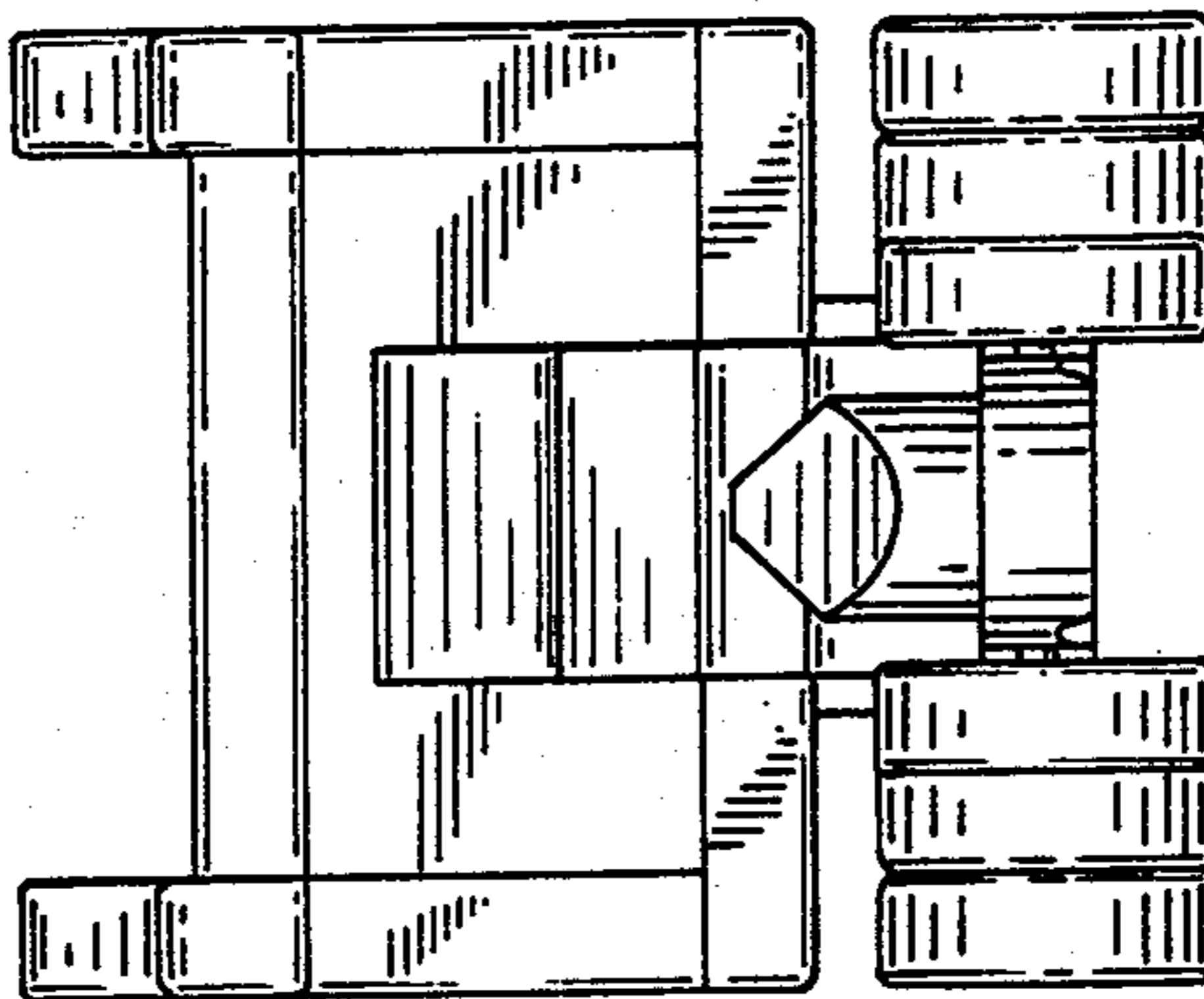


FIG-2-

