

[54] **HOLDER FOR A MULTIPLE PHOTOGRAPH AND INFORMATION MAT AND TELEPHONE DIRECTORY**

D. 272,701 2/1984 Doyel D6/314
D. 276,656 1/1983 Vevirit D19/92
D. 278,109 3/1985 Leeds D19/91

[76] Inventor: **Alfred A. Anthony**, 10 Bradley St., Westport, Conn. 06880

Primary Examiner—George P. Word
Attorney, Agent, or Firm—Mattern, Ware, Stoltz & Fressola

[**] Term: **14 Years**

[57] **CLAIM**

[21] Appl. No.: **489,484**

The ornamental design for a holder for a multiple photograph and information mat and telephone directory, as shown.

[22] Filed: **Apr. 28, 1983**

[52] U.S. Cl. **D19/91; D6/314; D19/92**

DESCRIPTION

[58] Field of Search **D19/20, 25, 52, 75, D19/77, 78, 90-92; D6/310, 314**

FIG. 1 is a perspective view of a holder for a multiple photograph and information mat and telephone directory showing my new design;
FIG. 2 is a front elevational view thereof;
FIG. 3 is a left side elevational view thereof;
FIG. 4 is a rear elevational view thereof;
FIG. 5 is a top plan view thereof; and
FIG. 6 is a bottom plan view thereof.

[56] **References Cited**

U.S. PATENT DOCUMENTS

D. 141,059 5/1945 Siegel D6/314
D. 157,715 3/1950 Wolfe D19/52
D. 243,524 3/1977 Intini D6/314

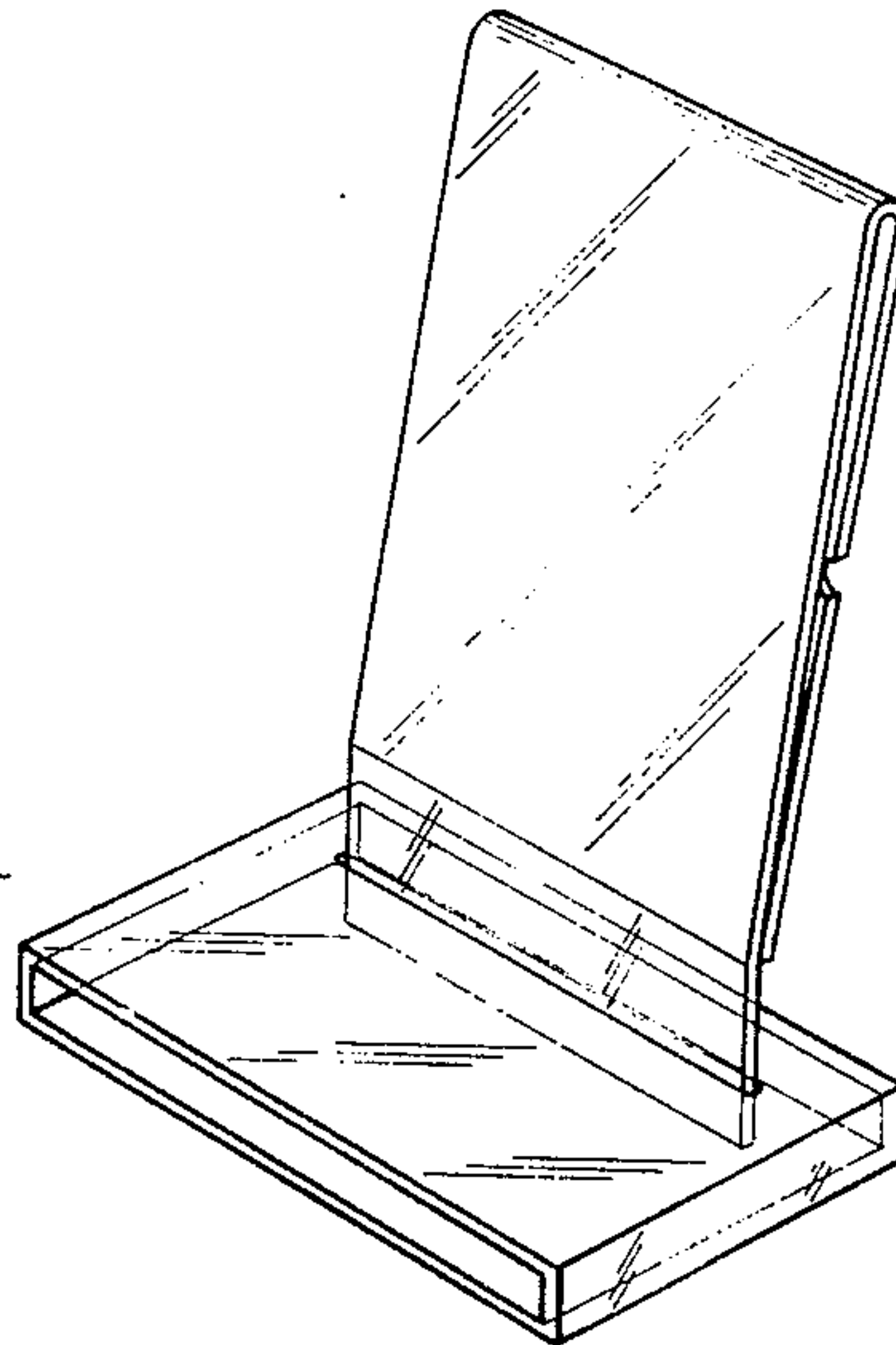


FIG. 1

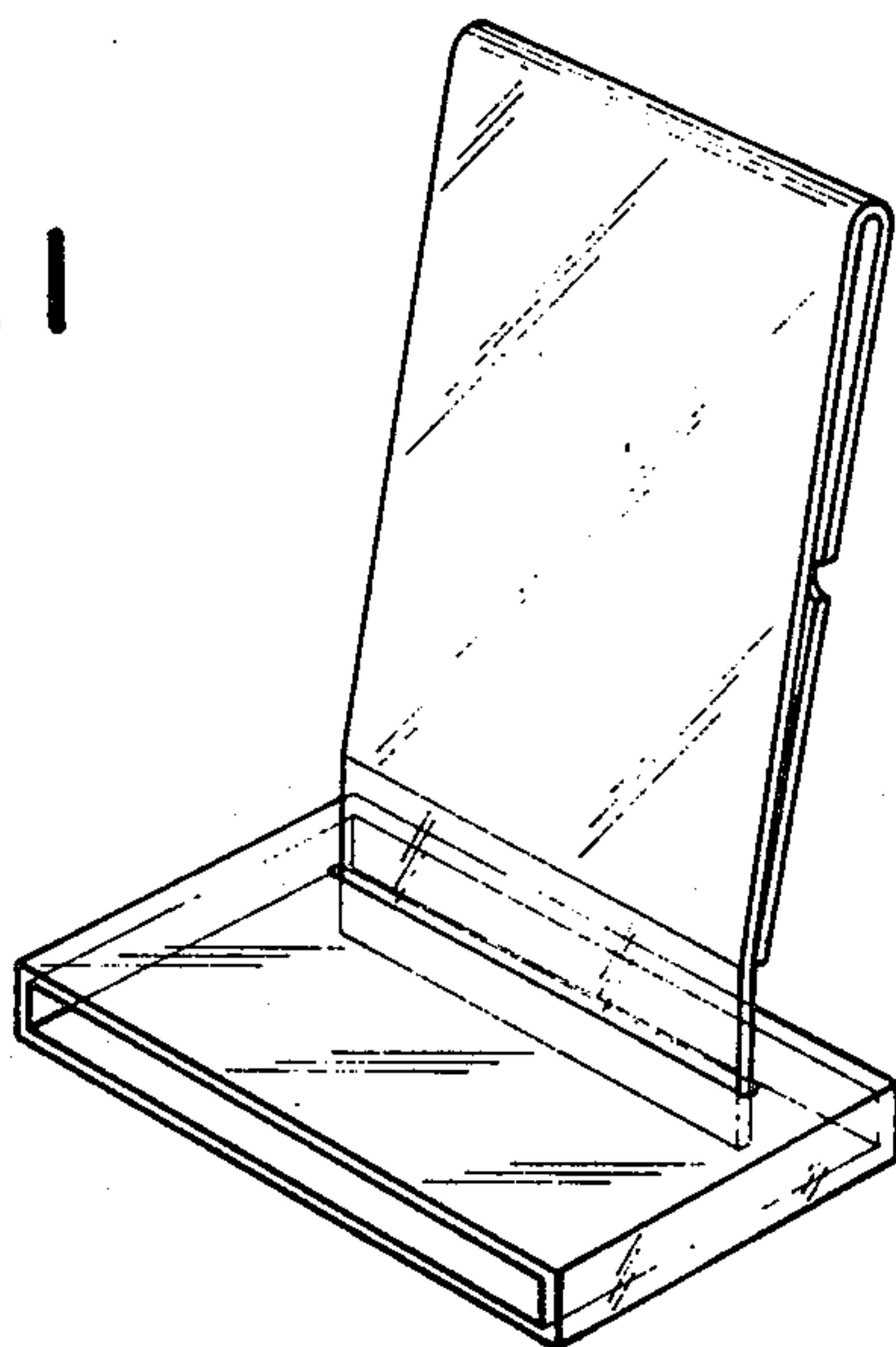


FIG. 2

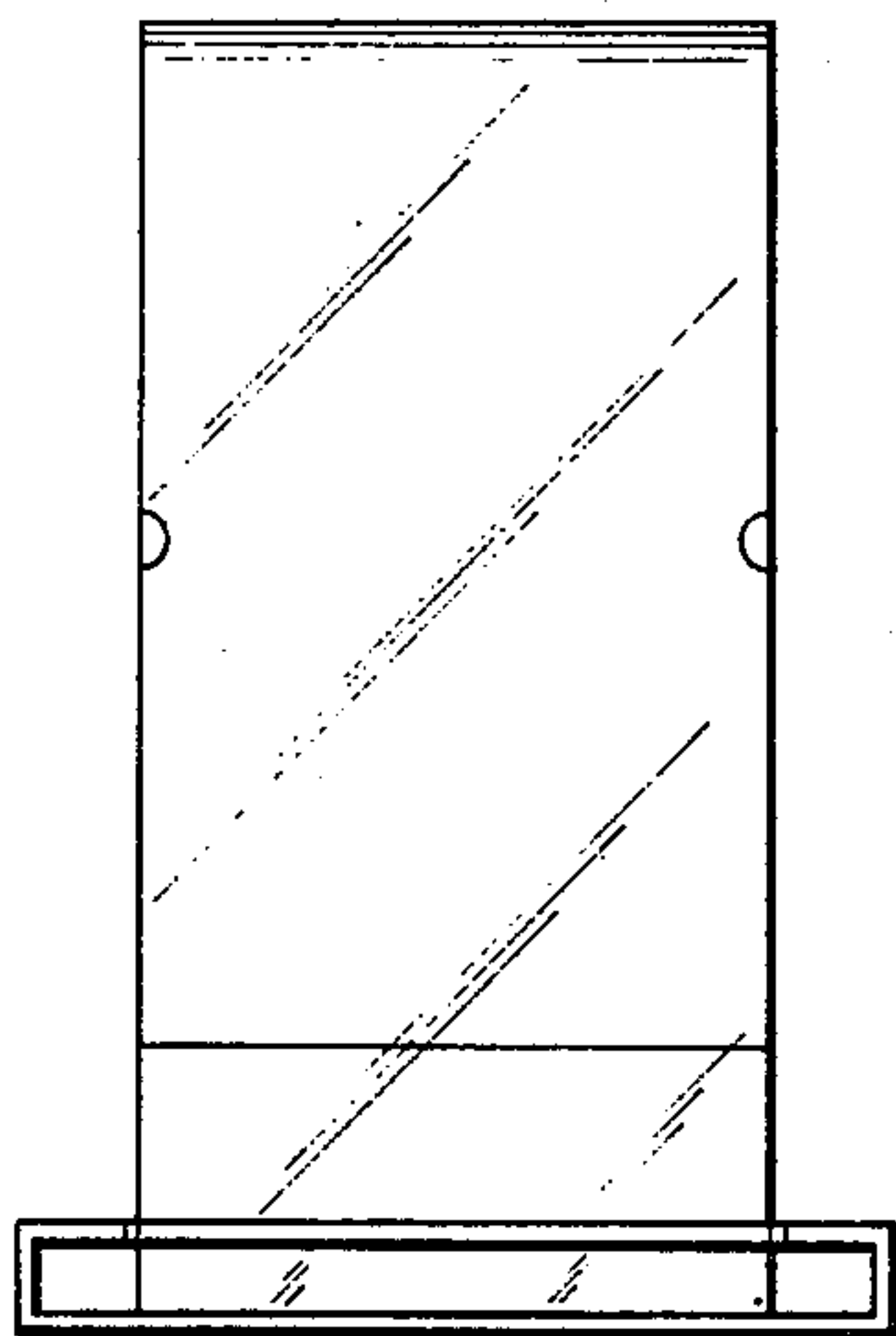


FIG. 3

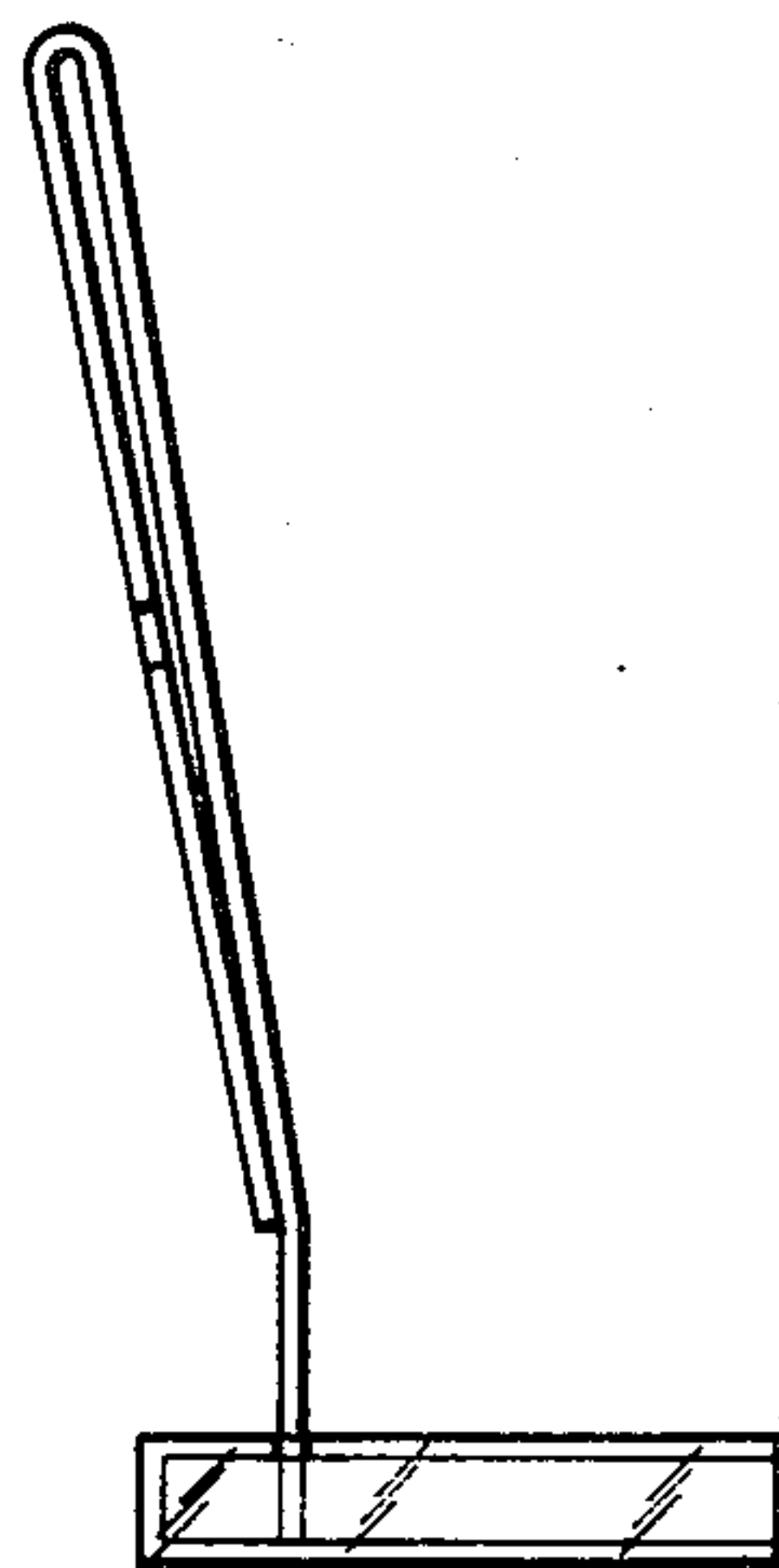


FIG. 4

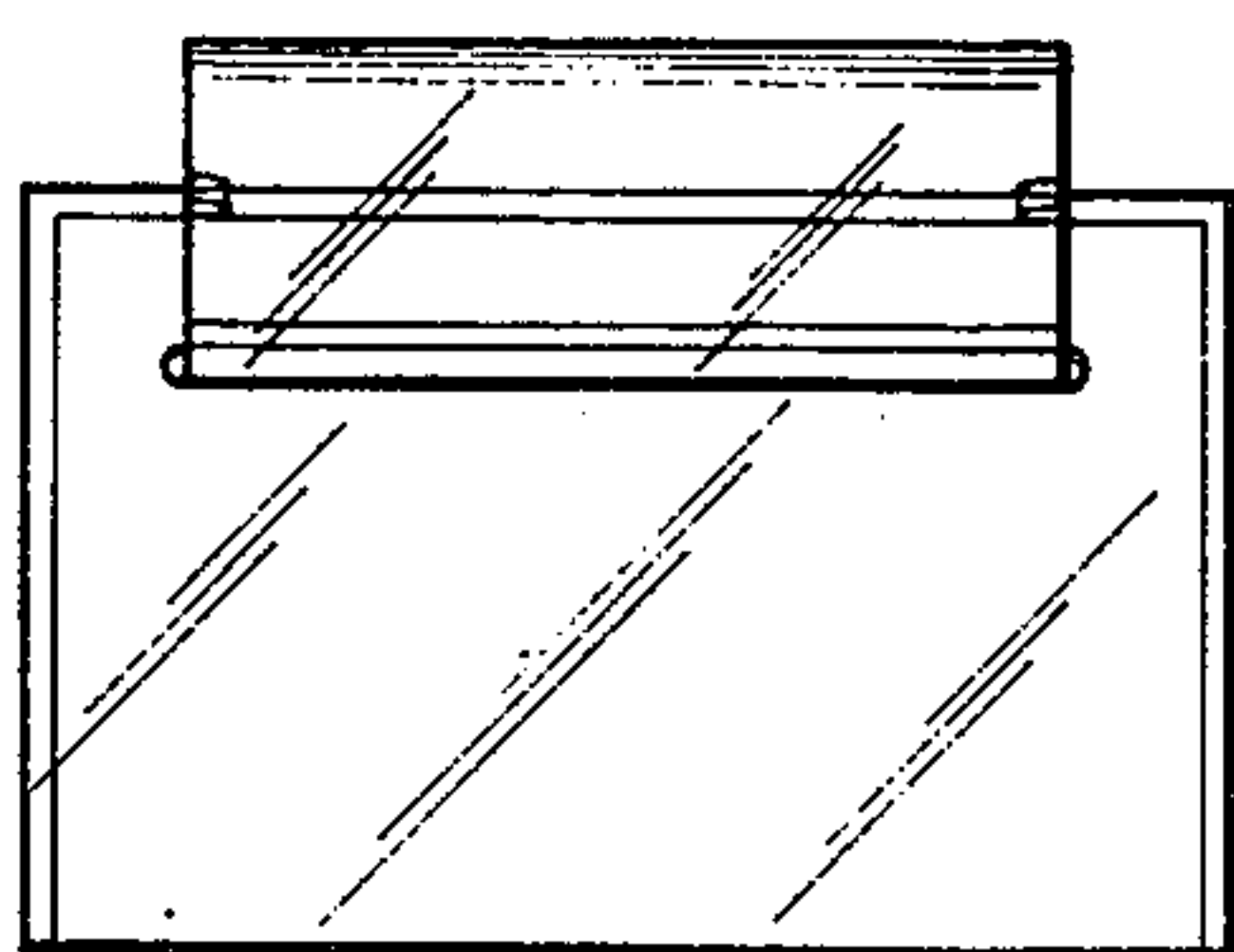
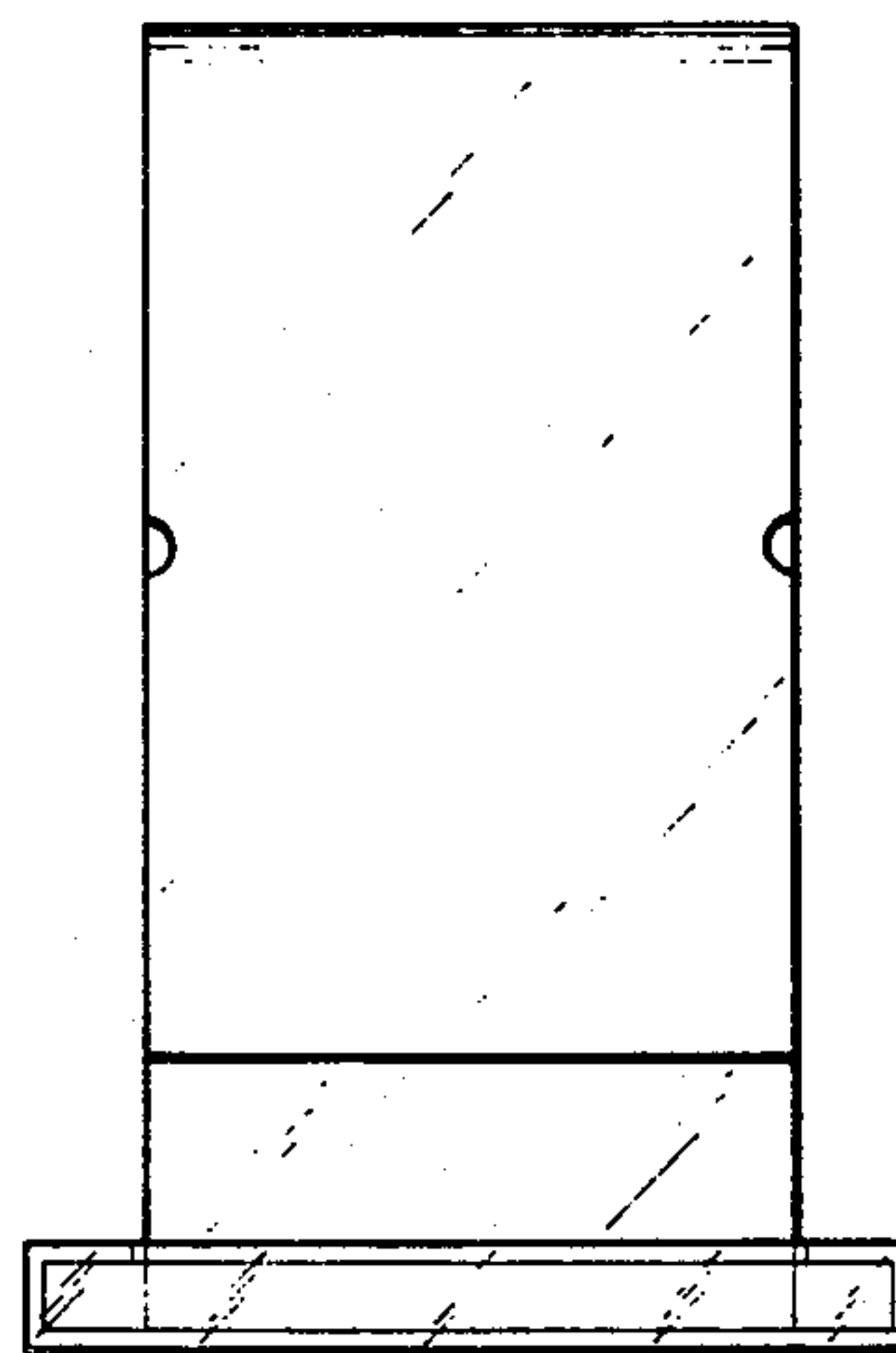


FIG. 5

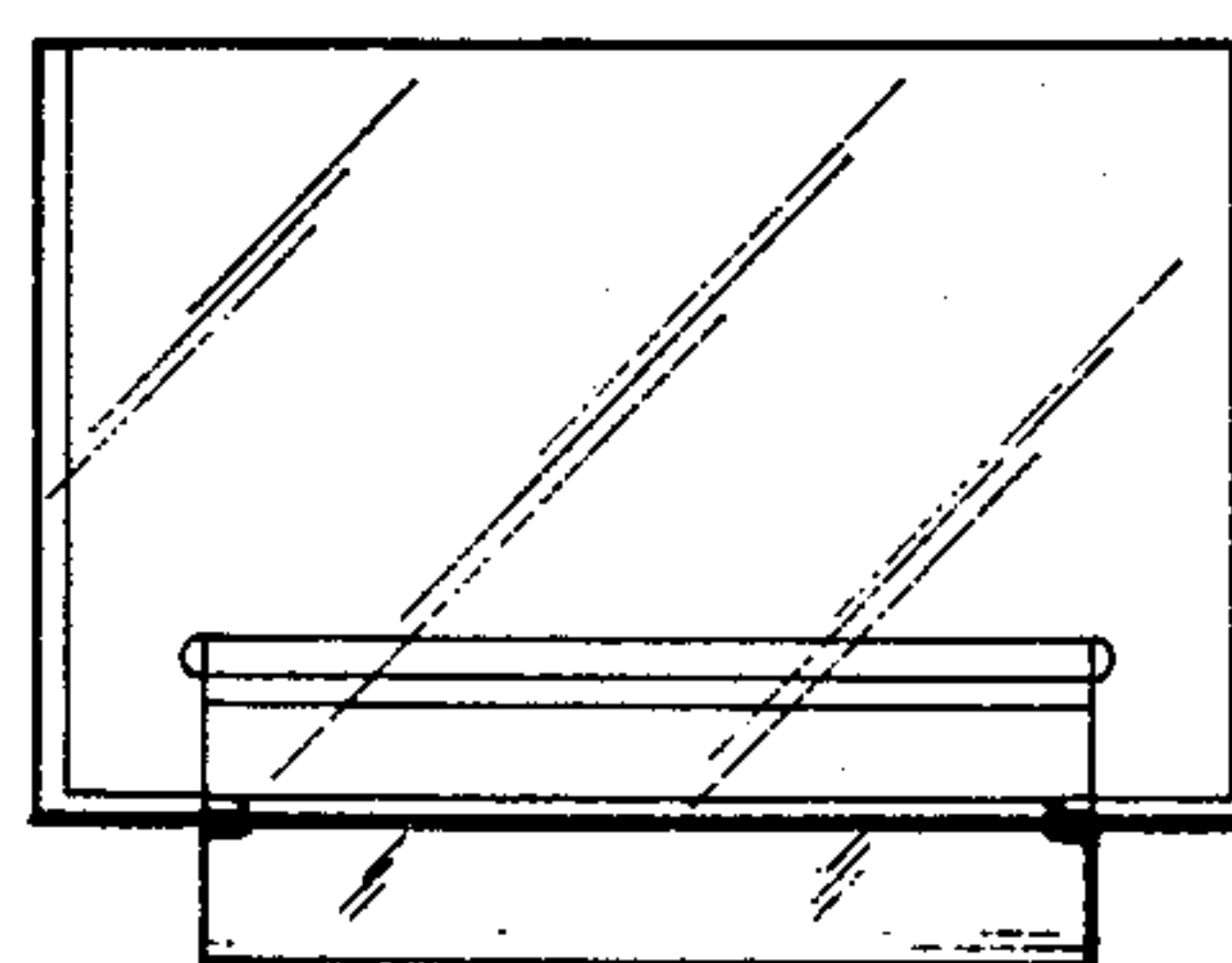


FIG. 6