

# United States Patent [19]

McKinnon, Jr.

[11] Patent Number: **Des. 284,776**

[45] Date of Patent: **\*\* Jul. 22, 1986**

[54] **CLIP BOARD**

[75] Inventor: **Raymond J. McKinnon, Jr.**, Castro Valley, Calif.

[73] Assignee: **Ampex Corporation**, Redwood City, Calif.

[\*\*] Term: **14 Years**

[21] Appl. No.: **483,059**

[22] Filed: **Apr. 6, 1983**

[52] U.S. Cl. .... **D19/88; D19/91**

[58] Field of Search ..... **D19/26, 27, 75, 86, D19/88, 89, 90, 91; 248/452; 40/350, 16.6; 24/16.3**

[56] **References Cited**

## U.S. PATENT DOCUMENTS

D. 236,342 8/1975 Dango ..... D19/91

D. 266,858 11/1982 Cole ..... D19/90  
3,833,970 9/1974 Smith, Jr. .... D19/88  
3,958,788 5/1976 Feibelman ..... D19/90

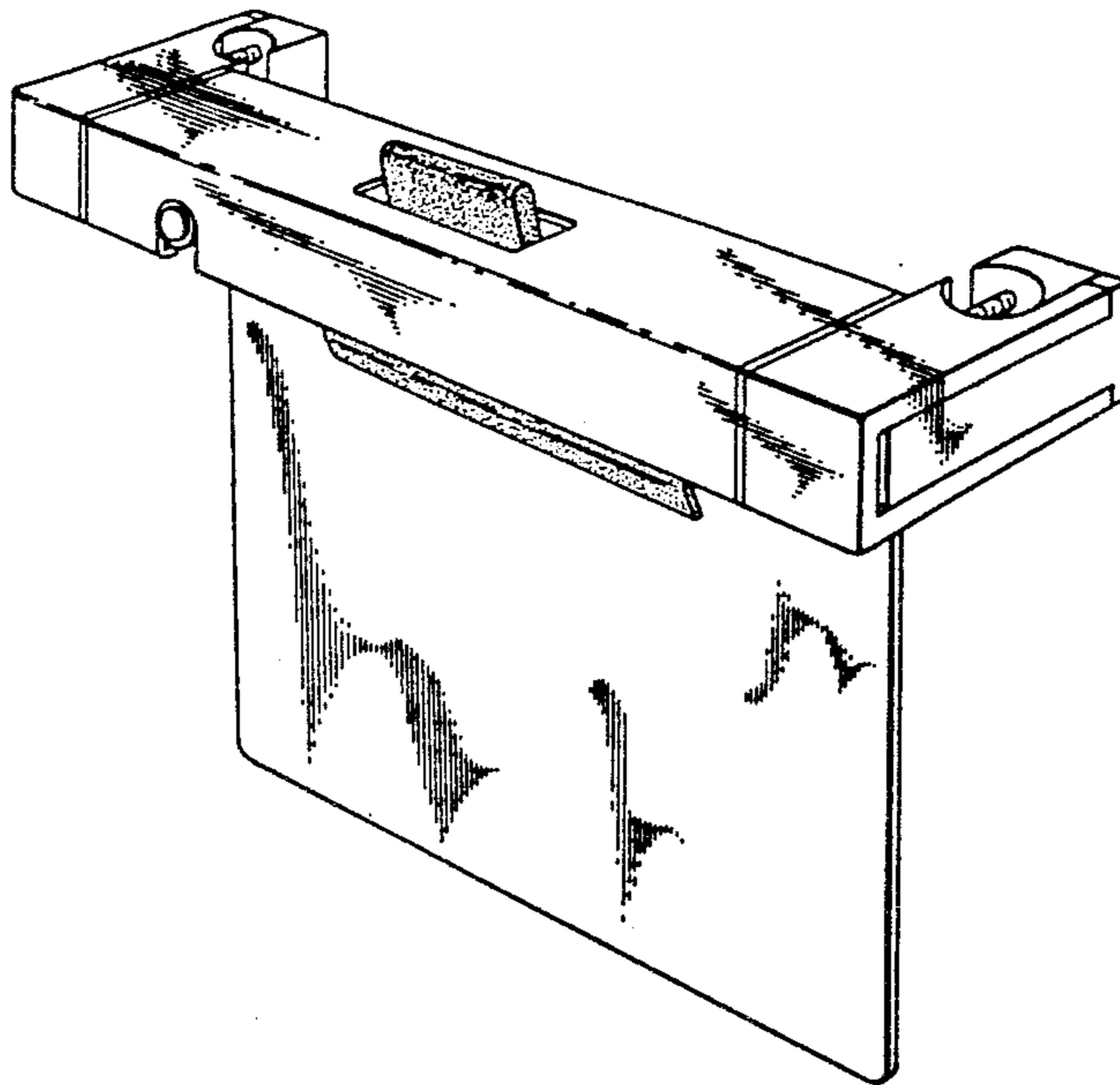
*Primary Examiner*—George P. Word  
*Attorney, Agent, or Firm*—Harry G. Thibault; Charles M. Carman, Jr.; Joel D. Talcott

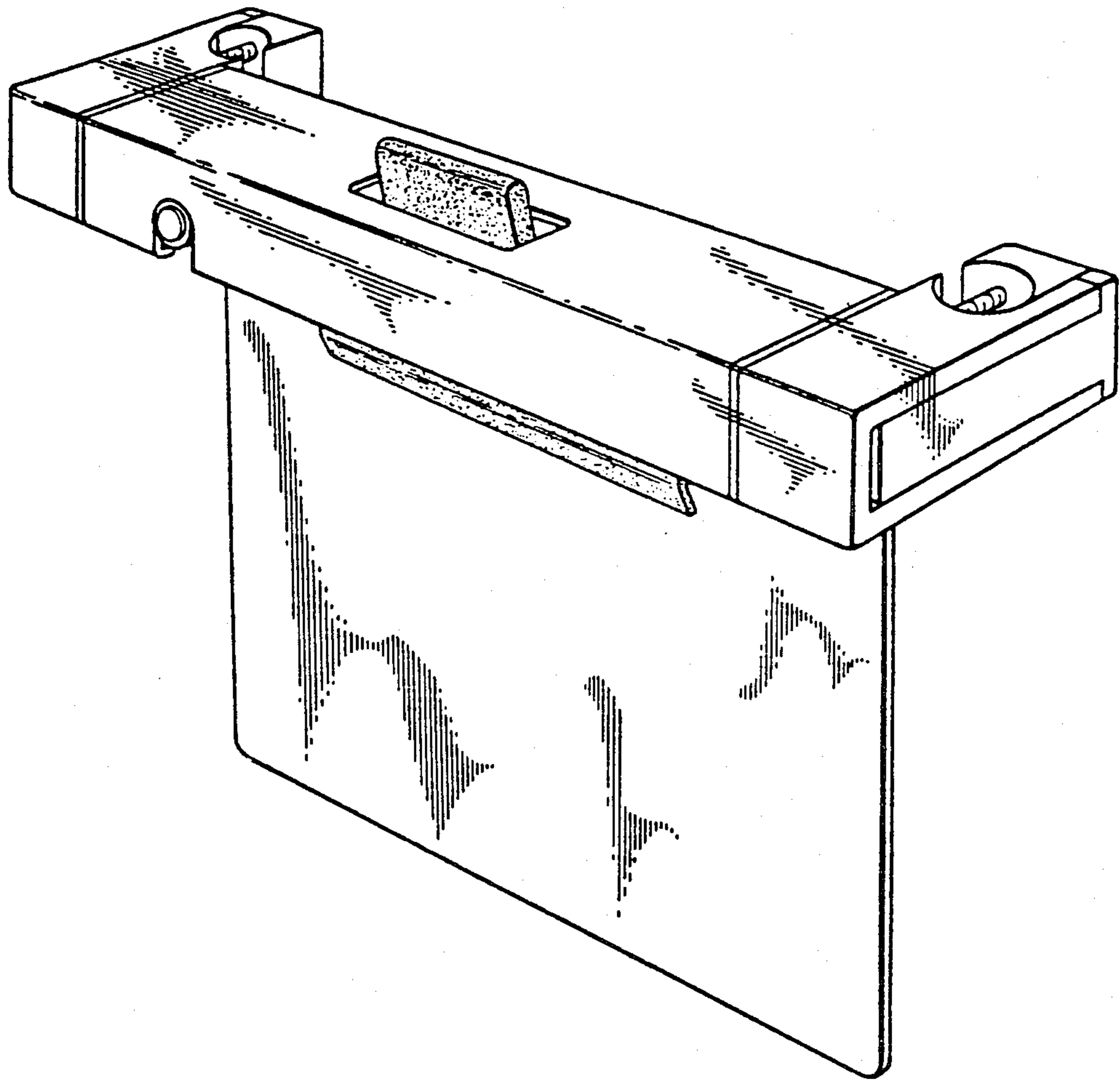
[57] **CLAIM**

The ornamental design for a clip board, substantially as shown and described.

## DESCRIPTION

FIG. 1 is a front and right side perspective view of a clip board showing my new design, the left side being a mirror image of the right side;  
FIG. 2 is a rear elevational view of the clip board of FIG. 1; and  
FIG. 3 is a bottom plan view of the clip board of FIGS. 1 and 2.





**FIG. 1**

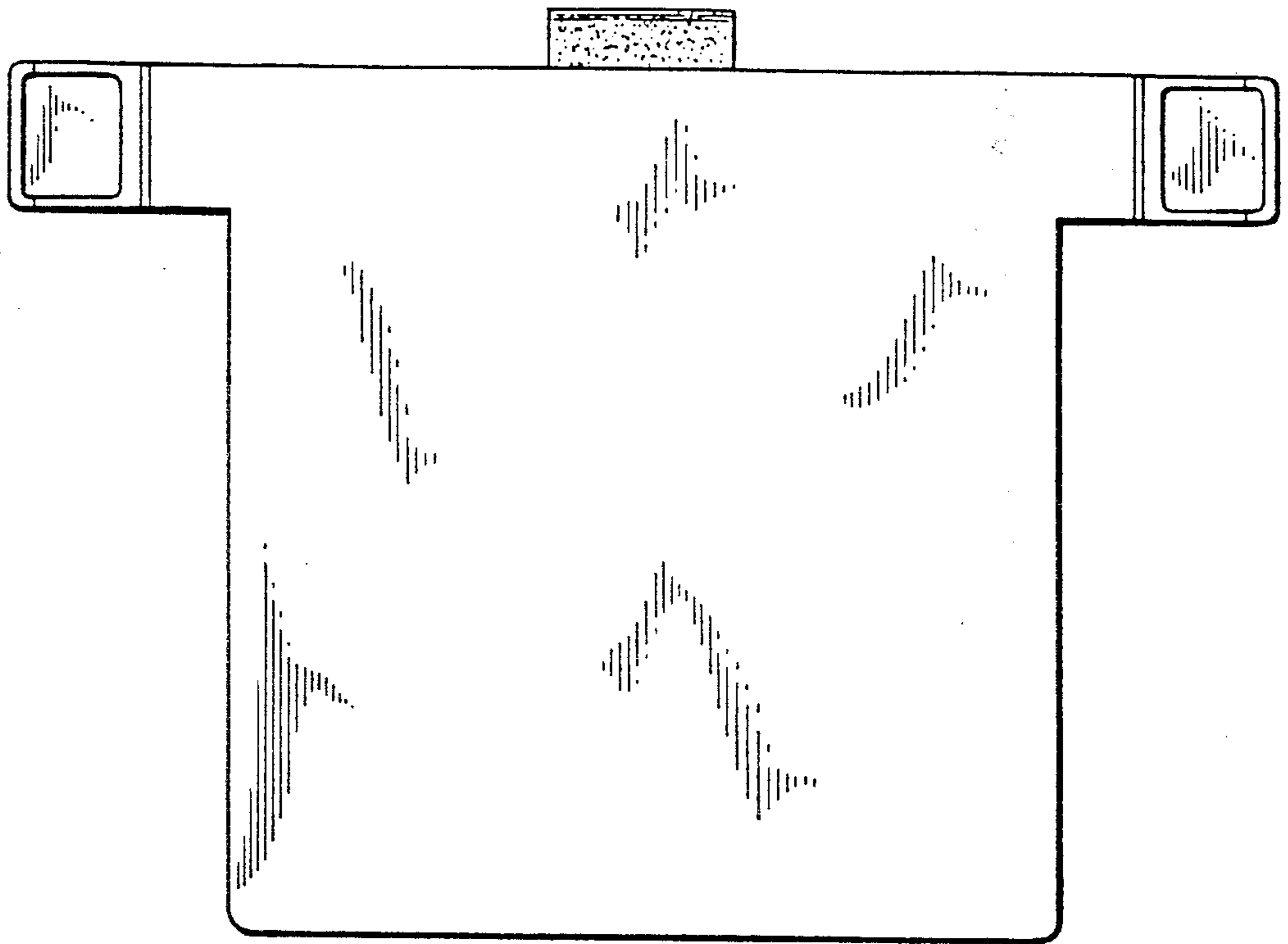


FIG. 2

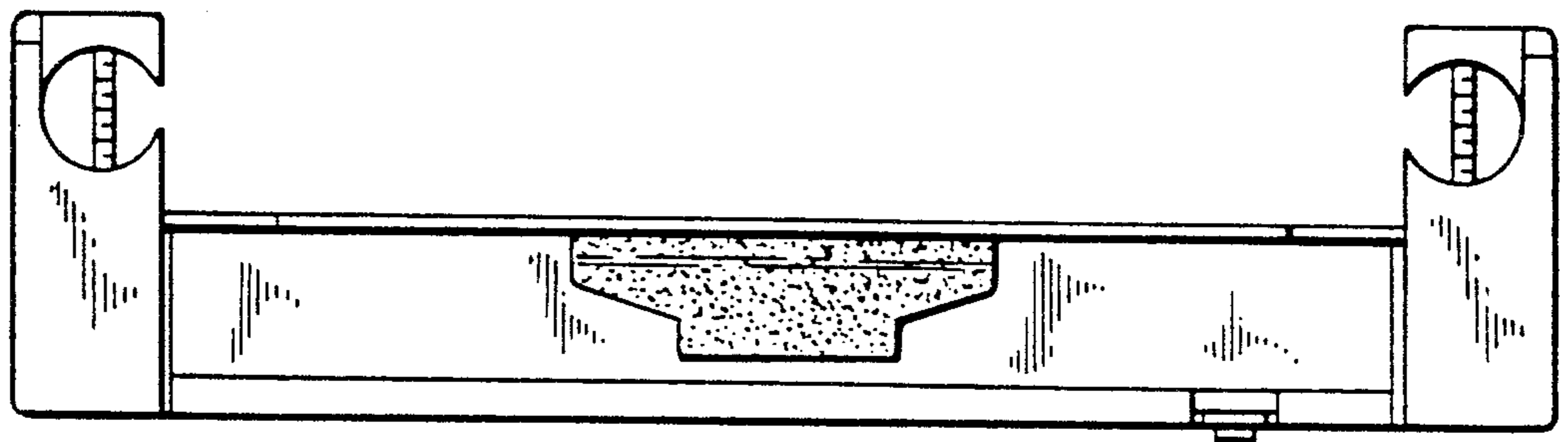


FIG. 3