

United States Patent [19]

Akiyama

[11] Patent Number: **Des. 284,775**

[45] Date of Patent: **** Jul. 22, 1986**

[54] **SPELLING GAME EDUCATIONAL UNIT**

[76] Inventor: **Joseph S. Akiyama**, 3291 S. Holly Pl.,
Denver, Colo. 80222

[**] Term: **14 Years**

[21] Appl. No.: **542,604**

[22] Filed: **Oct. 17, 1983**

[52] U.S. Cl. **D19/64**

[58] Field of Search **D19/59, 64, 62;**
434/167, 159, 174

[56]

References Cited

U.S. PATENT DOCUMENTS

445,759	2/1891	Dofflemyer et al.	434/167
1,470,845	10/1923	Johnson	434/174
2,461,926	2/1949	Russell	434/174
2,976,621	3/1961	Lowe, Jr.	434/174
3,674,905	7/1972	Collins, Sr.	434/174

4,026,043	5/1977	Caruso	434/174
4,340,373	7/1982	D'Andrade et al.	434/174

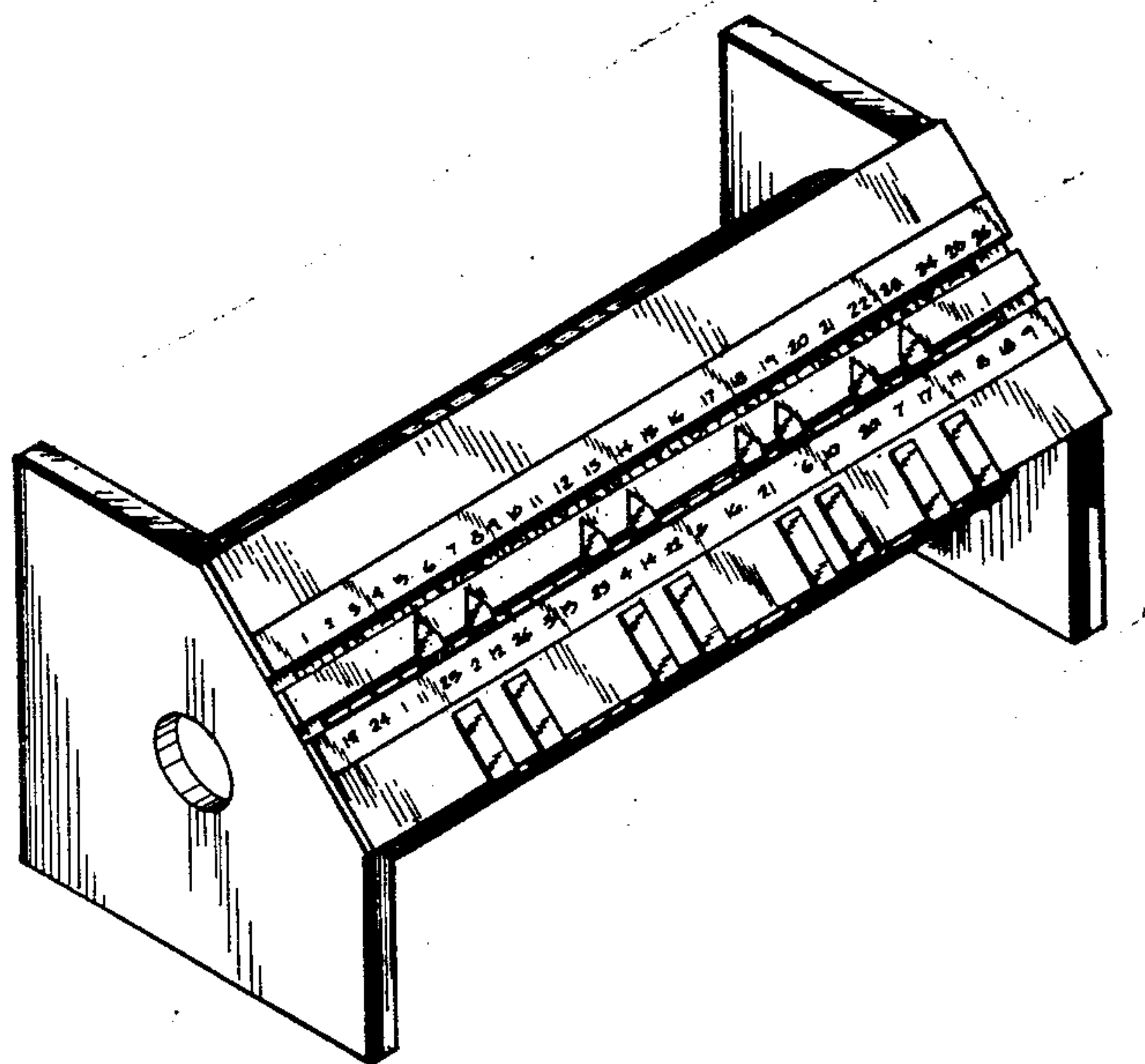
Primary Examiner—Bernard Ansher
Assistant Examiner—Theodore M. Shooman
Attorney, Agent, or Firm—Klaas & Law

[57] **CLAIM**

The ornamental design for a spelling game educational unit, as shown and described.

DESCRIPTION

FIG. 1 is a top and front perspective view of a spelling game educational unit showing my new design; FIG. 2 is a top plan view thereof; FIG. 3 is a front elevational view thereof; FIG. 4 is a rear elevational view thereof; FIG. 5 is a bottom plan view thereof; FIG. 6 is a left side elevational view thereof; and FIG. 7 is a right side elevational view thereof.



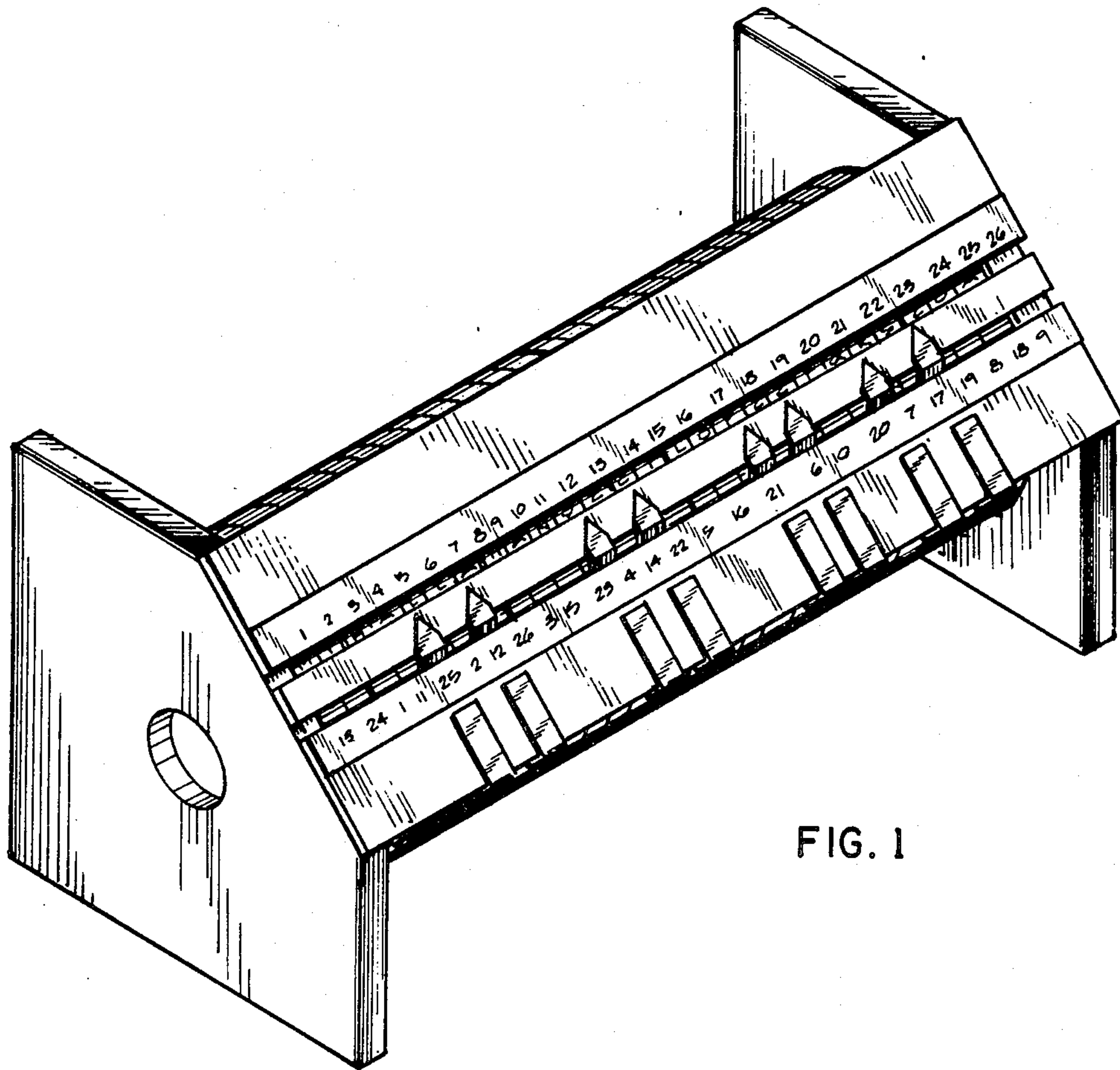


FIG. 1

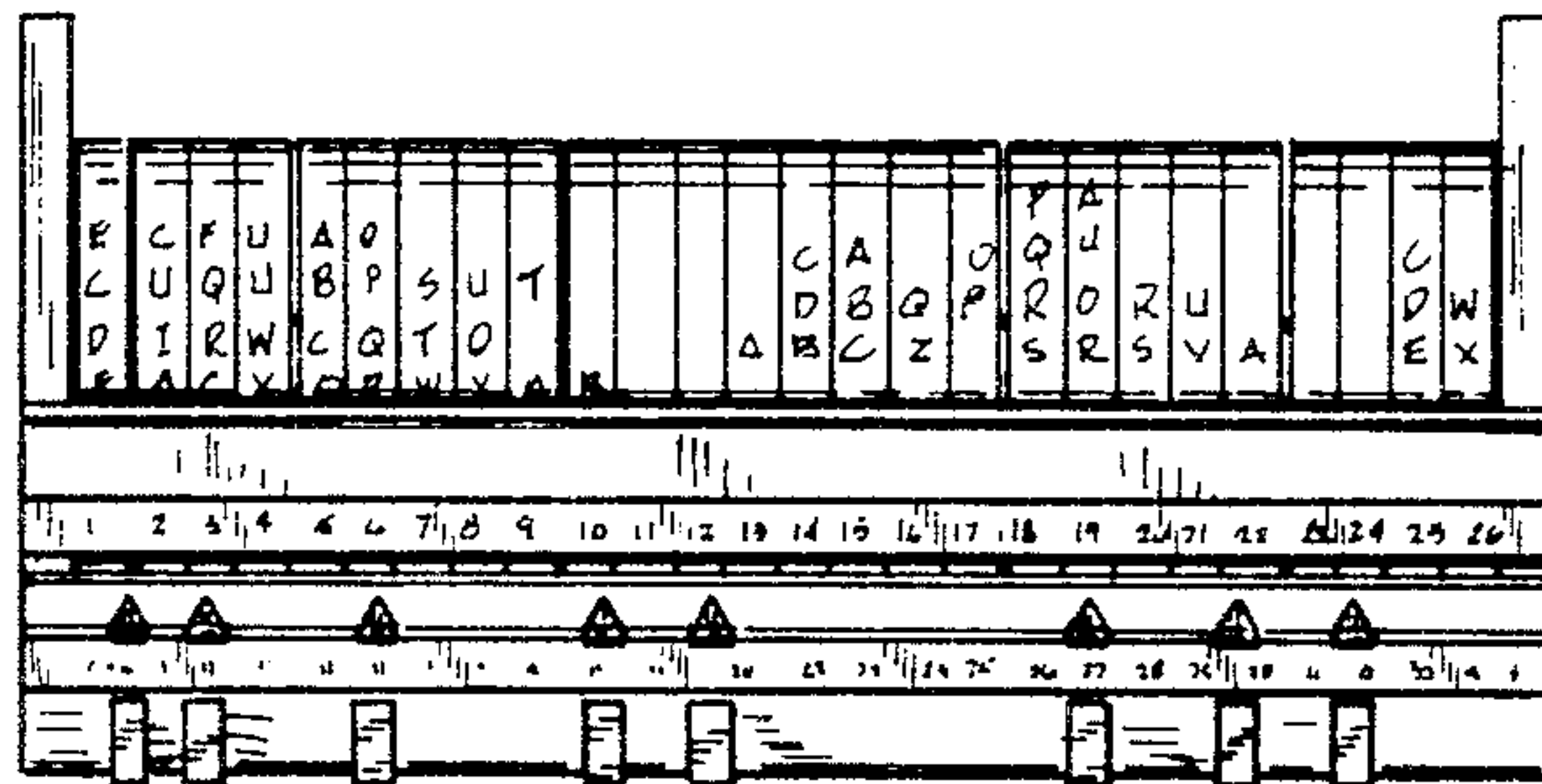


FIG. 2

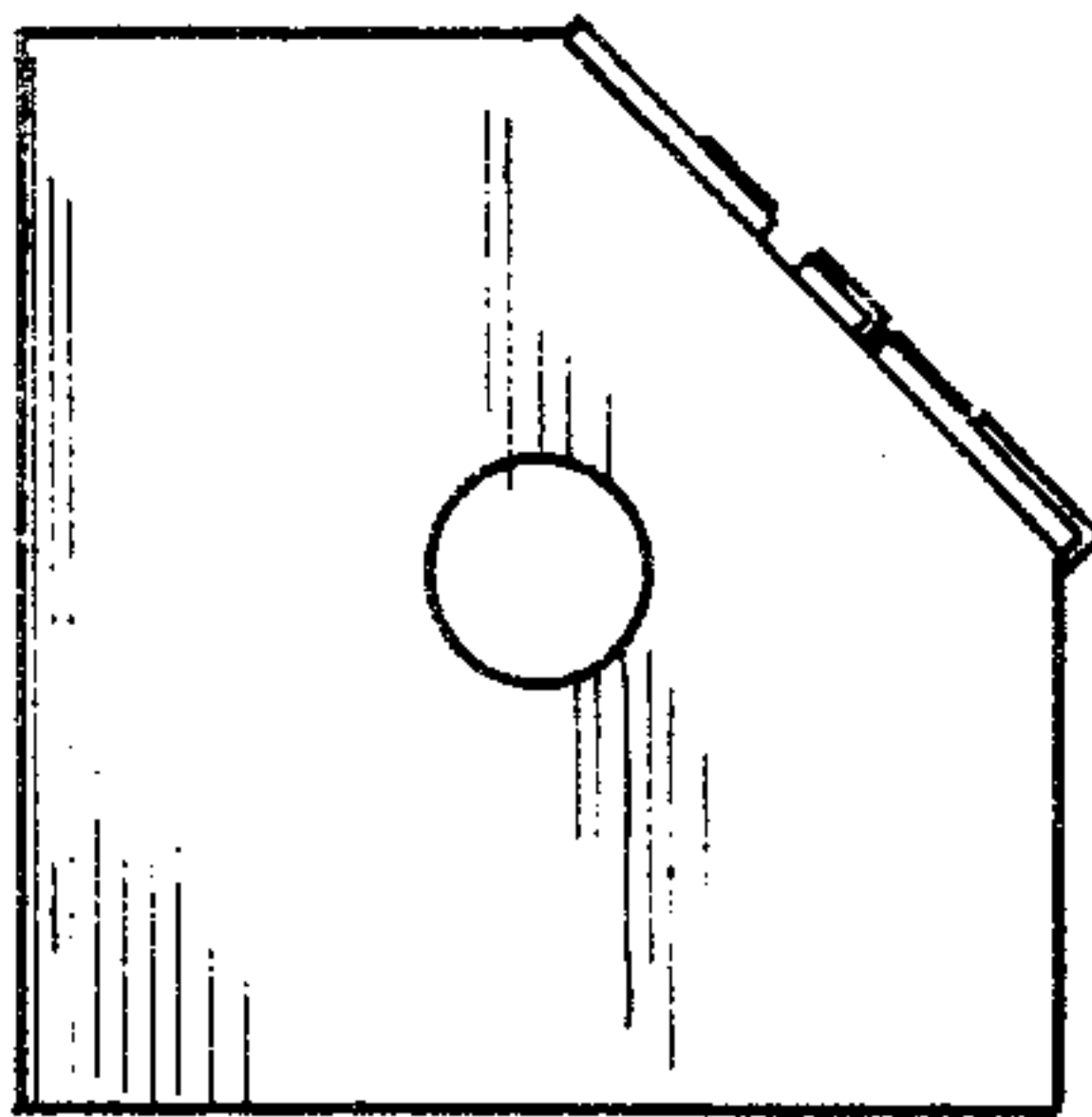


FIG. 6

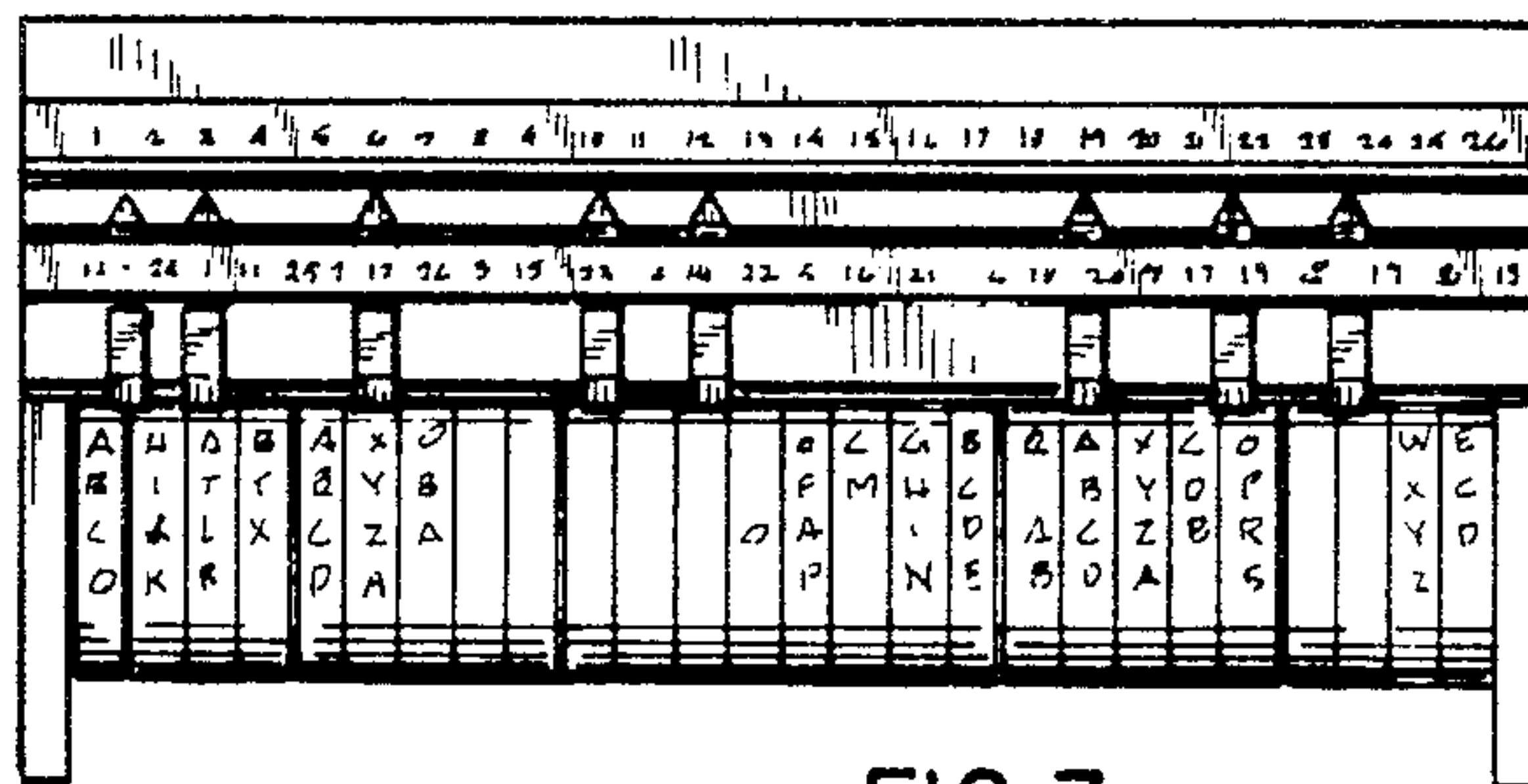


FIG. 3

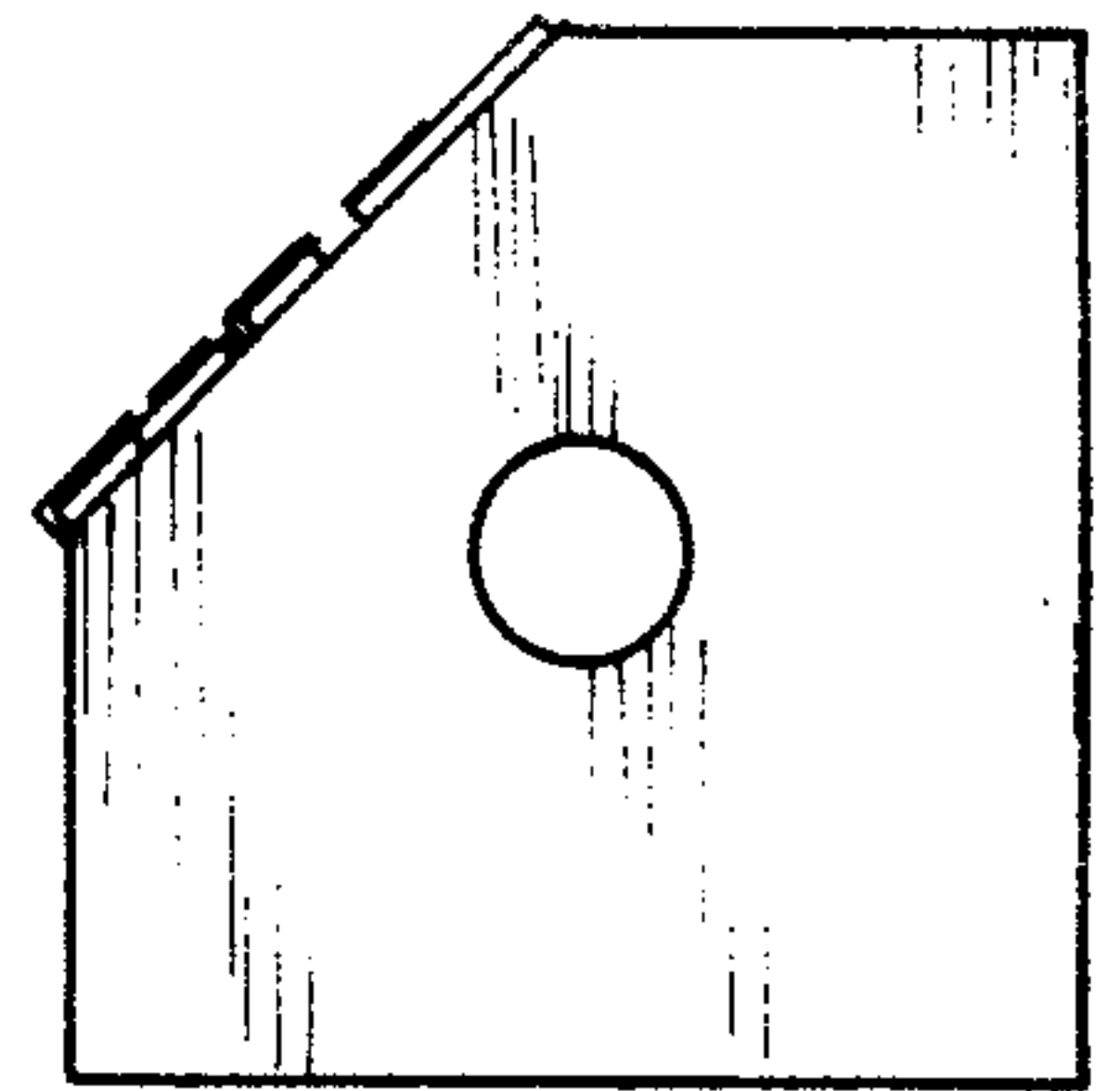


FIG. 7

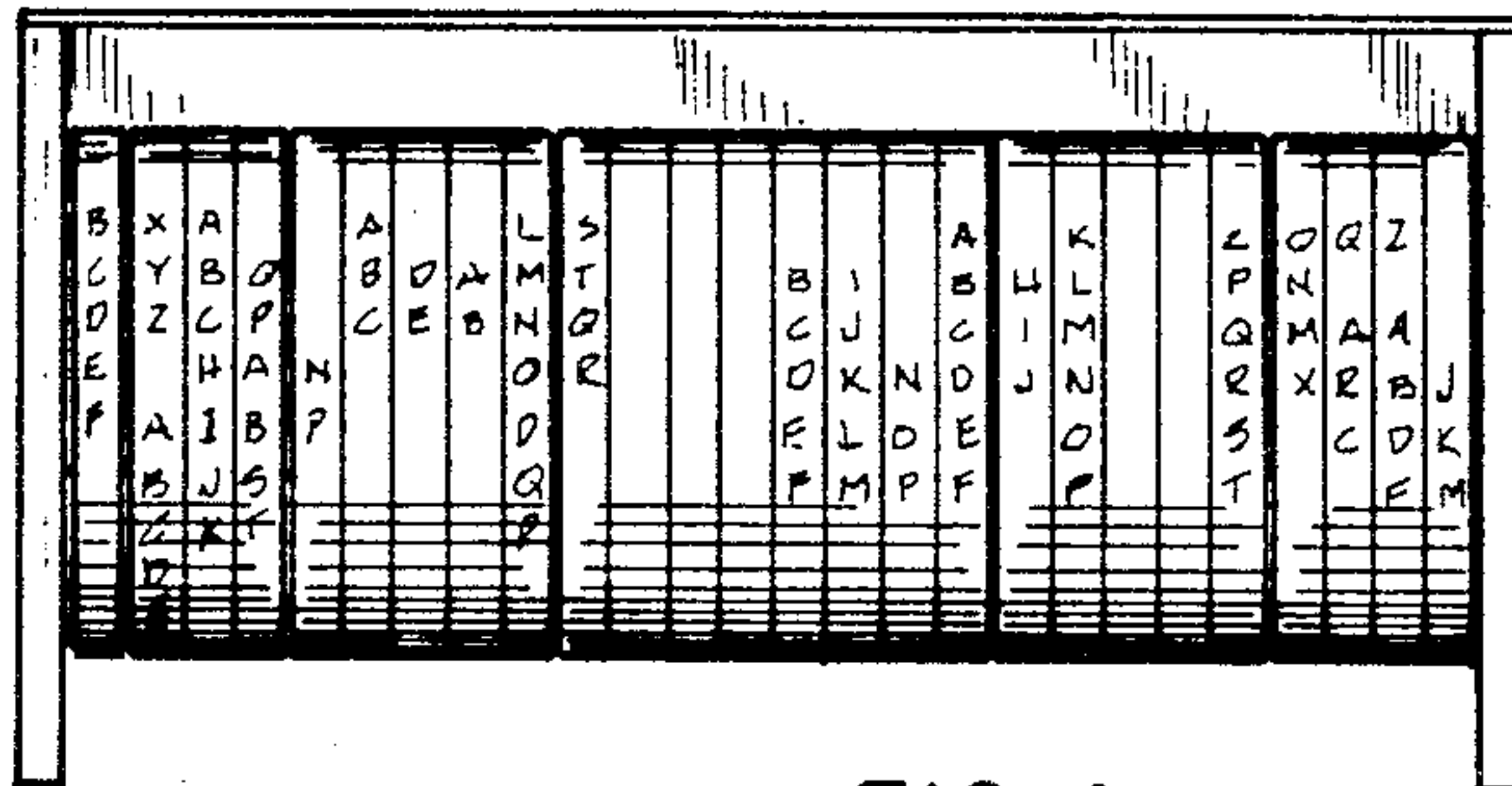


FIG. 4

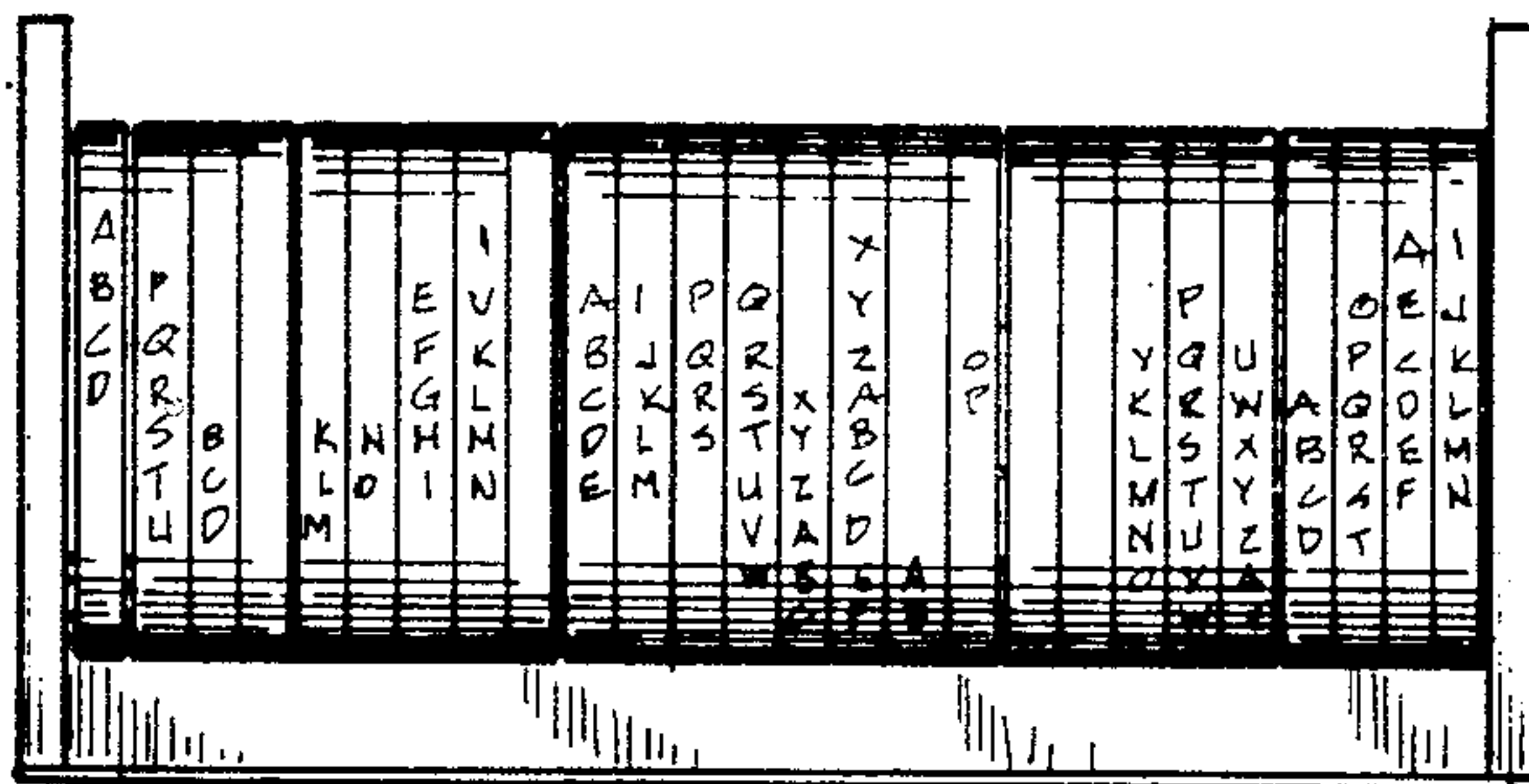


FIG. 5