

[54] 35MM CAMERA

[75] Inventor: Yasuhiko Nakayama, Suwa, Japan

[73] Assignee: Chinon Kabushiki Kaisha, Nagano, Japan

[\*\*] Term: 14 Years

[21] Appl. No.: 637,956

[22] Filed: Aug. 6, 1984

[30] Foreign Application Priority Data

Feb. 22, 1984 [JP] Japan ..... 59-6451

[52] U.S. Cl. .... D16/6; D16/1

[58] Field of Search ..... D16/1-10;  
354/202, 288, 145.1, 149.11, 126-128, 139;  
362/7-8, 3, 10, 18

[56] References Cited

U.S. PATENT DOCUMENTS

- D. 195,286 5/1963 Olson ..... D16/6
- D. 223,409 4/1972 Fukuda ..... D16/6
- D. 267,954 2/1983 Sawara ..... D16/6
- D. 268,416 3/1983 Rubner ..... D16/6

- D. 271,880 12/1983 Agou ..... D16/1
- D. 271,881 12/1983 Kato ..... D16/6
- D. 273,498 4/1984 Arnott ..... D16/6
- D. 276,050 10/1984 Soda ..... D16/1
- 3,169,708 2/1965 D'incerti ..... D16/6 X
- 4,350,420 9/1982 Engelsmann ..... 354/145.1

Primary Examiner—Nelson C. Holtje  
Attorney, Agent, or Firm—James E. Nilles

[57] CLAIM

The ornamental design for 35mm camera, as shown.

DESCRIPTION

FIG. 1 is a top plan view of a 35mm camera showing my new design;  
 FIG. 2 is a front elevational view thereof;  
 FIG. 3 is a right side elevational view thereof;  
 FIG. 4 is a left side elevational view thereof;  
 FIG. 5 is a rear elevational view thereof;  
 FIG. 6 is a bottom plan view thereof;  
 FIG. 7 is a cross-sectional view thereof as taken from line 7—7 of FIG. 2;  
 FIG. 8 is a top and left front perspective view thereof with the flash hood in the raised position.

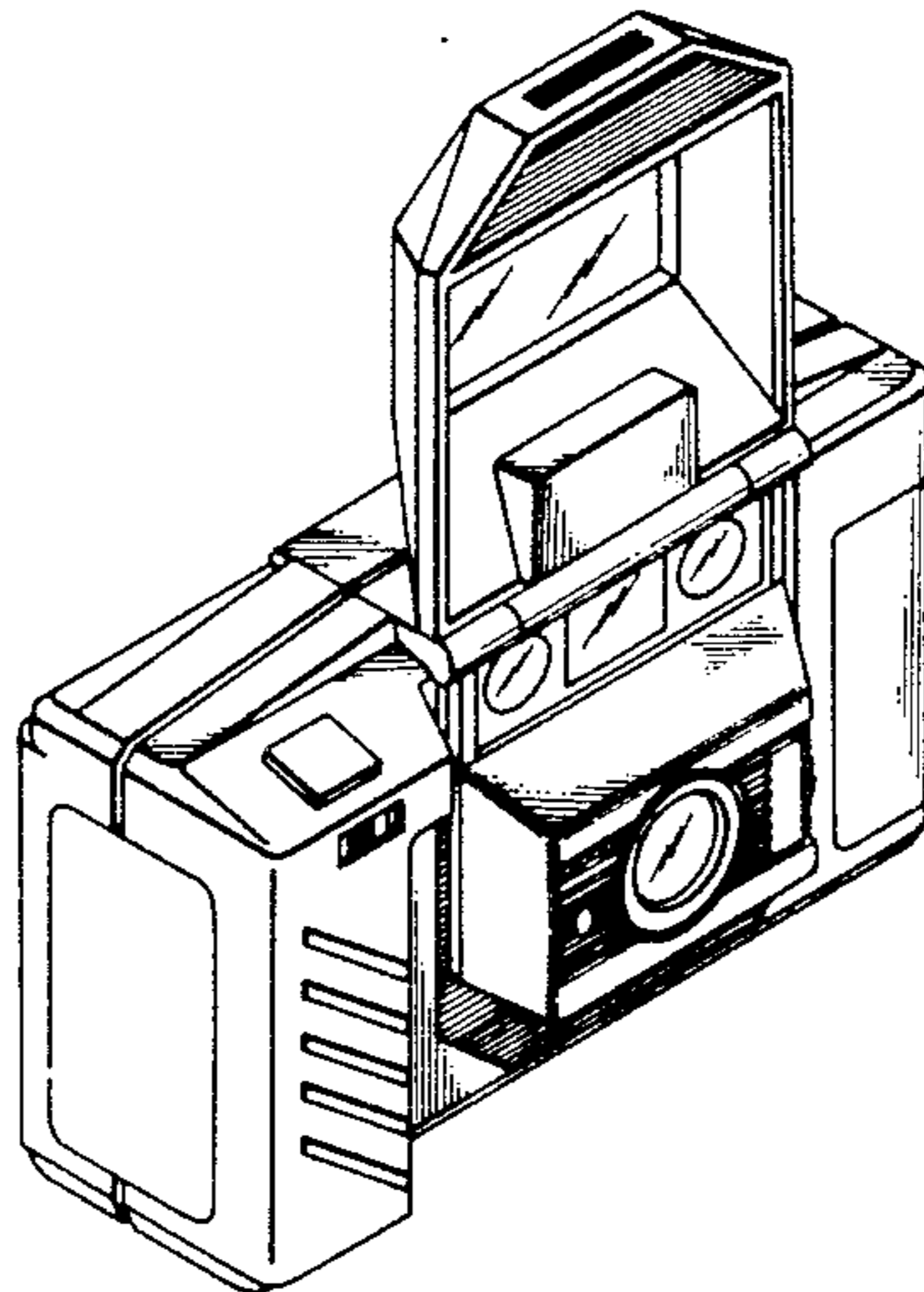


FIG. 1

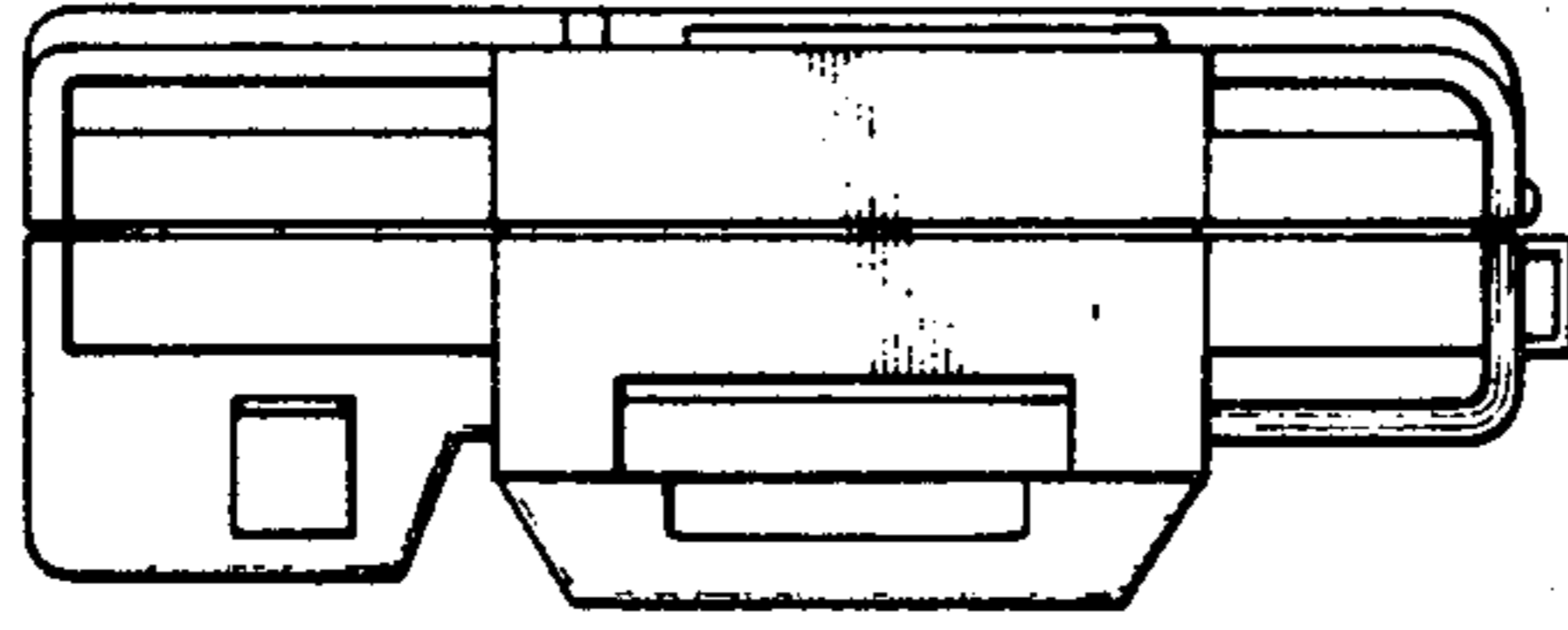


FIG. 4

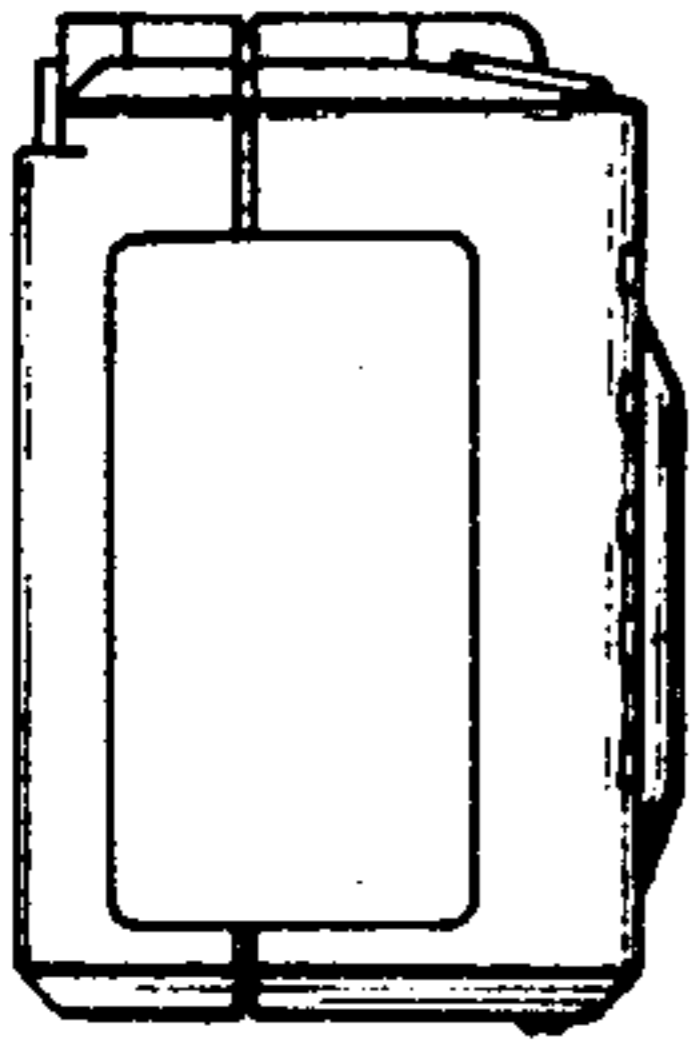


FIG. 2

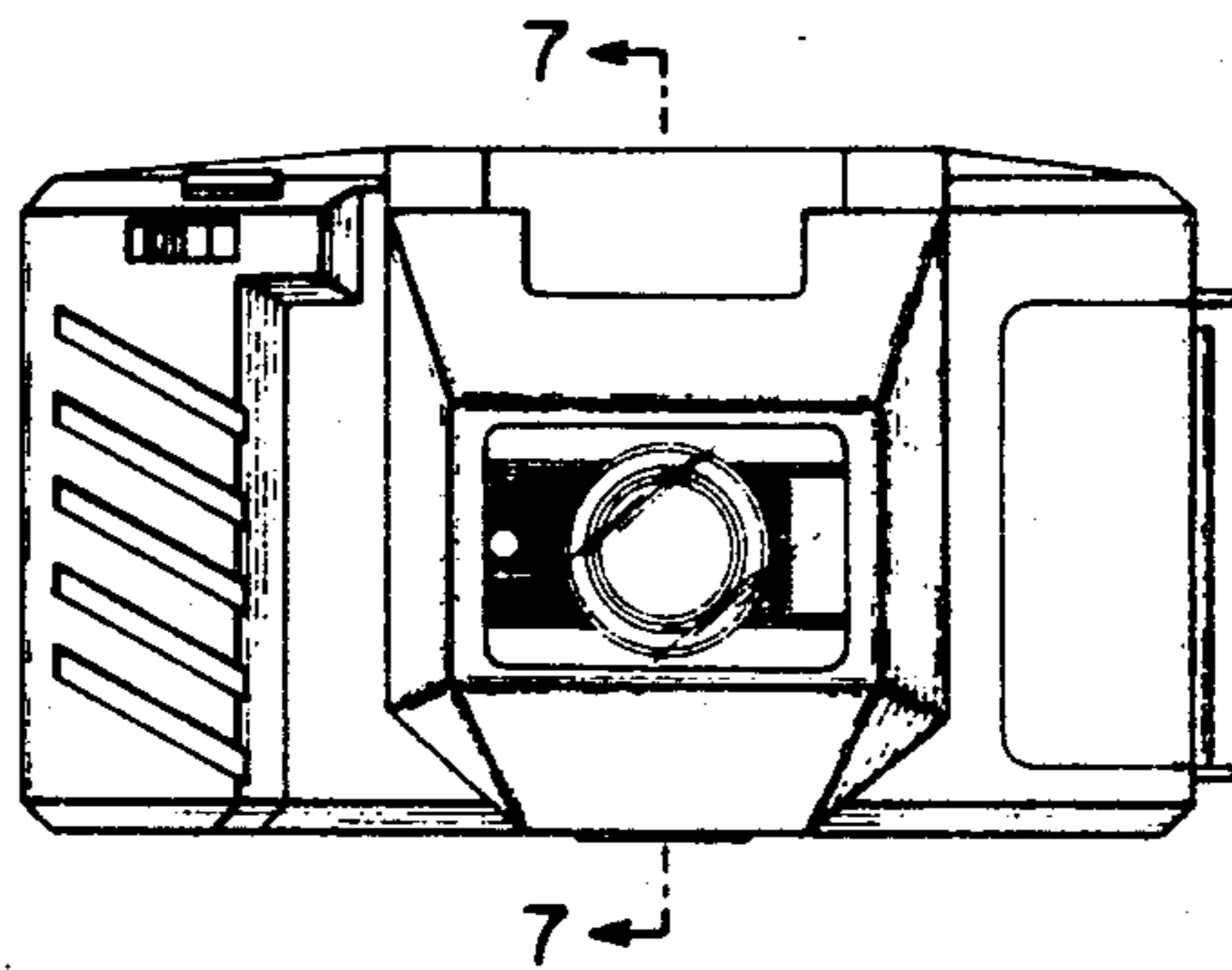


FIG. 3

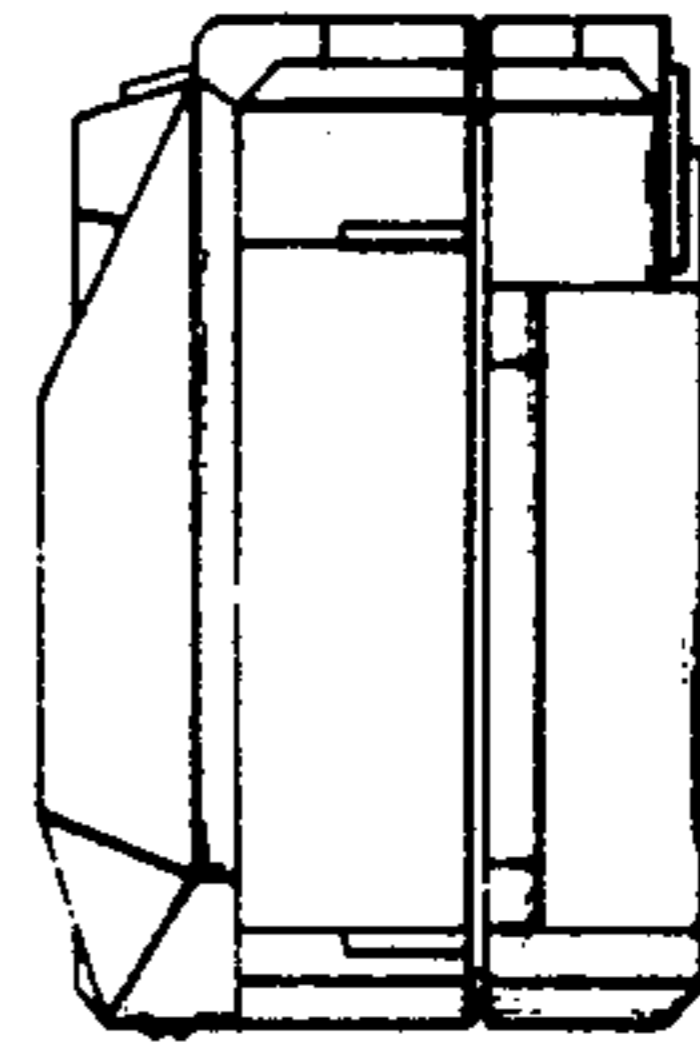


FIG. 5

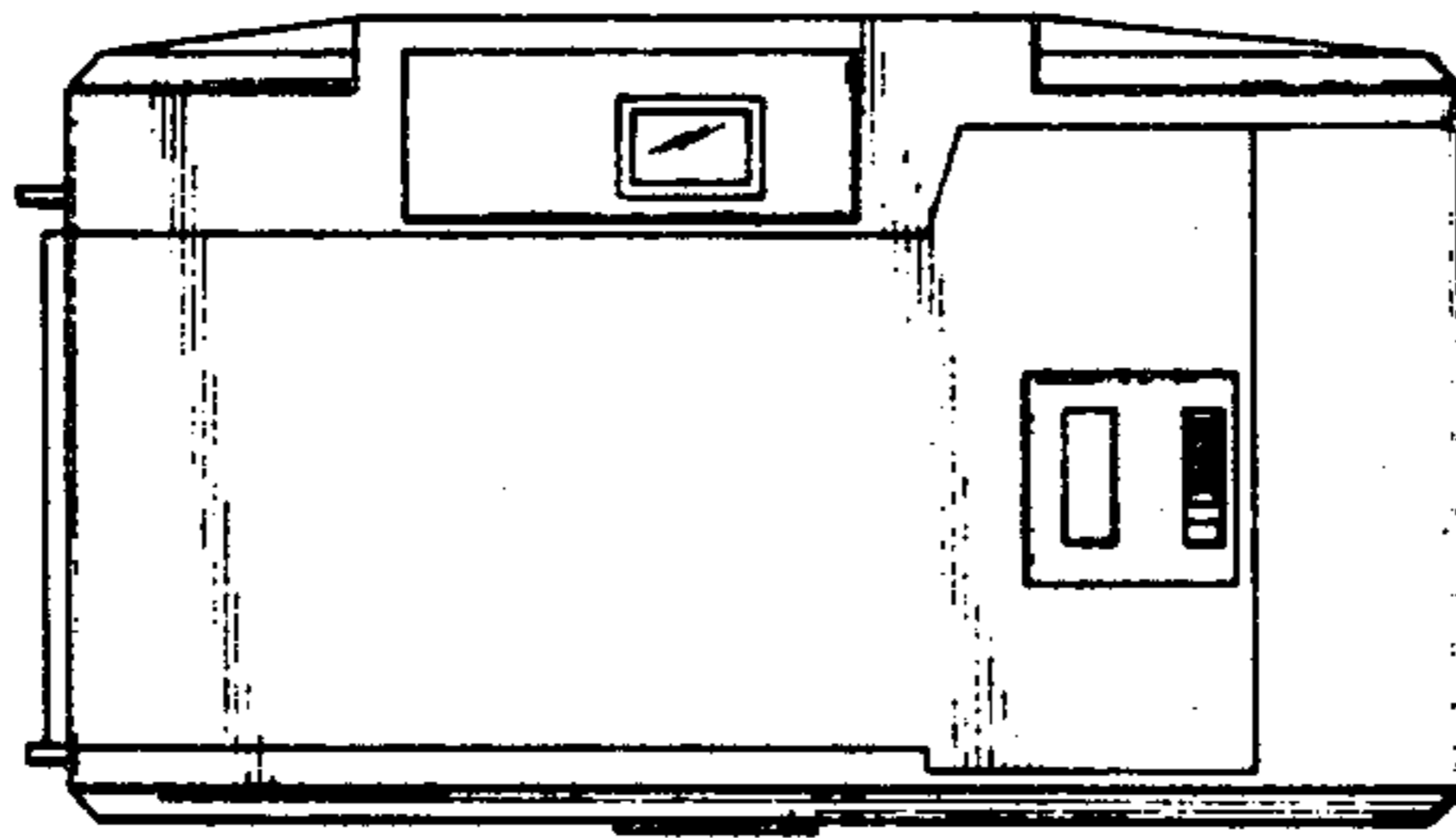


FIG. 6

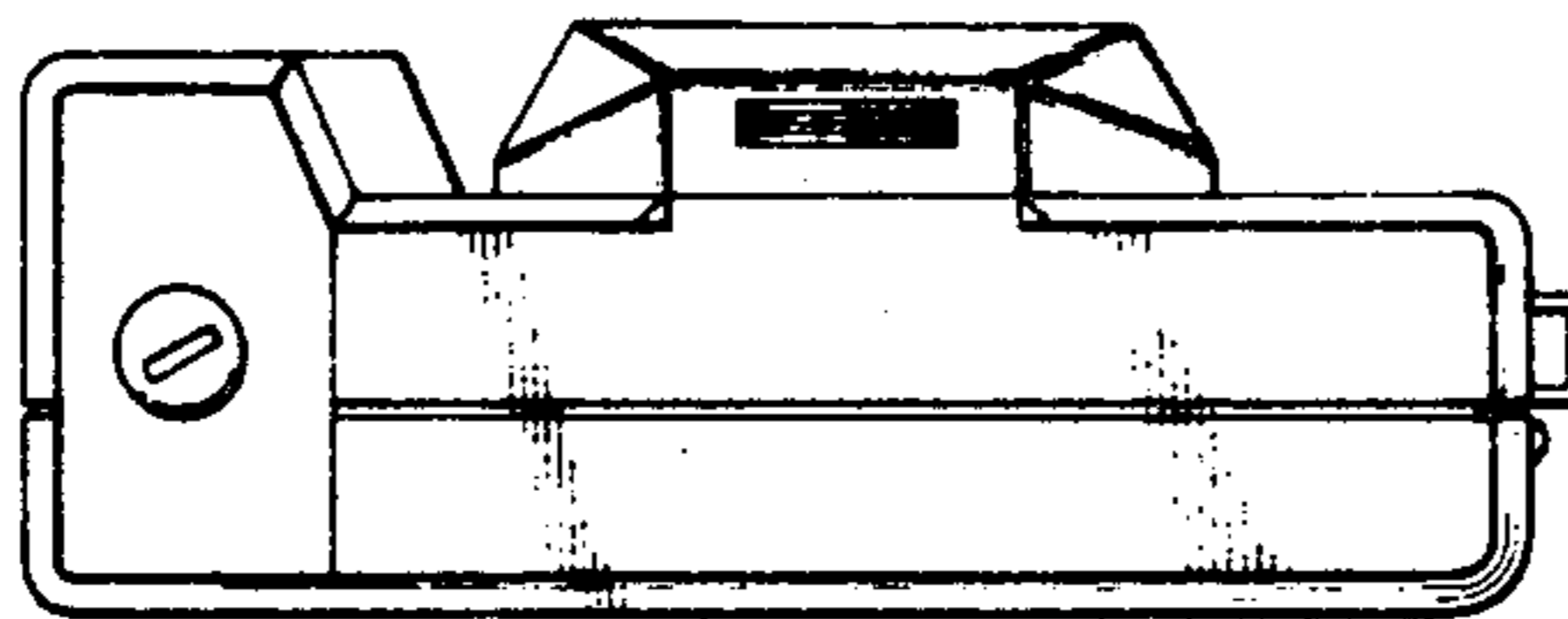


FIG. 7

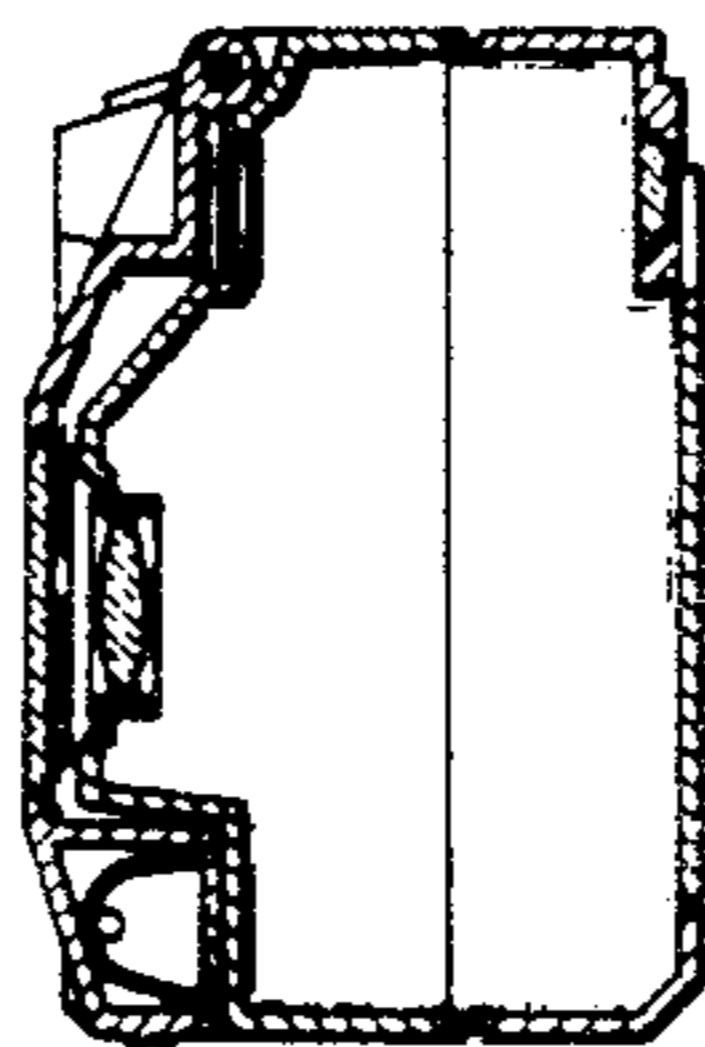


FIG. 8

