

# United States Patent [19]

Ryan

[11] Patent Number: **Des. 284,763**

[45] Date of Patent: **\*\* Jul. 22, 1986**

- [54] **BASE FOR A TELEPHONE HANDSET**
- [75] Inventor: **Desmond J. Ryan, Ottawa, Canada**
- [73] Assignee: **Northern Telecom Limited, Montreal, Canada**
- [\*\*] Term: **14 Years**
- [21] Appl. No.: **619,262**
- [22] Filed: **Jun. 11, 1984**
- [52] U.S. Cl. .... **D14/60; D14/56; D14/61**
- [58] Field of Search ..... **D14/52, 53, 55, 58, D14/59, 60, 62, 61, 56; 179/179, 100 R, 100 D, 100 C, 100 L, 103, 178**

- [56] **References Cited**
- U.S. PATENT DOCUMENTS**
- |            |        |                    |        |
|------------|--------|--------------------|--------|
| D. 135,891 | 6/1943 | Norton et al. .... | D14/60 |
| D. 191,165 | 8/1961 | Dellagrandi .....  | D14/65 |
| D. 245,113 | 7/1977 | Genaro et al. .... | D14/60 |
| D. 265,401 | 7/1982 | Genaro et al. .... | D14/60 |

- |            |         |                    |          |
|------------|---------|--------------------|----------|
| D. 272,065 | 1/1984  | Janda .....        | D14/60   |
| D. 276,339 | 11/1984 | Read .....         | D14/60   |
| D. 278,708 | 5/1985  | Taylor et al. .... | D14/60   |
| D. 279,289 | 6/1985  | Bhat et al. ....   | D14/60   |
| D. 280,618 | 9/1985  | Brown et al. ....  | D14/61   |
| 4,511,761  | 4/1985  | Yamazaki .....     | 179/28 A |

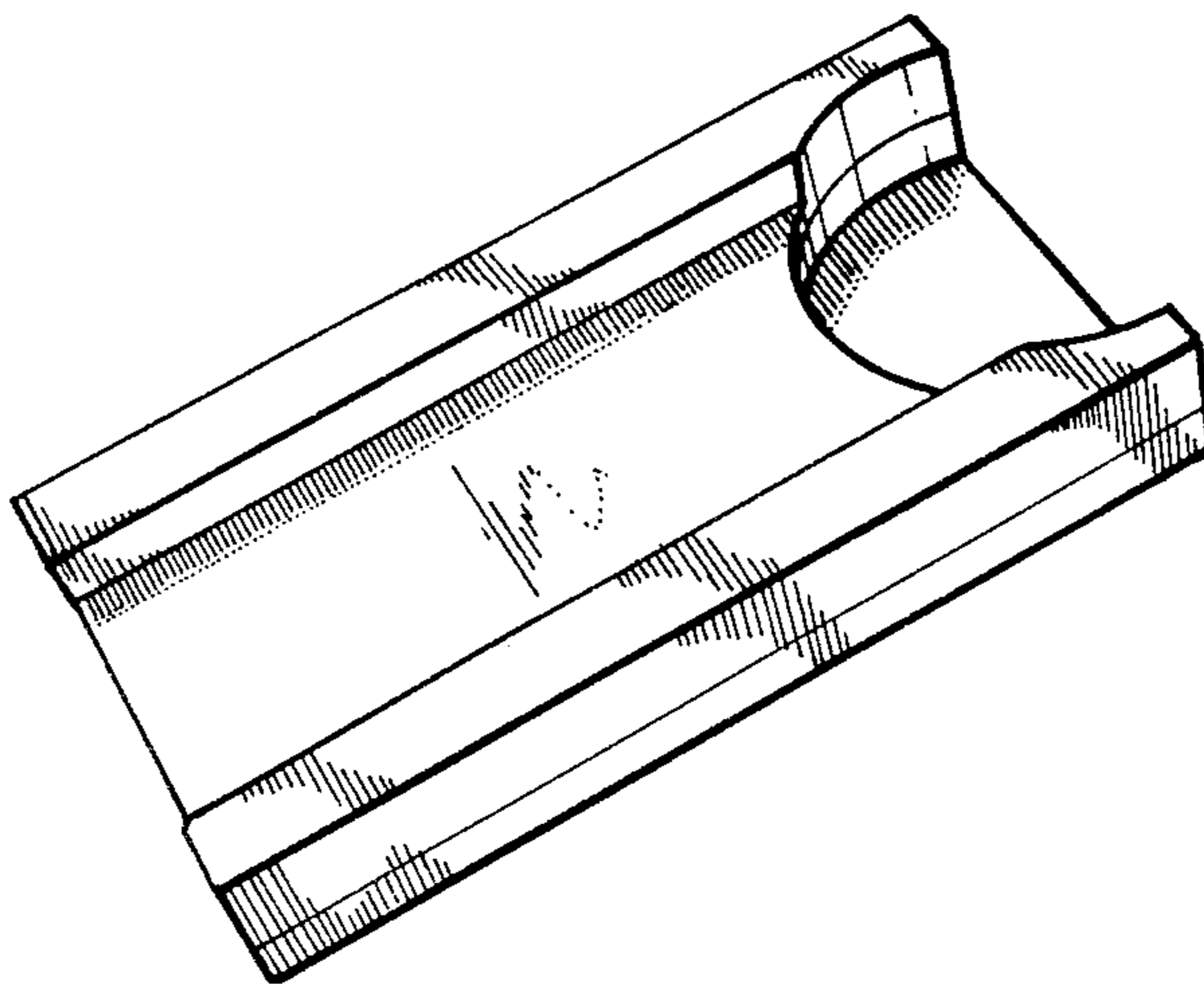
*Primary Examiner*—James R. Largen  
*Assistant Examiner*—Horace B. Fay  
*Attorney, Agent, or Firm*—Sidney T. Jelly

[57] **CLAIM**

The ornamental design for a base for a telephone handset, as shown and described.

**DESCRIPTION**

FIG. 1 is a top and right side perspective view of a base for a telephone handset showing my new design;  
FIG. 2 is a top plan view thereof;  
FIG. 3 is a bottom plan view;  
FIG. 4 is a right side elevational view, the side opposite being a mirror image thereof;  
FIG. 5 is a rear end elevational view thereof; and  
FIG. 6 is a front end elevational view thereof.



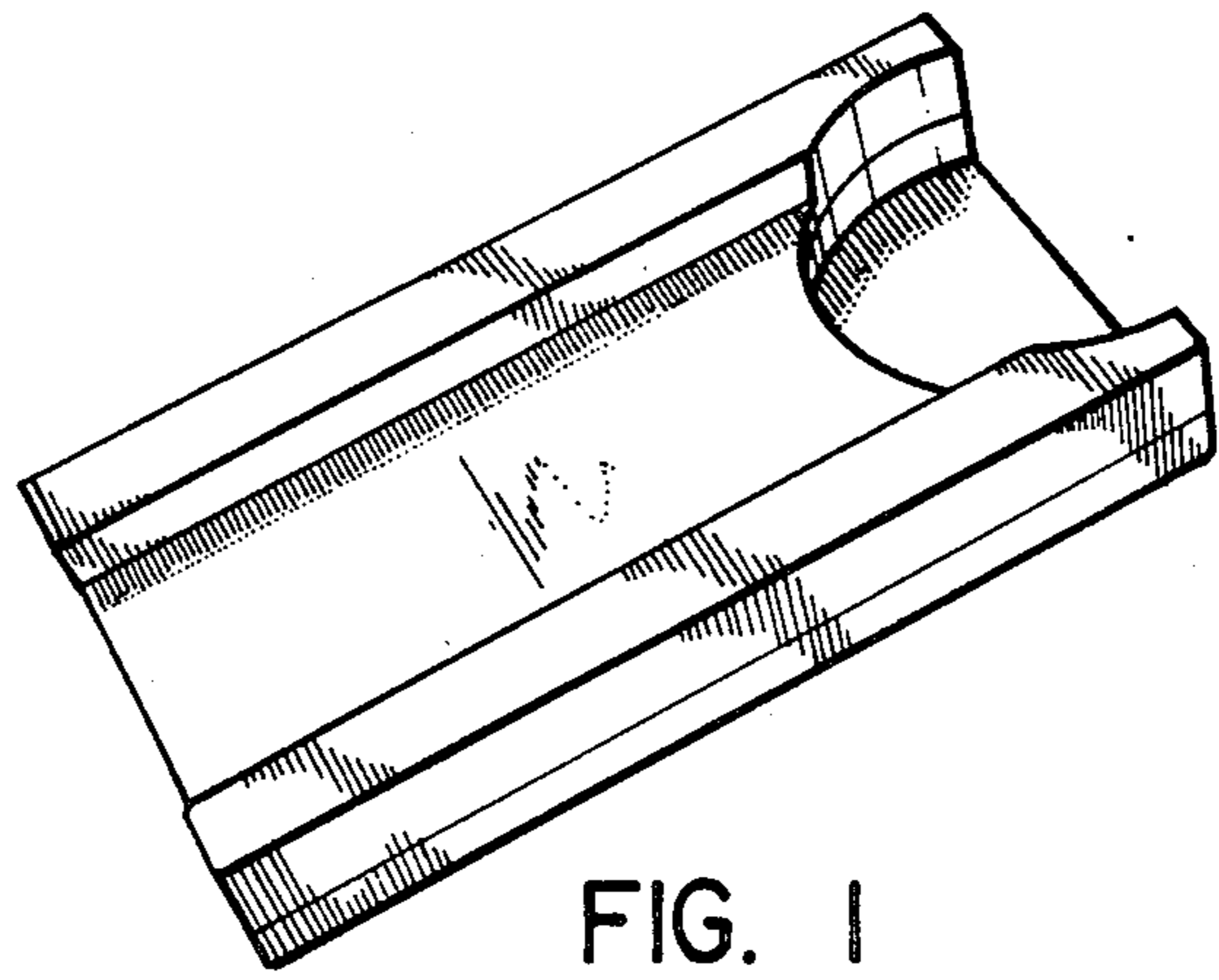


FIG. 1



FIG. 2

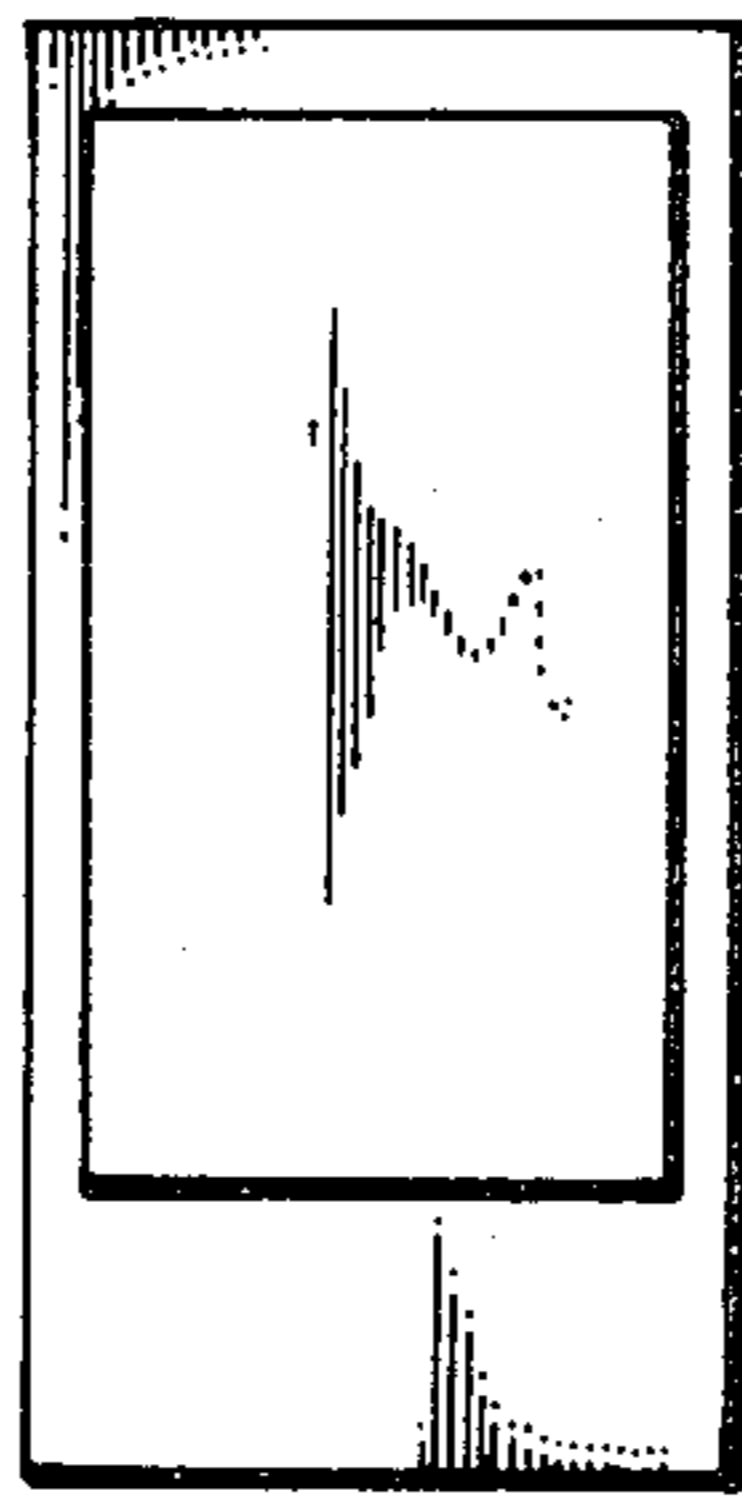


FIG. 3



FIG. 4



FIG. 5

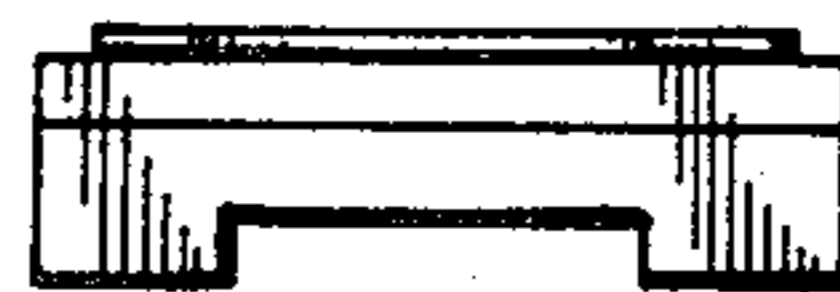


FIG. 6