

[54] **COMBINATION HANDSET AND BASE TELEPHONE SET**

[75] **Inventor: Geoffrey Keating, London, England**

[73] **Assignee: International Standard Electric Corporation, New York, N.Y.**

[**] **Term: 14 Years**

[21] **Appl. No.: 568,560**

[22] **Filed: Jan. 5, 1984**

[30] **Foreign Application Priority Data**

Jul. 15, 1983 [GB] United Kingdom 1014114
 Nov. 23, 1983 [GB] United Kingdom 1016450
 [52] **U.S. Cl. D14/53; D14/64; D14/60**
 [58] **Field of Search D14/52, 53, 56, 63, D14/64, 58; 179/179, 100 R, 100 D, 100 C, 100 L, 101, 103**

[56] **References Cited**

U.S. PATENT DOCUMENTS

D. 196,921 11/1963 Mahke D14/64
 D. 237,893 12/1975 Wennerström D14/52
 D. 255,680 7/1980 Read D14/60
 D. 257,841 1/1981 Tada D14/53
 D. 262,207 12/1981 Kaczkos D14/64
 D. 264,465 5/1982 Mackenzie D14/64
 D. 272,441 1/1984 Carr D14/60
 D. 274,245 6/1984 Coons et al. D14/64
 D. 280,098 8/1985 McGarvey et al. D14/60

D. 280,619 9/1985 Brown et al. D14/63
 3,521,008 7/1970 Tyson D14/60

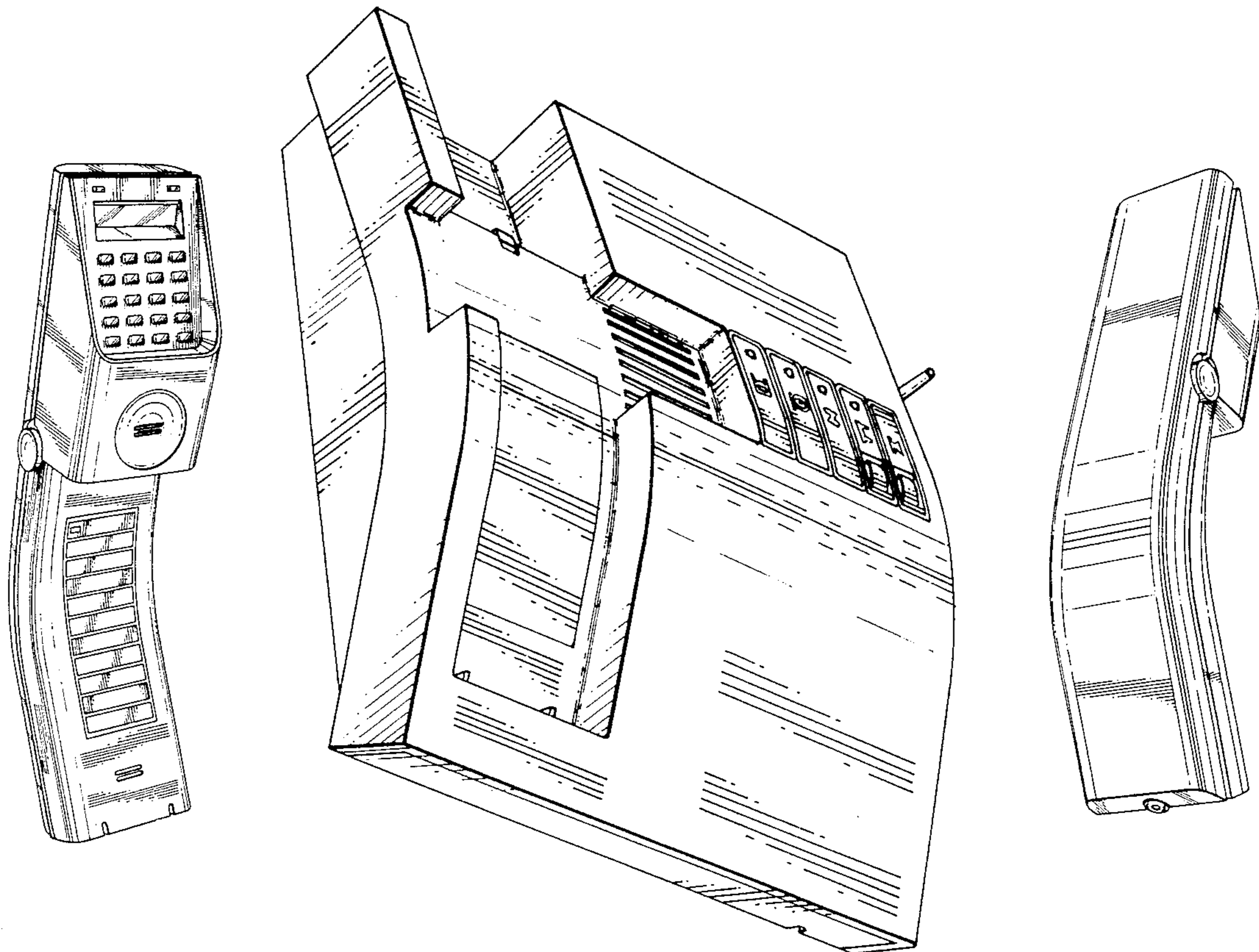
Primary Examiner—B. J. Bullock
Assistant Examiner—Horace B. Fay
Attorney, Agent, or Firm—John T. O'Halloran; Mary C. Werner

[57] **CLAIM**

The ornamental design for a combination handset and base telephone set, as shown and described.

DESCRIPTION

FIGS. 1 and 2 are respectively front and rear perspective views of a combination handset and base telephone set showing my new design;
 FIGS. 3 and 4 are respectively front and rear elevational views of the handset thereof;
 FIG. 5 is a right side elevational view of the handset;
 FIGS. 6 and 7 are respectively top and bottom plan views of the handset;
 FIGS. 8 and 9 are respectively left and right side perspective views from above of the base;
 FIGS. 10 and 15 are respectively top and bottom plan views of the base;
 FIGS. 11 and 12 are respectively front and rear end elevational views of the base; and
 FIGS. 13 and 14 are respectively left and right side elevational views of the base.
 The showing of the handset and base components of the telephone set independently and apart from one another is for clarity of representation and convenience of illustration.



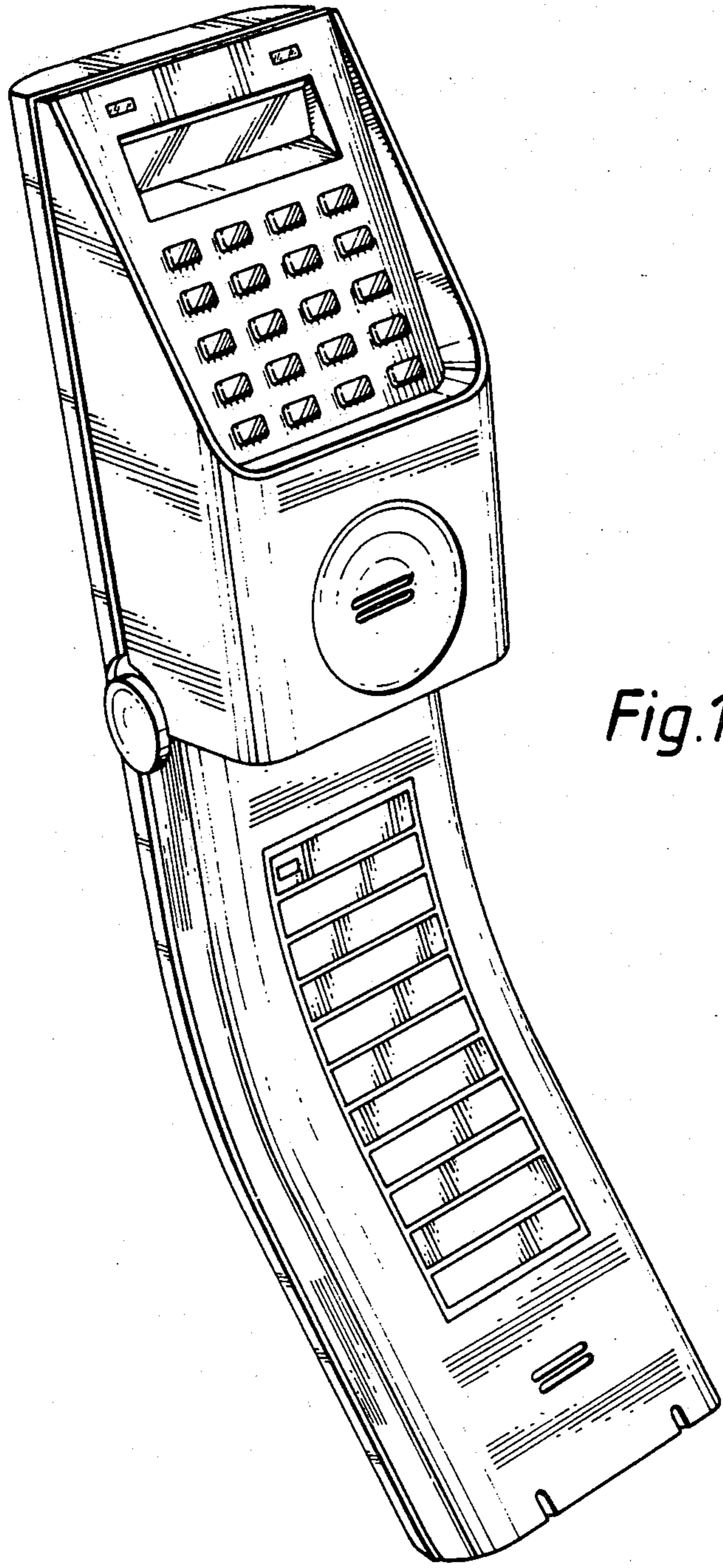


Fig. 1.

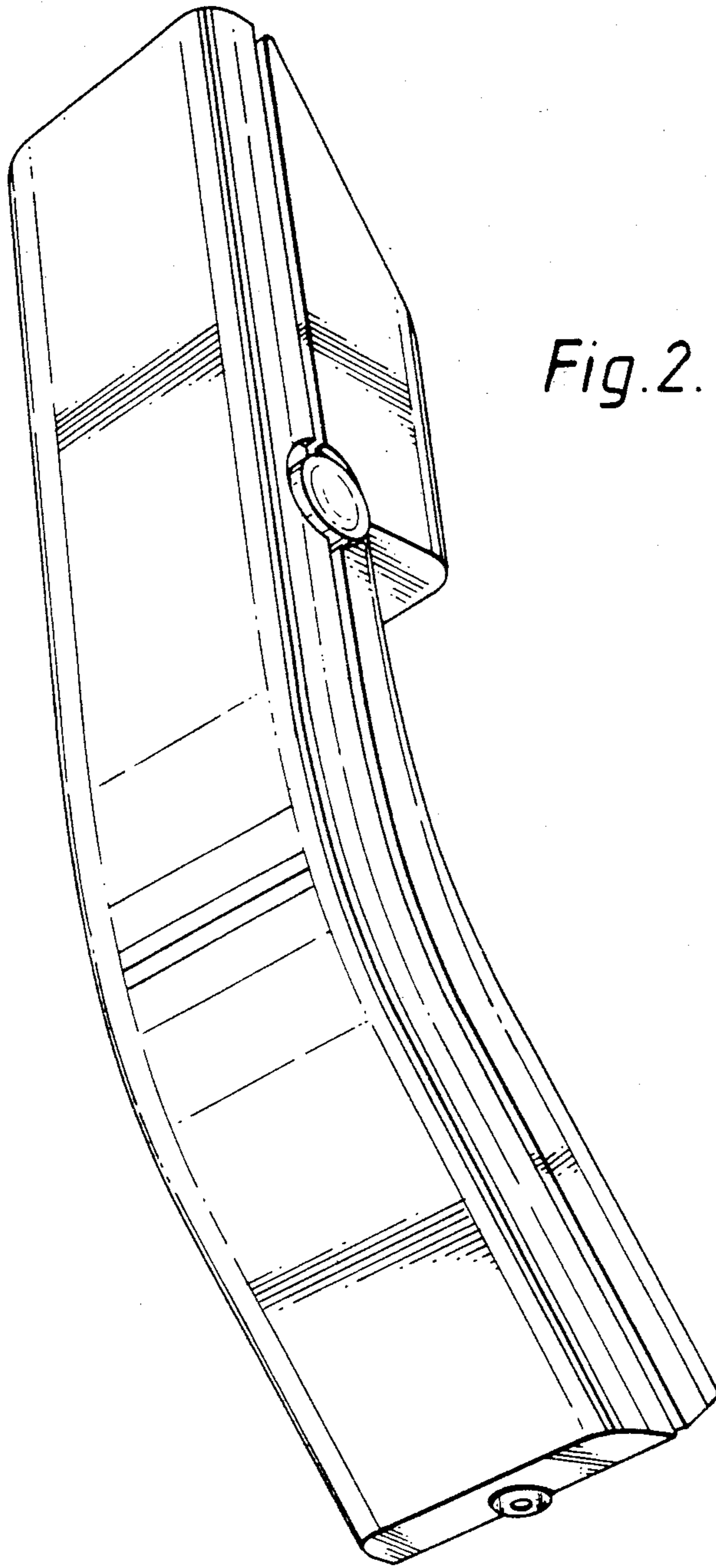


Fig. 2.

Fig. 3.

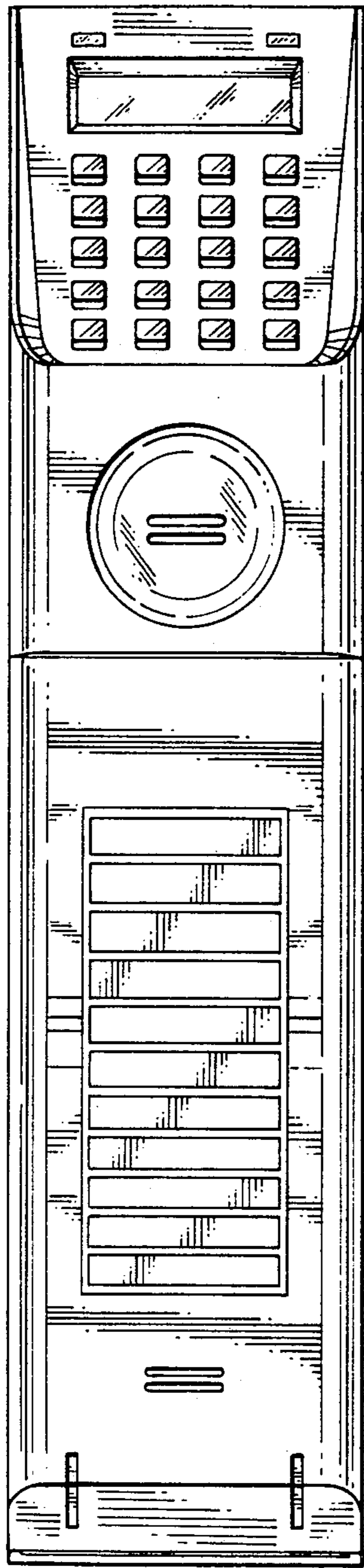
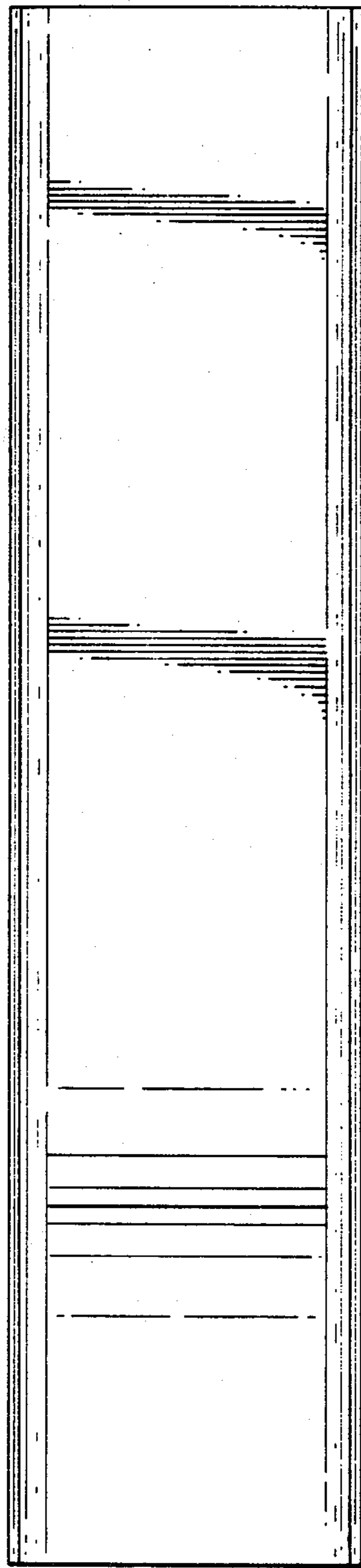


Fig. 4.



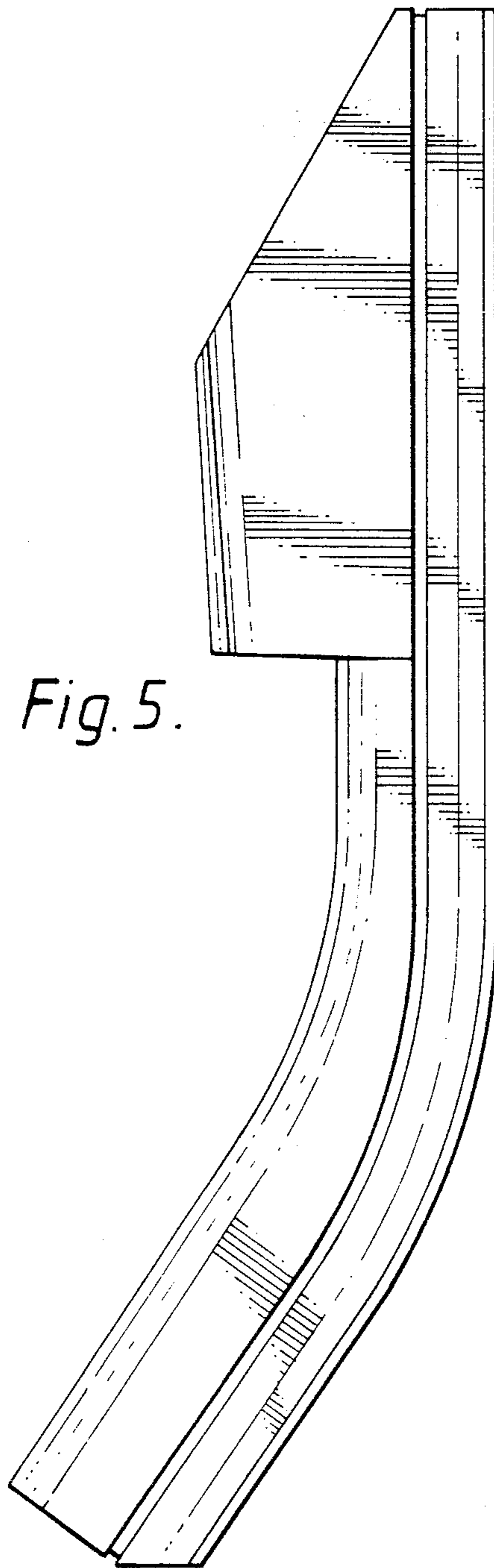


Fig. 6.

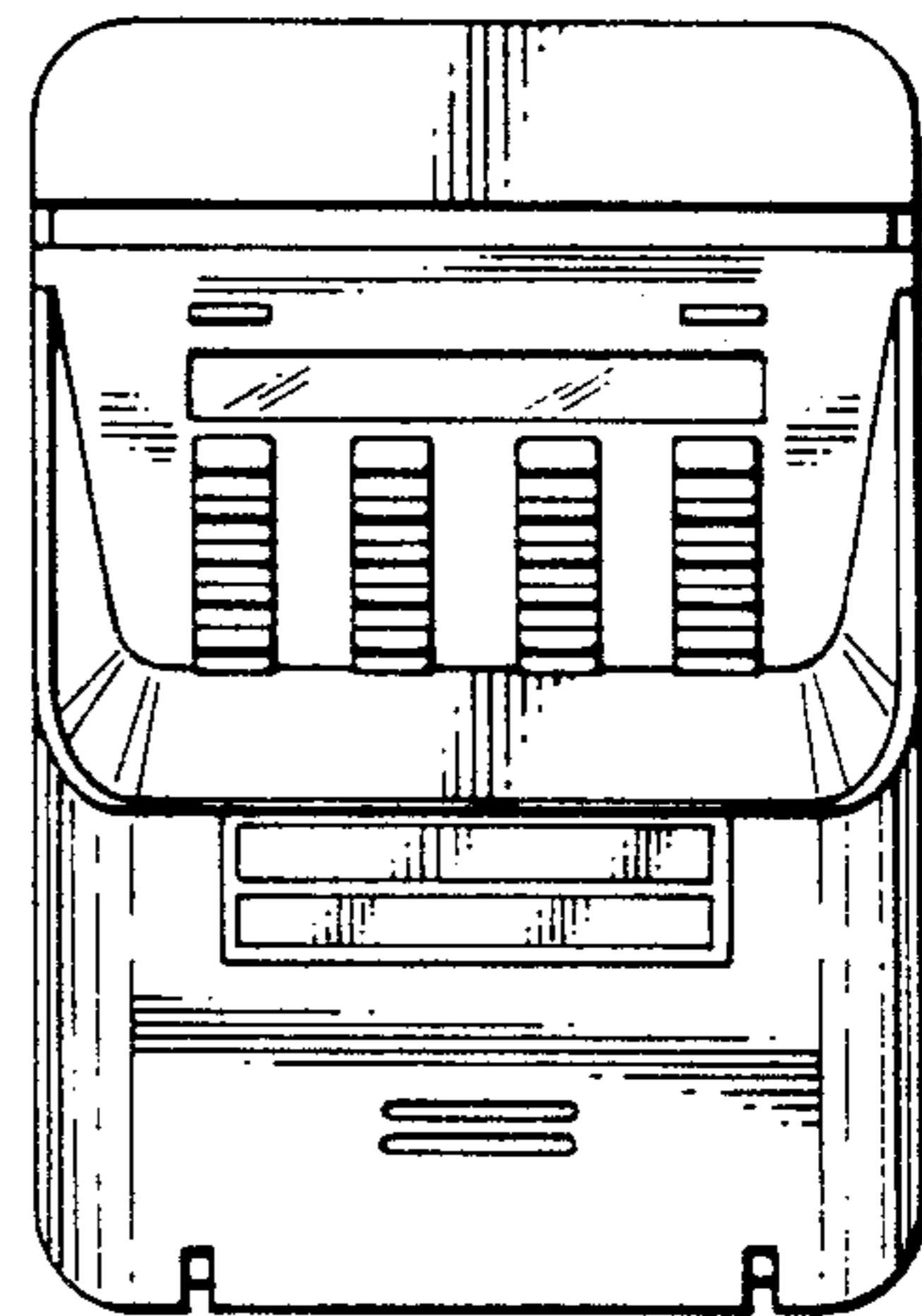


Fig. 7.

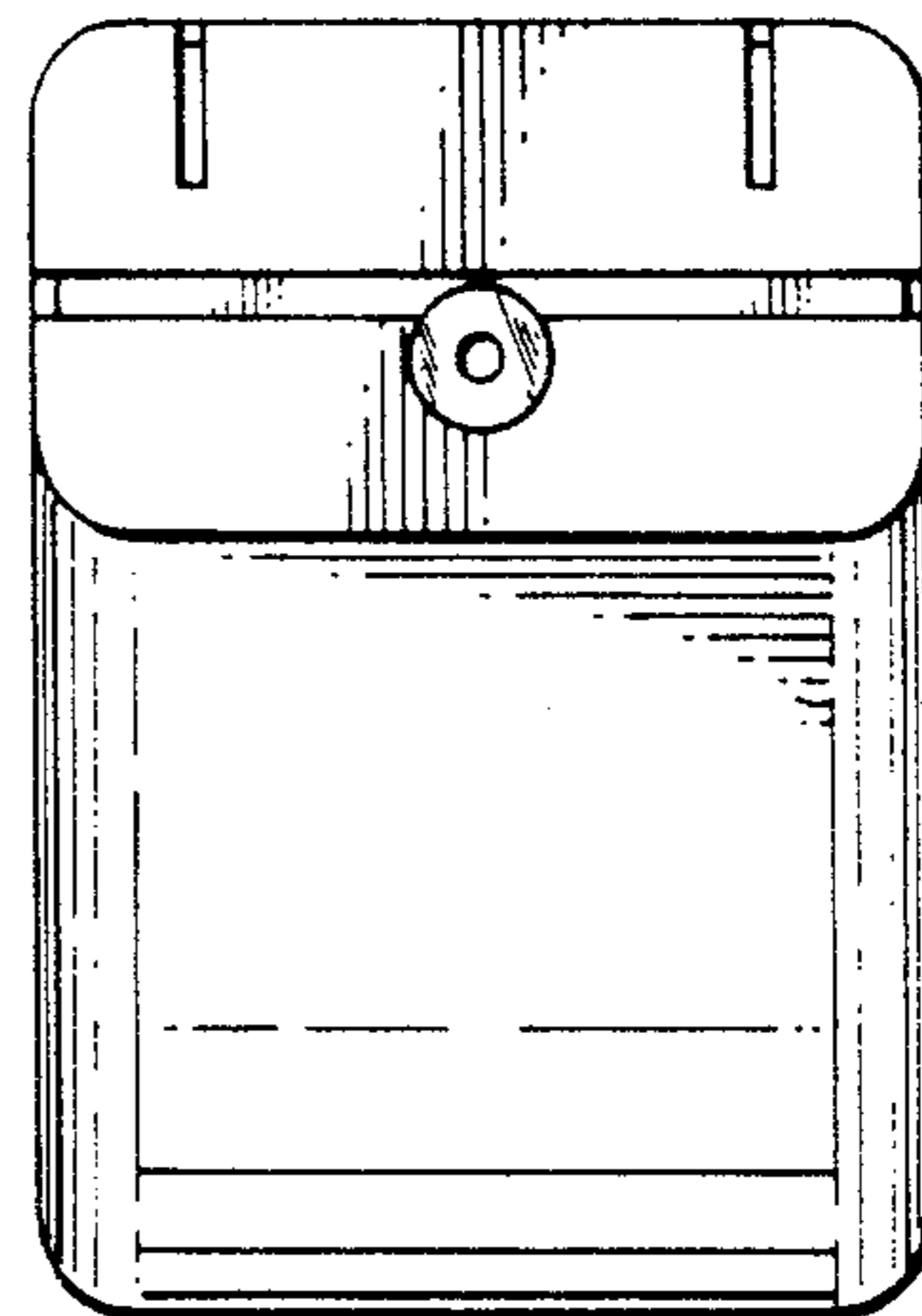


Fig. 8.

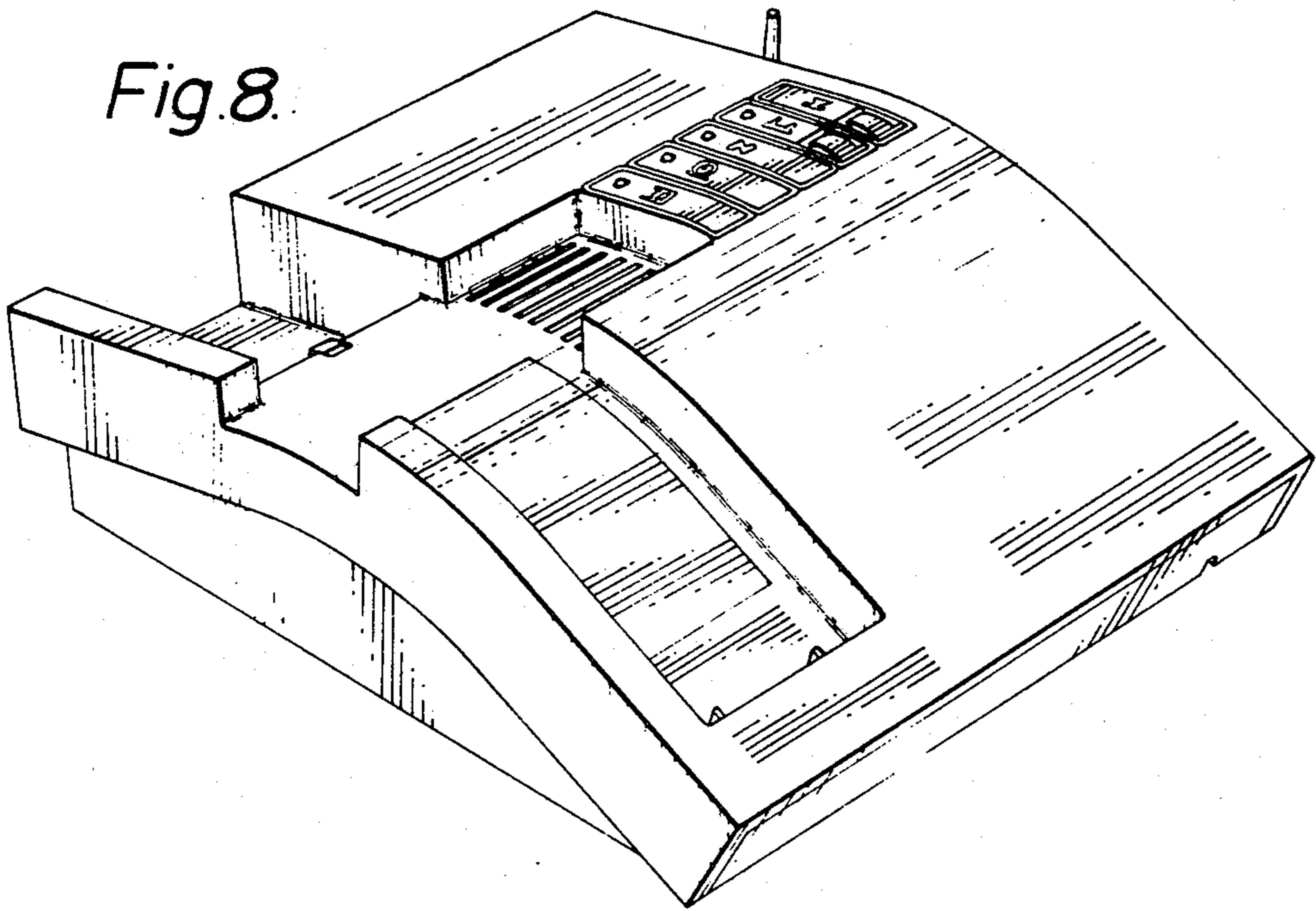


Fig. 9.

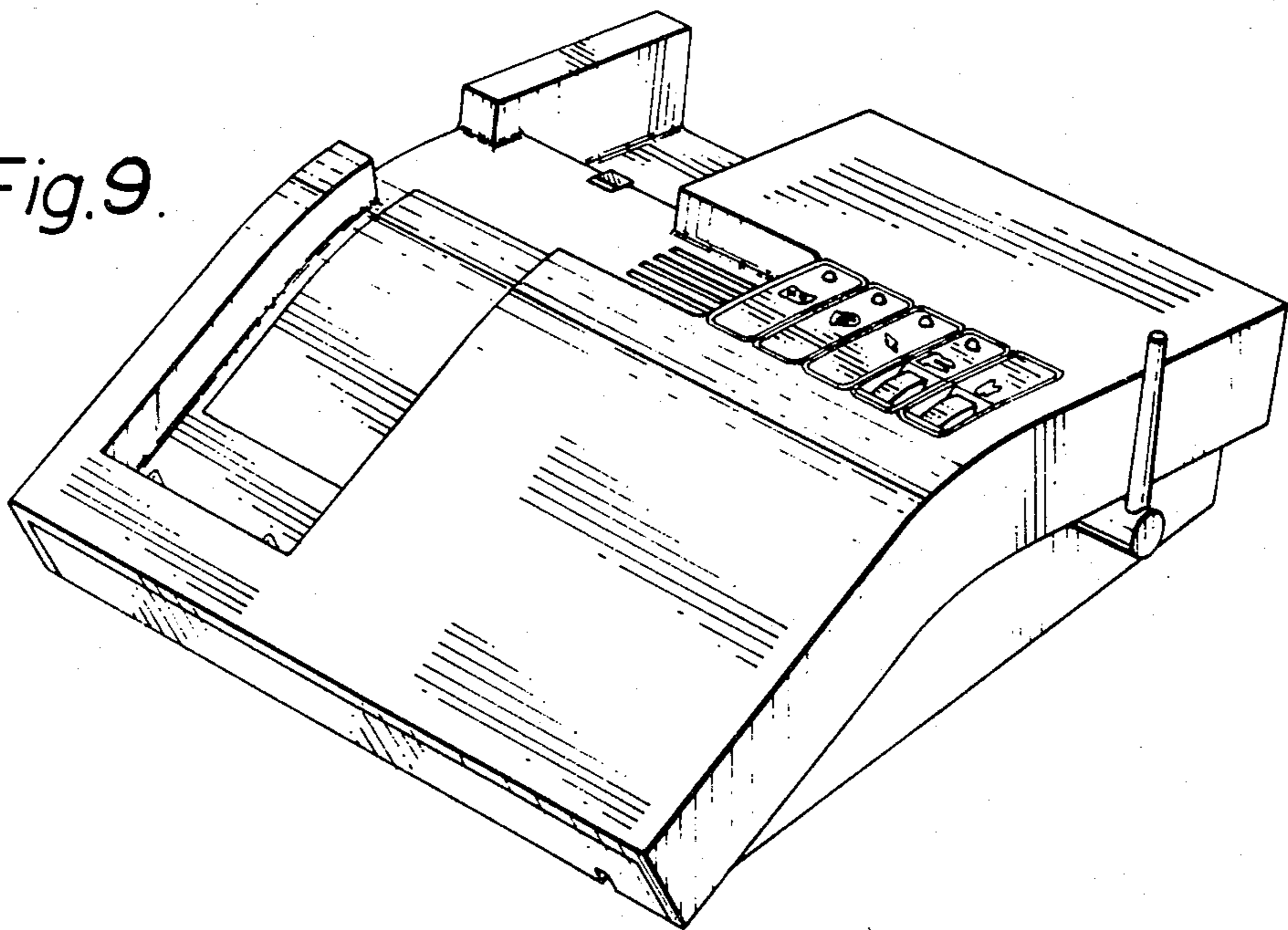


Fig.10.

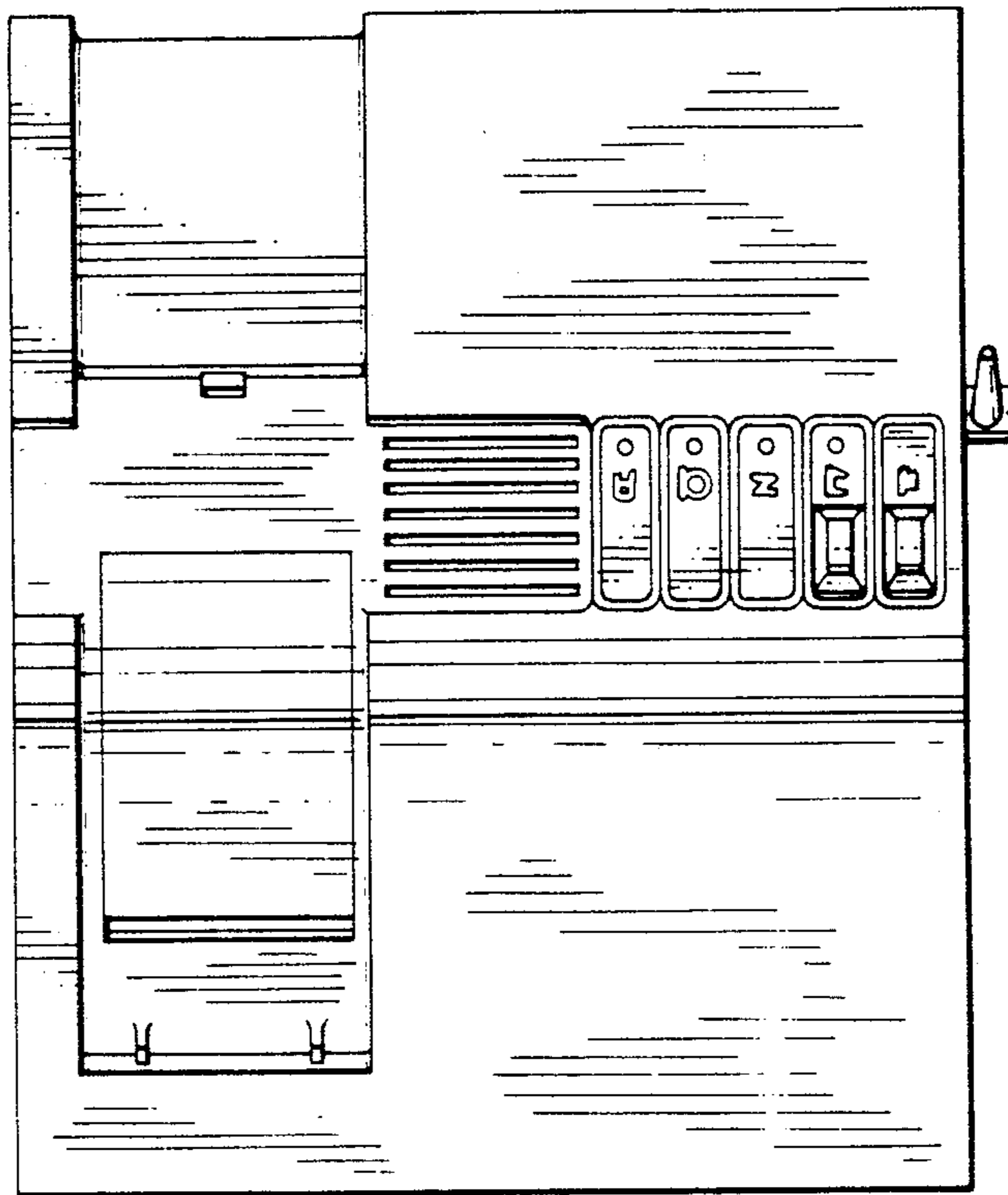


Fig.11.

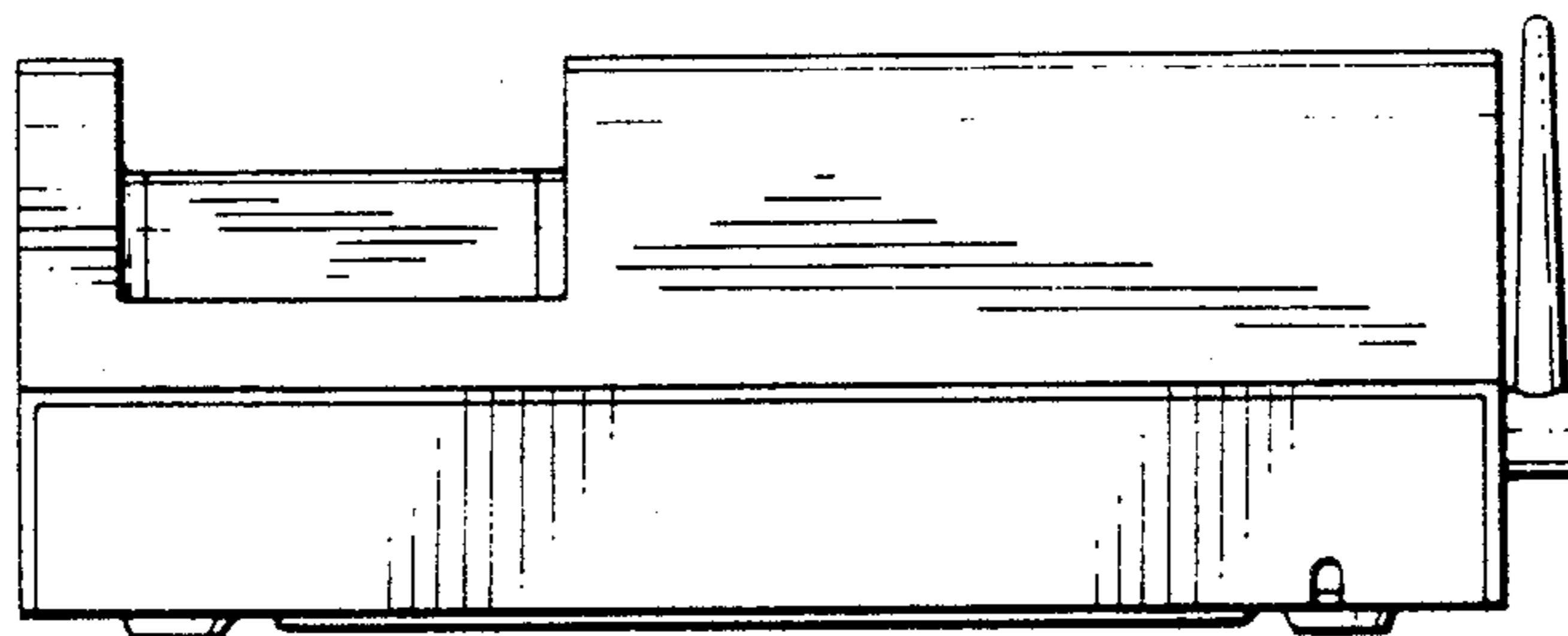
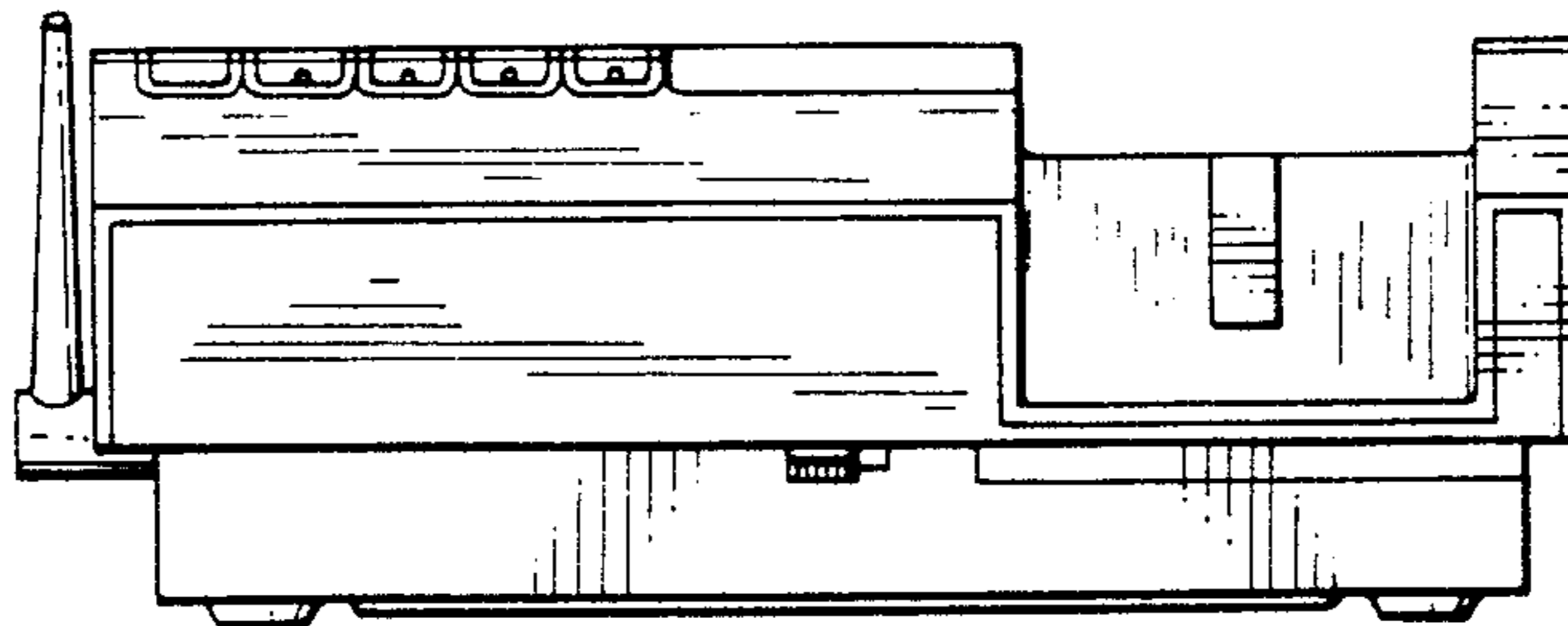


Fig.12.



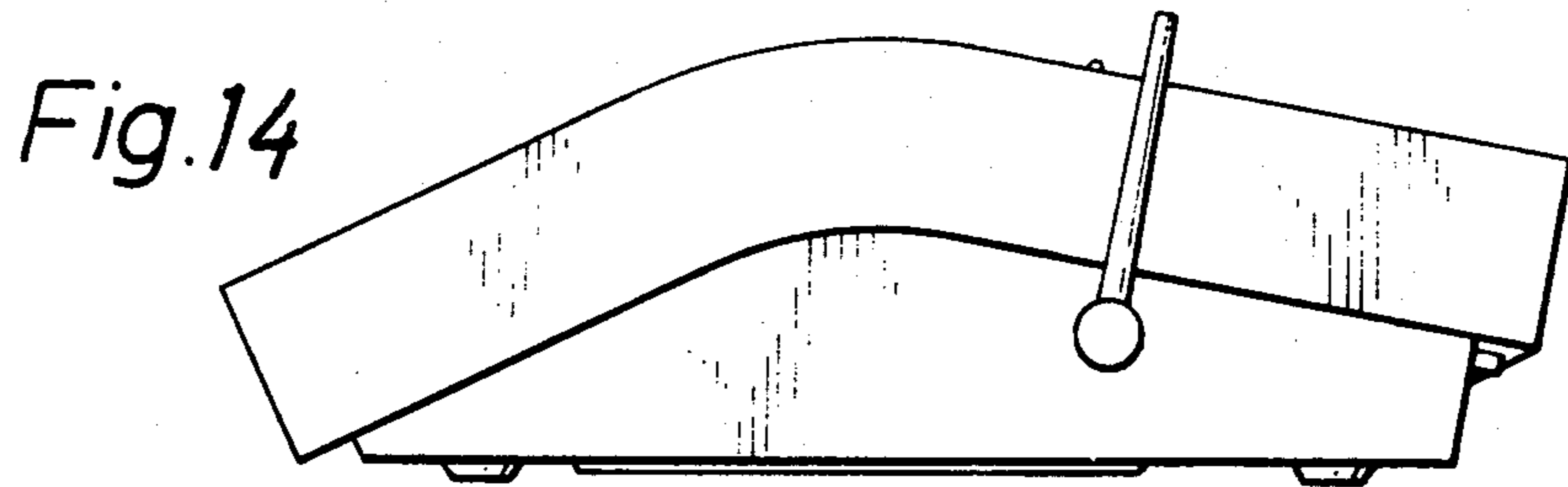
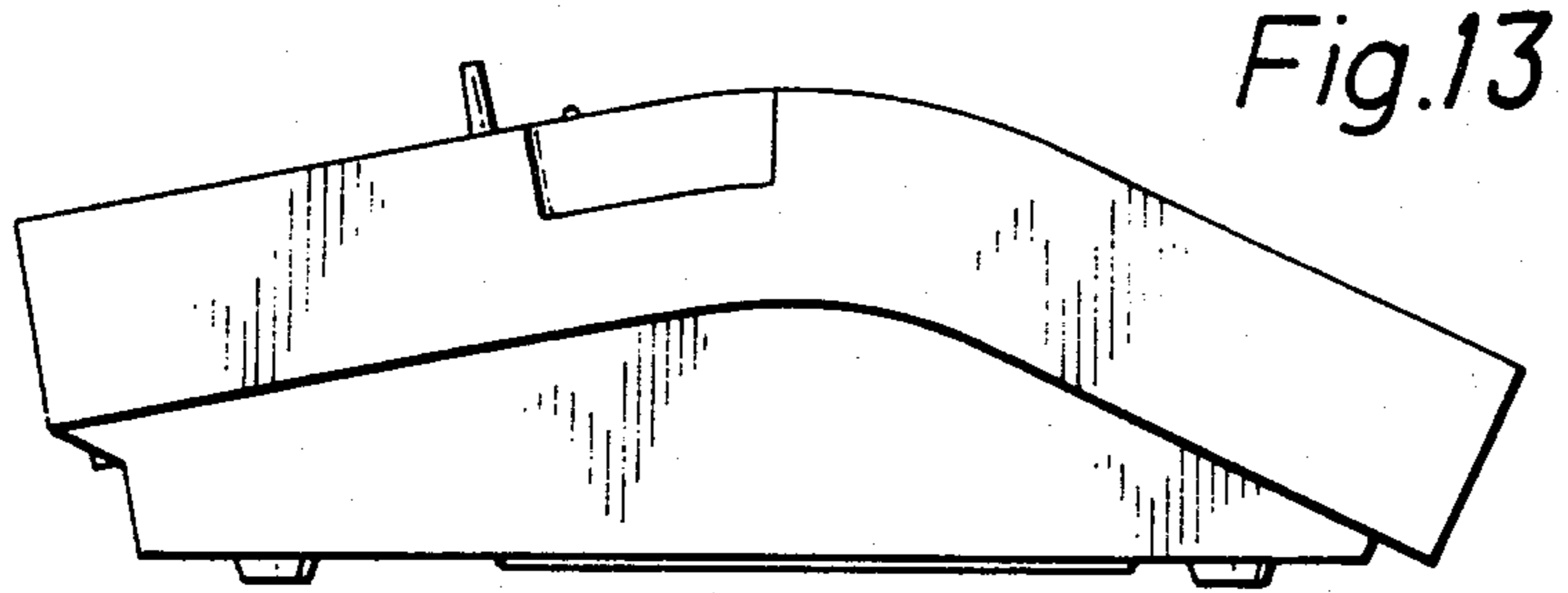


Fig.15.

