

[54] CABLE CONNECTOR

[75] Inventors: Anthony G. Gorman, Ruislip; John R. Peacock, Stone, Nr. Aylesbury, both of England

[73] Assignee: Racal Acoustics Limited, Middlesex, England

[\*\*] Term: 14 Years

[21] Appl. No.: 479,084

[22] Filed: Mar. 25, 1983

[30] Foreign Application Priority Data

Nov. 16, 1982 [GB] United Kingdom ..... 1009738

[52] U.S. Cl. .... D13/24; D13/26

[58] Field of Search ..... D8/24, 26, 27, 28, 29, D8/30, 40, 99; 339/36, 44, 122 R, 122 F, 99 R, 39, 125 R

[56] References Cited

U.S. PATENT DOCUMENTS

D. 260,878	9/1981	Dolinar et al. ....	D13/40 X
2,255,927	9/1941	Hüber et al. ....	339/44 R
3,866,996	2/1975	Elkins .....	339/99 R
4,226,495	10/1980	Palle et al. ....	339/122 R
4,382,649	5/1983	Meyer .....	339/39

Primary Examiner—Susan J. Lucas  
Assistant Examiner—Clare E. Heflin  
Attorney, Agent, or Firm—Watson, Cole, Grindle & Watson

[57] CLAIM

The ornamental design for a cable connector, as shown.

DESCRIPTION

FIG. 1 is a perspective view taken from above, one side and one end of the cable connector showing our new design;

FIG. 2 is an opposite side elevational view thereof;

FIG. 3 is an opposite end elevational view thereof; and

FIG. 4 is a bottom plan view thereof.

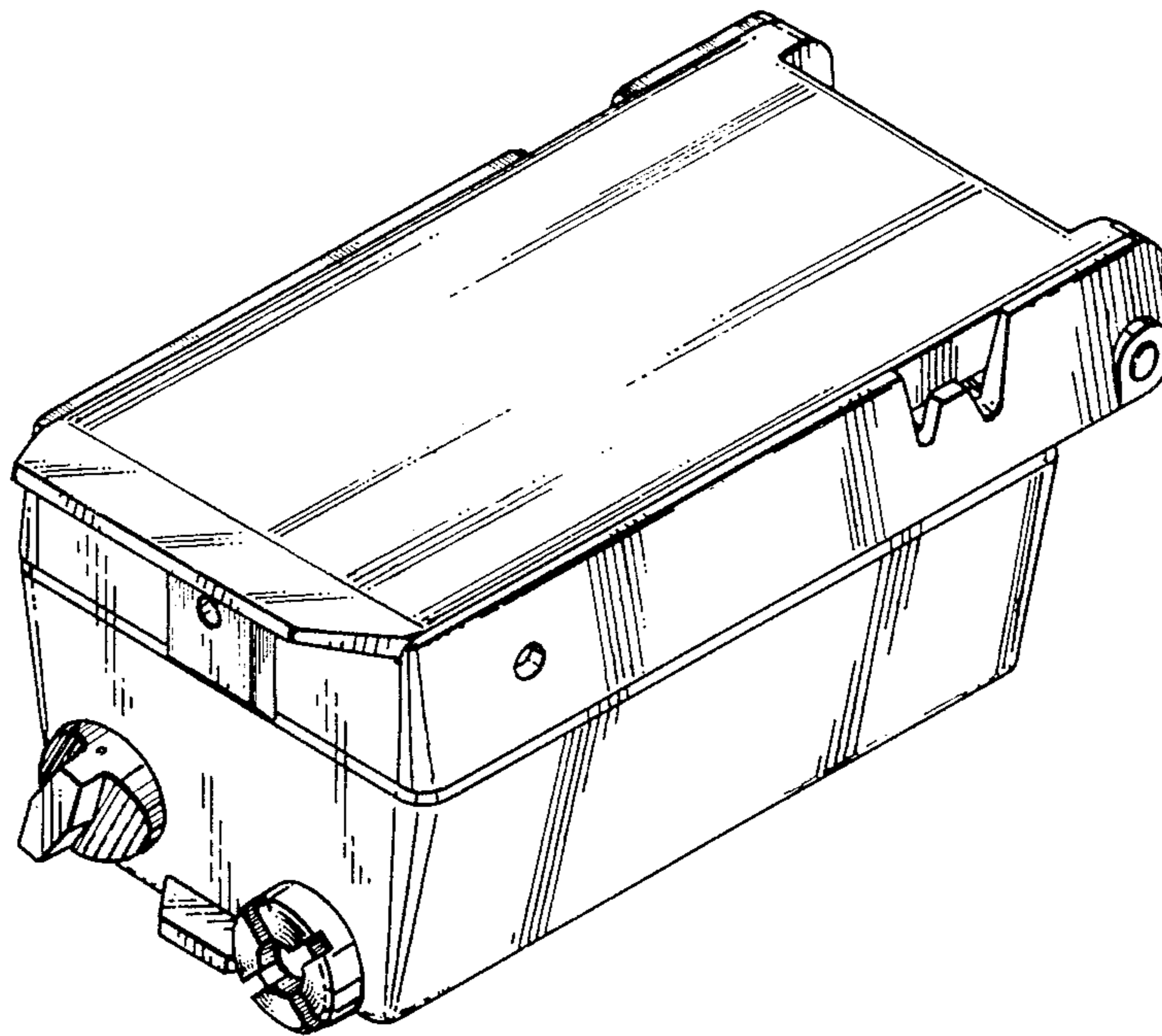


FIG. 1

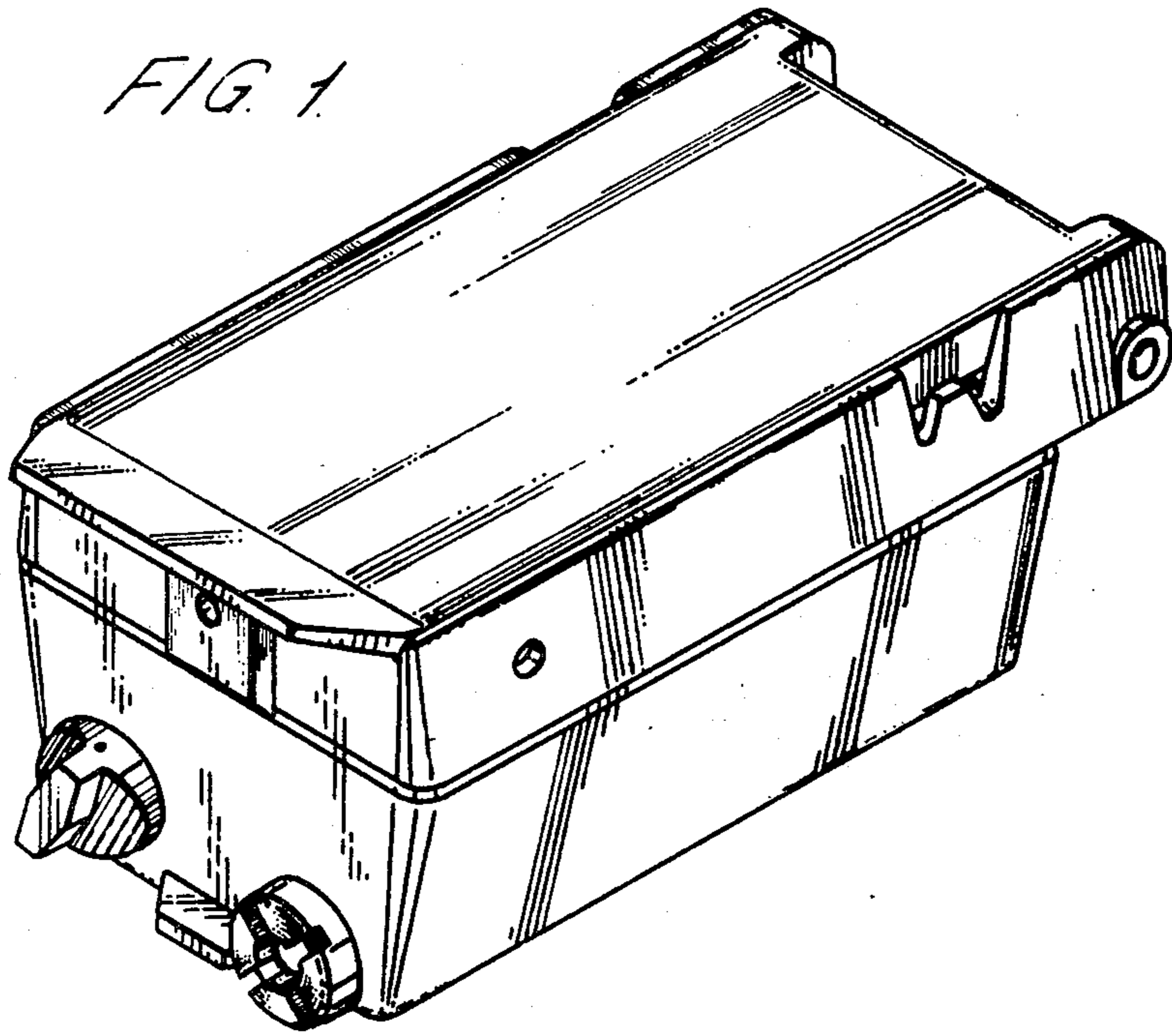


FIG. 2

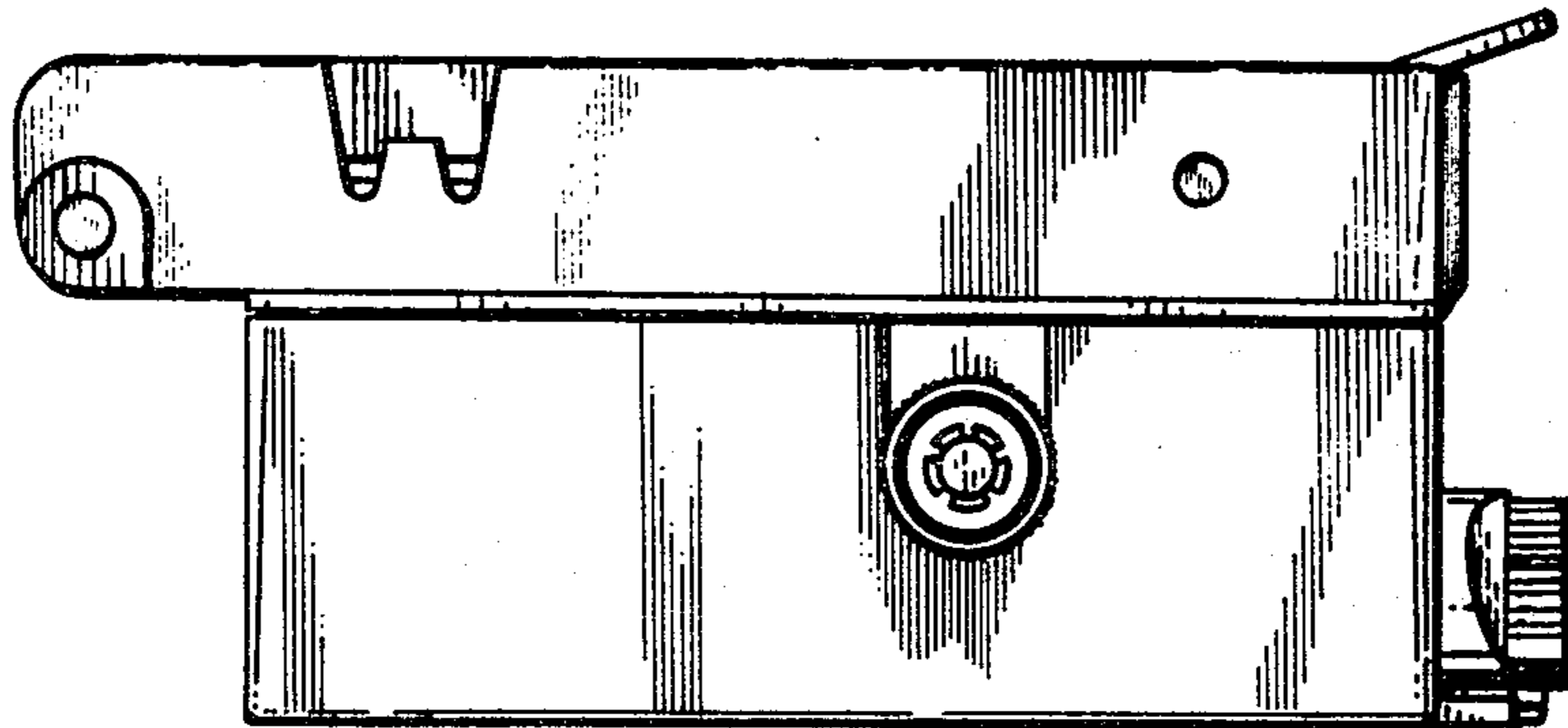


FIG. 3.

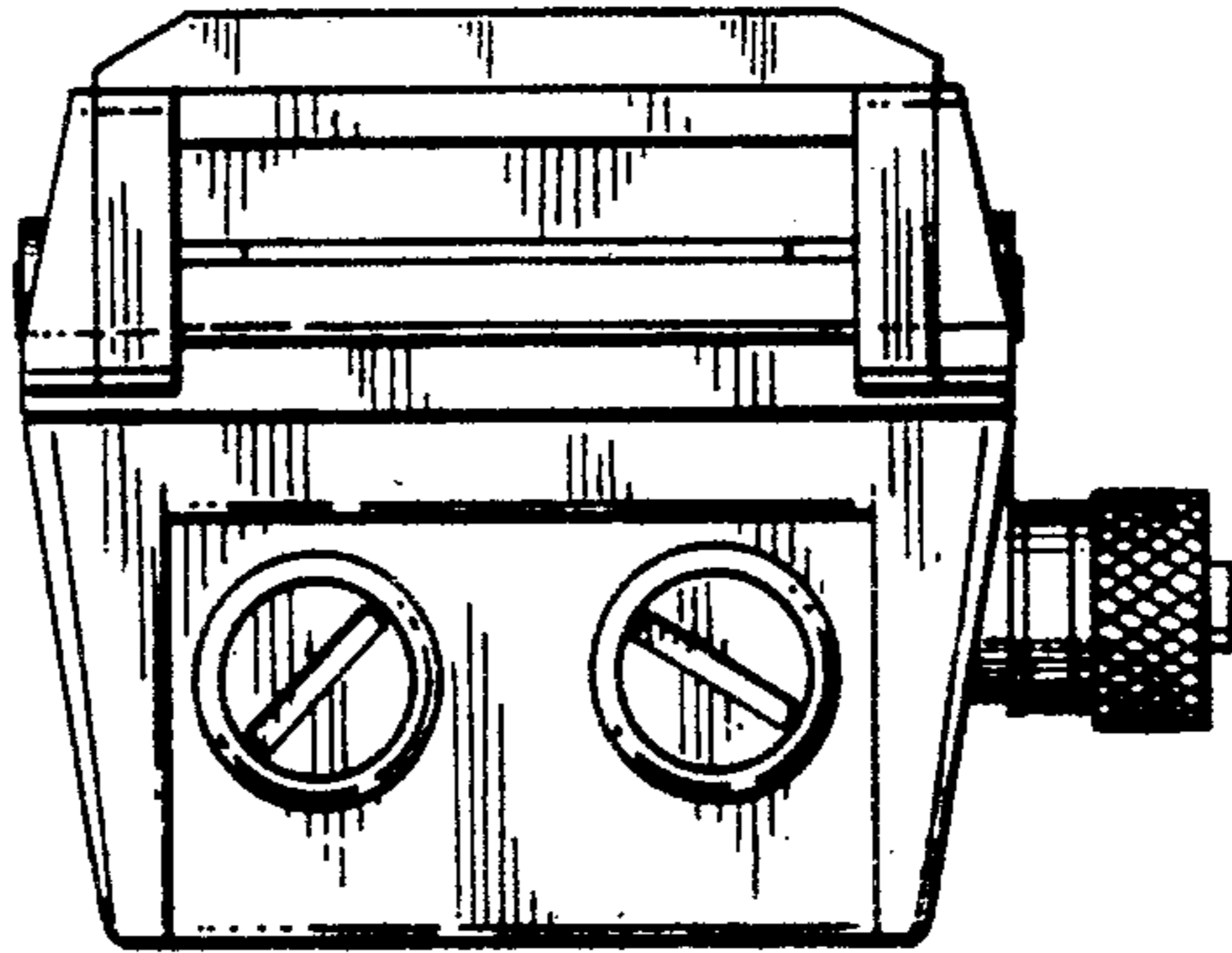


FIG. 4.

