

[54] **ARCHED RADAR SUPPORT FOR BOATS AND VEHICLES**

[76] Inventor: **John E. Shields**, 13200 Casa Linda La., Garden Grove, Calif. 92644

[\*\*] Term: **14 Years**

[21] Appl. No.: **488,417**

[22] Filed: **Apr. 25, 1983**

[52] U.S. Cl. .... **D12/317**

[58] Field of Search ..... **D12/317, 156, 190; 280/756; 114/270, 343**

[56] **References Cited**

**PUBLICATIONS**

Boating, 8/82, p. 58, Arched Radar Support on Trojan International Yacht.

Boating, 7/82, p. 13, Arched Support on Bluewater 47 Yacht.

Design News, 11/3/80, p. 72, Quarter Window, bottom of page.

*Primary Examiner*—James M. Gandy  
*Attorney, Agent, or Firm*—William W. Haefliger

[57] **CLAIM**

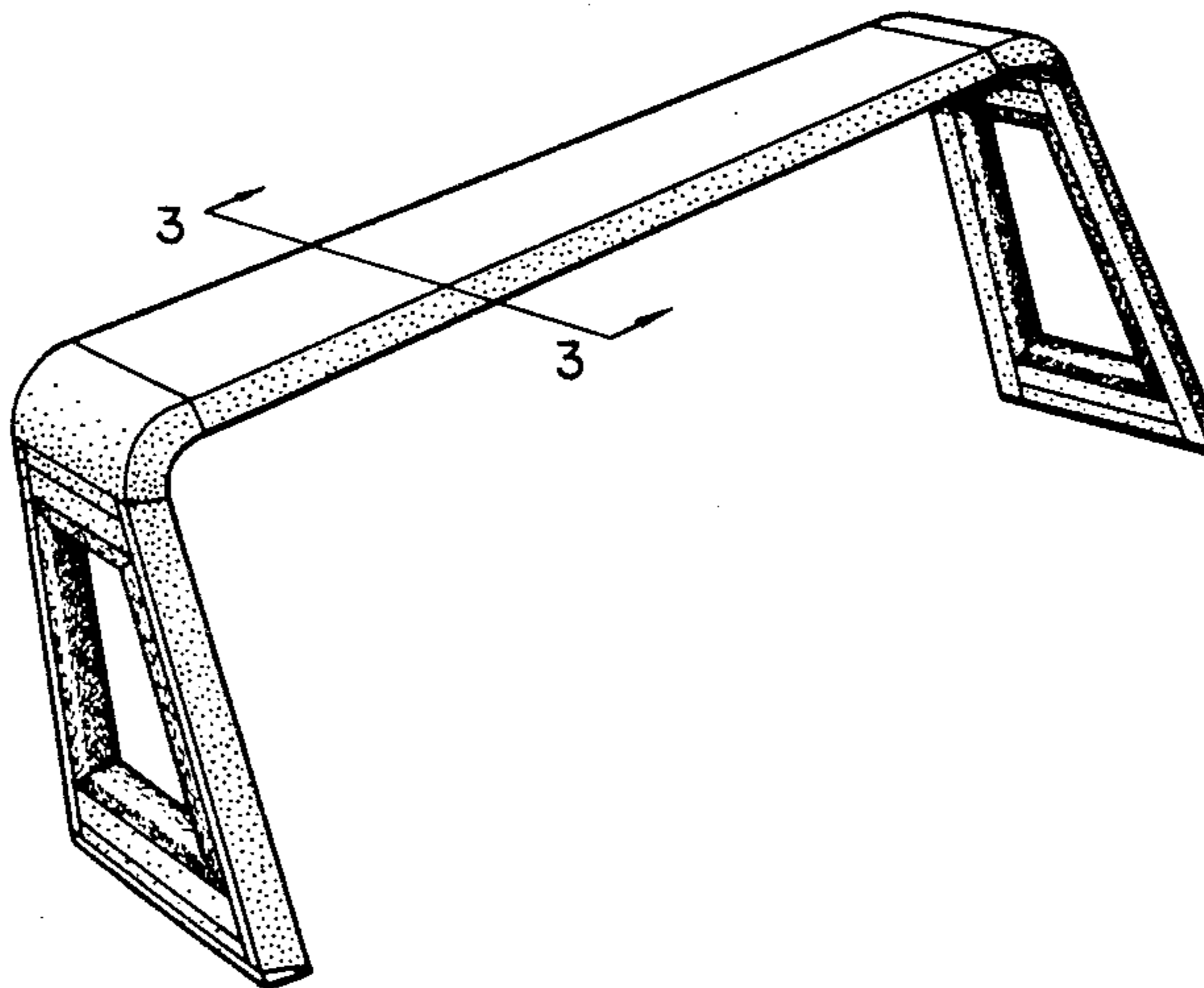
The ornamental design for an arched radar support for boats and vehicles, as shown.

**DESCRIPTION**

FIG. 1 is a perspective view showing the front, left side, and top of the arched radar support for boats and vehicles;

FIG. 2 is a perspective view showing the rear, right side and bottom thereof; and

FIG. 3 is a sectional view thereof taken along line 3—3 in FIG. 1.



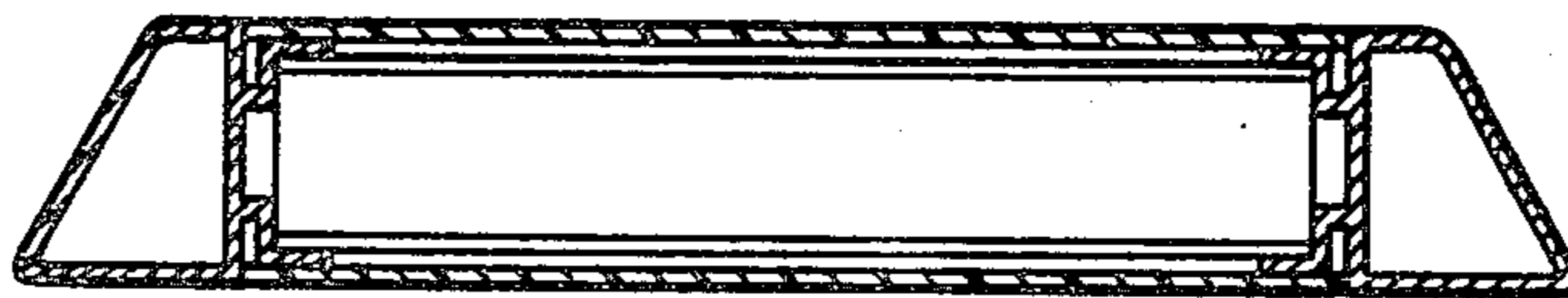
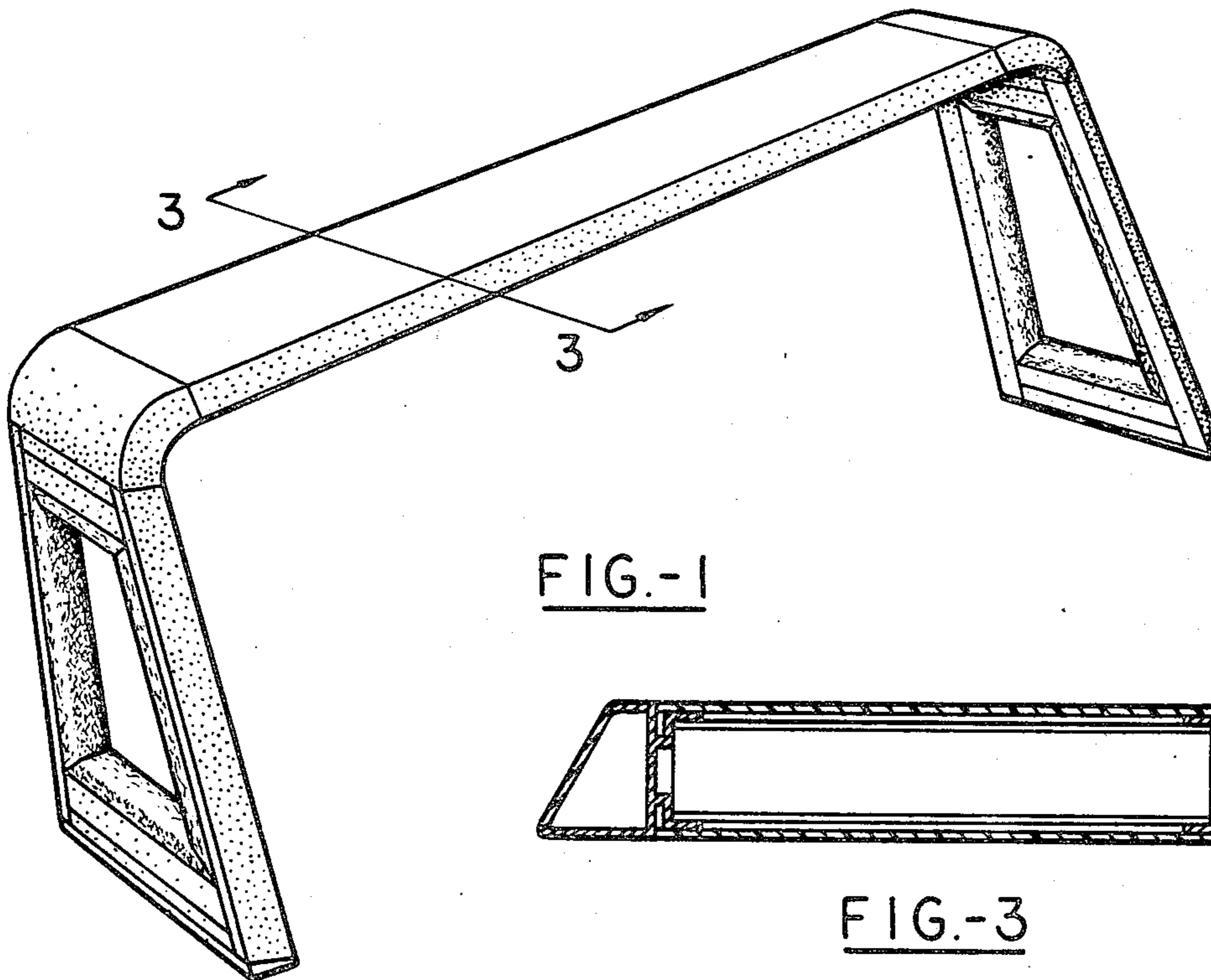


FIG. -3

