

[54] **WEDGE LOCK FOR A SLIDING PANEL**

[76] **Inventor: Isaac Stone, 7888 Ostrow St., San Diego, Calif. 92111**

[**] **Term: 14 Years**

[21] **Appl. No.: 487,037**

[22] **Filed: Apr. 21, 1983**

[52] **U.S. Cl. D8/402; D8/330**

[58] **Field of Search D8/330, 402; 269/315, 269/317; 292/288, 289, 343**

[56] **References Cited**

U.S. PATENT DOCUMENTS

1,463,222	7/1923	Mologne	292/343
1,939,402	12/1933	Moser	292/343

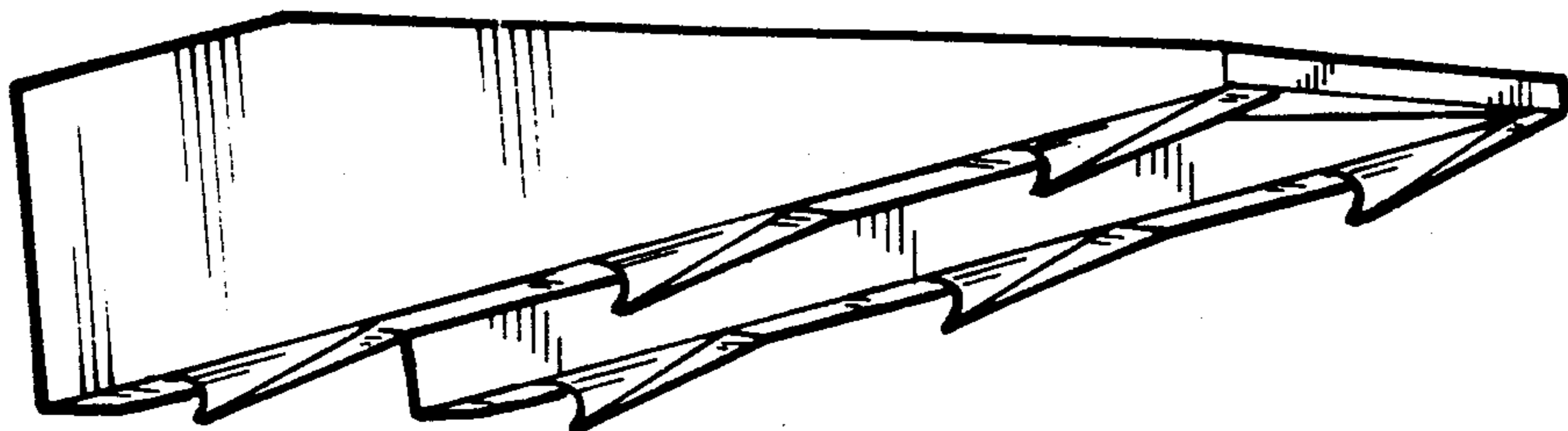
Primary Examiner—B. J. Bullock
Assistant Examiner—Suzanne N. Gitlin
Attorney, Agent, or Firm—Frank D. Gilliam

[57] **CLAIM**

The ornamental design for a wedge lock for a sliding panel, substantially as shown.

DESCRIPTION

FIG. 1 is a front perspective view of a wedge lock for a sliding panel showing my new design;
FIG. 2 is a front perspective view of a second embodiment of FIG. 1;
FIG. 3 is a top plan view of both embodiments;
FIG. 4 is an end elevational view of both embodiments;
FIG. 5 is a bottom plan view of FIG. 2;
FIG. 6 is a bottom plan view of FIG. 1.



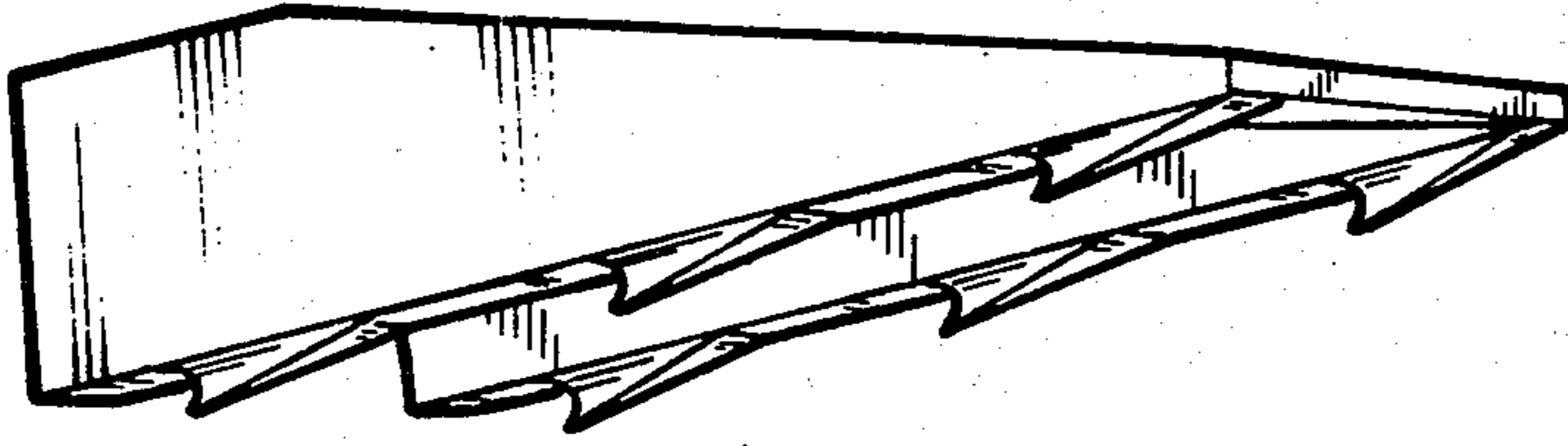


FIG. 1

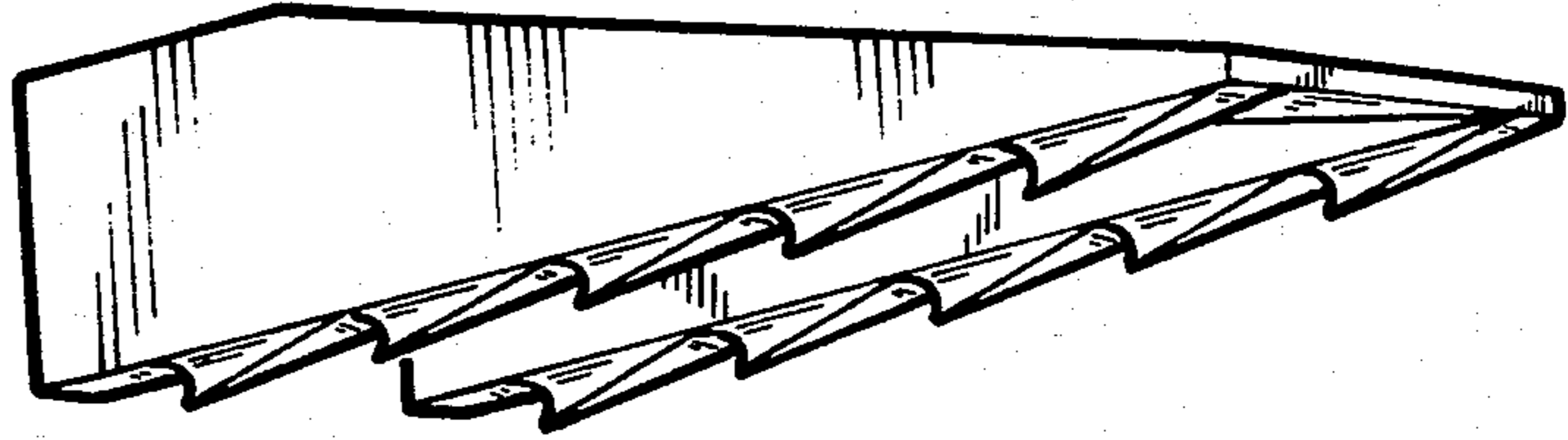


FIG. 2

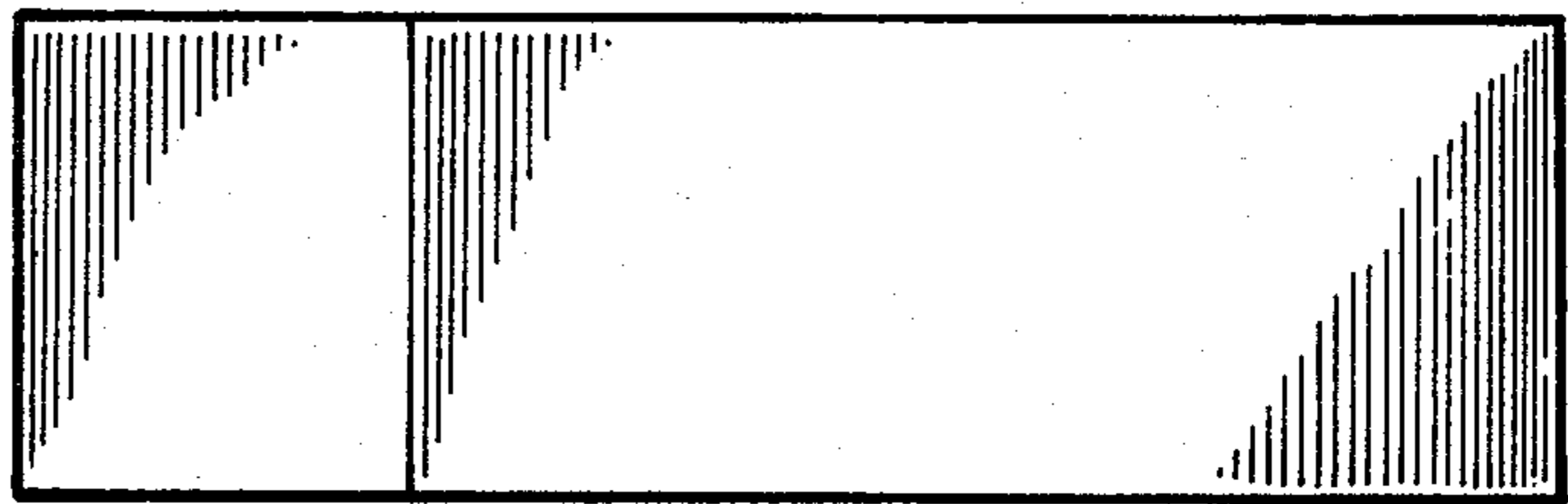


FIG. 3

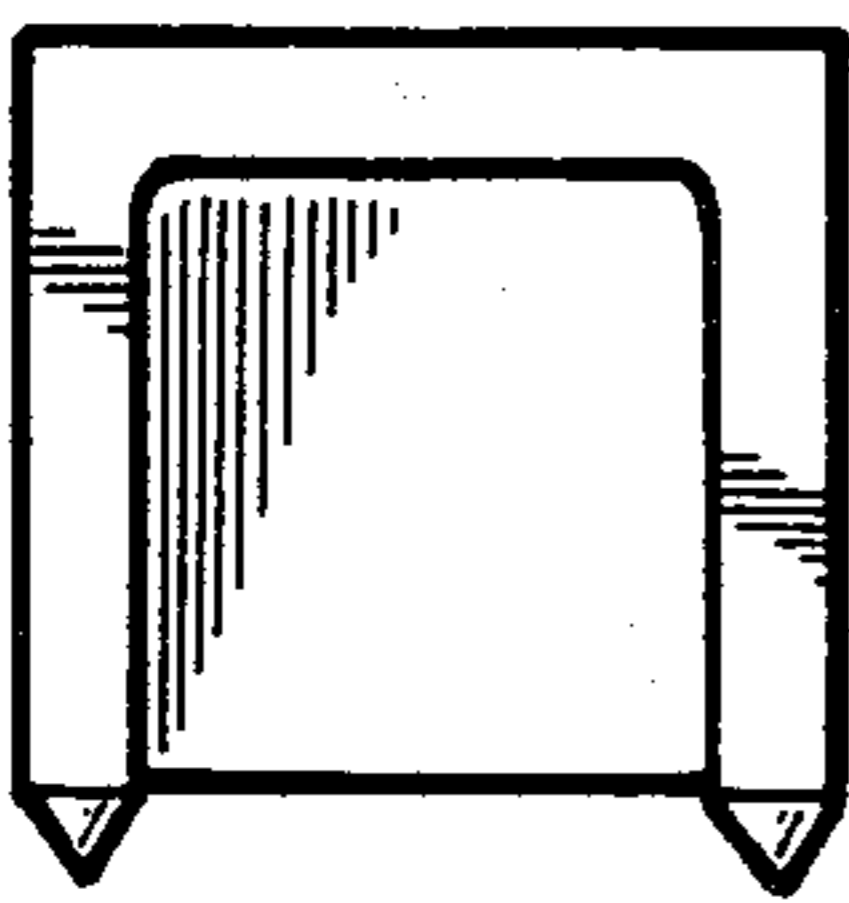


FIG. 4

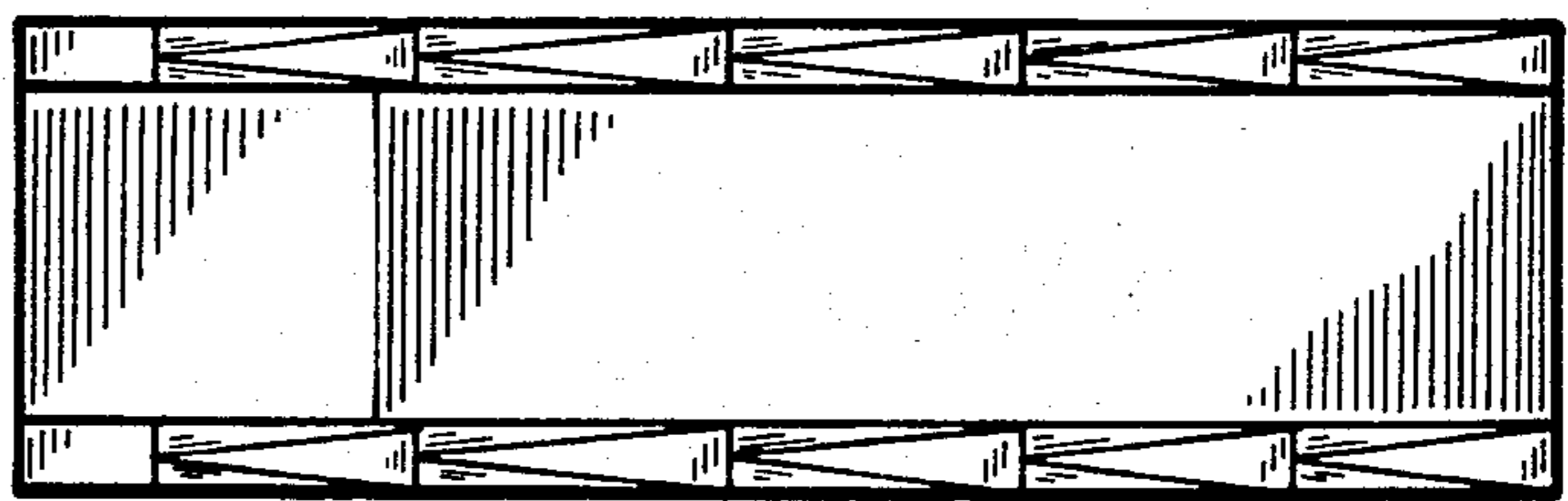


FIG. 5

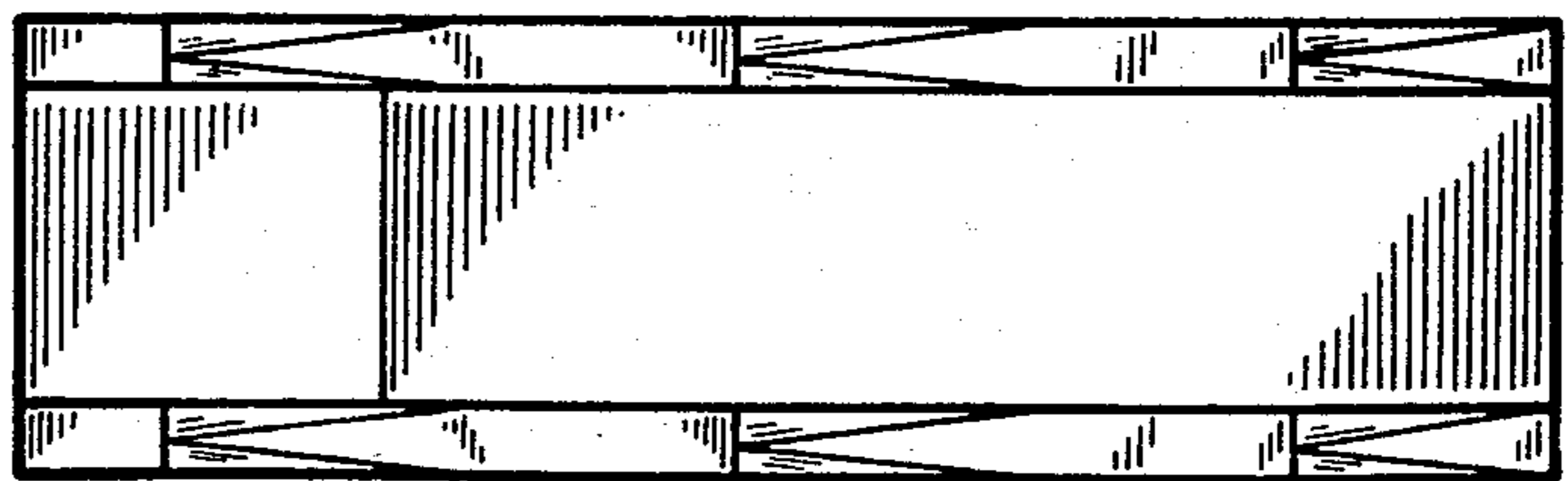


FIG. 6