

[54] **PULL**

[75] **Inventor: LaVerne E. Clayton, Rockford, Ill.**

[73] **Assignee: Amerock Corporation, Rockford, Ill.**

[\*\*] **Term: 14 Years**

[21] **Appl. No.: 579,422**

[22] **Filed: Feb. 13, 1984**

[52] **U.S. Cl. .... D8/317; D8/302**

[58] **Field of Search .... D8/300, 315-320, D8/301, 302; 16/110 R, 111 R, 114 R, 117, 118, 121**

[56] **References Cited**

**U.S. PATENT DOCUMENTS**

D. 239,752	5/1976	Clayton	.....	D8/302
D. 241,606	9/1976	Tegner	.....	D8/317
D. 241,807	10/1976	Clayton	.....	D8/317
D. 246,419	11/1977	Ridgway et al.	.....	D8/302
D. 246,424	11/1977	Clayton	.....	D8/317
D. 246,426	11/1977	Ridgway et al.	.....	D8/318
D. 246,501	11/1977	Clayton	.....	D8/302

*Primary Examiner*—B. J. Bullock  
*Attorney, Agent, or Firm*—Ltd. Leydig, Voit & Mayer

[57] **CLAIM**

The ornamental design for a pull, as shown and described.

**DESCRIPTION**

FIG. 1 is a front elevational view of a pull embodying my new design;  
 FIG. 2 is a bottom plan view thereof, the top being a mirror image;  
 FIG. 3 is an end elevational view thereof;  
 FIG. 4 is an enlarged fragmentary sectional view taken in the direction of the arrows on line 4—4 of FIG. 1;  
 FIG. 5 is an enlarged sectional view taken along line 5—5 of FIG. 2;  
 FIG. 6 is an enlarged sectional view taken along line 6—6 of FIG. 2;  
 FIG. 7 is a front elevational view of a second embodiment of the design of FIG. 1;  
 FIG. 8 is a bottom plan view thereof, the top being a mirror image;  
 FIG. 9 is an end elevational view as seen from the left of FIG. 7;  
 FIG. 10 is an end elevational view as seen from the right of FIG. 7;  
 FIG. 11 is an enlarged sectional view taken in the direction of the arrows on line 11—11 of FIG. 7 shown broken away for ease of illustration;  
 FIG. 12 is an enlarged sectional view taken along line 12—12 of FIG. 8;  
 FIG. 13 is an enlarged sectional view taken along line 13—13 of FIG. 8.

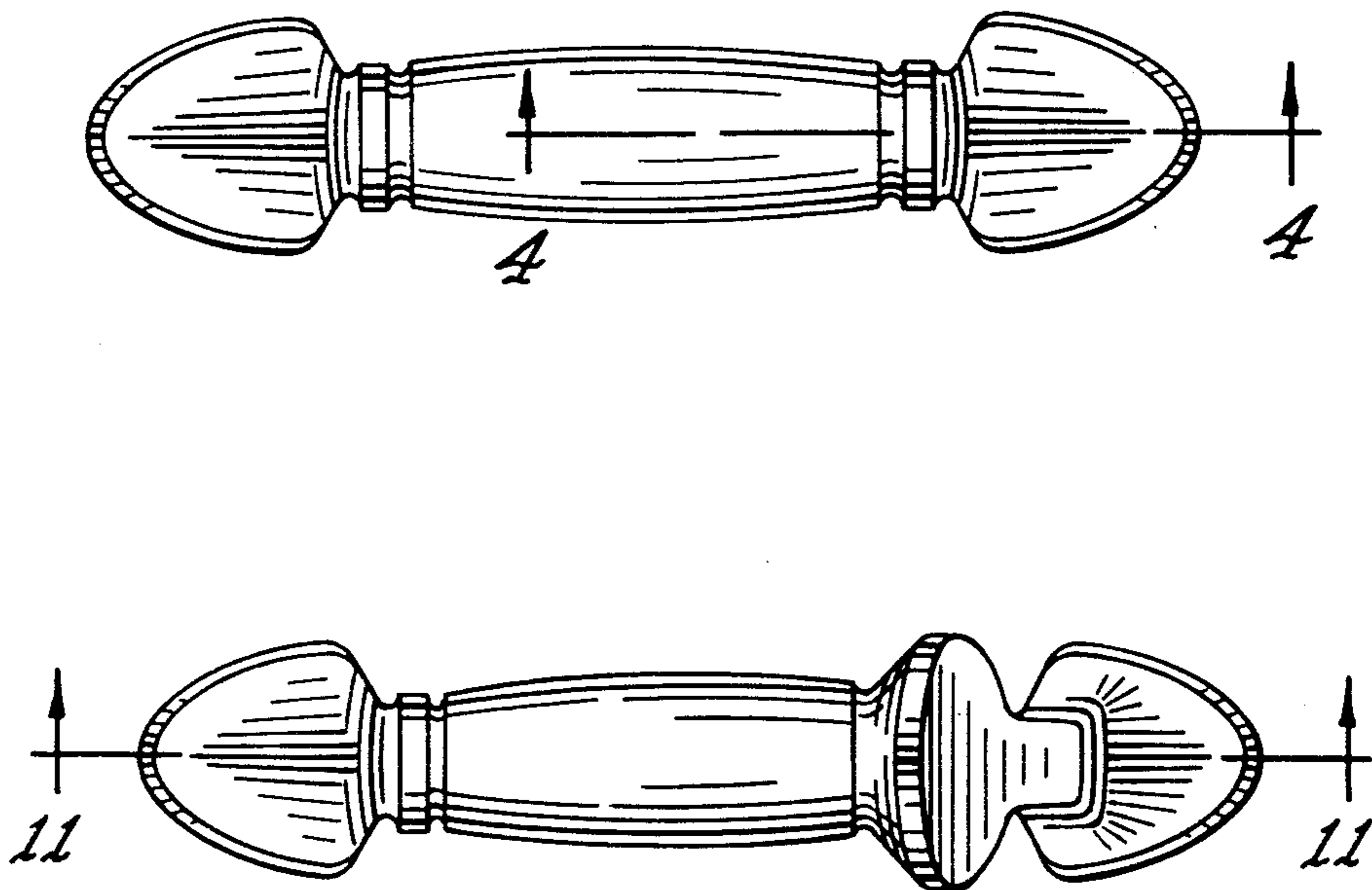




FIG. 1.

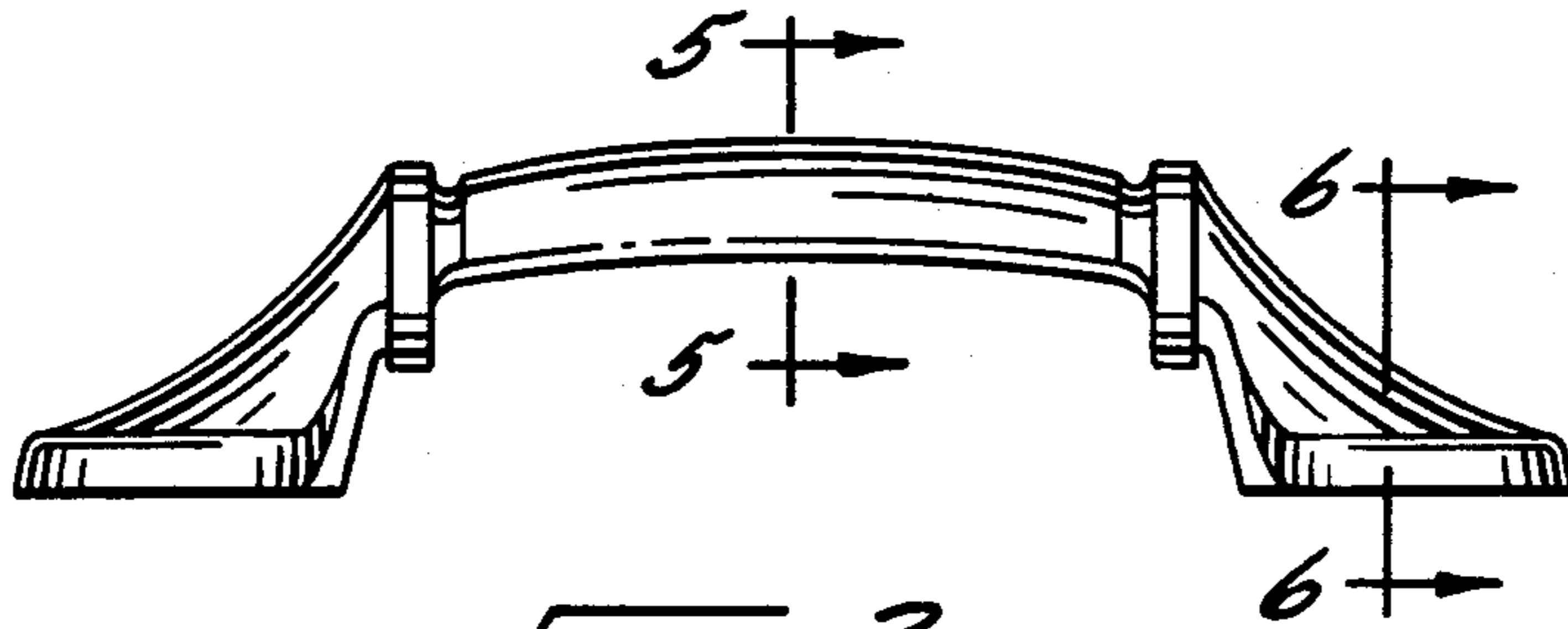


FIG. 2.

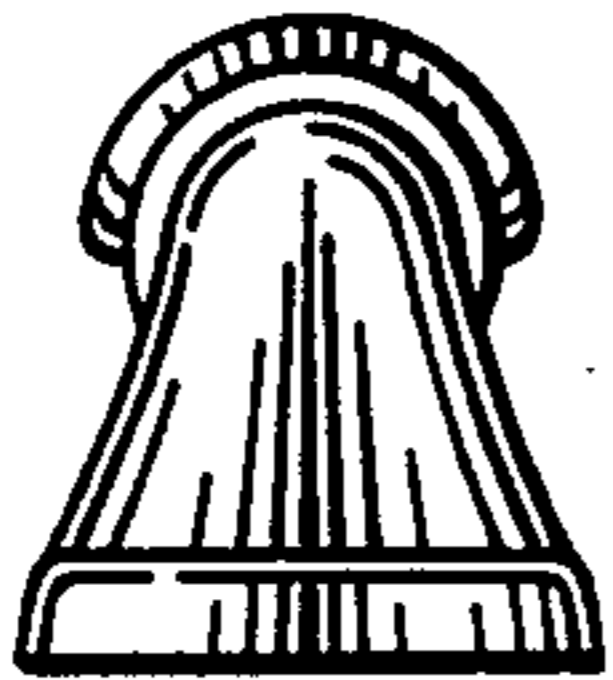


FIG. 3.

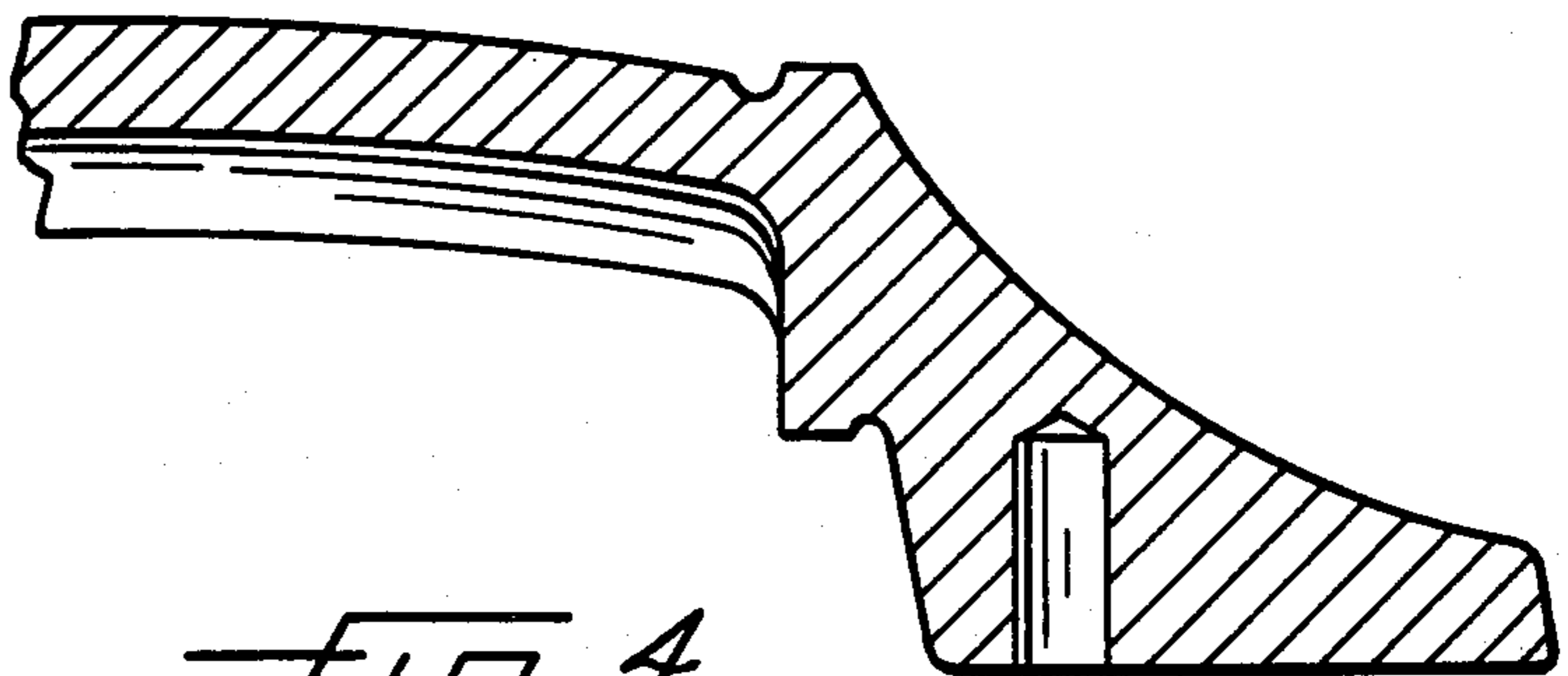


FIG. 4.

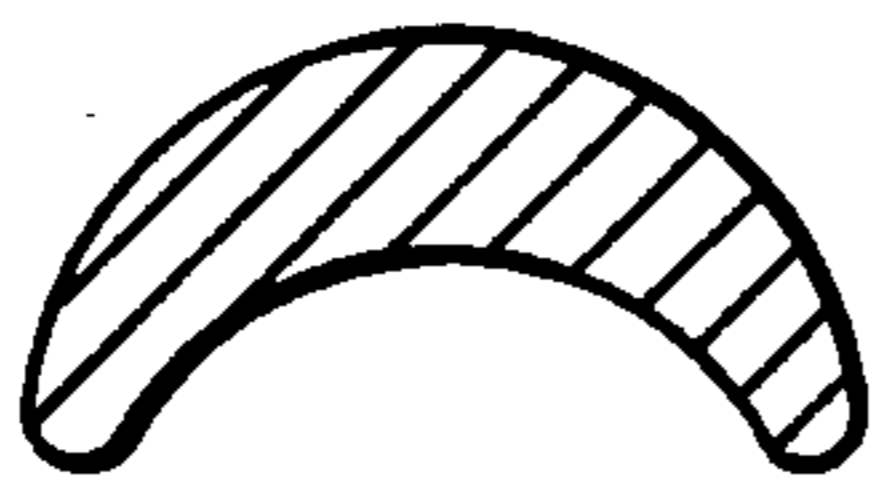


FIG. 5.

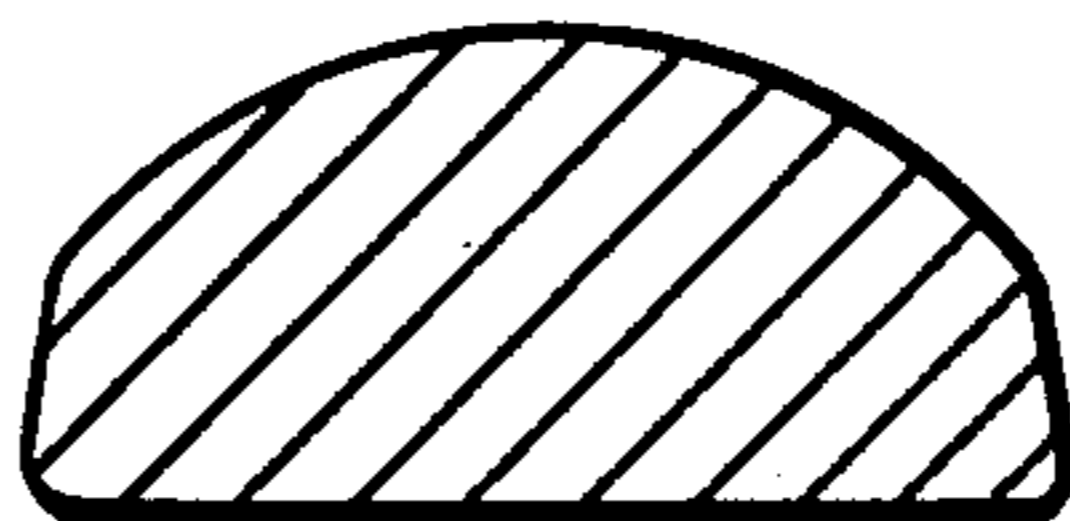


FIG. 6.



FIG. 7.

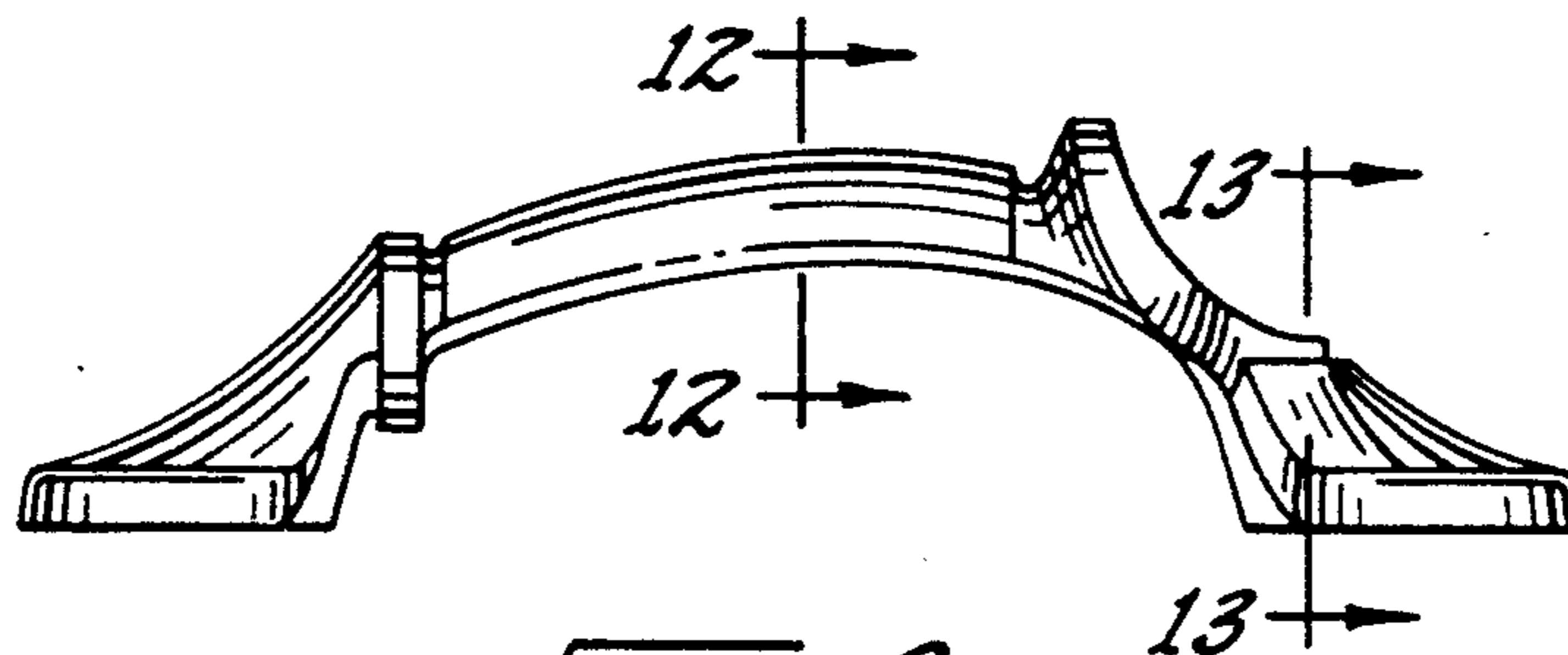


FIG. 8.

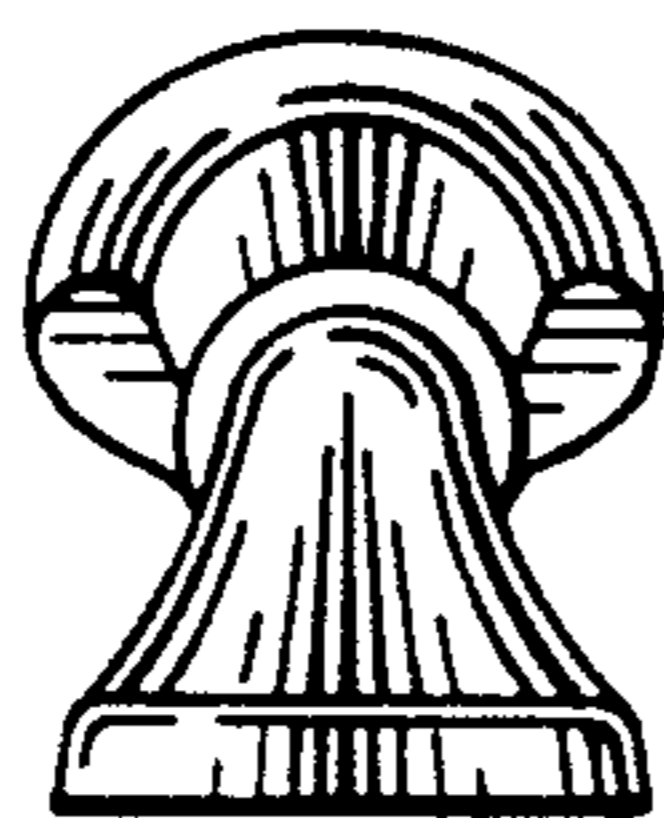


FIG. 9.

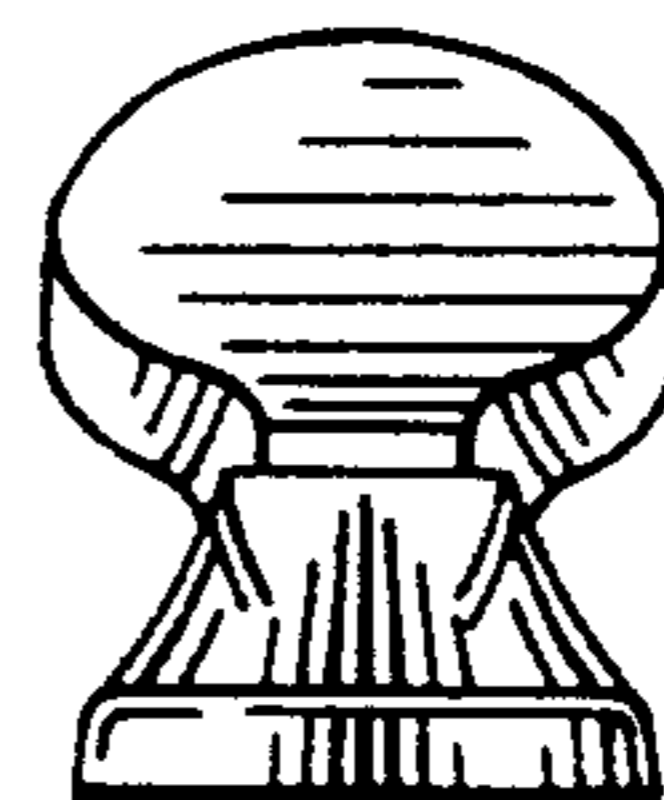


FIG. 10.

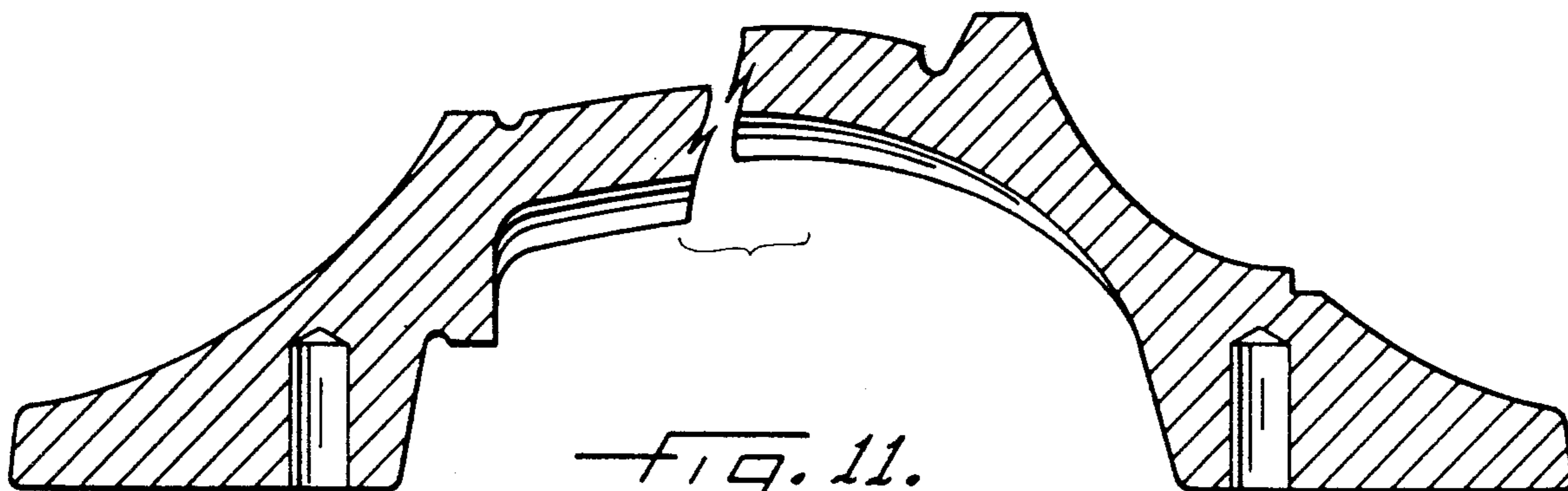


FIG. 11.

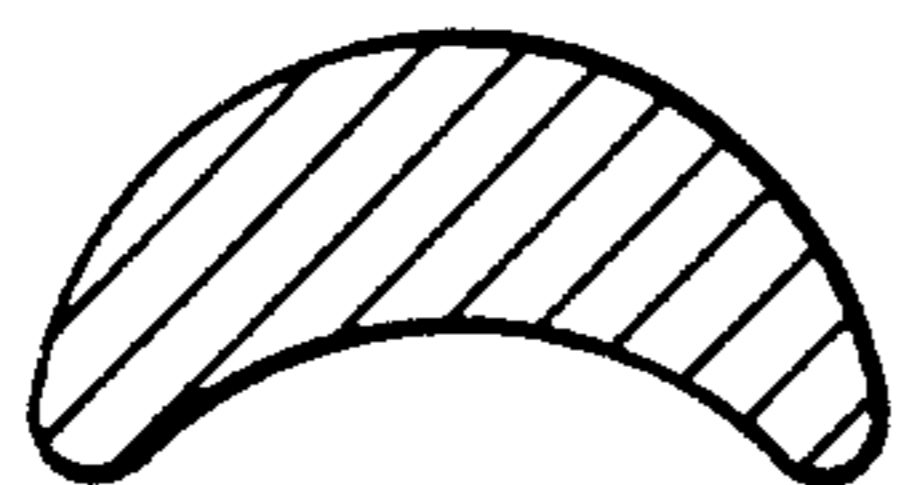


FIG. 12.

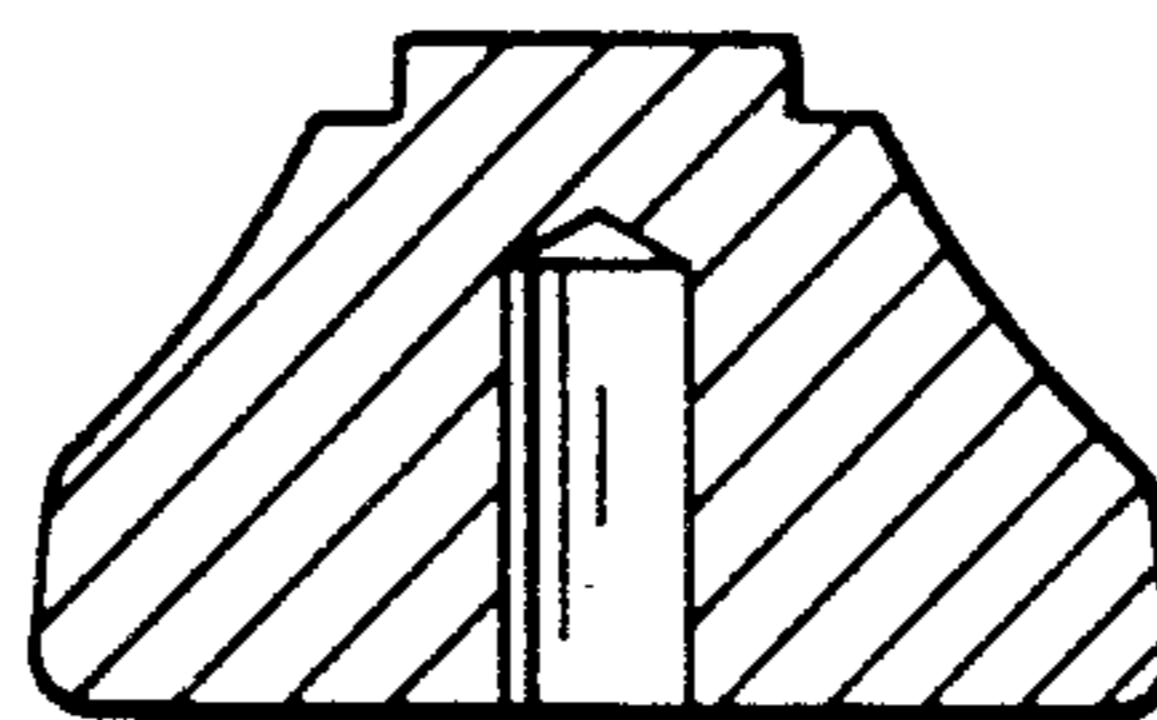


FIG. 13.