

[54] CANNISTER

3,494,499 2/1970 Plog et al. .... 220/352 X

[75] Inventors: John R. Hensley, Los Altos;  
Frederick H. Stengel, Redwood City,  
both of Calif.

Primary Examiner—Bernard Ansher  
Assistant Examiner—Terry Pfeffer  
Attorney, Agent, or Firm—Owen, Wickersham &  
Erickson

[73] Assignee: Hensley Housewares, Los Altos,  
Calif.

[57] CLAIM

[\*\*] Term: 14 Years

The ornamental design for a cannister, substantially as  
shown and described.

[21] Appl. No.: 534,381

DESCRIPTION

[22] Filed: Sep. 21, 1983

[52] U.S. Cl. .... D7/79; D9/425

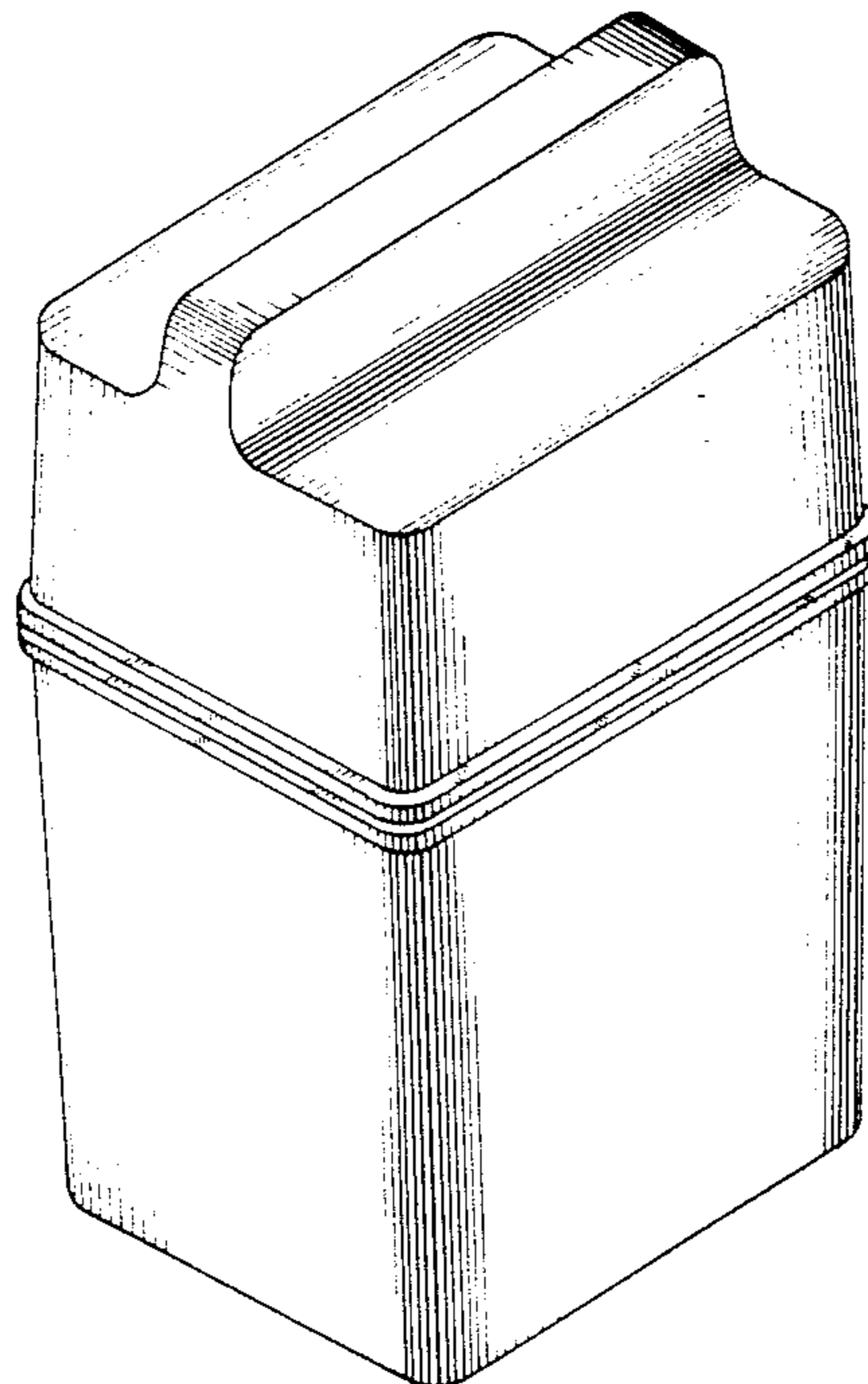
[58] Field of Search ..... D7/79, 78, 76, 16, 18,  
D7/73; 206/217; D9/425, 434, 431; 220/8, 352,  
356

FIG. 1 is a top, front, right side perspective view of a  
cannister showing my new design;  
FIG. 2 is an exploded perspective view thereof;  
FIG. 3 is an exploded bottom, front, right side perspec-  
tive view thereof;  
FIG. 4 is a top plan view thereof;  
FIG. 5 is a bottom plan view of the lid shown separately  
for clarity of illustration;  
FIG. 6 is a left side elevation thereof;  
FIG. 7 is a top plan view of the lower portion of the  
cannister shown separately for clarity of illustration;  
and  
FIG. 8 is a cross section taken along line 8—8 in FIG. 6.

[56] References Cited

U.S. PATENT DOCUMENTS

D. 75,133	5/1928	Poses	.....	D9/425
D. 204,713	5/1966	Shelby	.....	D9/425
D. 250,280	11/1978	Waldman	.....	D9/431
D. 264,527	5/1982	Kato et al.	.....	D3/73
1,304,415	5/1919	Tucker	.....	220/8 X



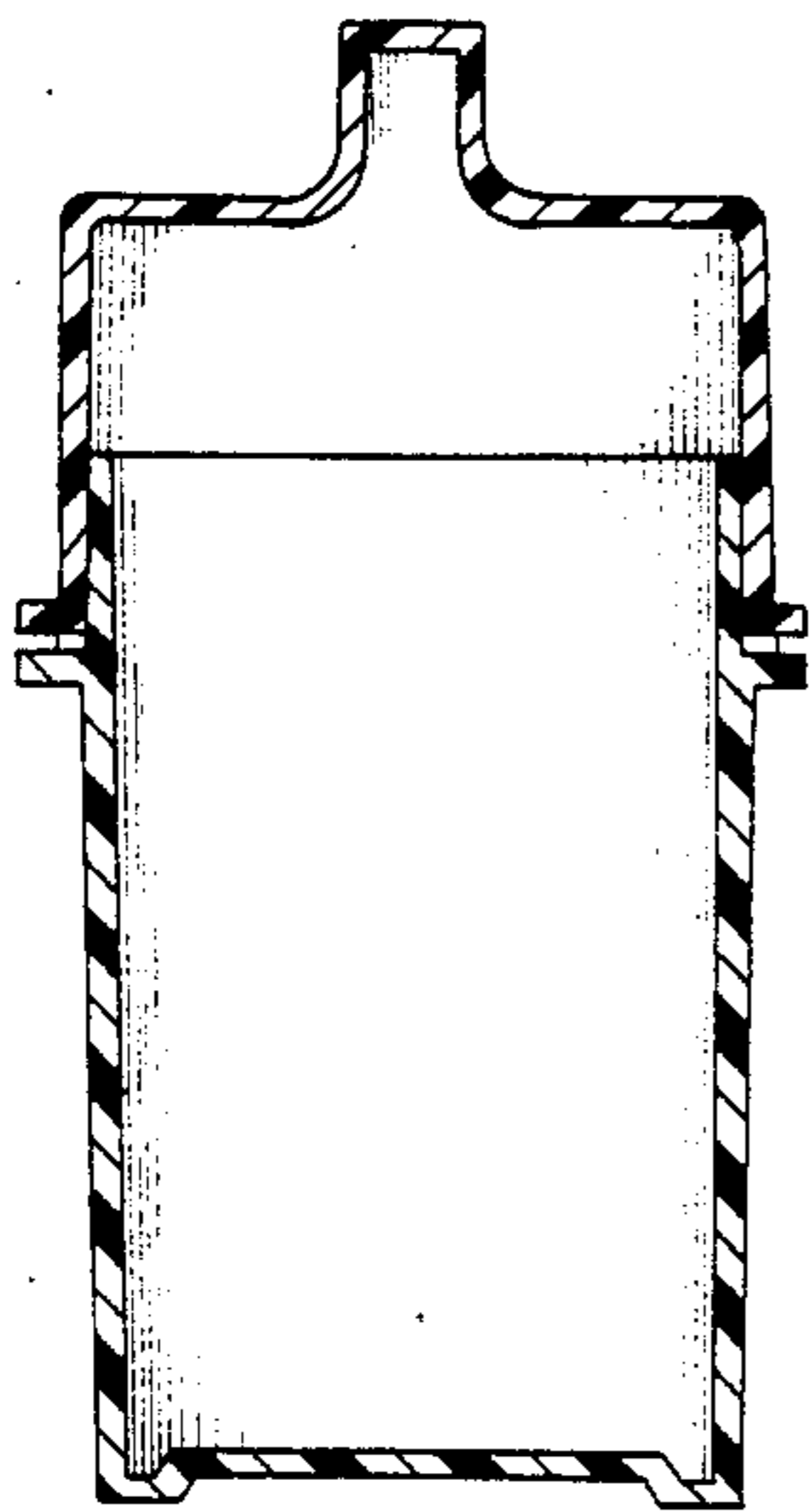
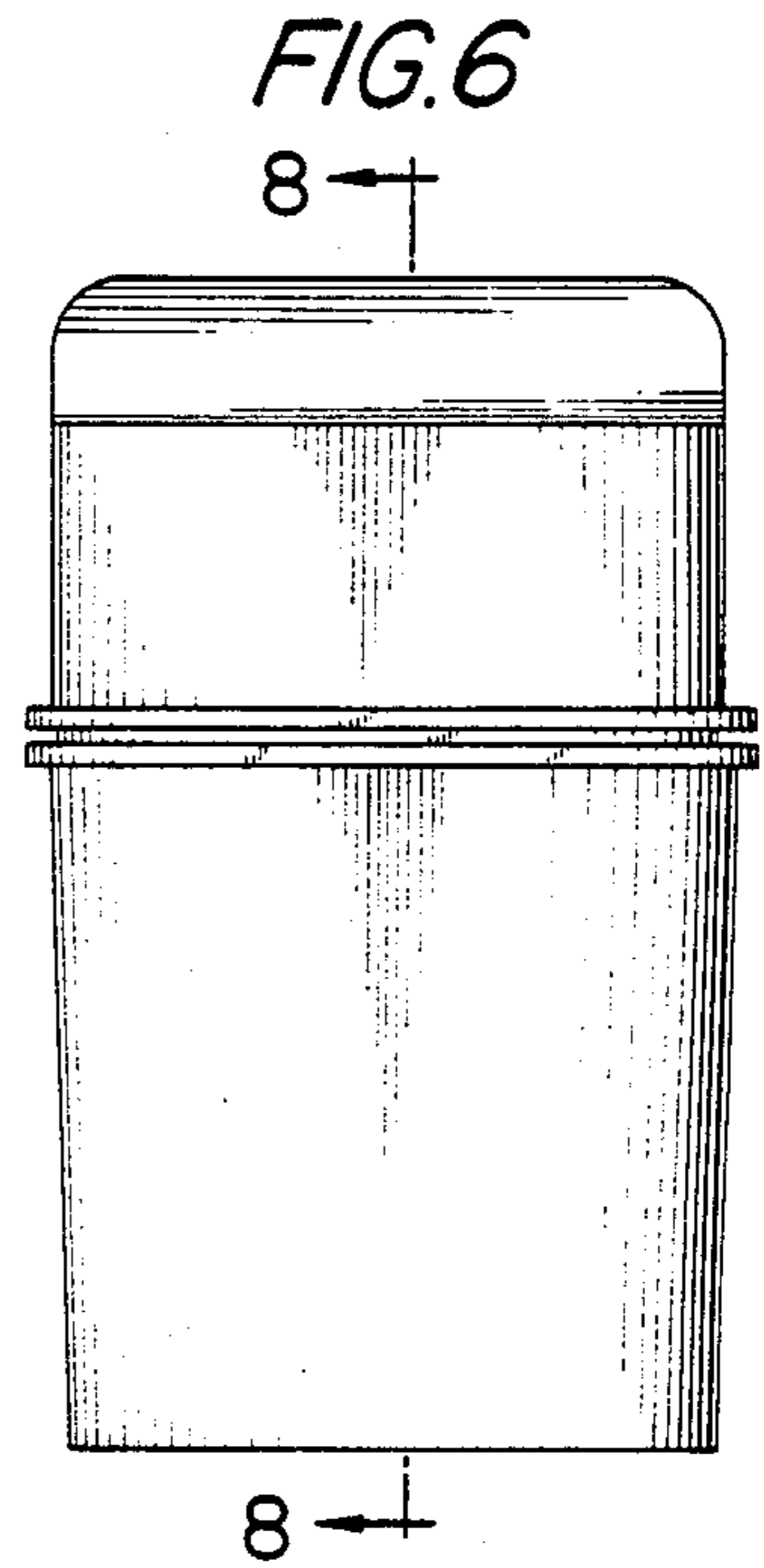
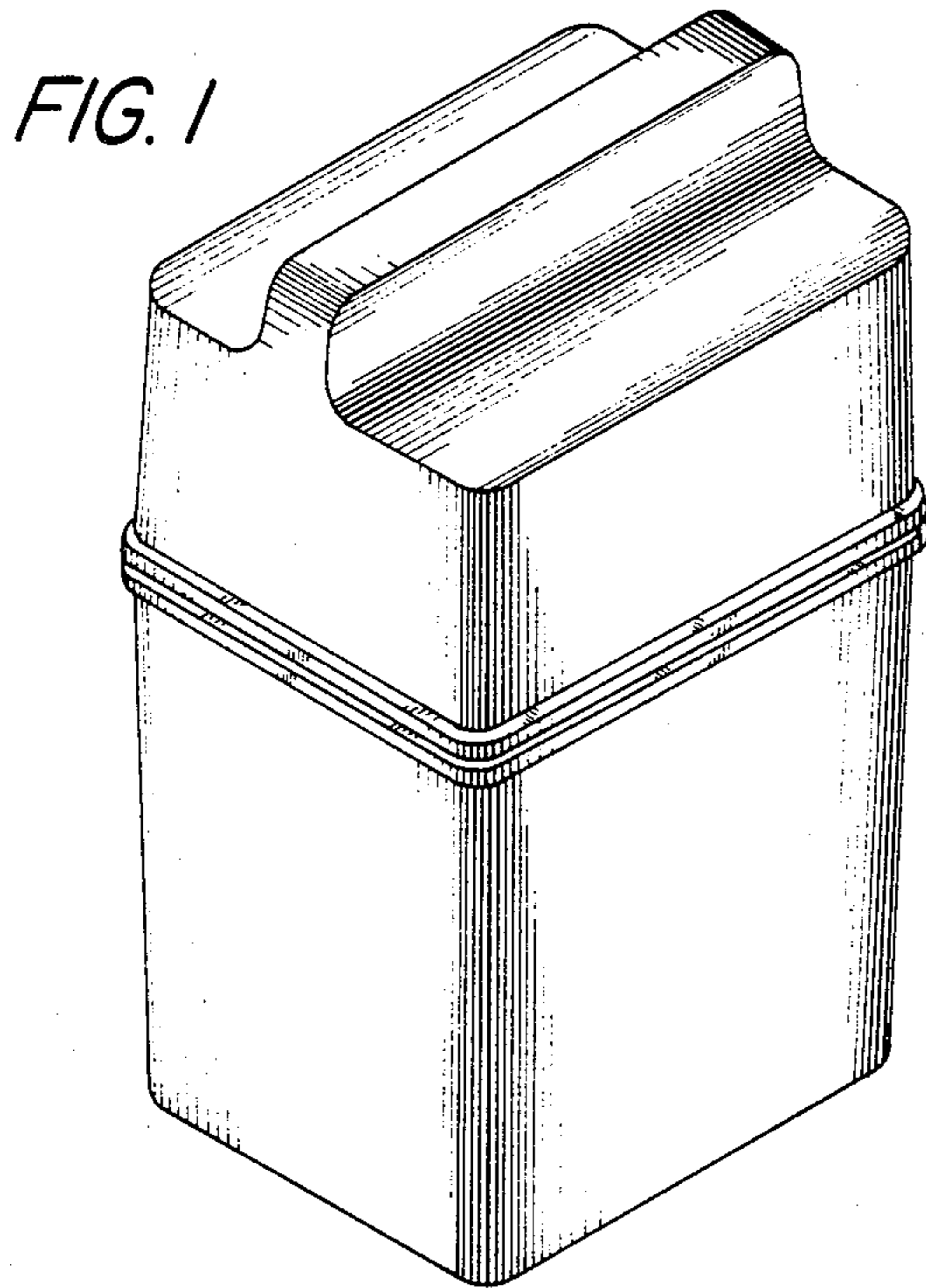


FIG. 8

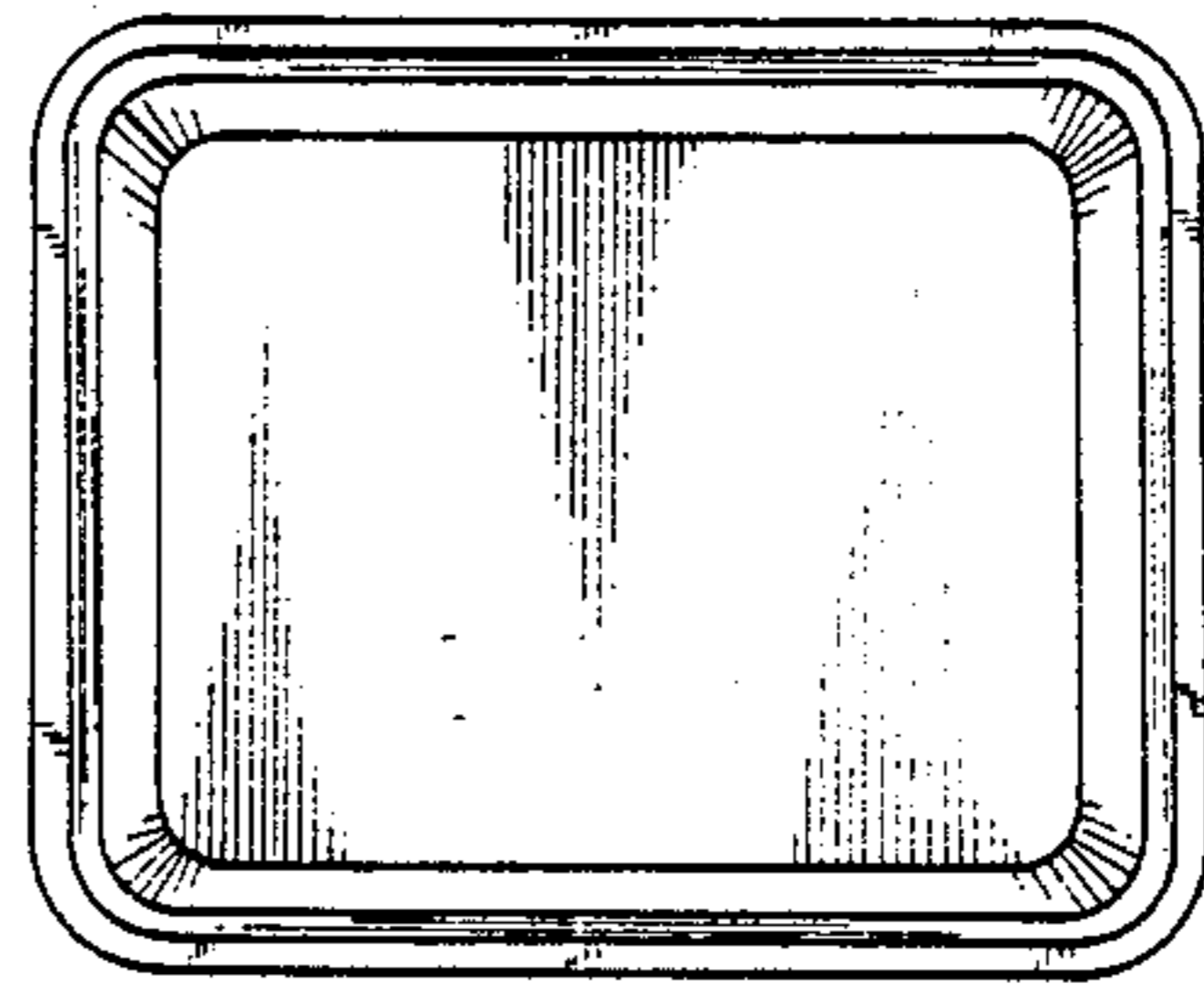


FIG. 7

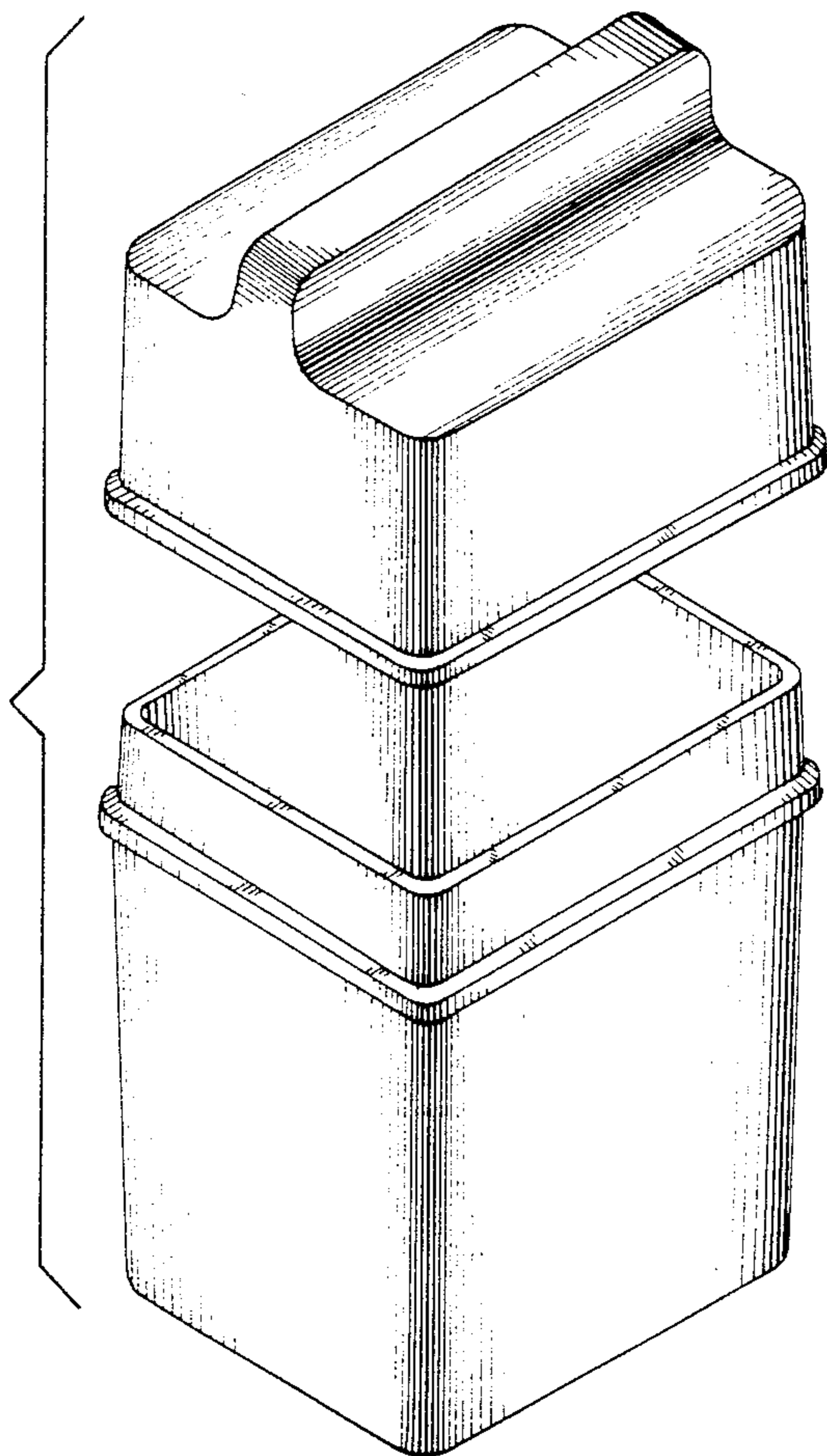


FIG. 2

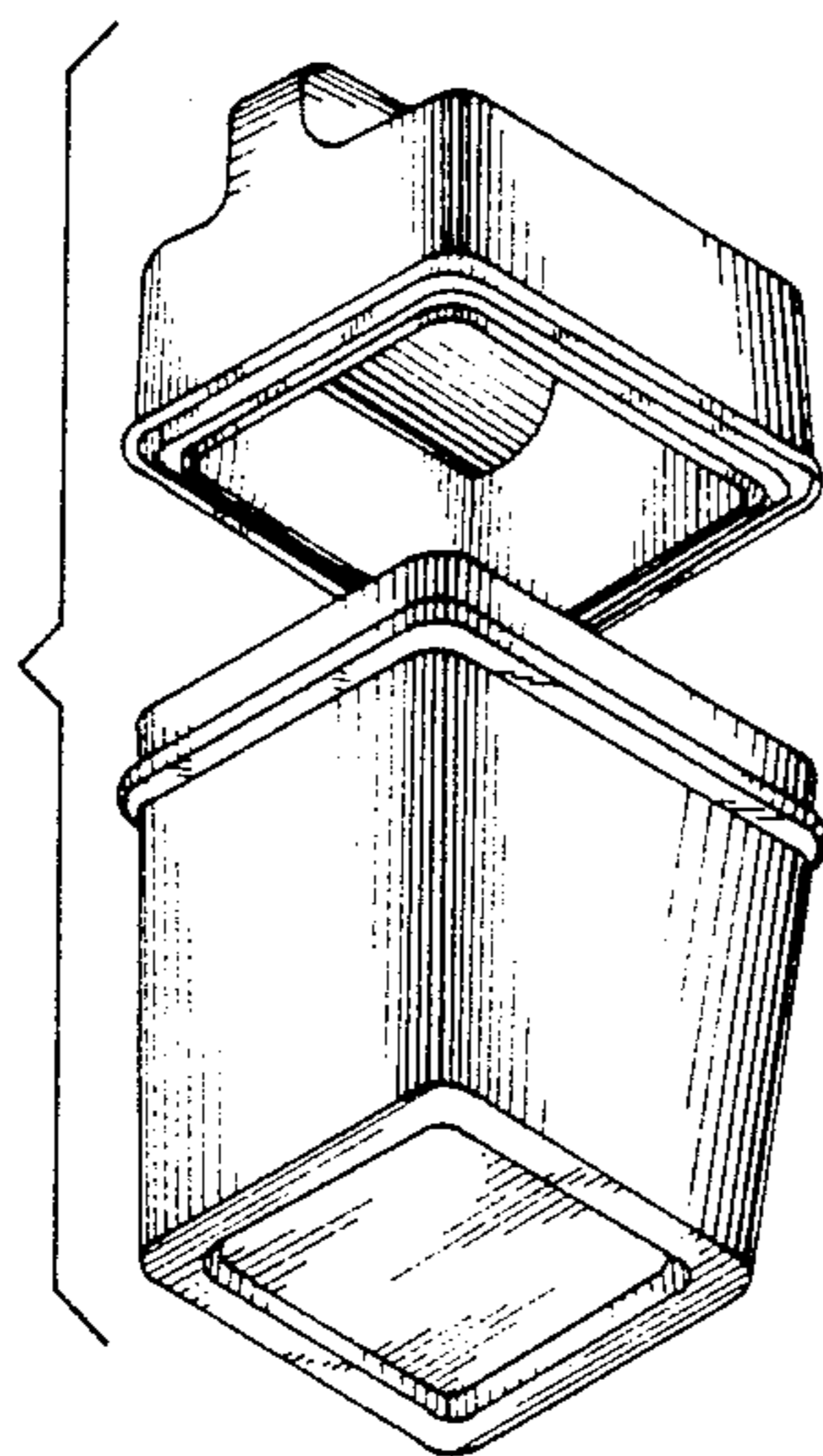


FIG. 3

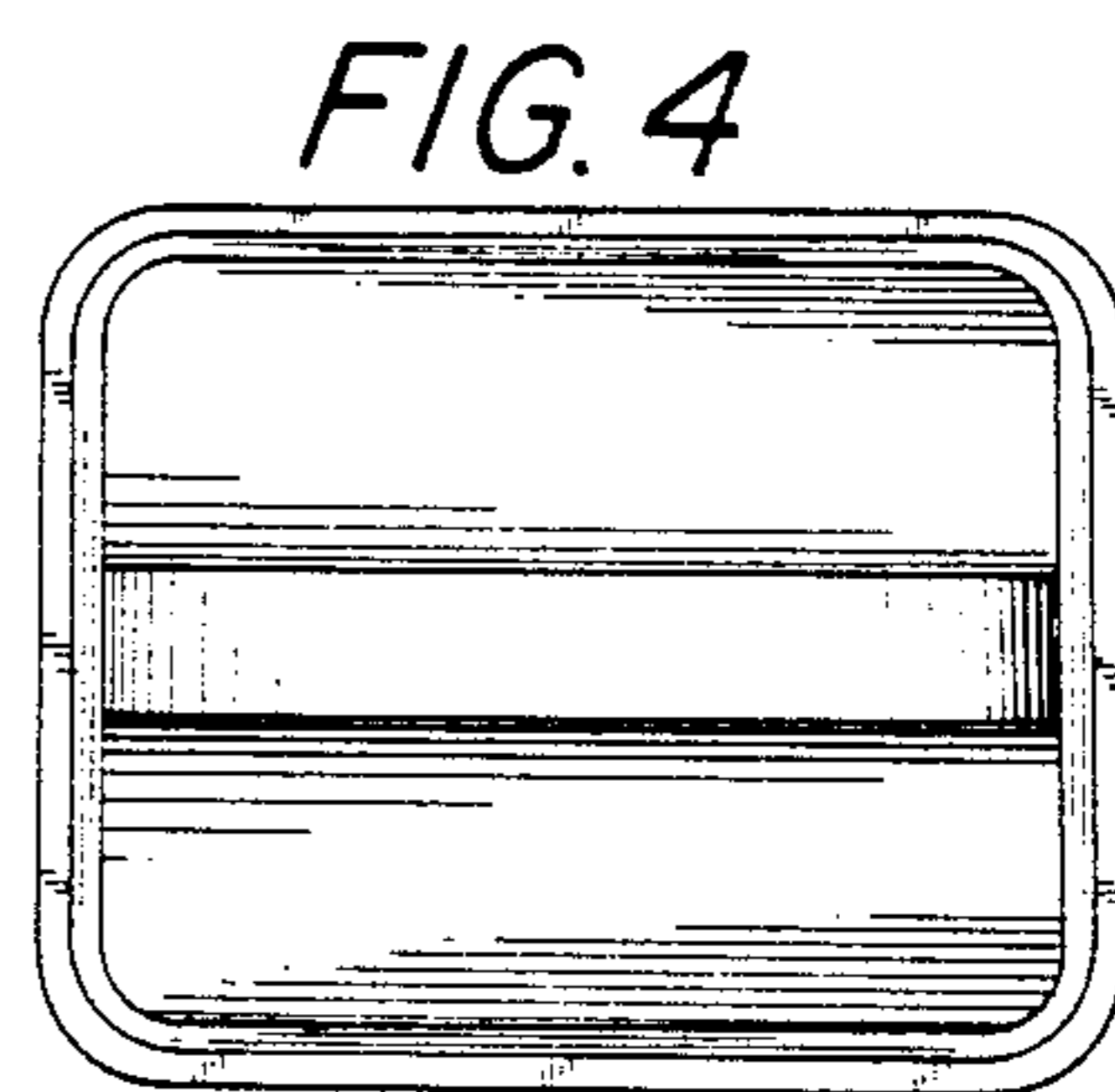


FIG. 4

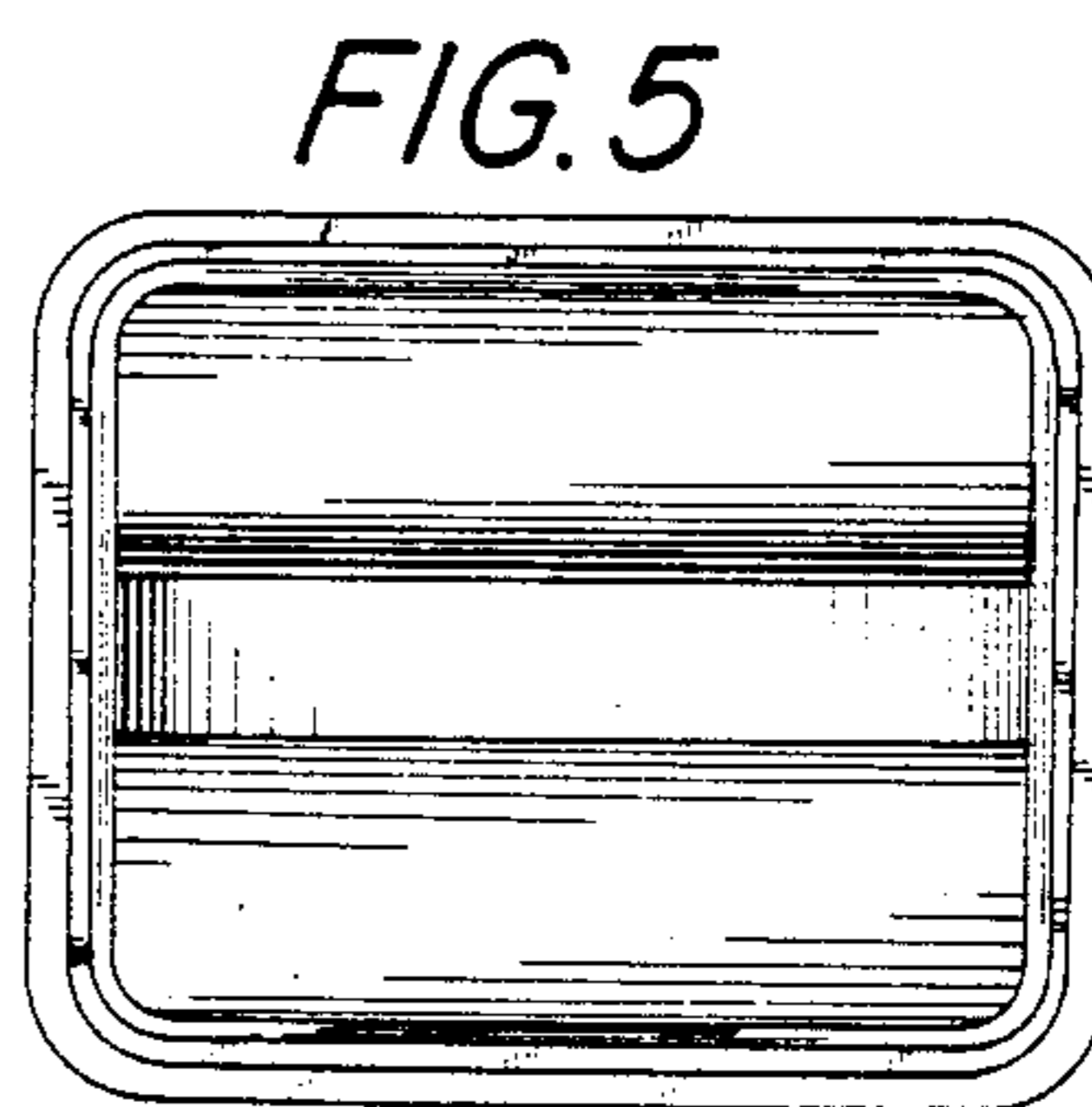


FIG. 5