

[54] COMPARTMENTED OVENWARE DISH

[75] Inventor: William C. Gerber, Wooster, Ohio

[73] Assignee: Rubbermaid Incorporated, Wooster, Ohio

[**] Term: 14 Years

[21] Appl. No.: 543,863

[22] Filed: Oct. 20, 1983

[52] U.S. Cl. D7/21; D7/1; D7/38; D7/357

[58] Field of Search D7/16, 18, 21, 38, 37, D7/1, 360, 354, 356, 357; D9/347, 425, 429; D11/155, 152

[56] References Cited

U.S. PATENT DOCUMENTS

D. 51,837	3/1918	Evans	D7/354
D. 195,903	8/1963	Bogart	D9/425
D. 214,832	8/1969	Bloch et al.	D9/425
D. 219,263	11/1970	Castelli et al.	D9/347
D. 224,288	7/1972	Bloch	D9/347
D. 224,662	8/1972	Swett	D7/38

OTHER PUBLICATIONS

HFD Retailing Home Furnishings, Supplement, Jan. 17, 1977, Sec. 2, p. 35, Anchor Hocking Bakeware at top left, Rectangular Fluted Wall Dish.

Pfaltzgraff Co. Supplement to HFD, Jun. 27, 1977, Sec. I, fully open, inside left, Rectangular Baker 03-236/handled.

Best Catalog 1982/1983, 9-25-82, p. 193, Corning

"French White" 3 piece and 5 piece sets, top left and right.

P. 5 of a brochure of Litton Systems, Inc., Minneapolis, Minn. published in about Jul. 1982, Cook'n Serve Set.

P. 66 of a brochure of Anchor Hocking Corp., Lancaster, Ohio, published in about Jul. 1979.

An advertising sheet of Corning Glass Works, Corning, N.Y., published in about Apr. 1982.

An advertising sheet of Eagle Affiliates, Brooklyn, N.Y., published in about Jan., 1983.

McCall's, Sep. 1979, p. 55, advertisement of Tupperware Division of Dart Industries, Inc., Orlando Fla. published in Sep., 1979.

Primary Examiner—Winifred E. Herrmann

Attorney, Agent, or Firm—Renner, Kenner, Greive, Bobak & Taylor

[57] CLAIM

The ornamental design for a compartmented ovenware dish, as shown and described.

DESCRIPTION

FIG. 1 is a perspective view of a compartmented ovenware dish embodying my new design.

FIG. 2 is a top plan view thereof.

FIG. 3 is a side elevational view thereof.

FIG. 4 is an end elevational view thereof.

FIG. 5 is a bottom plan view thereof.

FIG. 6 is a sectional view on line 6—6 of FIG. 5.

FIG. 7 is a sectional view on line 7—7 of FIG. 5.

FIG. 8 is a sectional view on line 8—8 of FIG. 4.

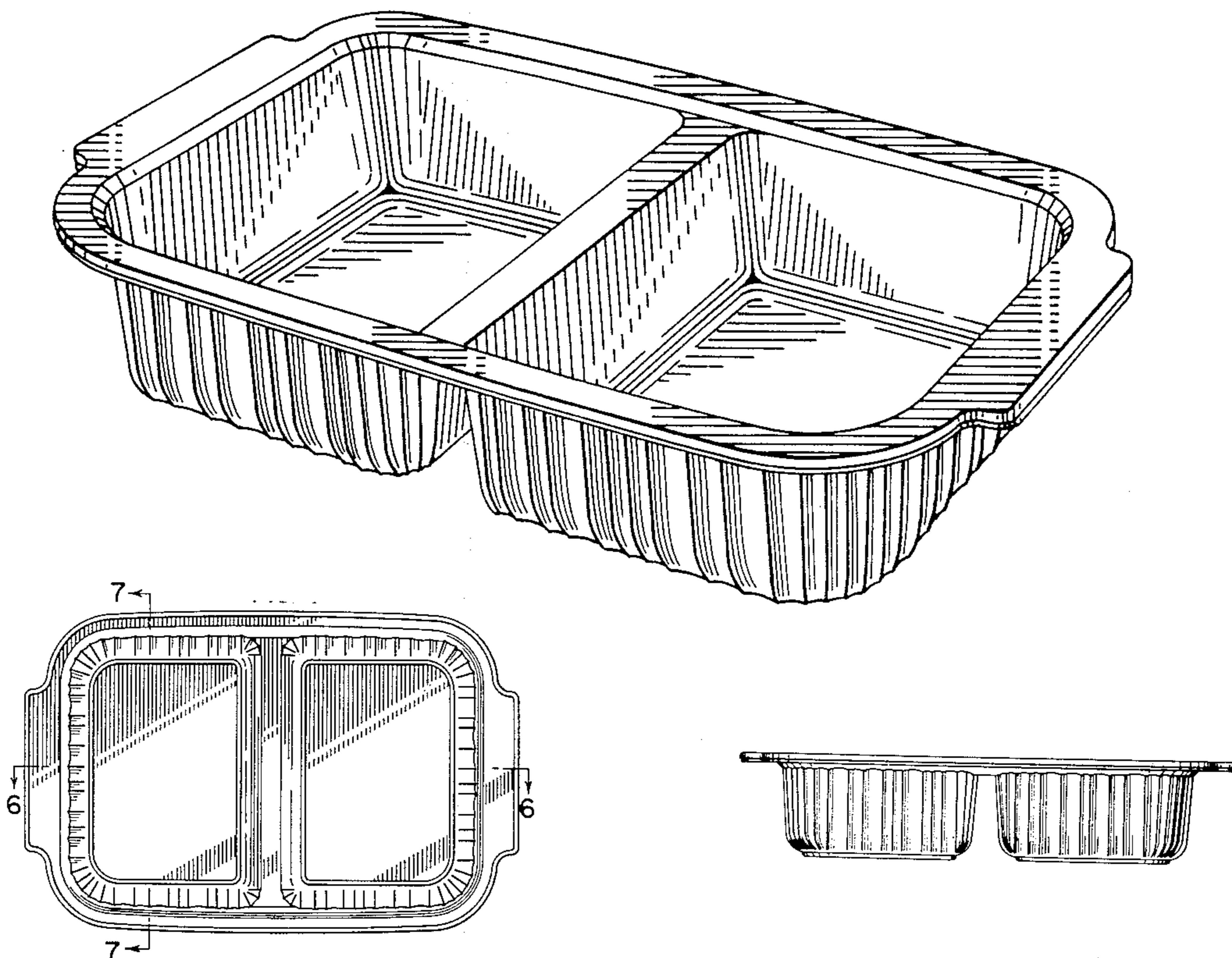


FIG. 1

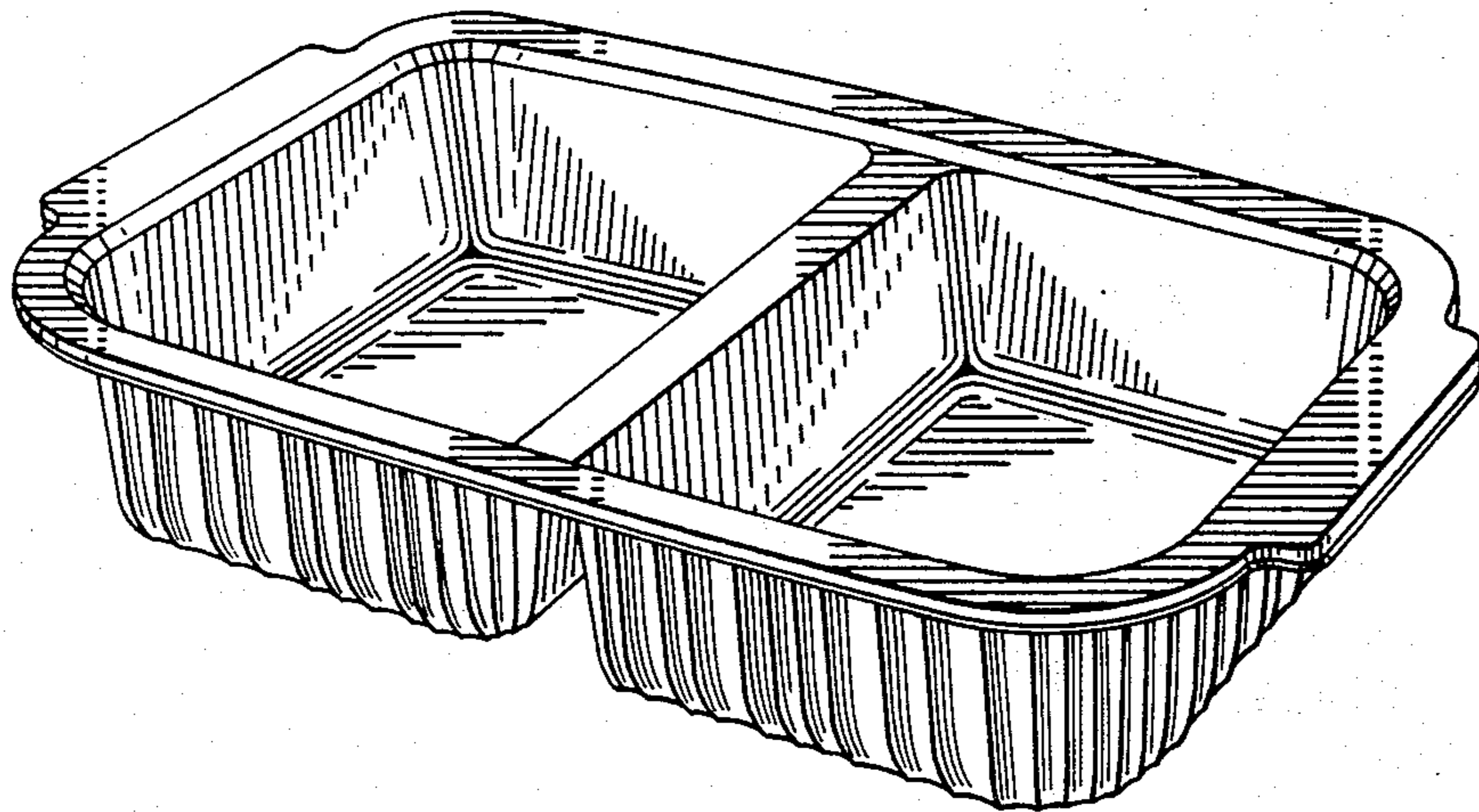


FIG. 2

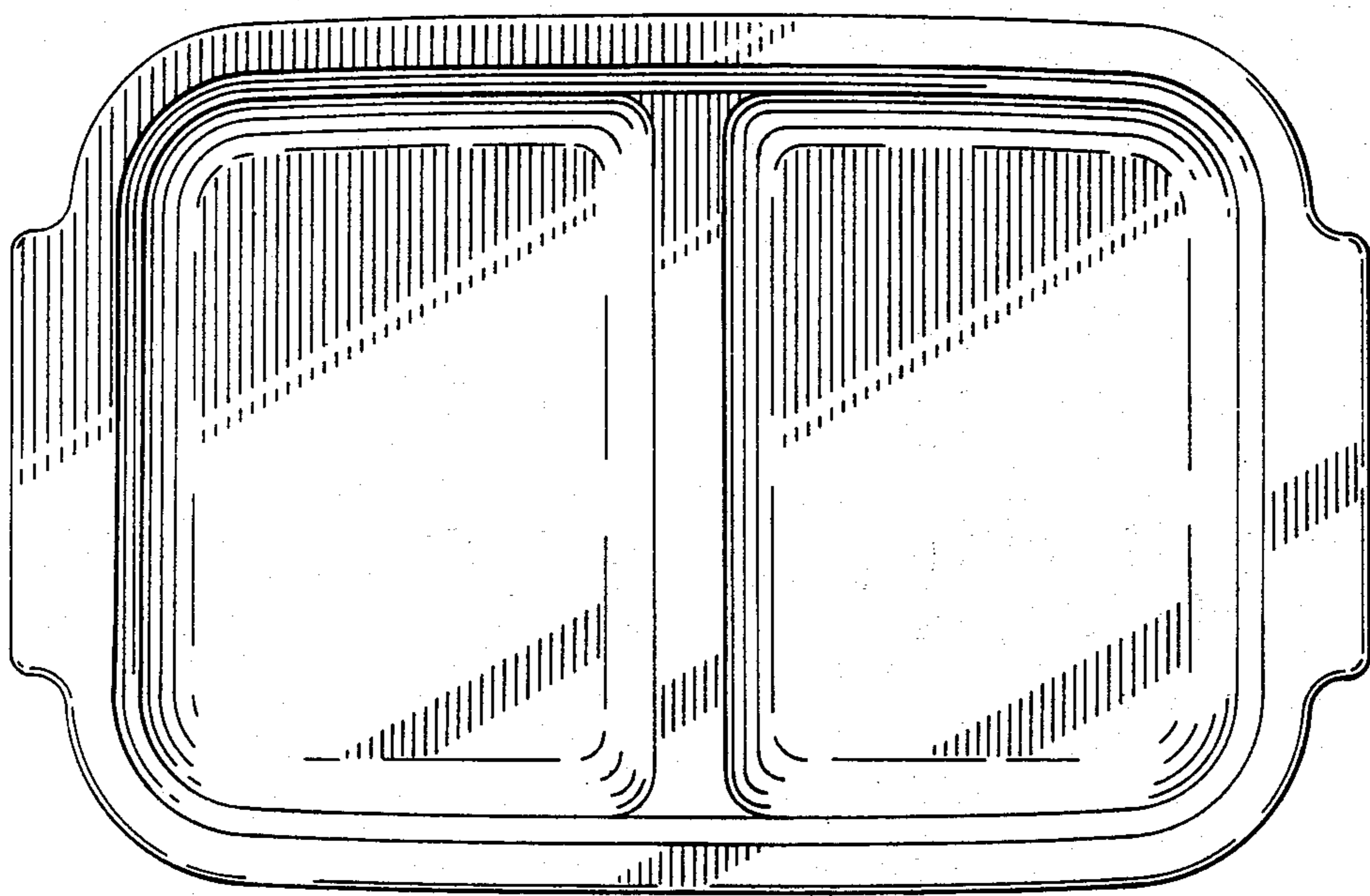


FIG. 3

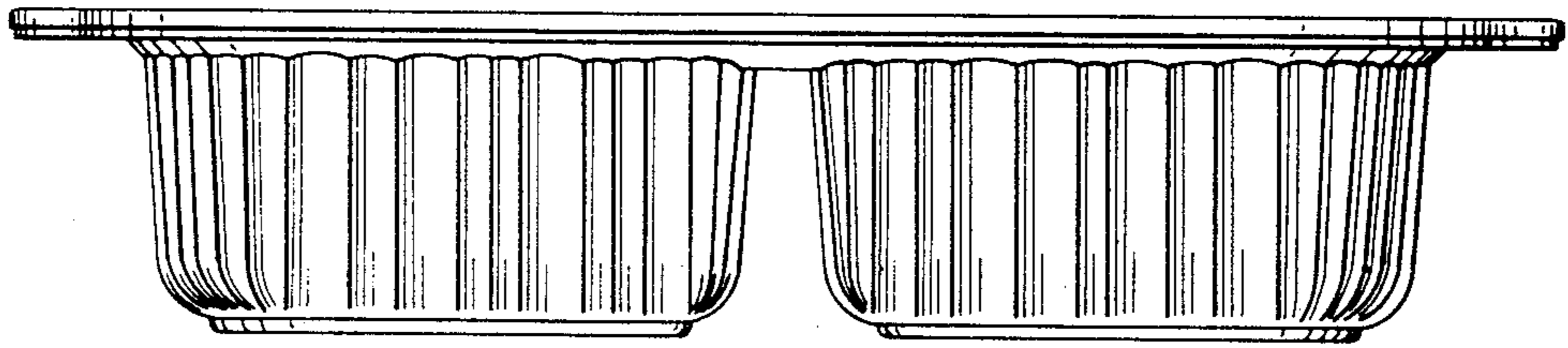


FIG. 4

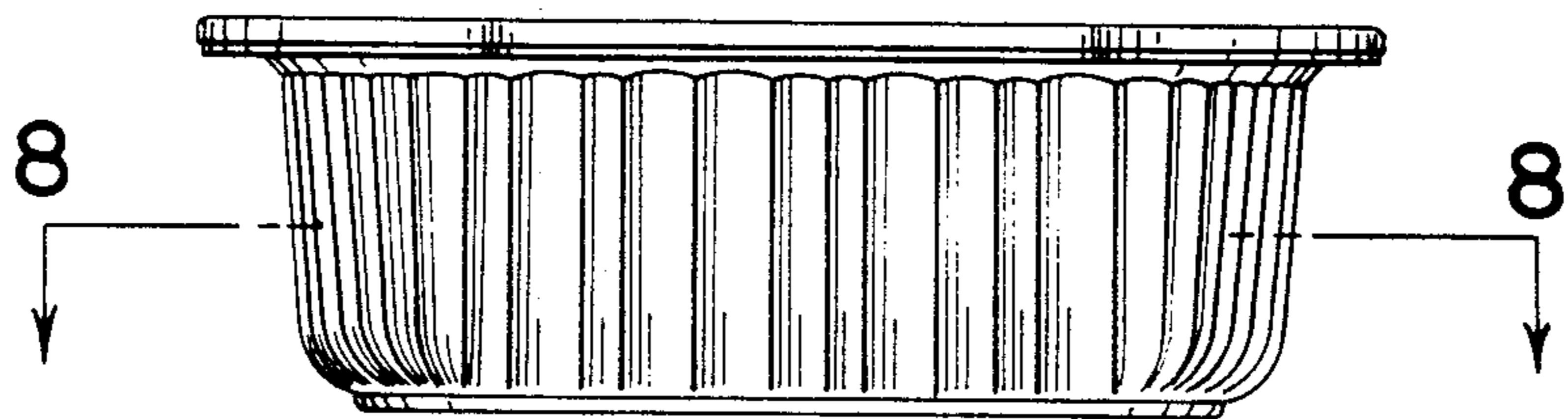
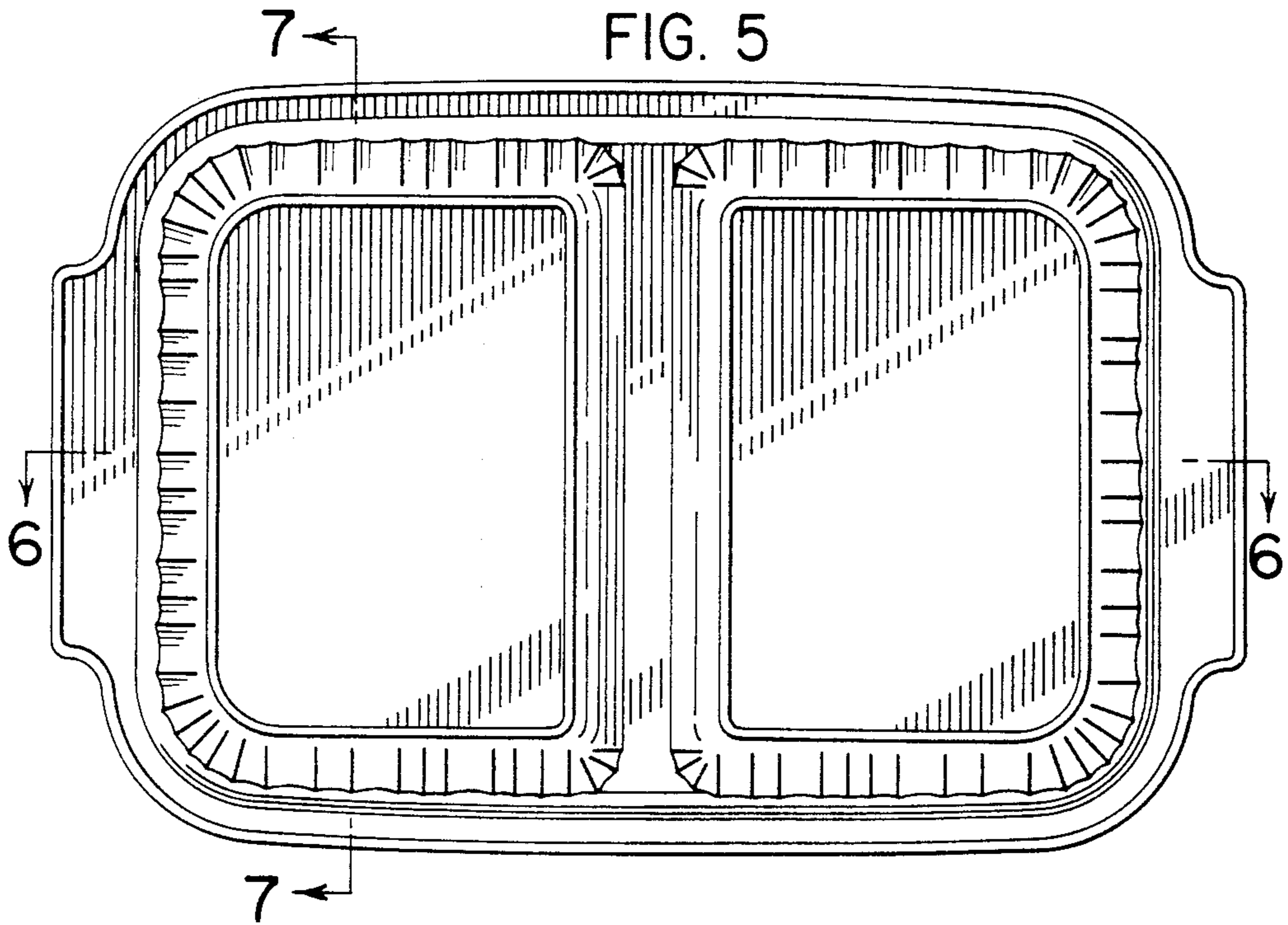


FIG. 5



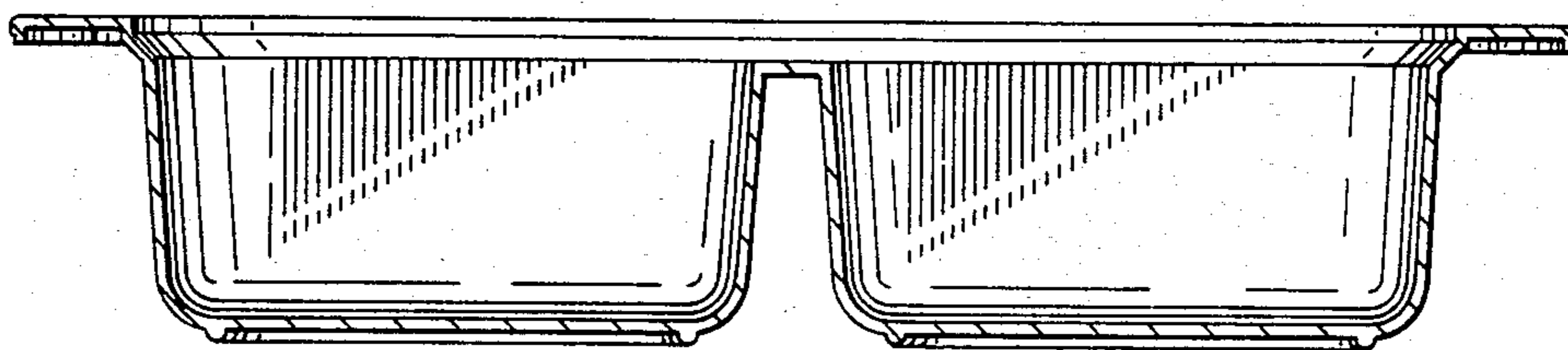


FIG. 6

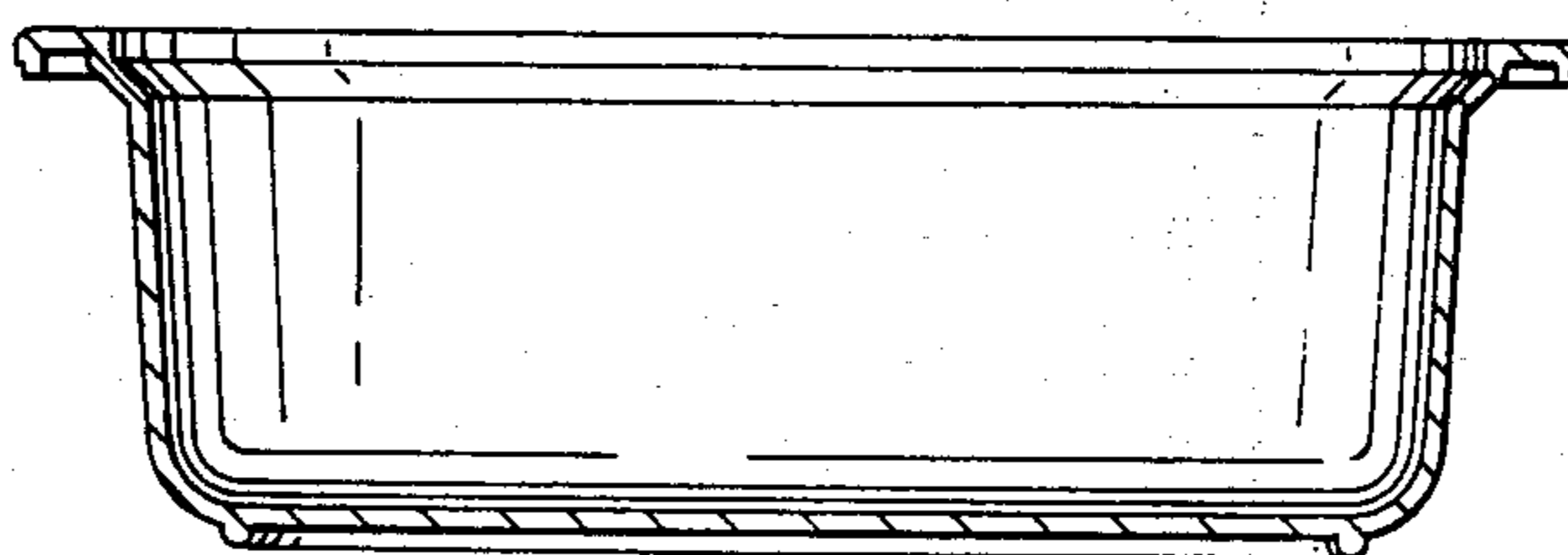


FIG. 7

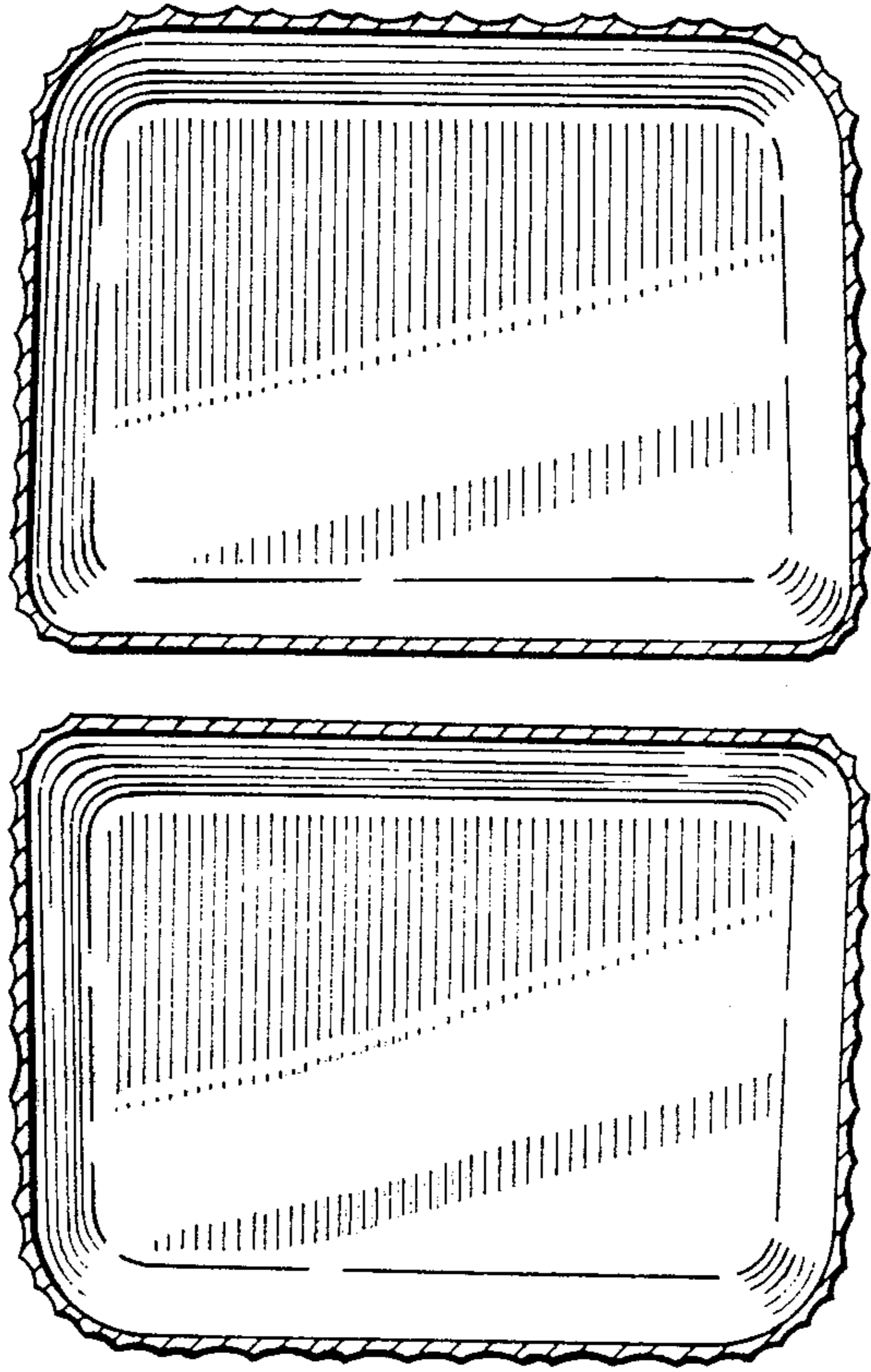


FIG. 8