

[54] NECK SUPPORT REST

[76] Inventors: Robert F. Clark, 180 George St., Rockwood, Ontario, Canada, N0B 2K0; Hugh A. Smythe, 2 Heathbridge Park Rd., Toronto, Ontario, Canada, M4G 2Y6

[**] Term: 14 Years

[21] Appl. No.: 490,240

[22] Filed: Apr. 29, 1983

[52] U.S. Cl. D6/596; D6/601

[58] Field of Search D6/595, 596, 597, 601, D6/604, 605, 606; 5/434, 436, 481, 441, 437, 465

[56] References Cited

U.S. PATENT DOCUMENTS

D. 207,315	4/1967	Radford	D6/596
D. 215,536	10/1969	Larsen	D6/601
D. 254,029	1/1980	Barbagallo	D6/601
D. 259,381	6/1981	Smith	D6/601
D. 276,938	12/1984	Pedersen	D6/601 X
2,800,165	7/1957	Talalay et al.	5/481 X
4,432,107	2/1984	Clark et al.	5/434 X

OTHER PUBLICATIONS

Bloomington's 4-Star White Sale Catalog, p. 17, left side of page.

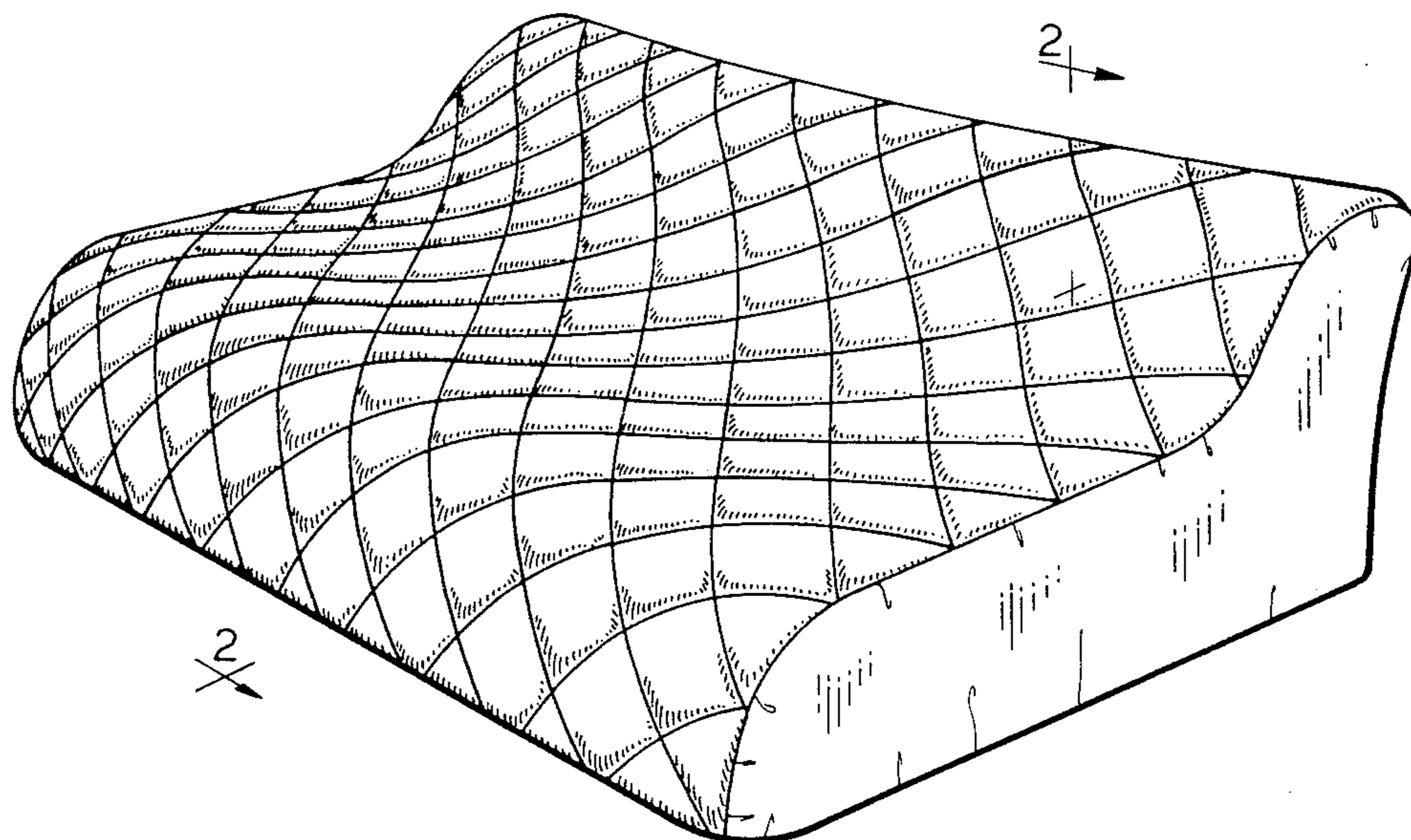
Primary Examiner—Bernard Ansher
Assistant Examiner—Theodore M. Shooman
Attorney, Agent, or Firm—Sim & McBurney

[57] CLAIM

The ornamental design for a neck support rest, as shown.

DESCRIPTION

FIG. 1 is a perspective view of a first embodiment of a neck support rest embodying our design, taken obliquely from above;
FIG. 2 is a vertical sectional view thereof;
FIG. 3 is a perspective view thereof, taken obliquely from below;
FIG. 4 is a perspective view of a second embodiment of a neck support rest embodying our design, taken obliquely from above;
FIG. 5 is a vertical sectional view thereof; and
FIG. 6 is a perspective view thereof taken obliquely from below.



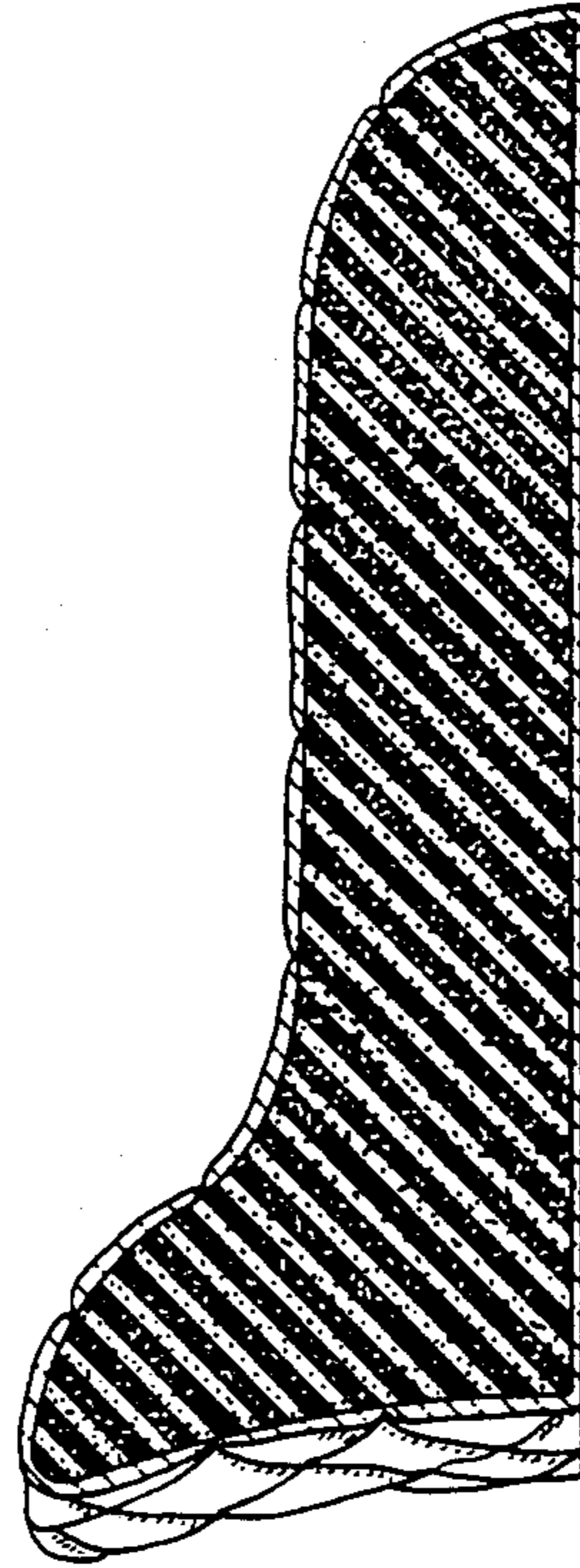
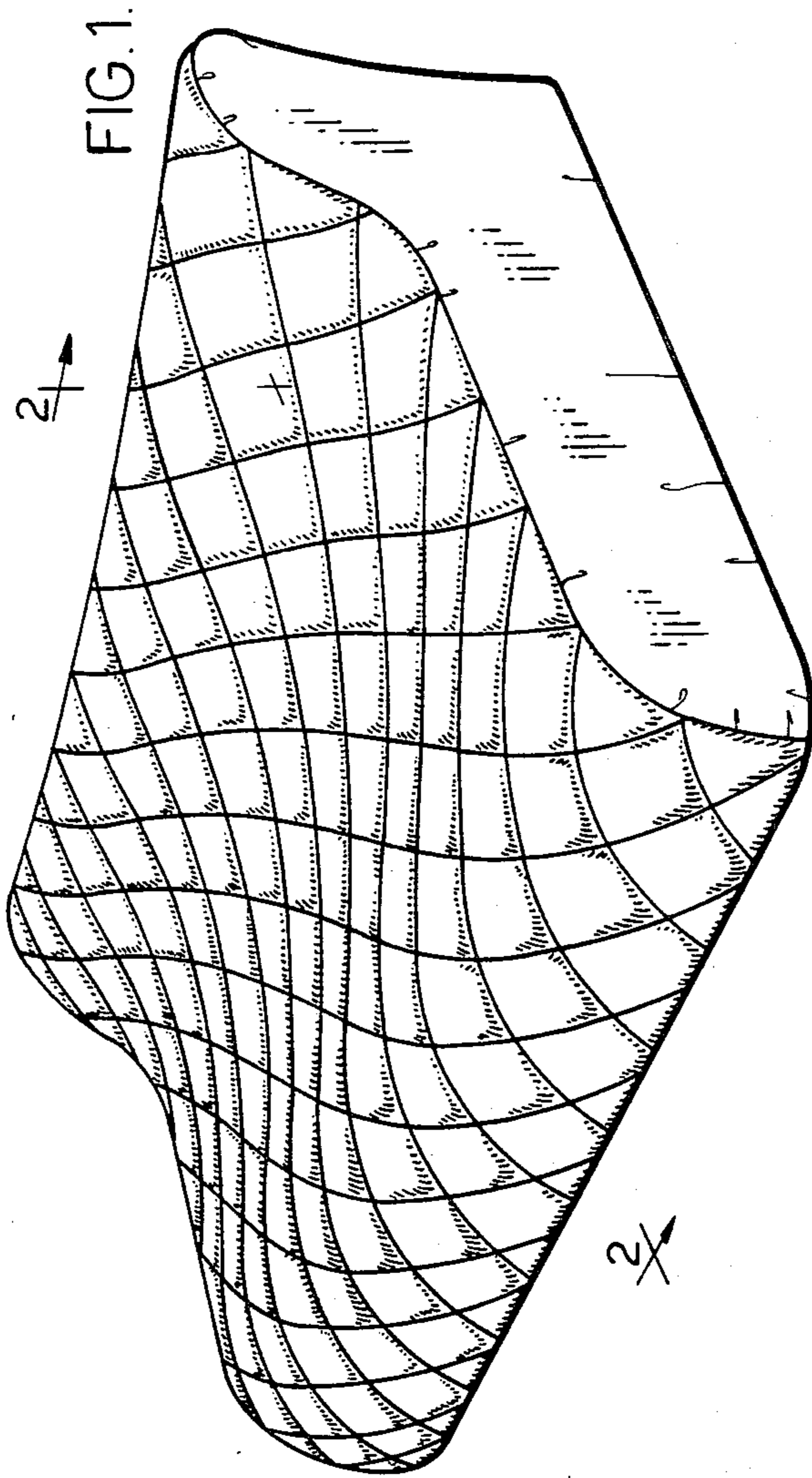
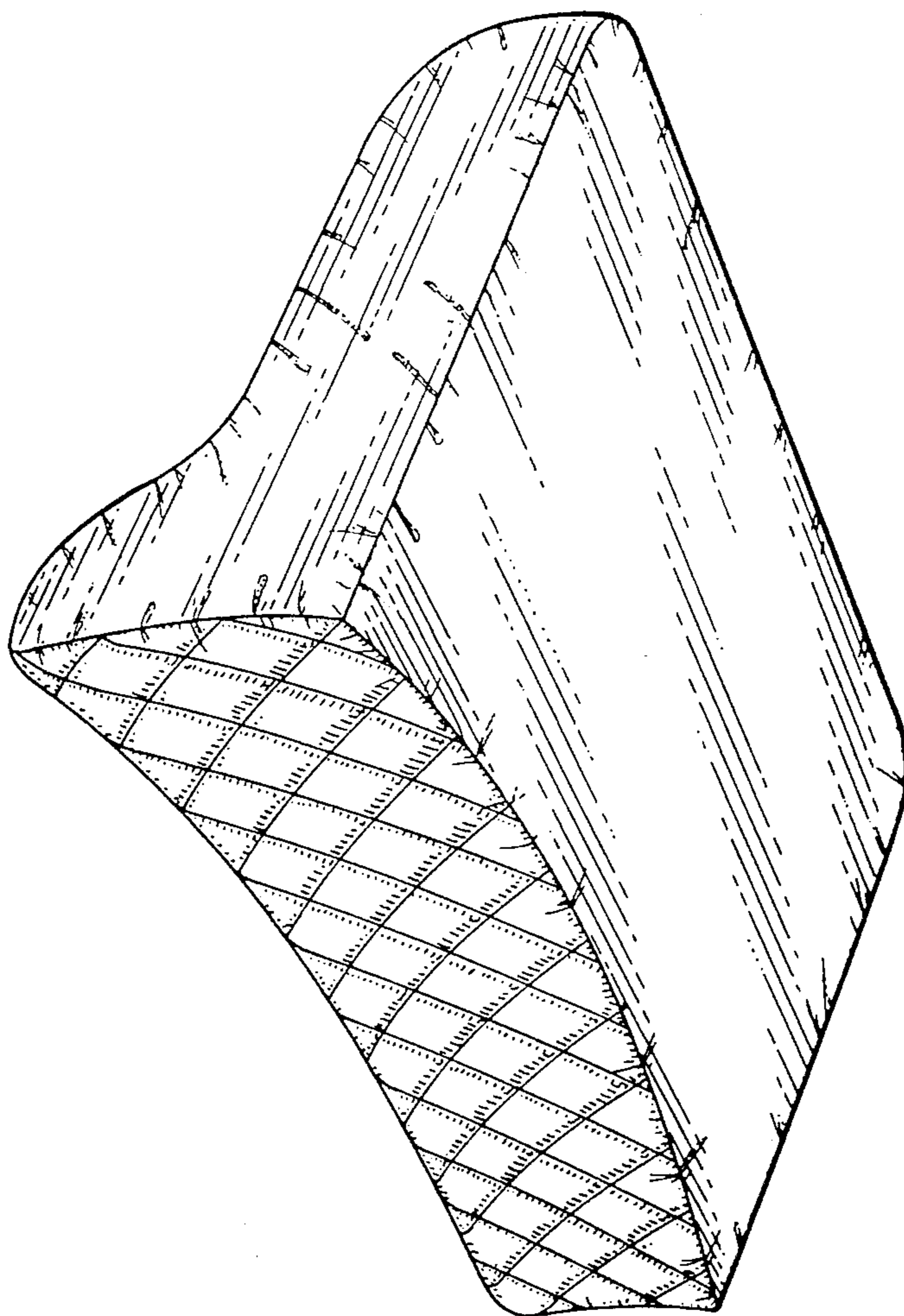


FIG. 2.

FIG. 3



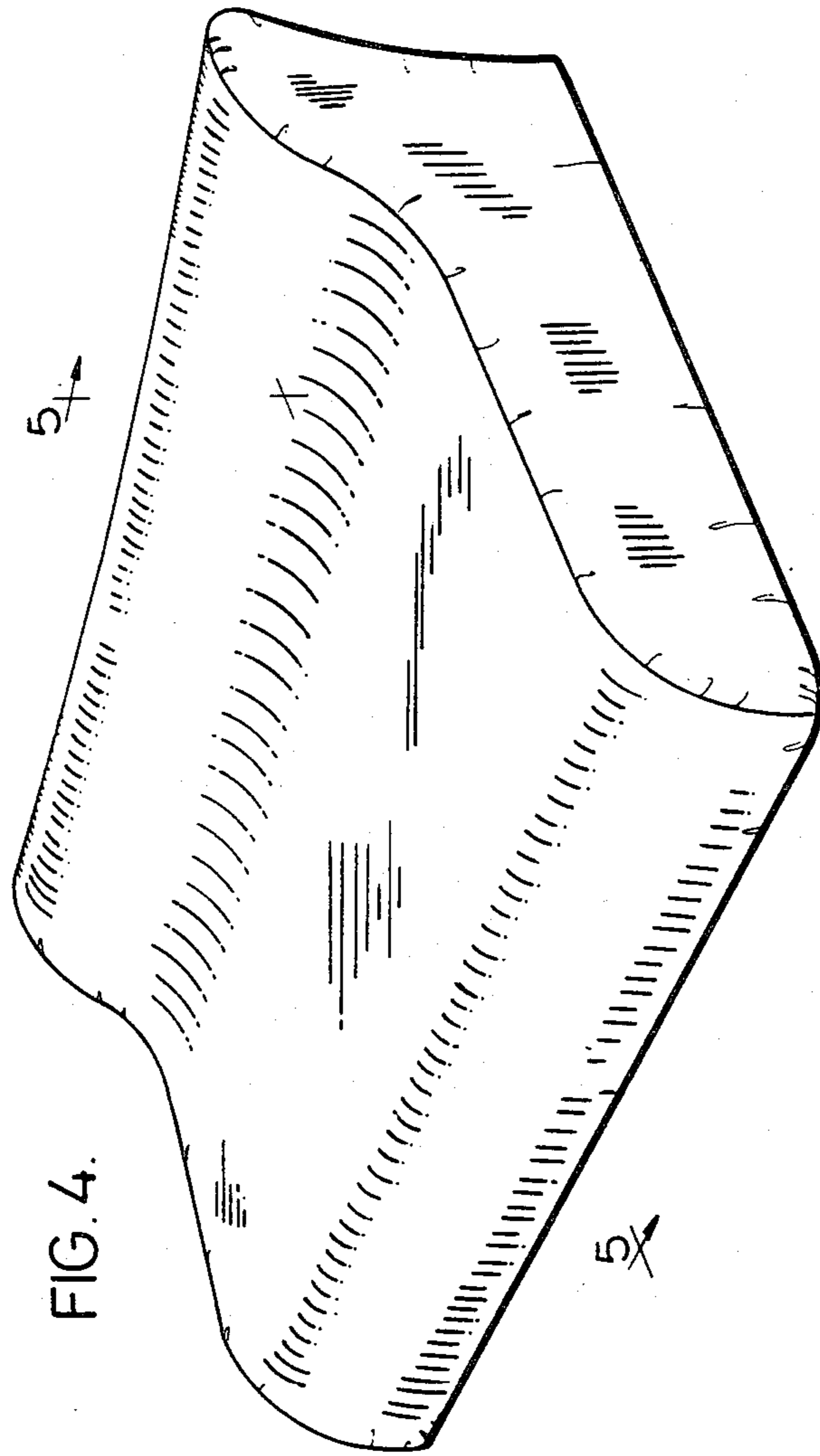


FIG. 5.

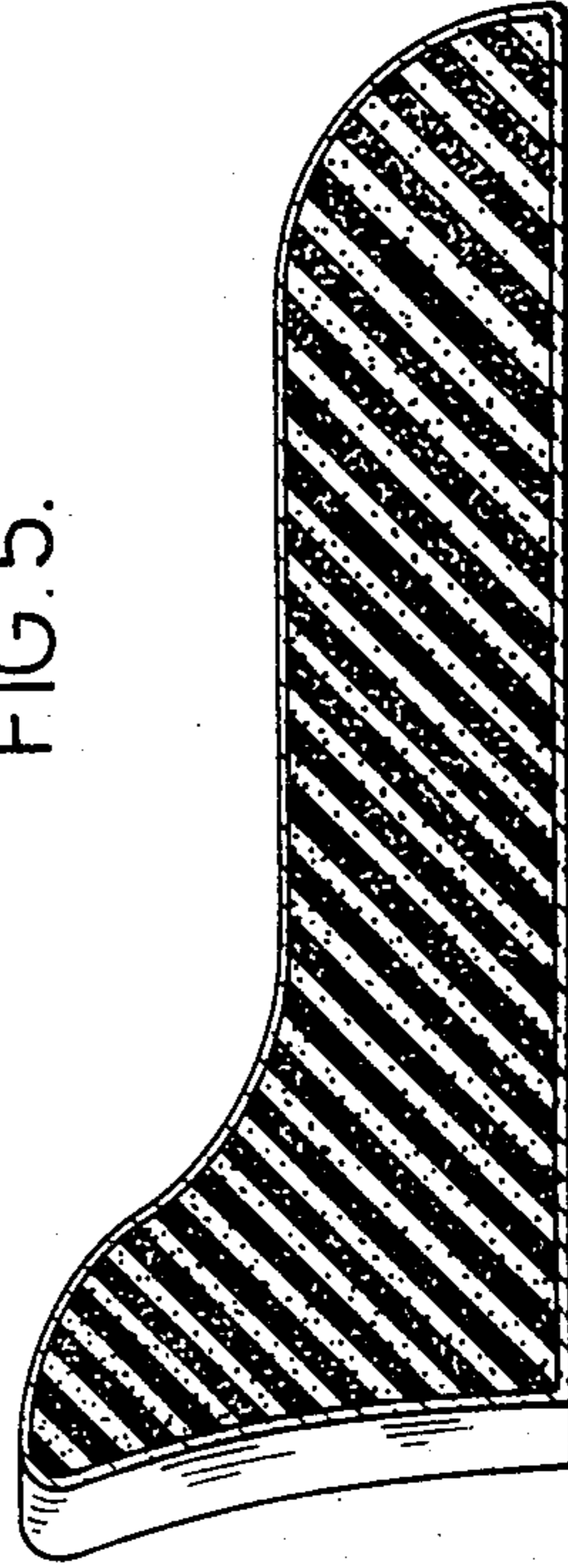


FIG. 6

