

[54] TIP-OUT WALL CONSOLE

[75] Inventors: Robert T. Morris, Bristol; Robert J. Morris, Middlebury, both of Ind.

[73] Assignee: Medallion Plastics, Inc., Middlebury, Ind.

[**] Term: 14 Years

[21] Appl. No.: 543,179

[22] Filed: Oct. 19, 1983

[52] U.S. Cl. D6/560; D6/559; D6/574

[58] Field of Search D6/449, 511, 512, 523, D6/540, 553, 559, 560, 567, 574; 312/17, 245, 246, 248-252, 270, 326-329; 211/87, 88

[56] References Cited

U.S. PATENT DOCUMENTS

D. 120,982	6/1940	Bernikow	D6/540
D. 242,588	12/1976	Hewak	D6/540
3,490,601	1/1970	Hain et al.	312/248
3,496,889	2/1970	Protzmann et al.	312/245
3,574,434	4/1971	Propst	312/245
3,756,453	9/1973	Griffioen et al.	312/248

OTHER PUBLICATIONS

Custom-Aire Products Division Pacific Industries, Inc., 9/4/1959, p. 1, Wall Desk in cover part of page.

Primary Examiner—B. J. Bullock
Assistant Examiner—Suzanne N. Gitlin
Attorney, Agent, or Firm—James D. Hall

[57] CLAIM

The ornamental design for a wall console, as shown and described.

DESCRIPTION

FIG. 1 is a front and left side perspective view of a tip-out wall console with the shelf in closed position showing our new design;
FIG. 2 is a front elevational view thereof;
FIG. 3 is a side elevational view taken from the right of FIG. 1;
FIG. 4 is a top plan view thereof;
FIG. 5 is a rear elevational view thereof;
FIG. 6 is a bottom plan view thereof;
FIG. 7 is a front and left side perspective view with the shelf in open position.

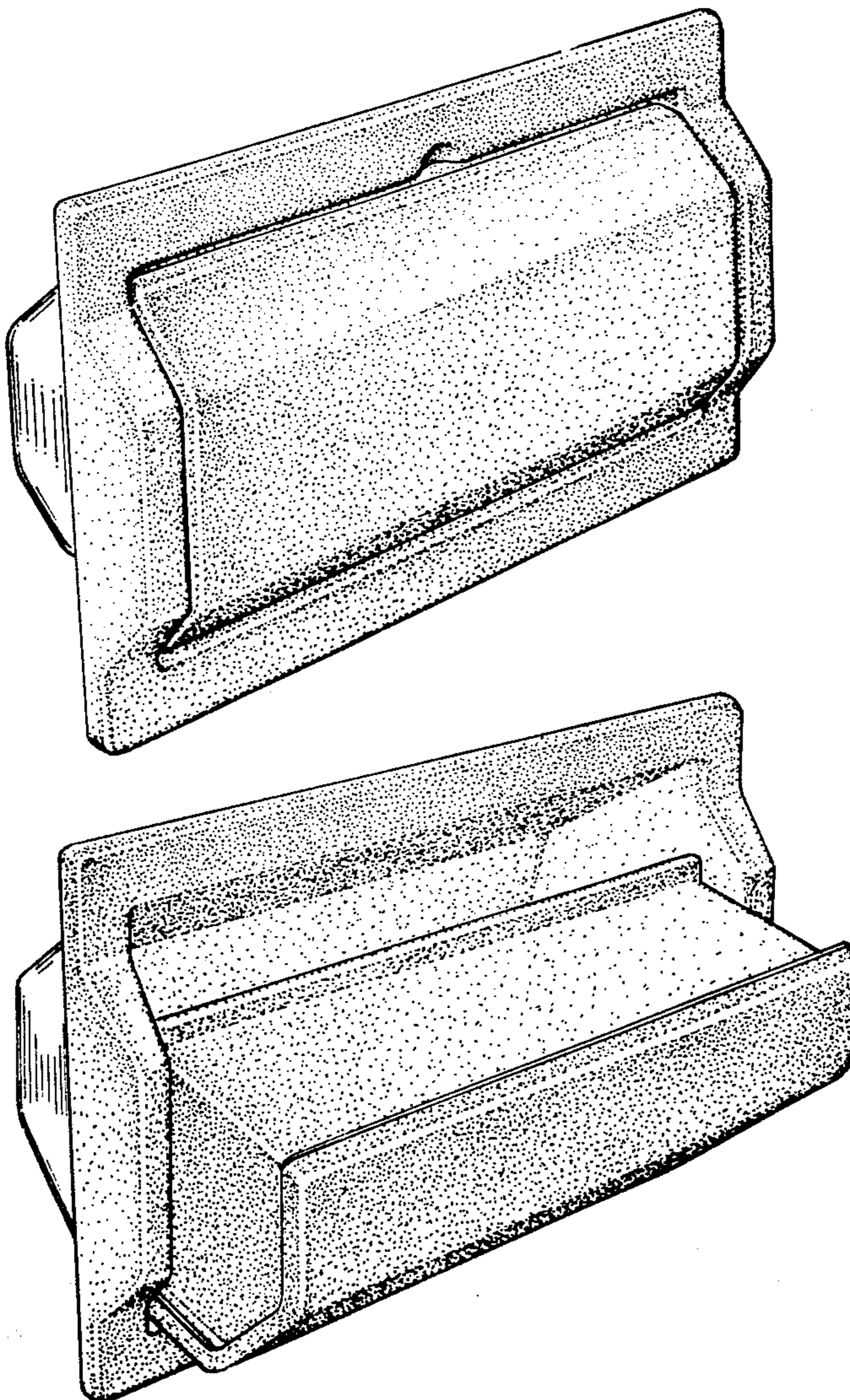


Fig. 1

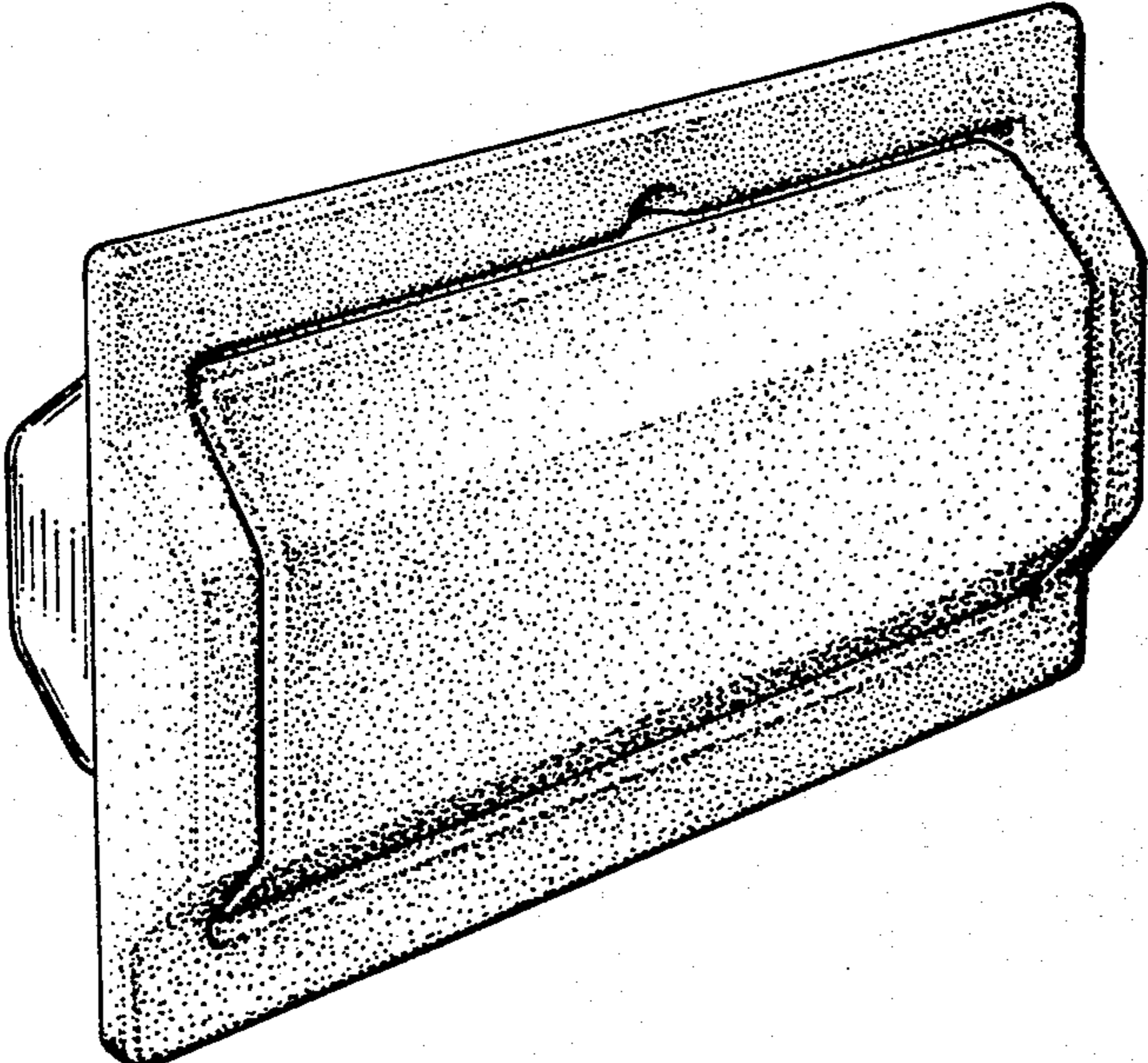


Fig. 2

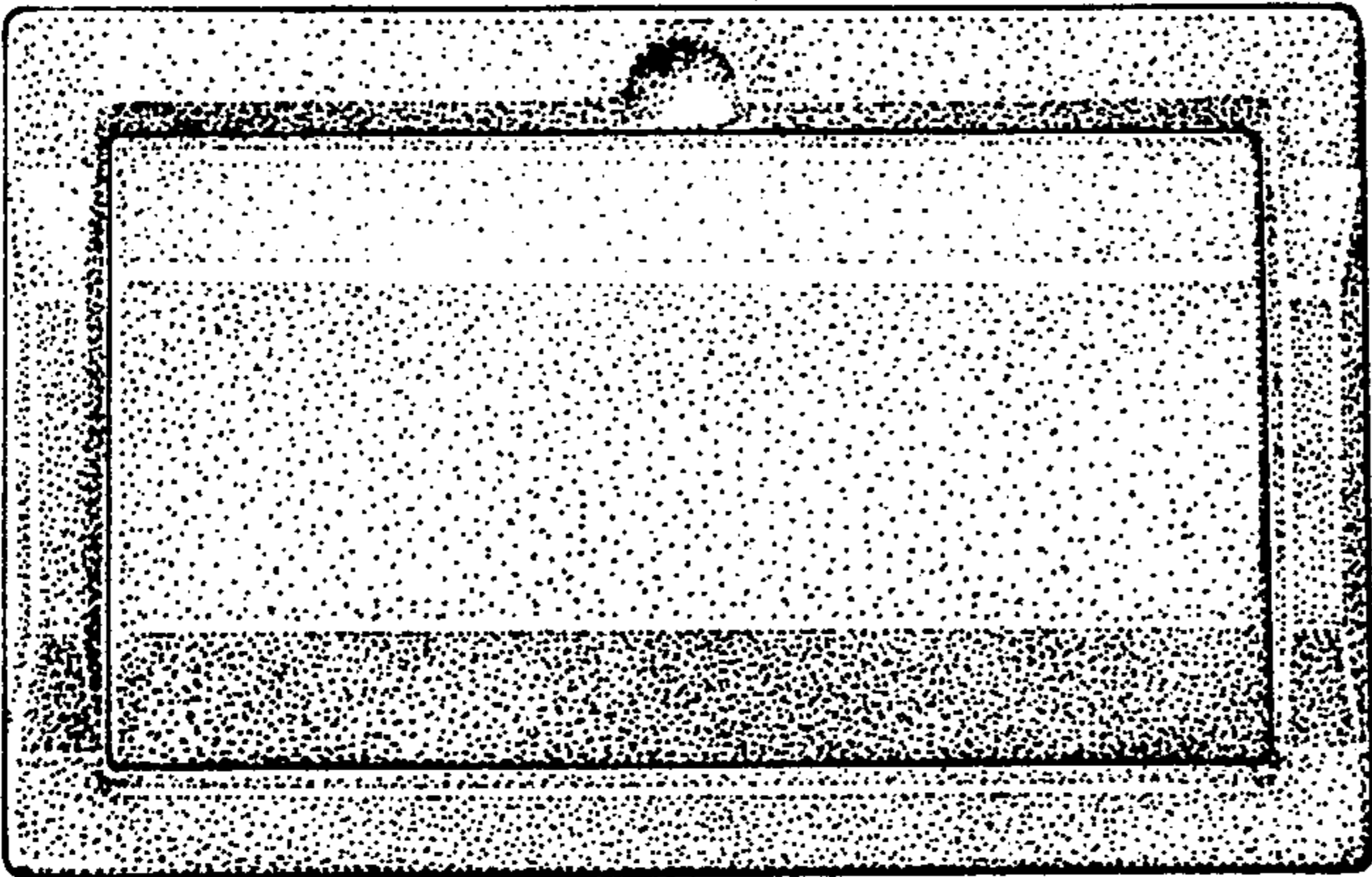


Fig. 3

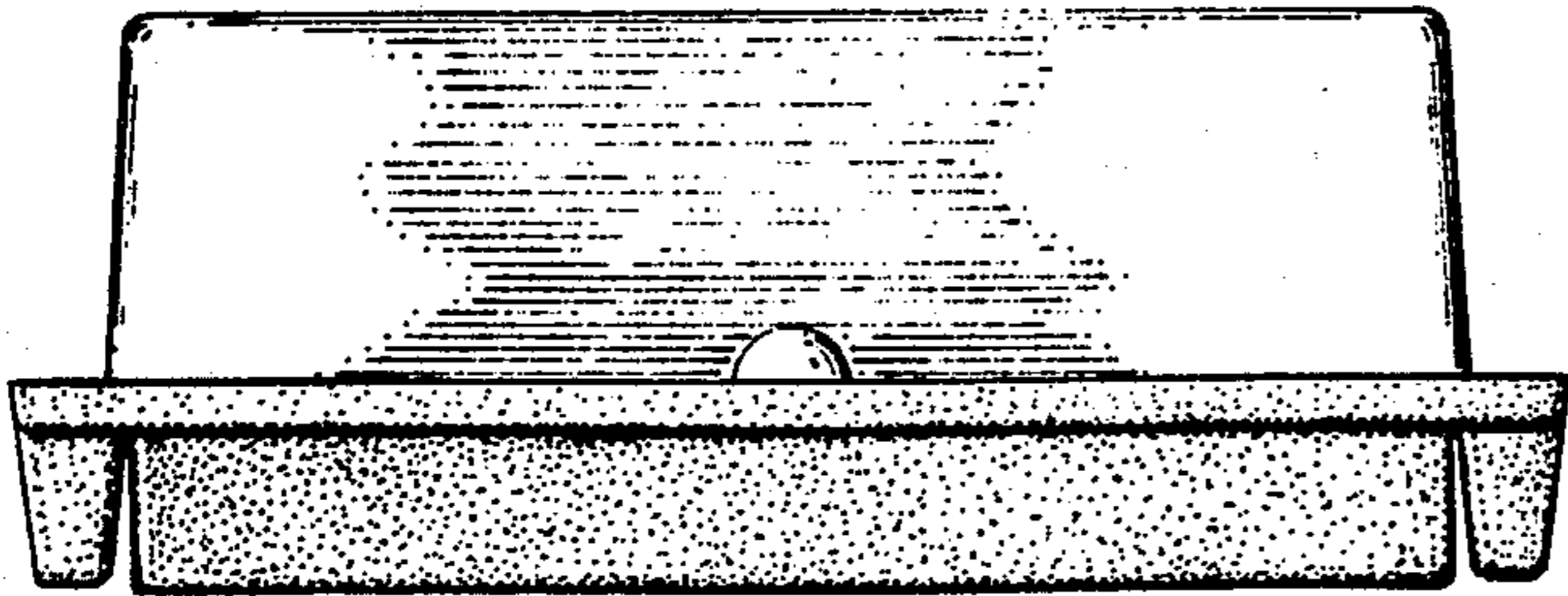
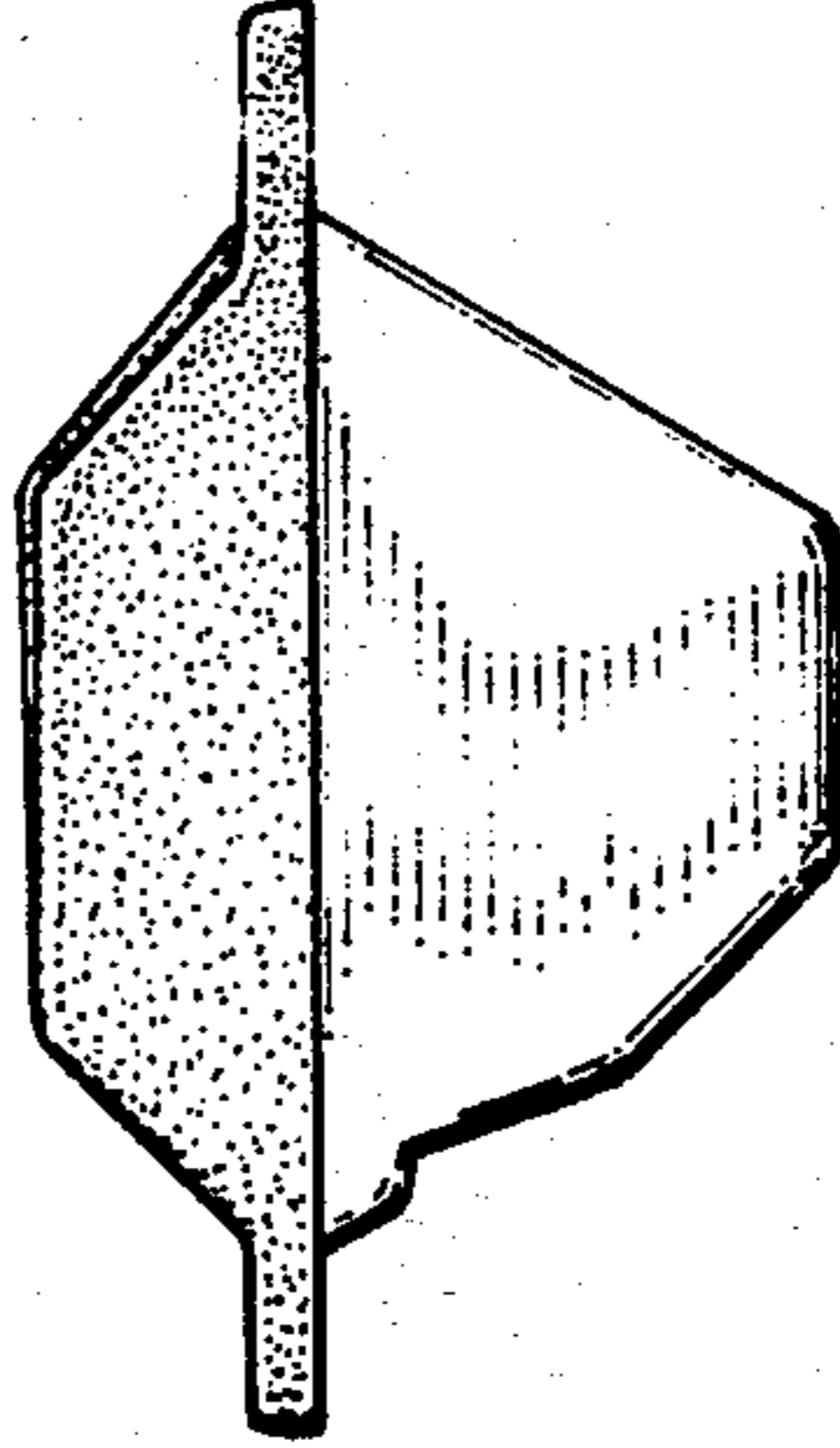


Fig. 4

Fig. 5

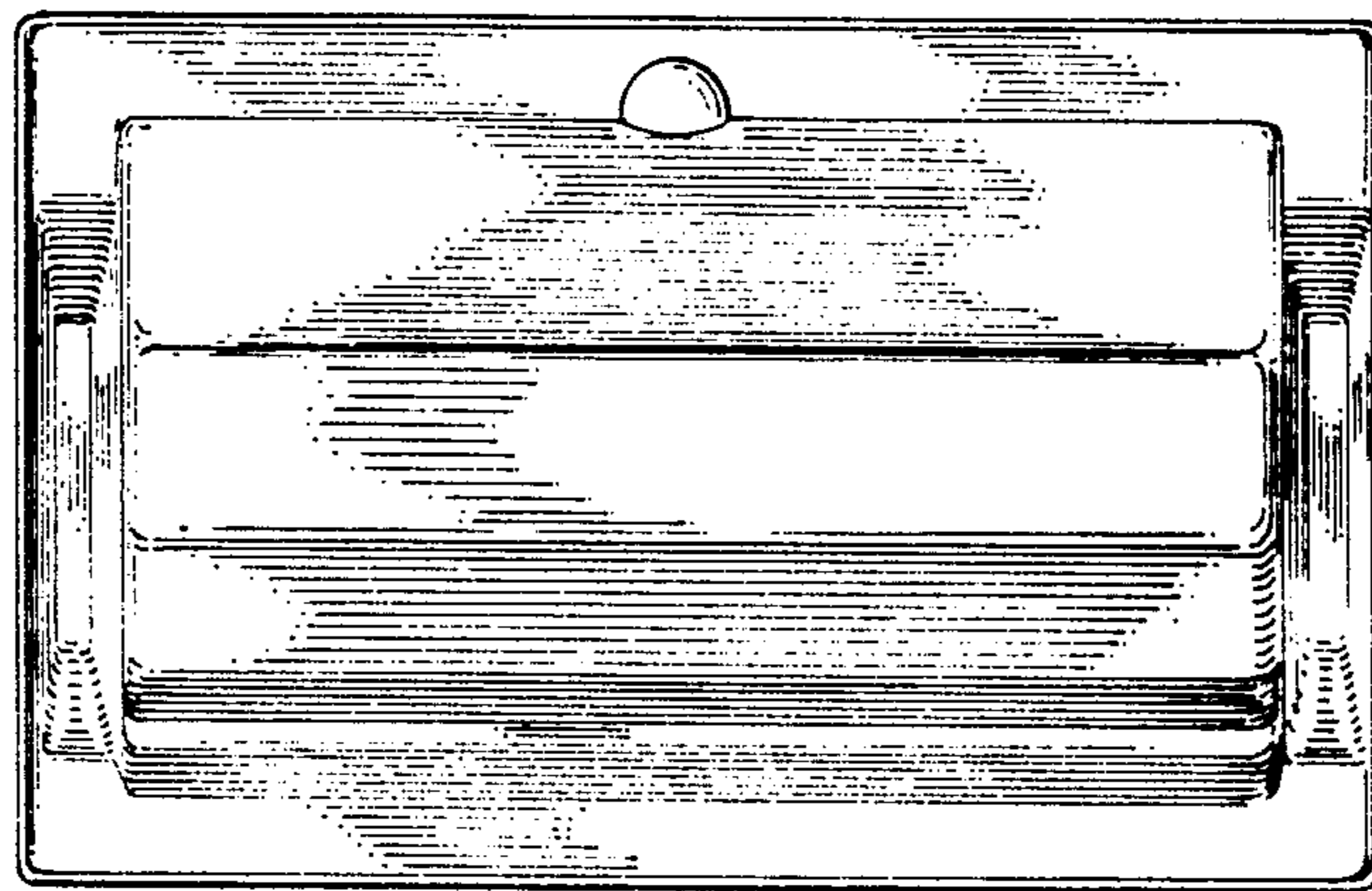


Fig. 6

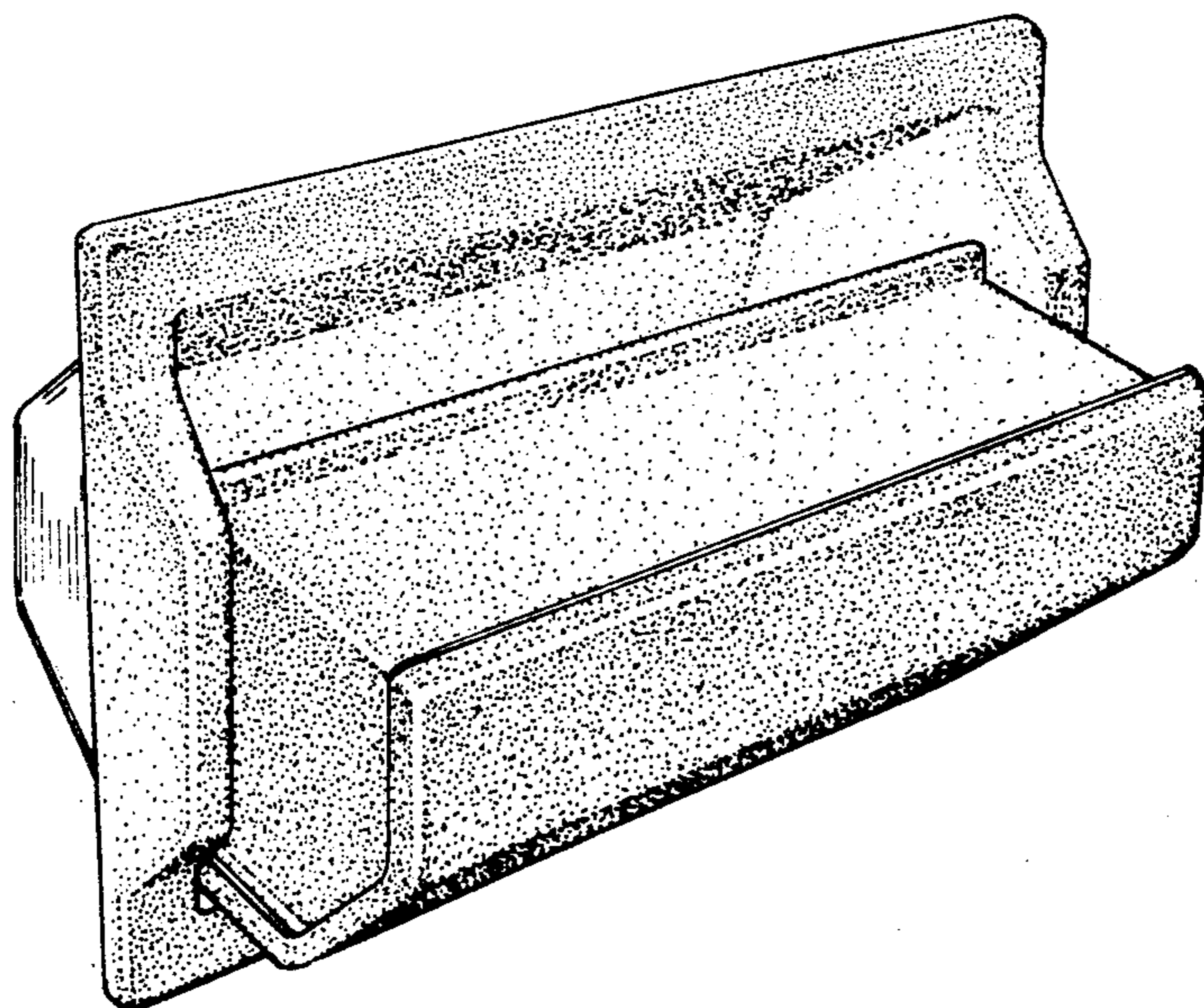
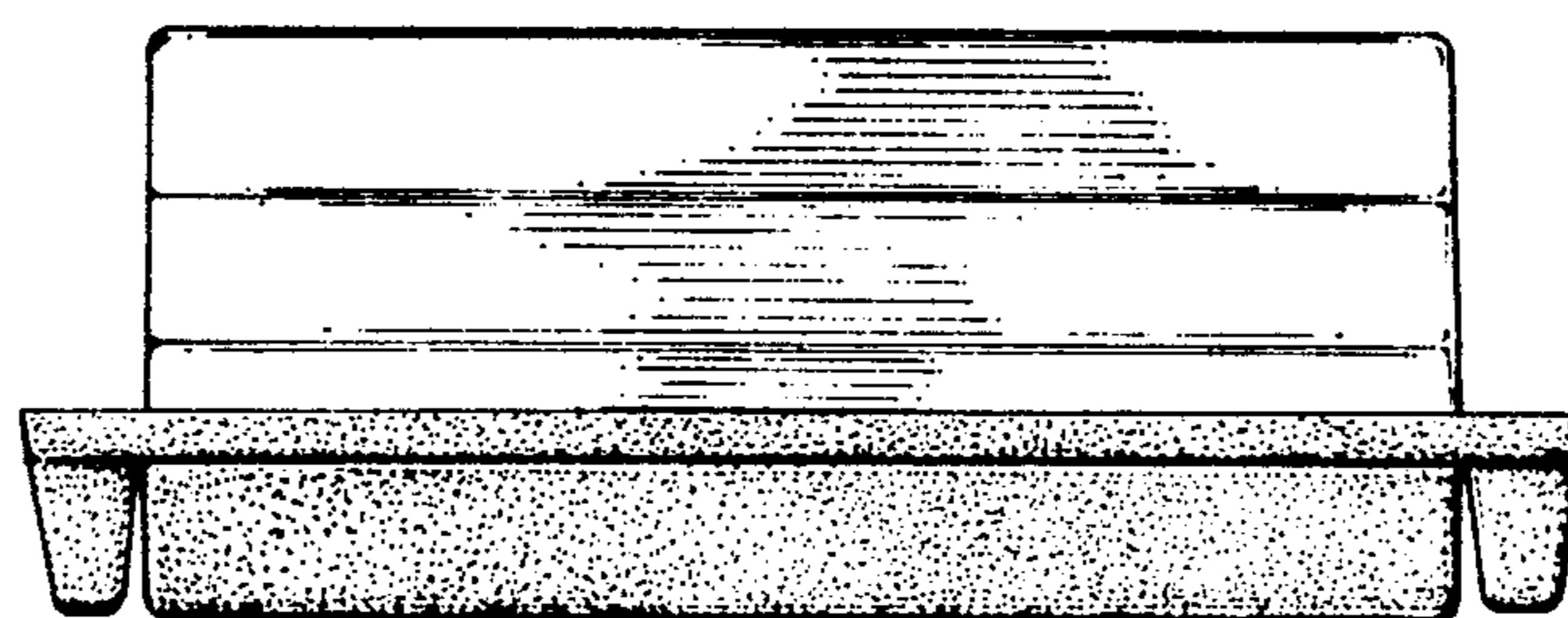


Fig. 7