

[54] DISPENSER FOR METAL FOIL, PAPER OR THE LIKE

[76] Inventor: Zvi Beckerman, 6919 Lakeview La., Doraville, Ga. 30340

[\*\*] Term: 14 Years

[21] Appl. No.: 608,492

[22] Filed: May 9, 1984

[52] U.S. Cl. .... D6/520

[58] Field of Search ..... D6/518, 519, 520, 521, D6/522, 523, 553; 206/233, 391, 394; 221/41, 45, 282; 242/55.2, 55.3, 55.42, 55.53, 55.54, 56 R, 56 B; 312/37-39, 40, 42, 242, 245; 225/106

[56] References Cited

U.S. PATENT DOCUMENTS

- D. 201,912 8/1965 Simpkins ..... D6/520
- D. 219,168 11/1970 Chase ..... D6/520
- D. 225,267 11/1972 Roisman ..... D6/520

- D. 273,063 3/1984 Gatward ..... D6/518
- 3,570,731 3/1971 Waltz ..... 242/55.54

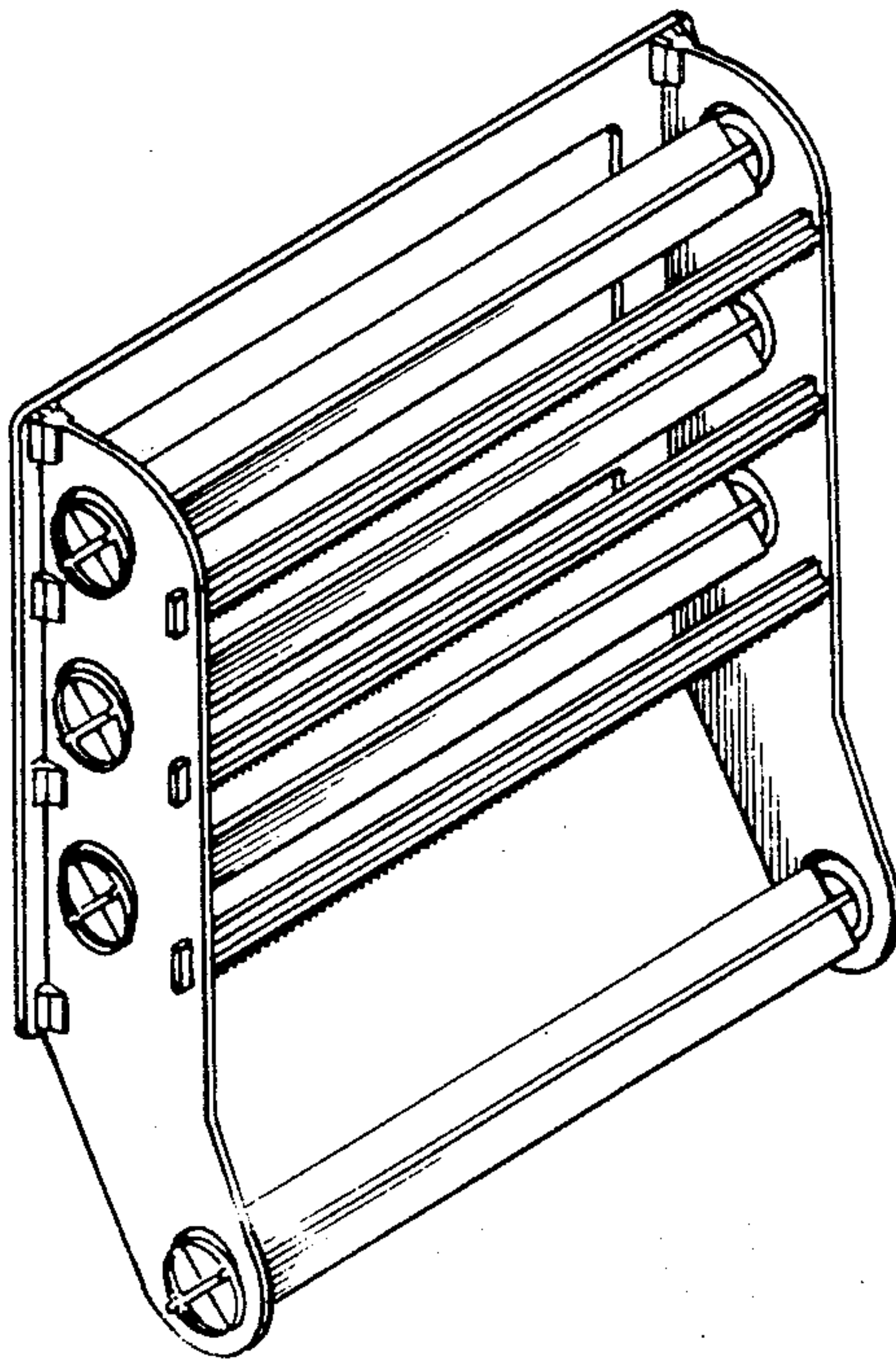
Primary Examiner—Wallace R. Burke  
Assistant Examiner—Suzanne N. Gitlin  
Attorney, Agent, or Firm—Sumner C. Rosenberg;  
William H. Needle

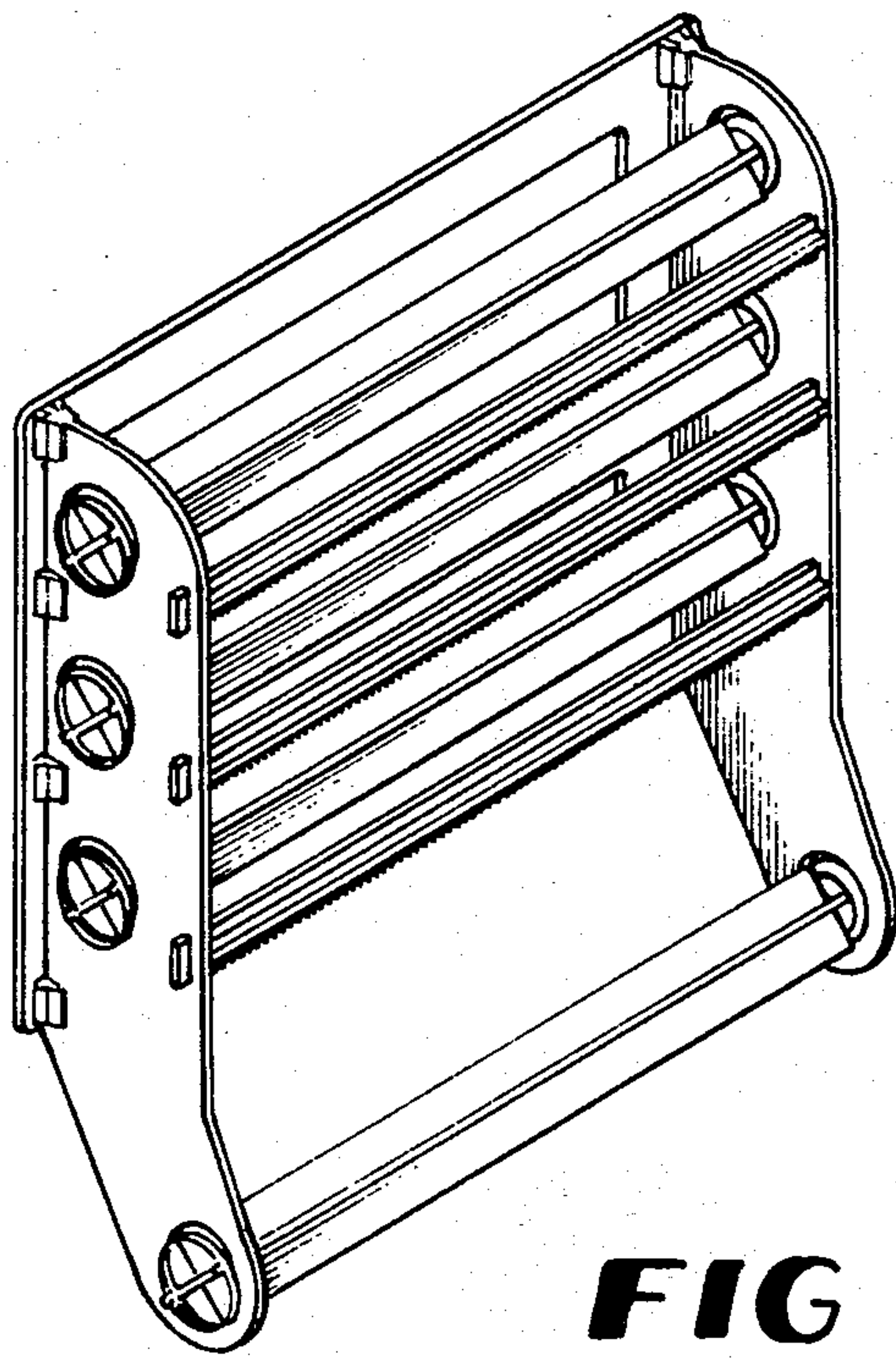
[57] CLAIM

The ornamental design for a dispenser for metal foil paper or the like, as shown.

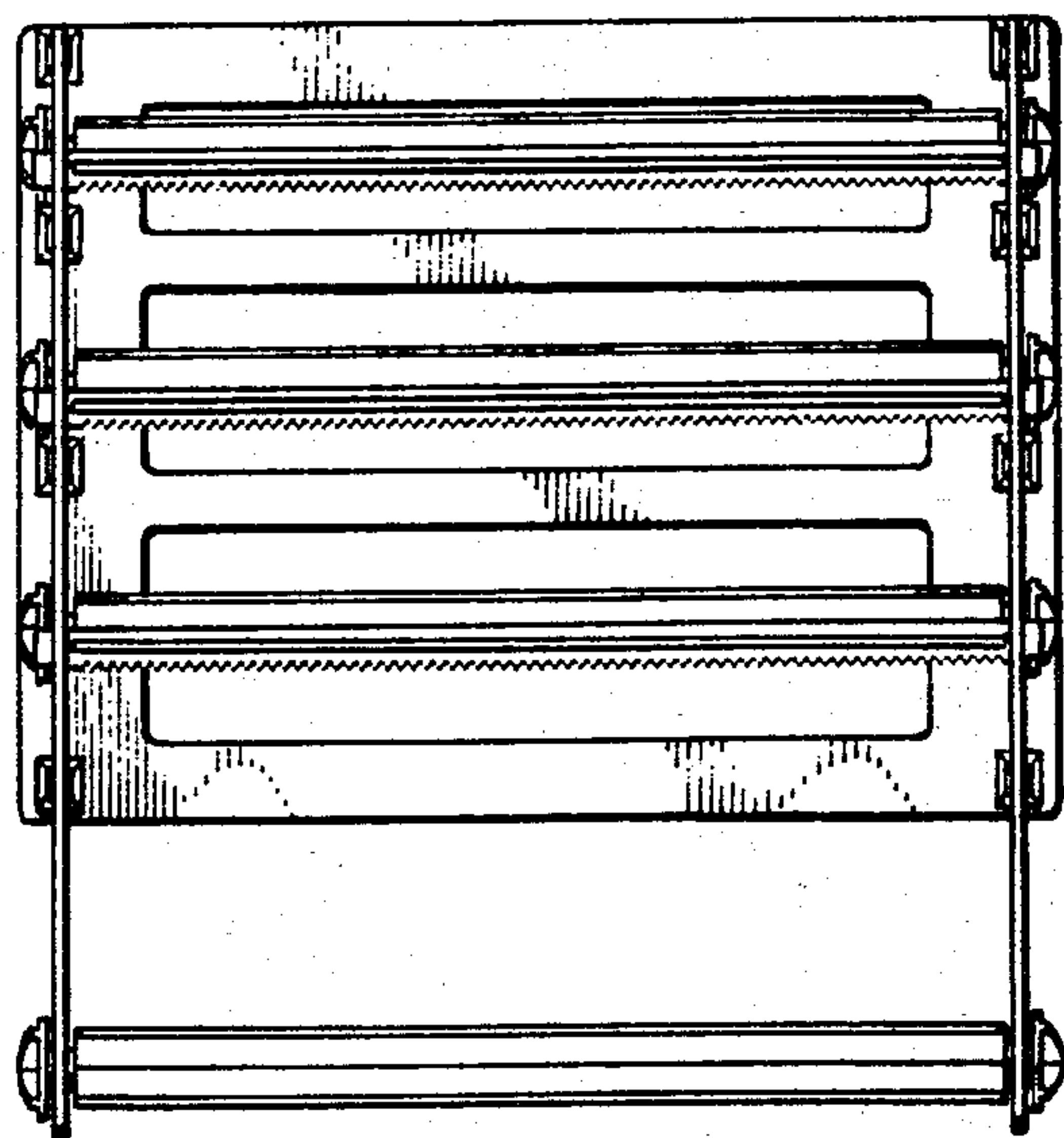
DESCRIPTION

FIG. 1 is a perspective view of a wrapping holder showing my new design.  
FIG. 2 is a front elevational view of FIG. 1.  
FIG. 3 is a side elevational view taken from the left of FIG. 1, the opposite side being a mirror image;  
FIG. 4 is a top plan view of FIG. 2.  
FIG. 5 is a rear elevational view of FIG. 2.  
FIG. 6 is a bottom plan view of FIG. 2.

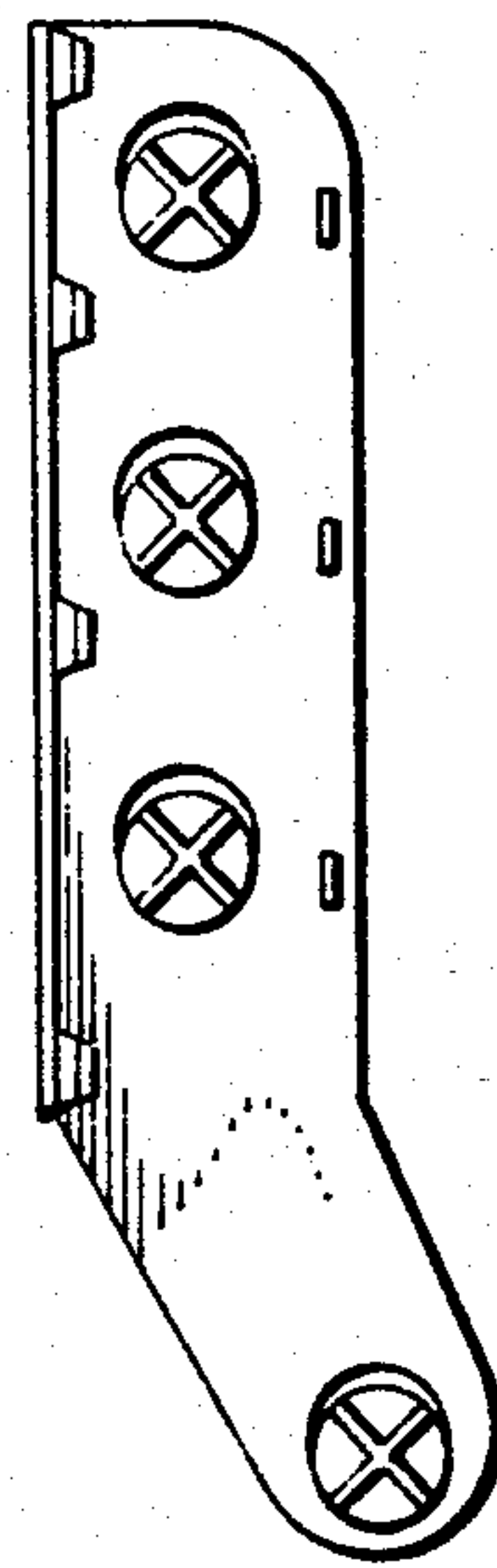




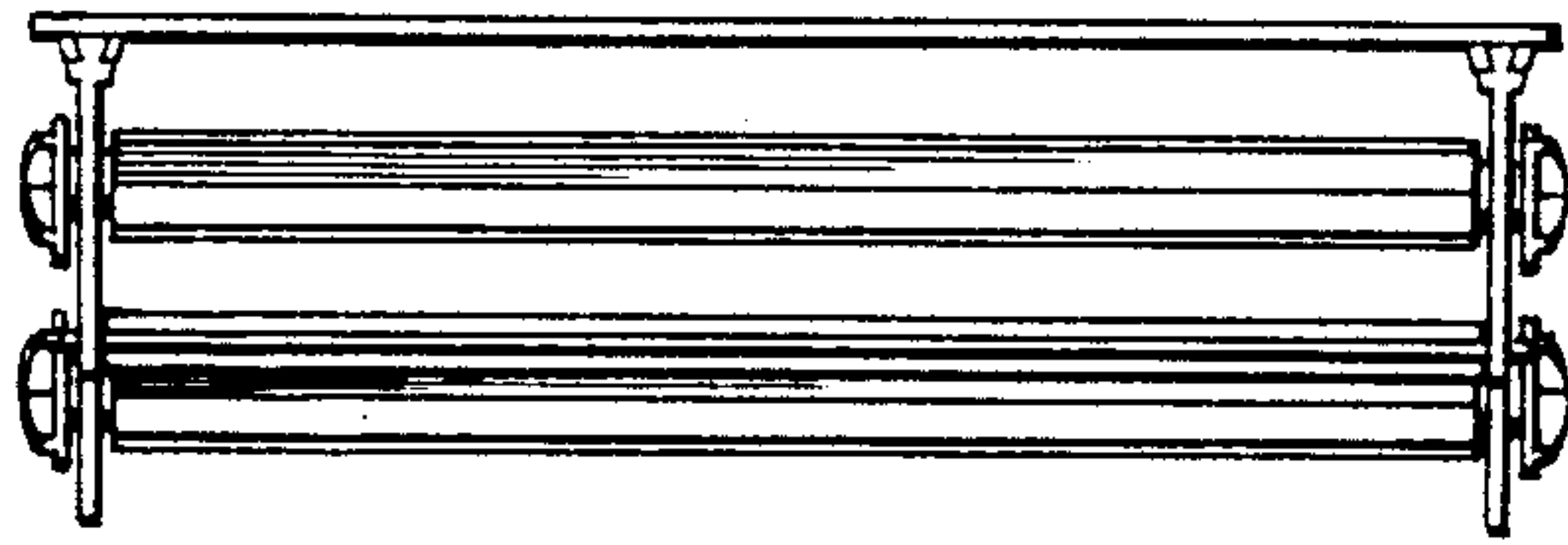
**FIG 1**



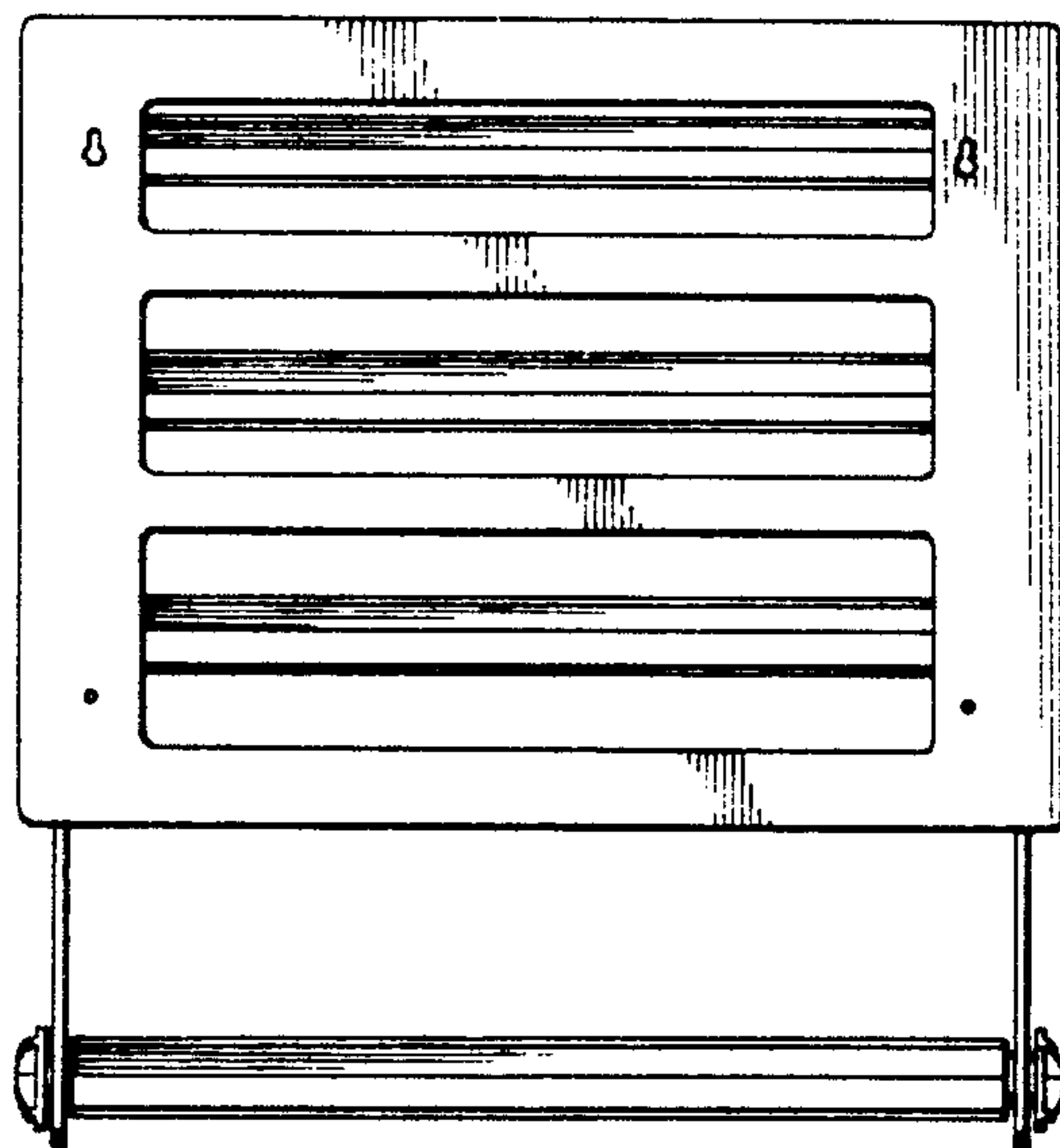
**FIG 2**



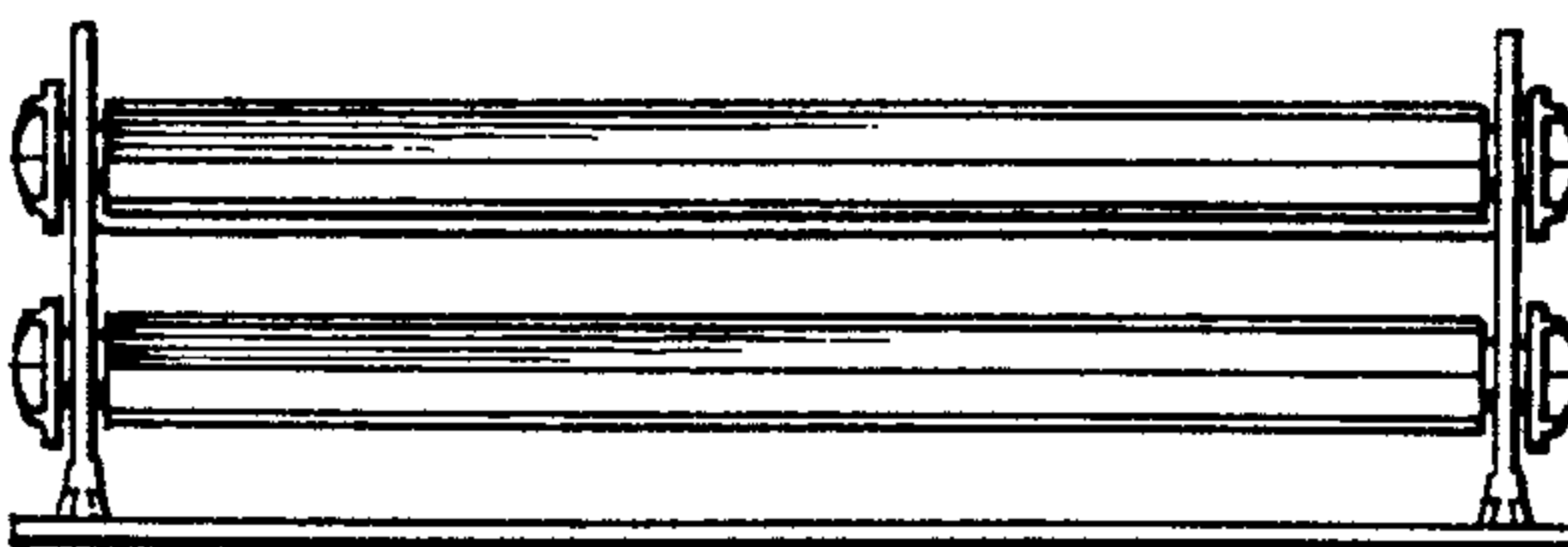
**FIG 3**



**FIG 4**



**FIG 5**



**FIG 6**